



US00D370251S

United States Patent [19]
Nakahara

[11] **Patent Number: Des. 370,251**

[45] **Date of Patent: **May 28, 1996**

[54] **PROTECTIVE CAP FOR A VALVE ON A GAS CYLINDER**

3,285,418 11/1966 Miller 20/724 X
4,521,676 6/1985 Poulsen 220/724 X
5,429,152 7/1995 Van Straaten et al. 220/724 X

[75] Inventor: **Toshiaki Nakahara**, Kobe, Japan

Primary Examiner—Stella Reid
Assistant Examiner—Eric Watterson
Attorney, Agent, or Firm—Schweitzer Cornman & Gross

[73] Assignee: **Miyata Seisakusho Co., Ltd.**, Hyogo, Japan

[**] Term: **14 Years**

[57] **CLAIM**

[21] Appl. No.: **28,763**

The ornamental design for the protective cap for a valve on a gas cylinder, as shown and described.

[22] Filed: **Sep. 22, 1994**

DESCRIPTION

[52] **U.S. Cl.** **D23/260**

[58] **Field of Search** D23/233–237,
D23/244–249, 260; D10/46, 99, 100, 103;
137/377, 382; 220/724, 726; 73/273, 277,
431

FIG. 1 is a top plan view of the protective cap for a valve on a gas cylinder;
FIG. 2 is a front elevational view;
FIG. 3 is a rear elevational view;
FIG. 4 is a bottom plan view;
FIG. 5 is a right elevational view;
FIG. 6 is a left elevational view;
FIG. 7 is a cross-sectional view taken along line VII—VII of FIG. 1; and,
FIG. 8 is a perspective view.

[56] **References Cited**

U.S. PATENT DOCUMENTS

D. 22,349 4/1893 Chrisman D10/99
D. 294,171 2/1988 Kostanecki et al. D23/260
D. 295,839 5/1988 O'Brien et al. D10/103

1 Claim, 4 Drawing Sheets

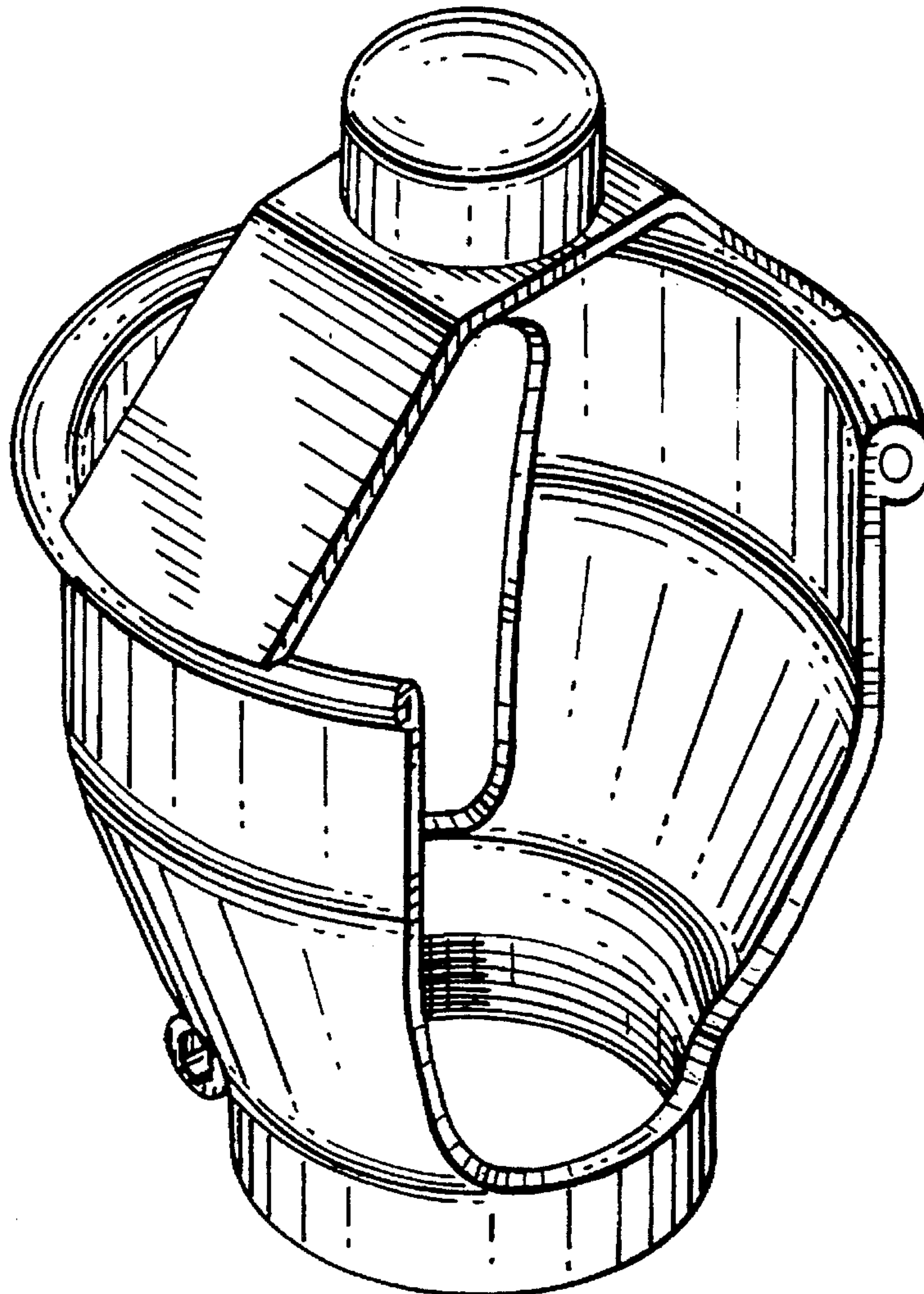


FIG.1

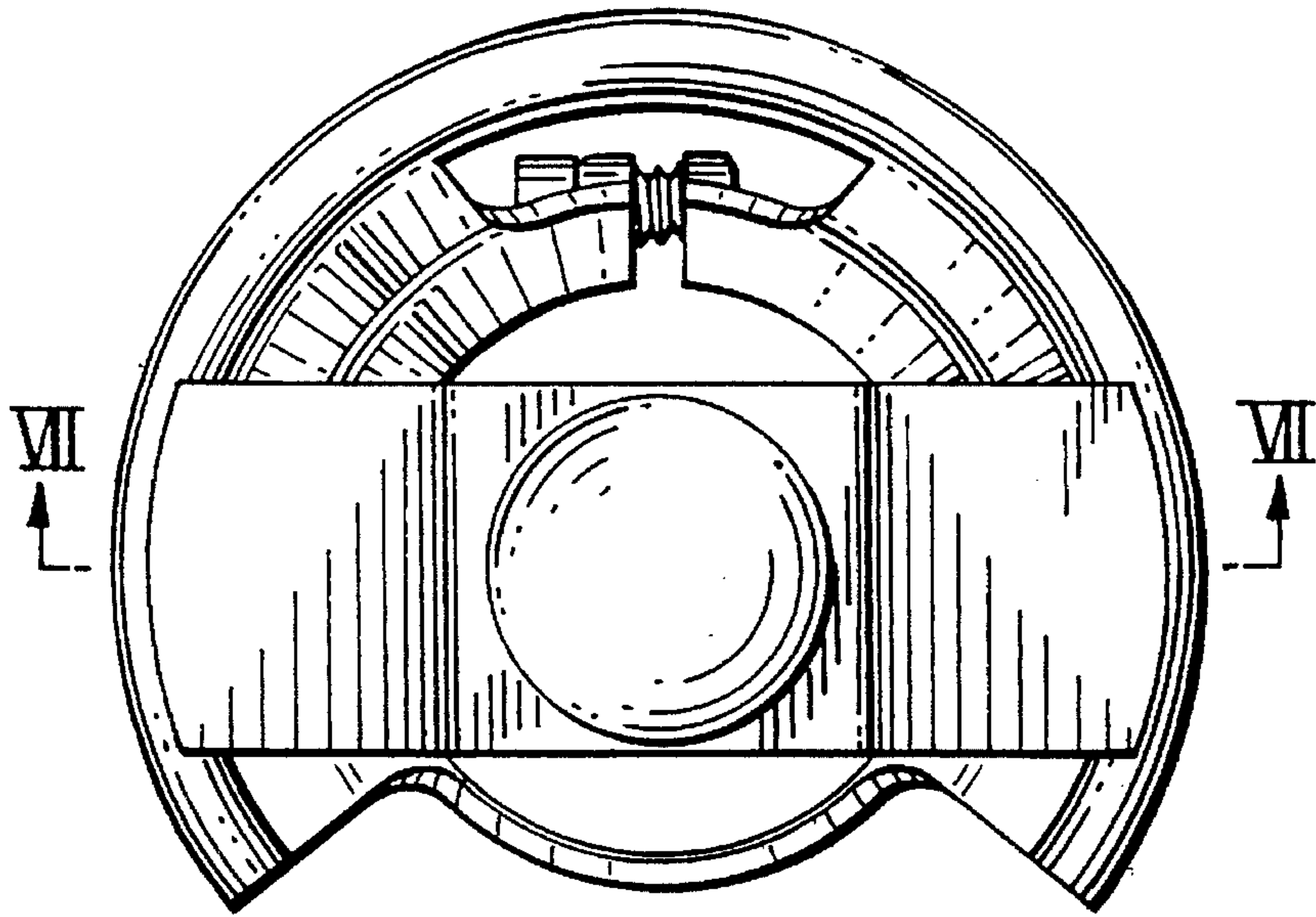


FIG.2

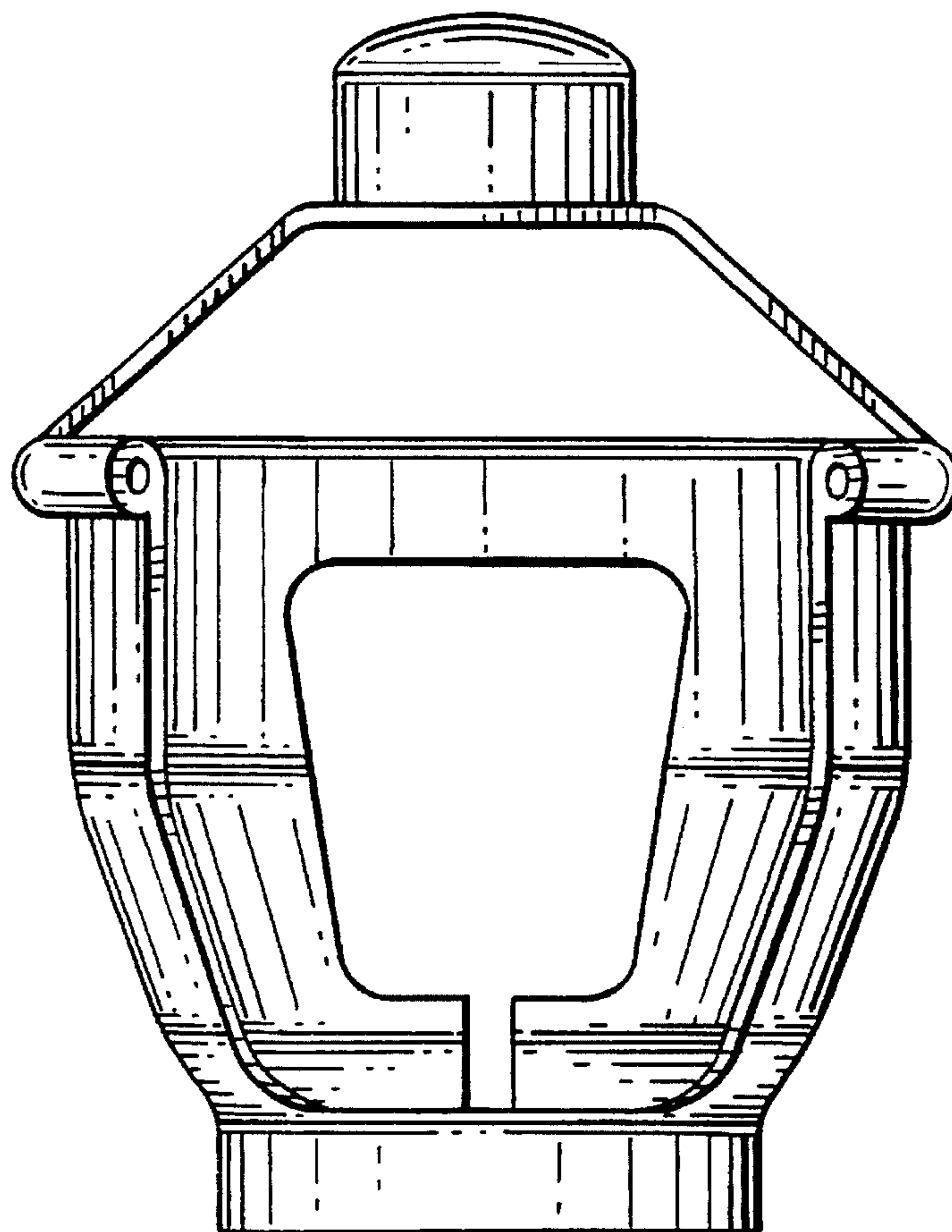


FIG.3

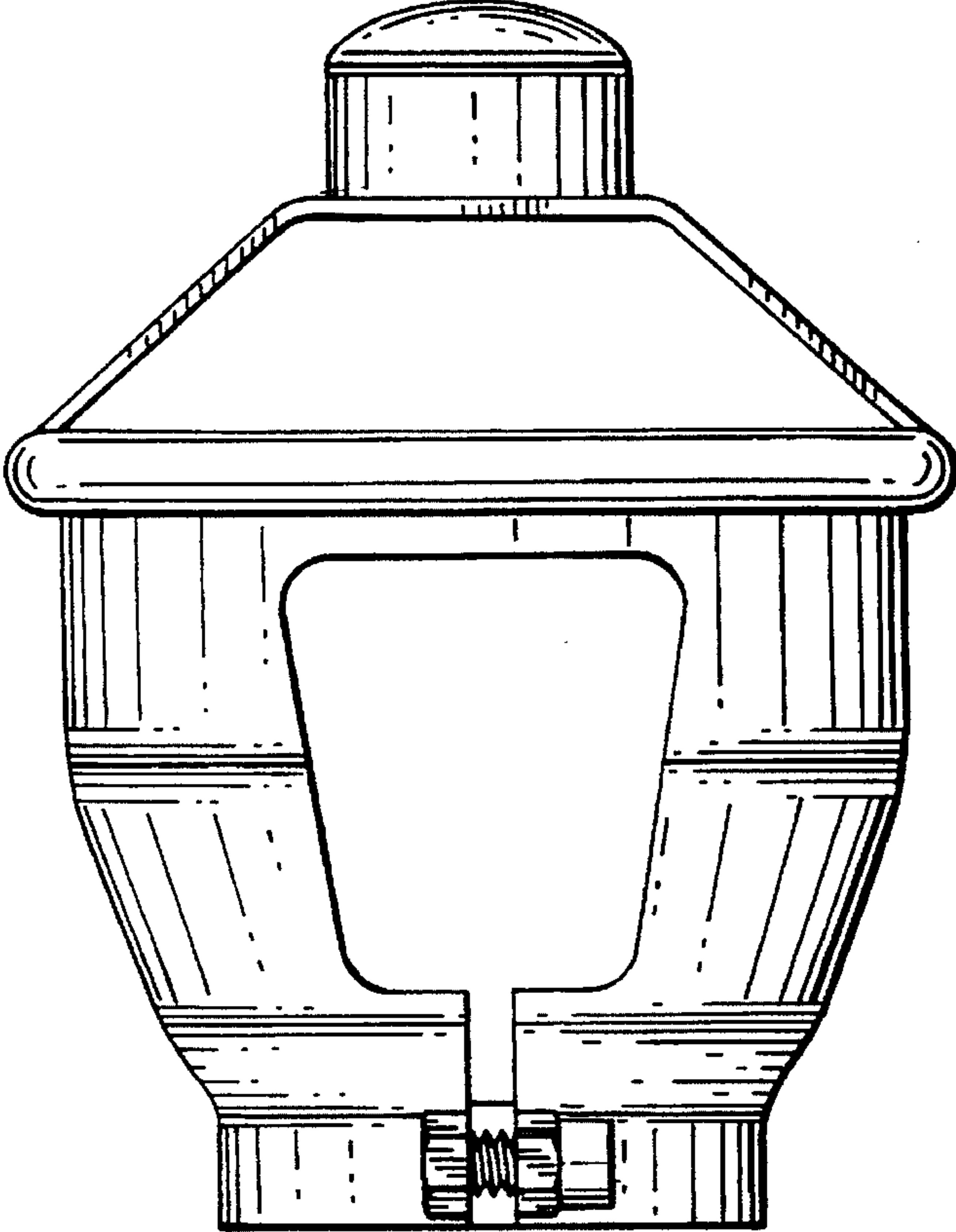


FIG.4

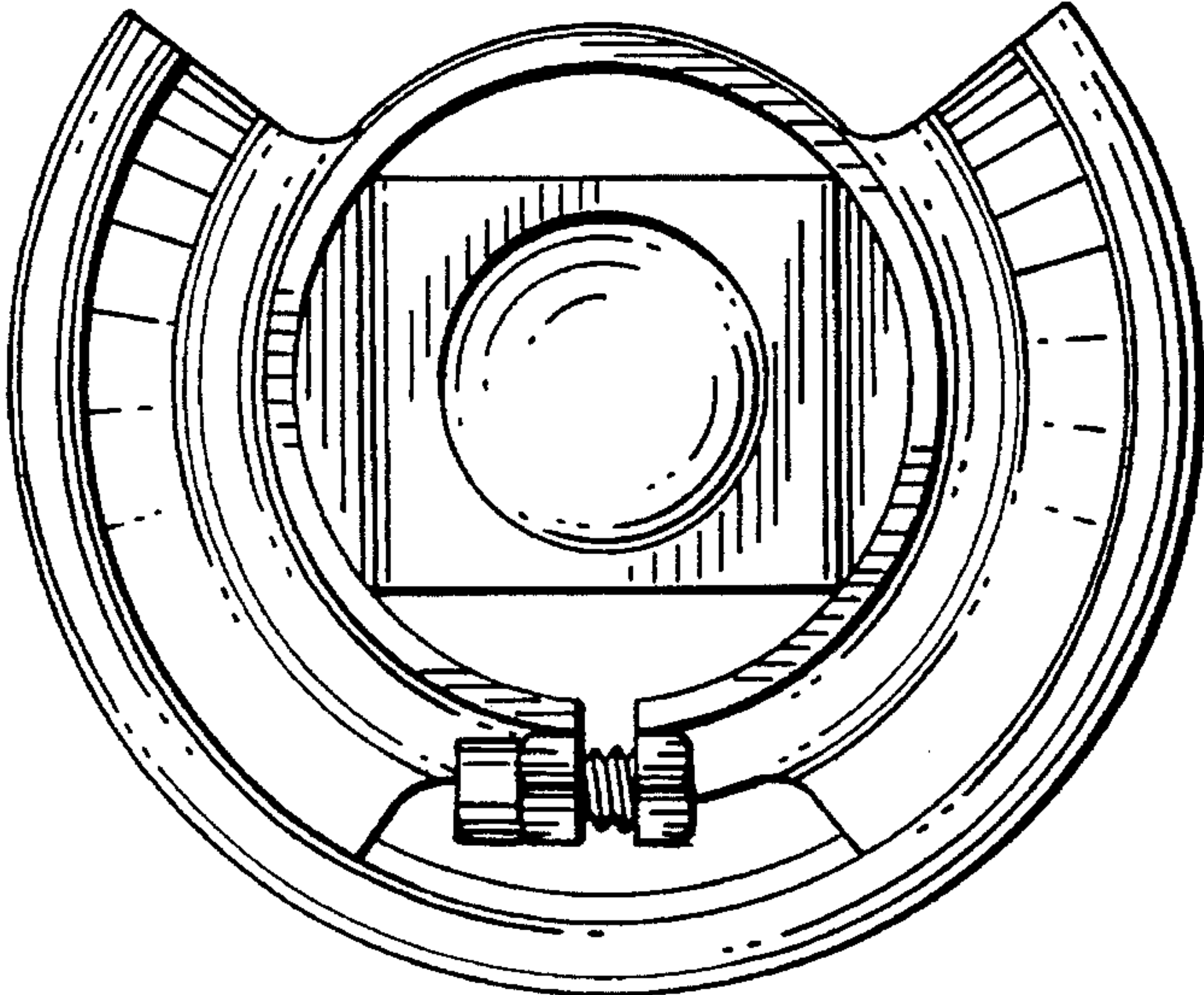


FIG.5

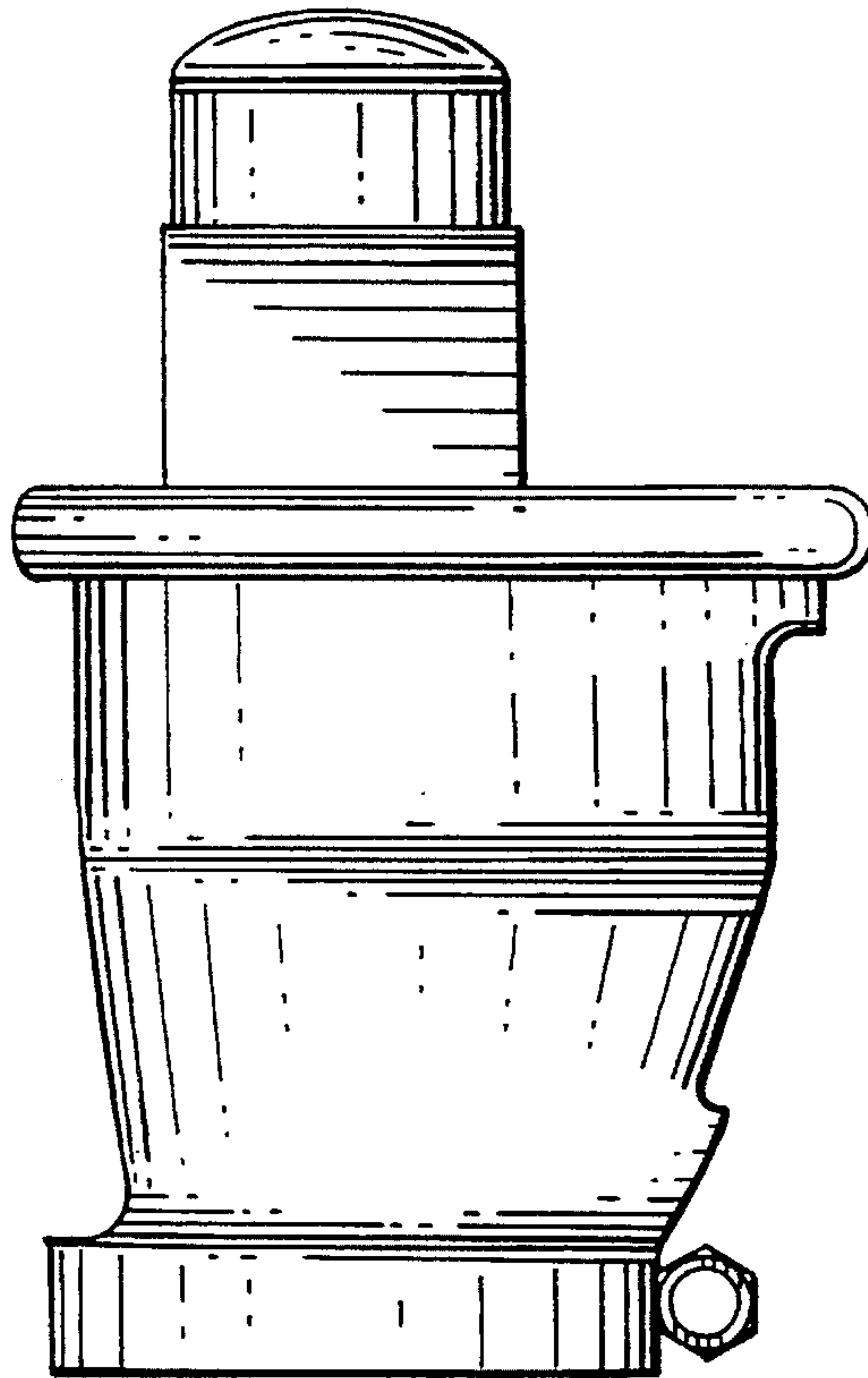


FIG.6

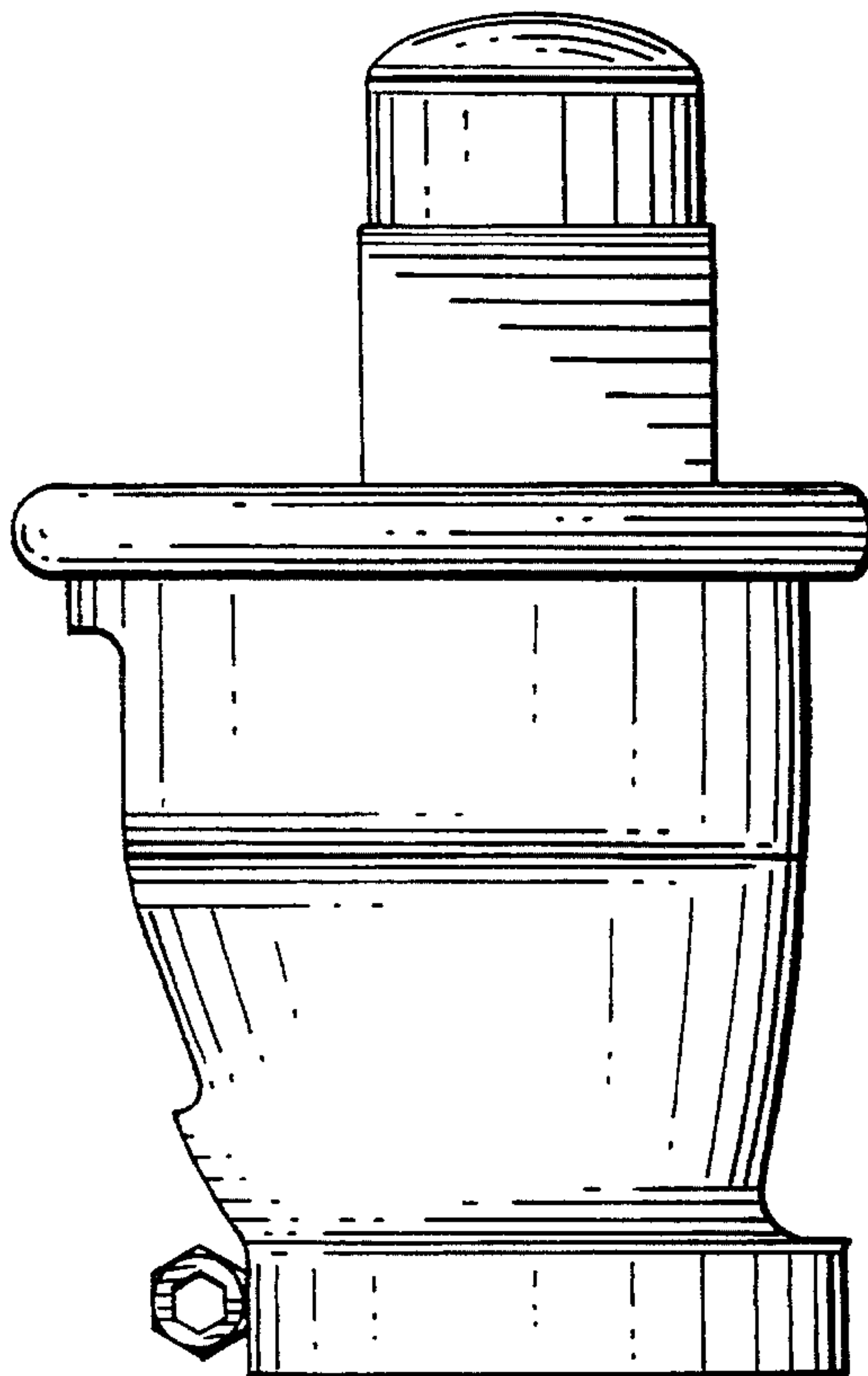


FIG.7

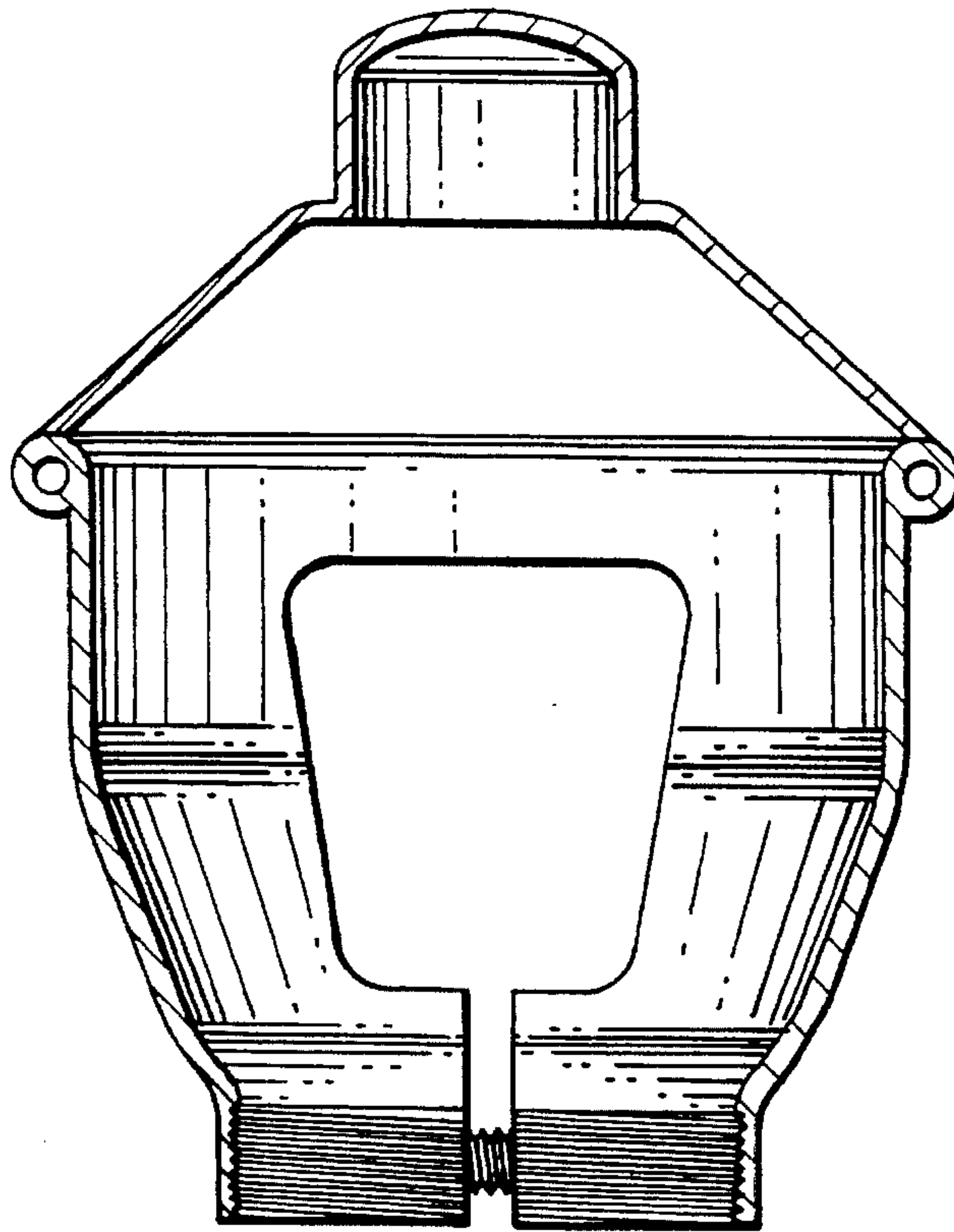


FIG.8

