



US00D370246S

United States Patent [19] Johnson

[11] Patent Number: **Des. 370,246**

[45] Date of Patent: ***** May 28, 1996**

[54] **BROADHEAD**

[76] Inventor: **Gregory G. Johnson**, 3928 46th Ave.
South, Minneapolis, Minn. 55406

[*] Notice: The portion of the term of this patent
subsequent to Dec. 14, 2007, has been
disclaimed.

[**] Term: **14 Years**

[21] Appl. No.: **13,847**

[22] Filed: **Oct. 4, 1993**

[52] U.S. Cl. **D22/115**

[58] Field of Search D22/115; 273/416,
273/418, 419, 420, 421, 422

[56] **References Cited**

U.S. PATENT DOCUMENTS

D. 342,303	12/1993	Johnson	D22/115
2,289,284	7/1942	Chandler .	
2,568,417	9/1951	Steinbacher .	
2,820,634	1/1958	Vance .	
2,939,708	6/1960	Scheib	273/419
3,036,396	5/1962	Swails .	
3,578,328	5/1971	Rickey .	
3,738,657	6/1973	Cox .	
4,099,720	7/1978	Zeren .	
4,405,133	9/1983	Cartwright, Jr.	273/419
4,537,404	8/1985	Castellano et al.	273/422
4,579,348	4/1986	Jones	273/421
4,615,529	10/1986	Vocal	273/421

4,807,382	2/1989	Albrecht	273/419 X
4,807,889	2/1989	Johnson	273/422
4,940,246	7/1990	Stagg	273/421
4,976,443	12/1990	DeLucia	273/421
5,066,021	11/1991	DeLucia	273/421
5,090,709	2/1992	Johnson	273/422

Primary Examiner—Doris V. Coles
Attorney, Agent, or Firm—Burd, Bartz & Gutenkauf

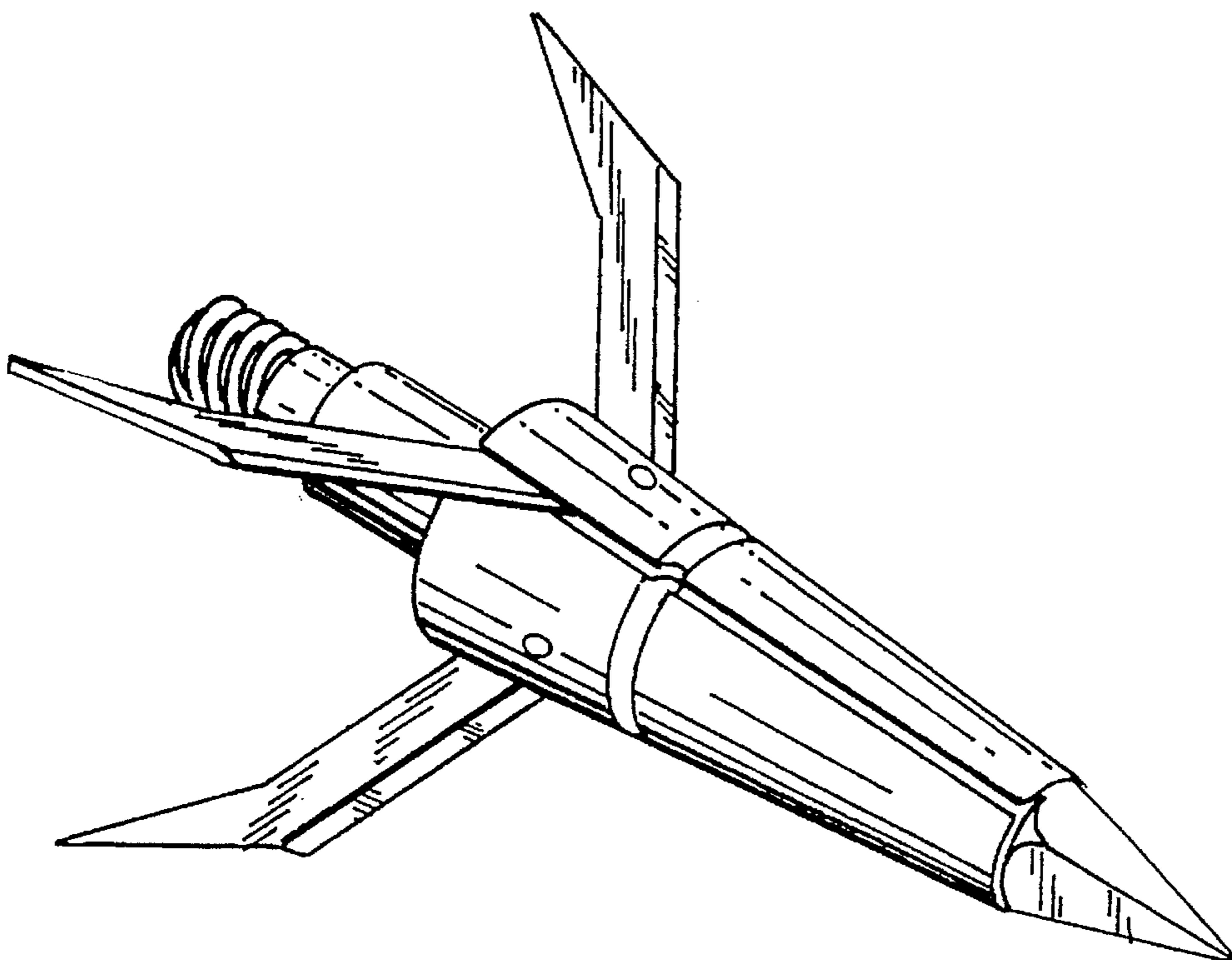
[57] **CLAIM**

The ornamental design for a broadhead, as shown and described.

DESCRIPTION

FIG. 1 is a perspective view of a broadhead showing my new design;
 FIG. 2 is a top plan view thereof;
 FIG. 3 is a bottom plan view thereof;
 FIG. 4 is a side elevational view of the right side thereof;
 FIG. 5 is a side elevational view of the left side thereof;
 FIG. 6 is a front elevational view thereof;
 FIG. 7 is a rear elevational view thereof;
 FIG. 8 is a perspective view of the broadhead of FIG. 1, showing the blades in open positions;
 FIG. 9 is a top plan view of FIG. 8;
 FIG. 10 is a bottom plan view of FIG. 8;
 FIG. 11 is a side view of the left side of FIG. 8;
 FIG. 12 is a side view of the right side of FIG. 8;
 FIG. 13 is a front elevational view of FIG. 8; and,
 FIG. 14 is a rear elevational view of FIG. 8.

1 Claim, 3 Drawing Sheets



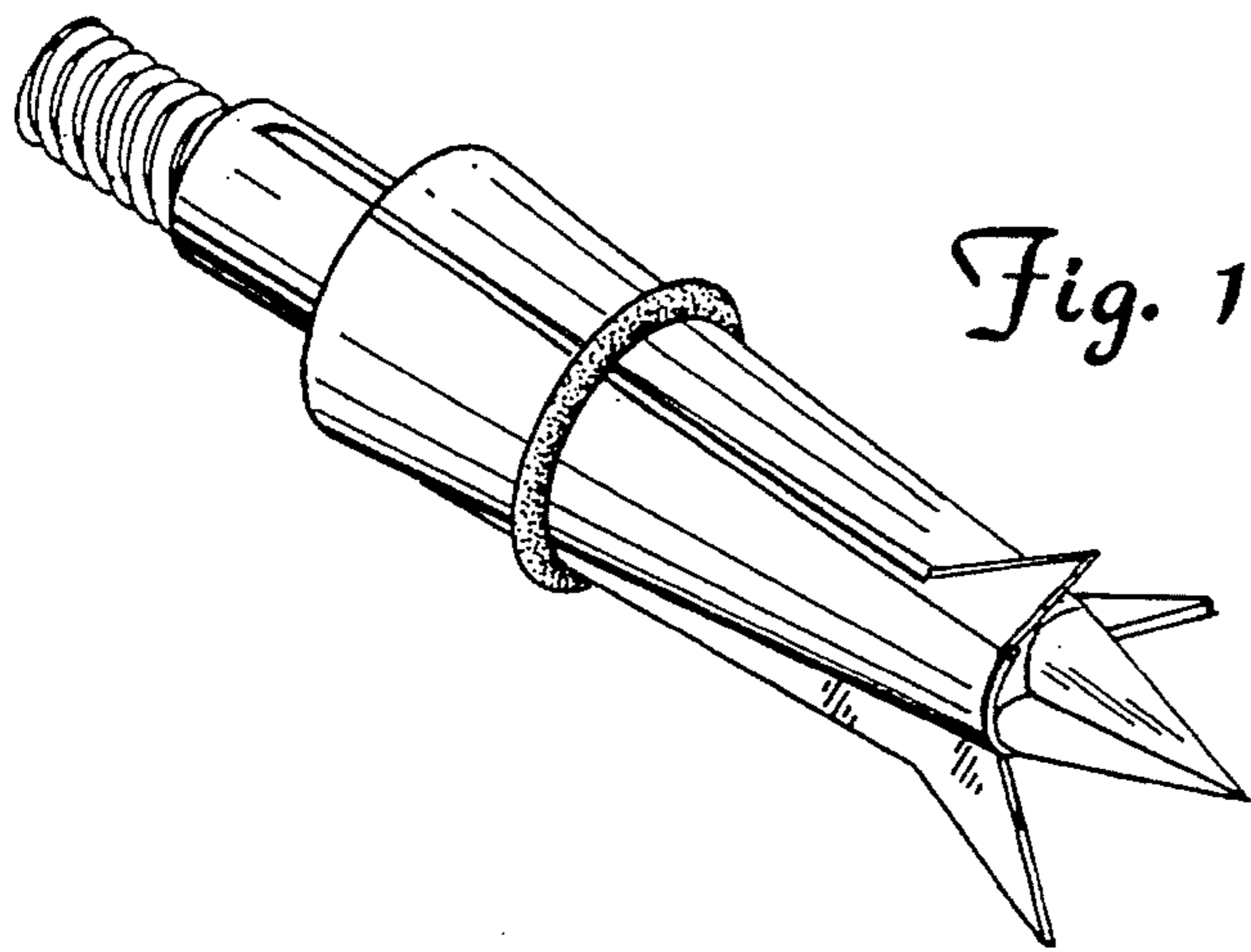


Fig. 1

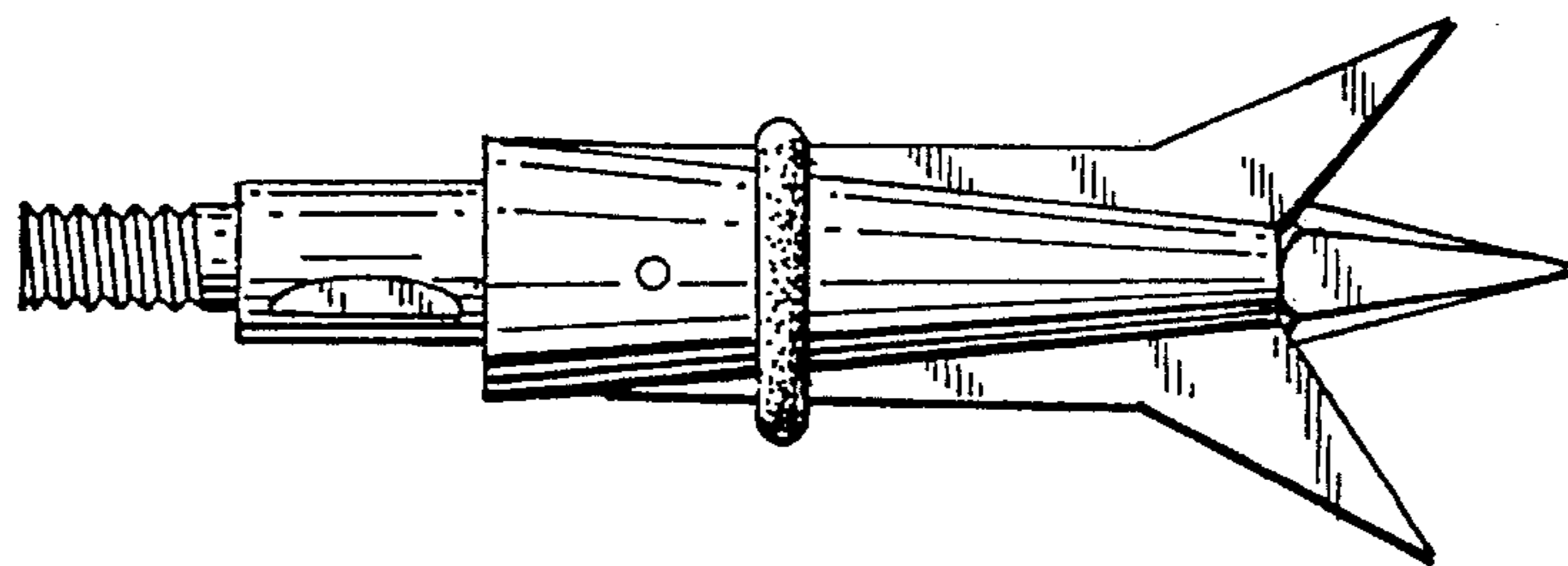


Fig. 2

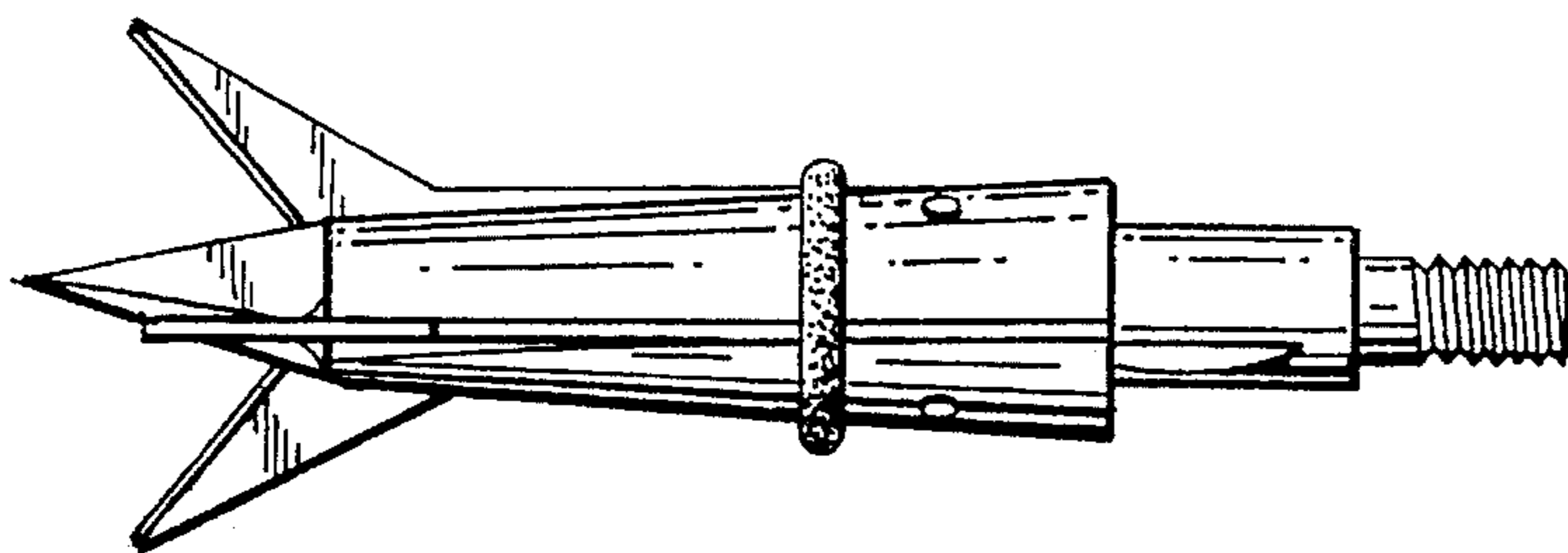


Fig. 3

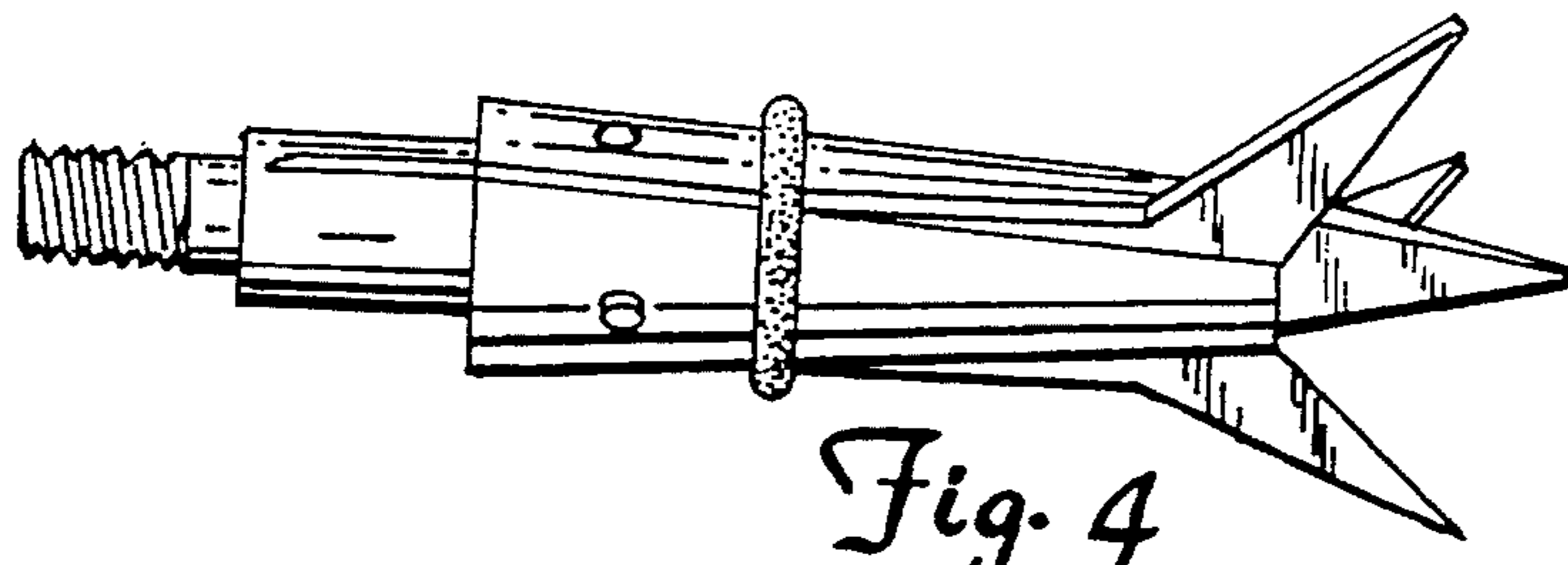


Fig. 4

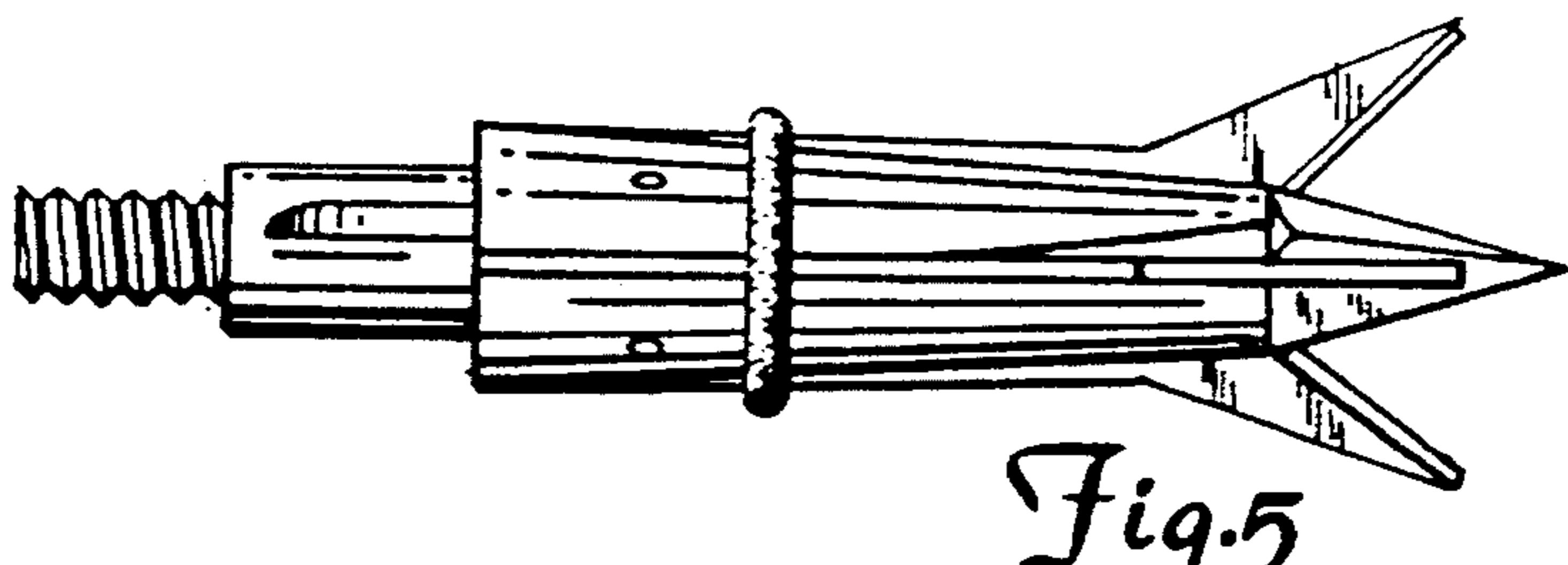


Fig. 5

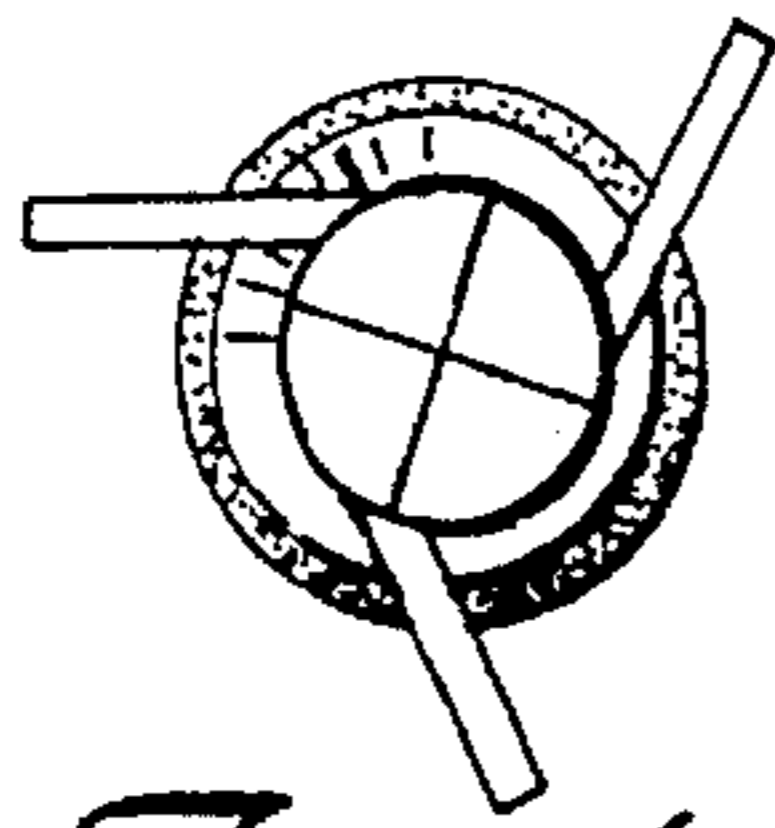


Fig. 6

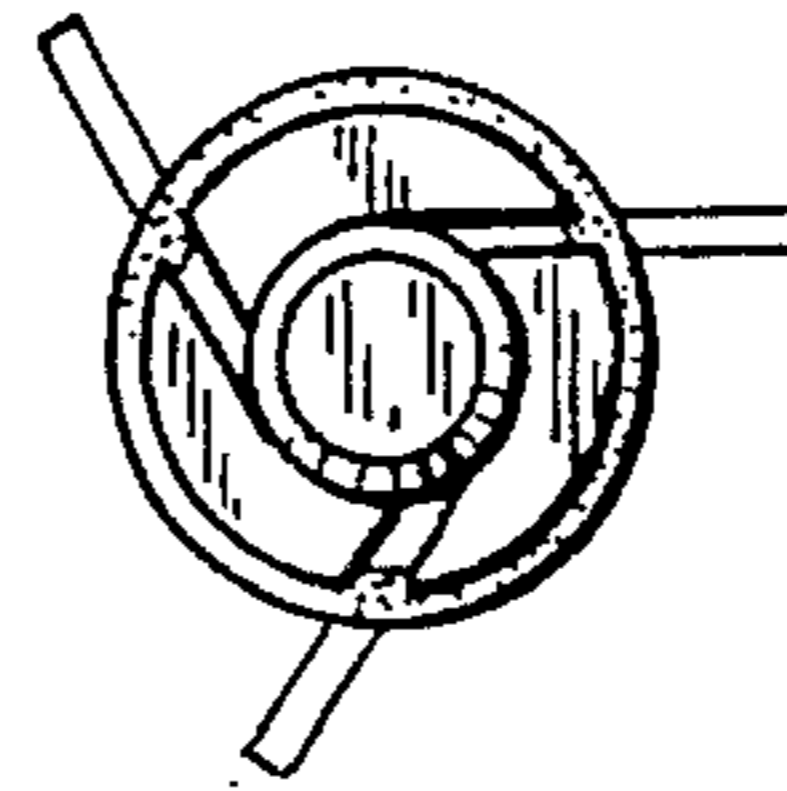


Fig. 7

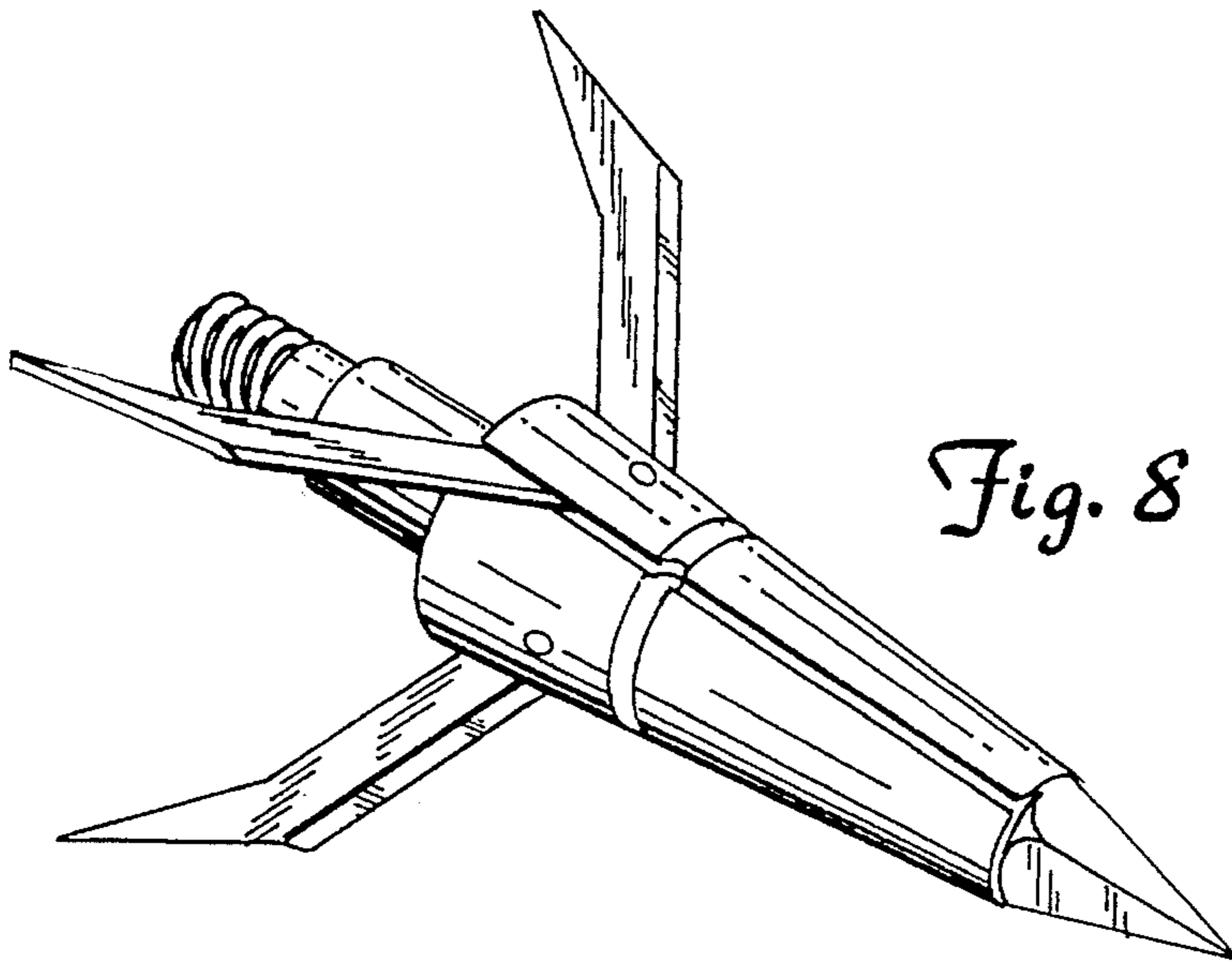


Fig. 8

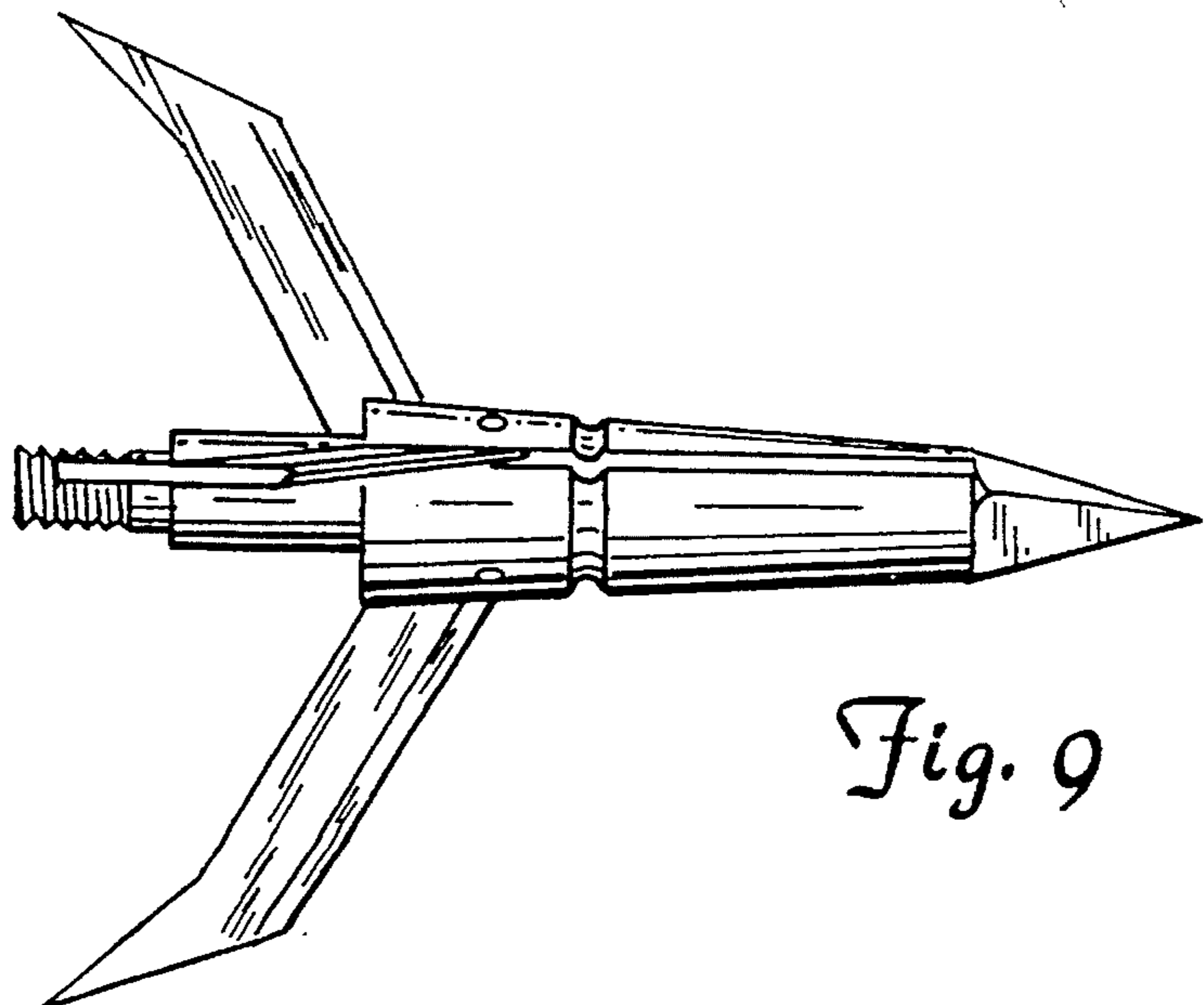


Fig. 9

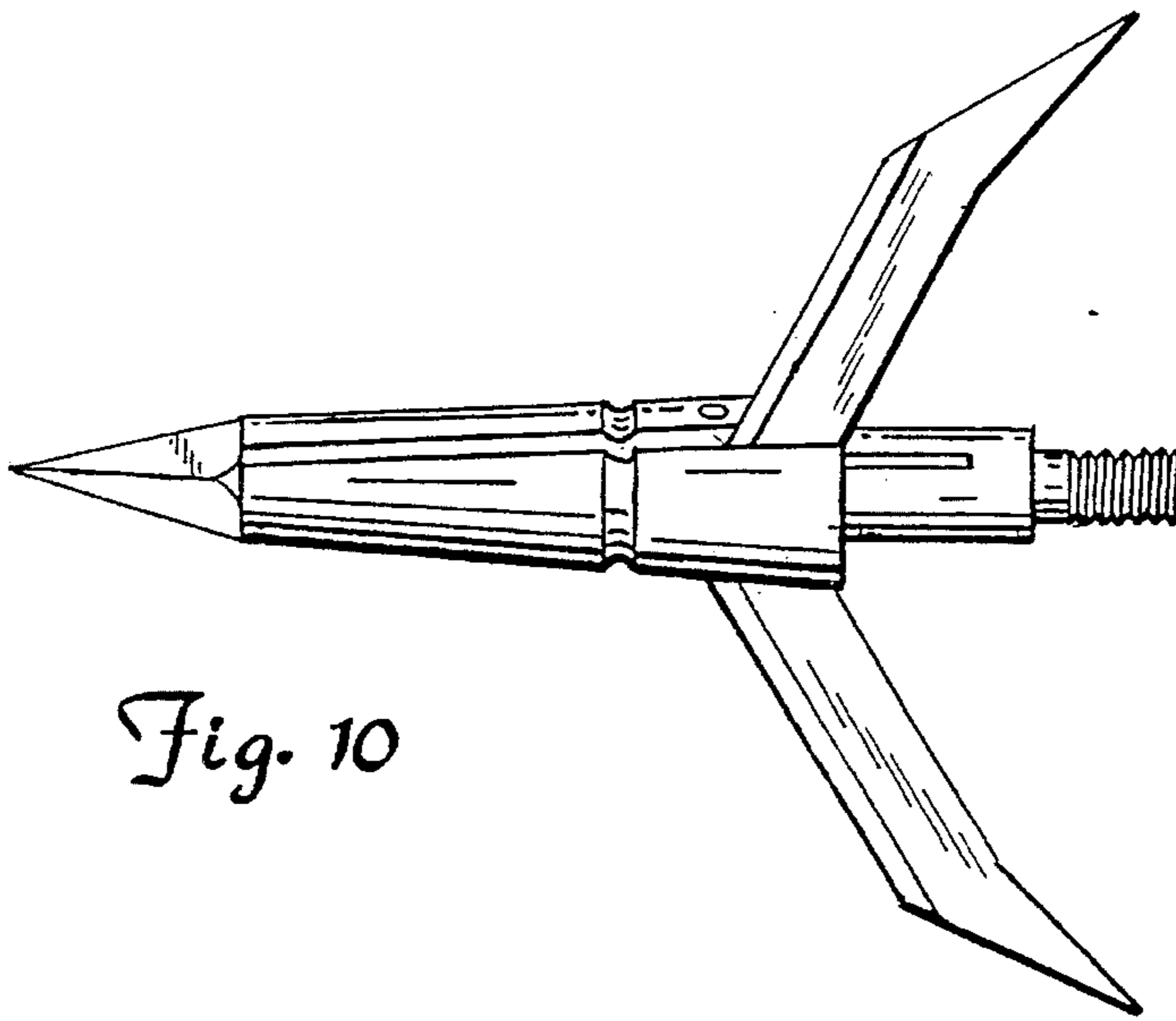


Fig. 10

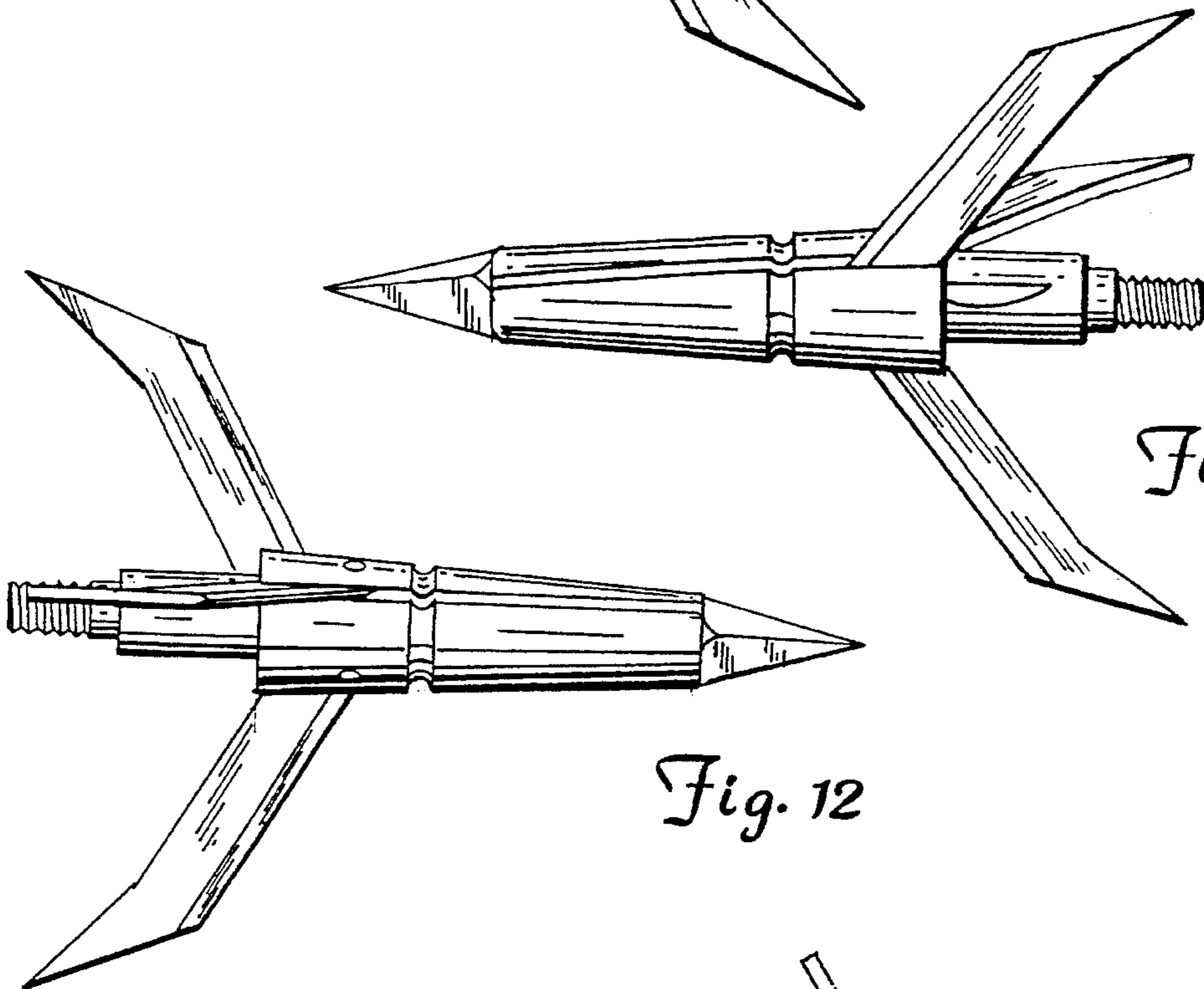


Fig. 11

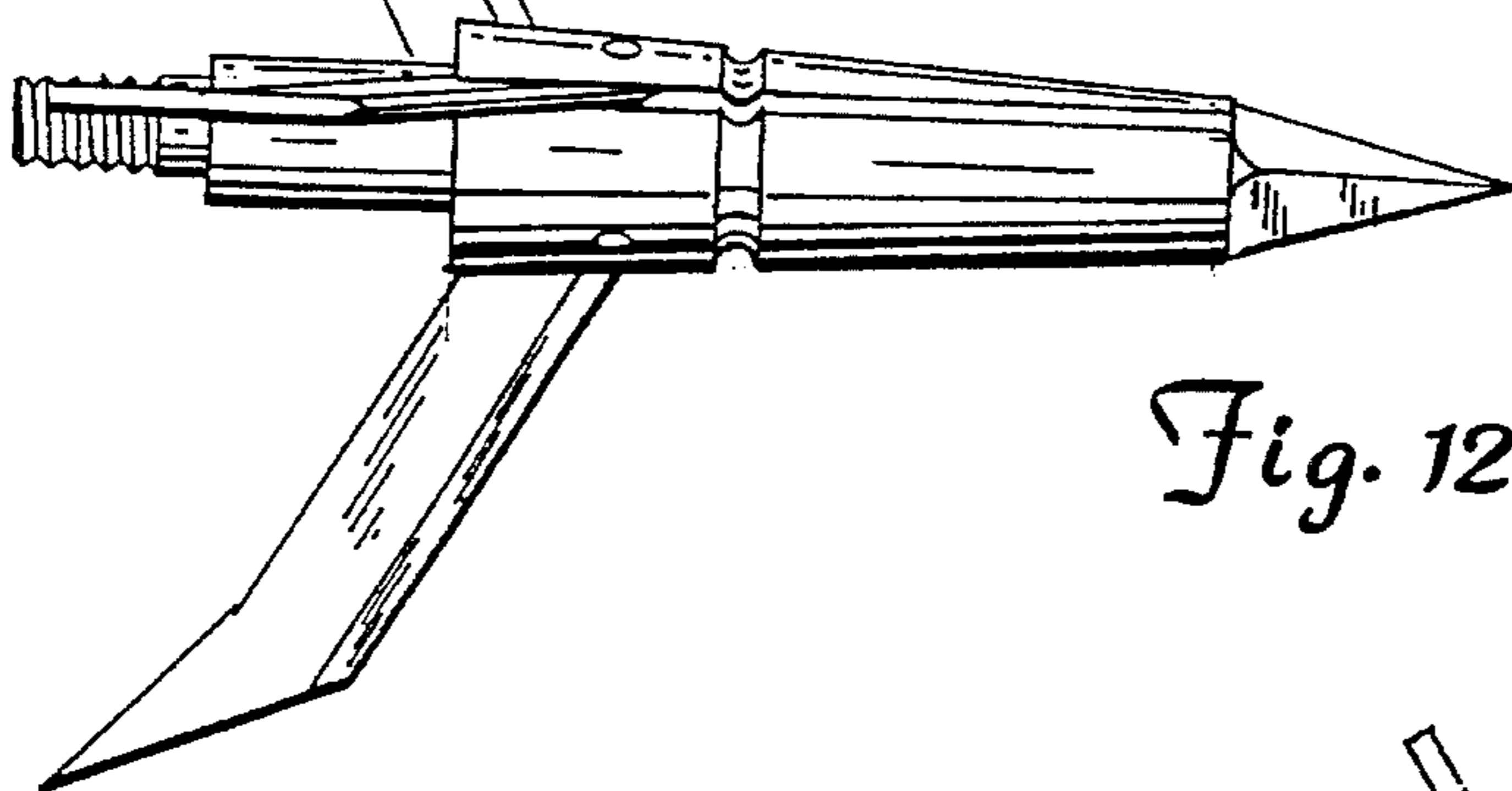


Fig. 12

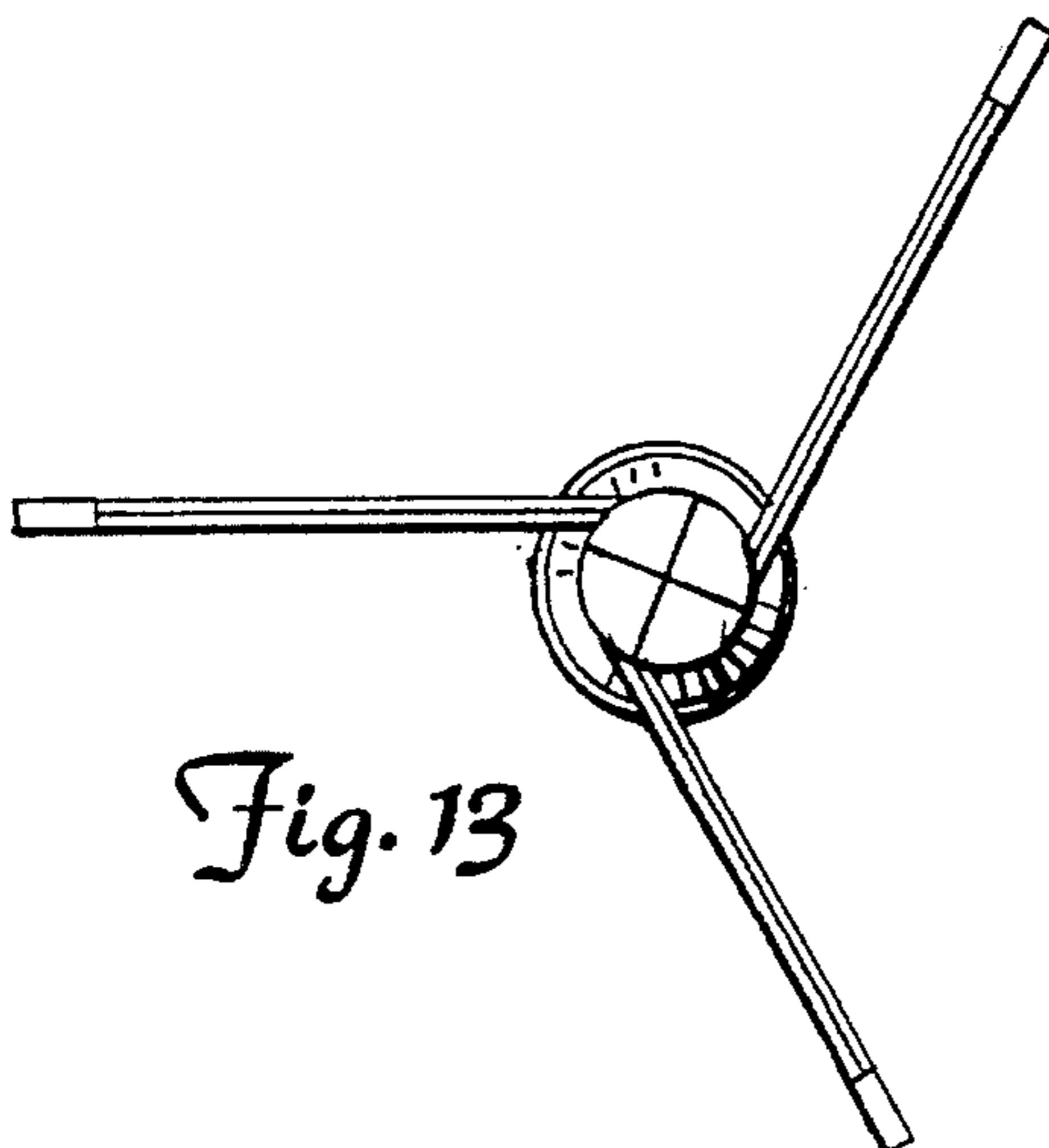


Fig. 13

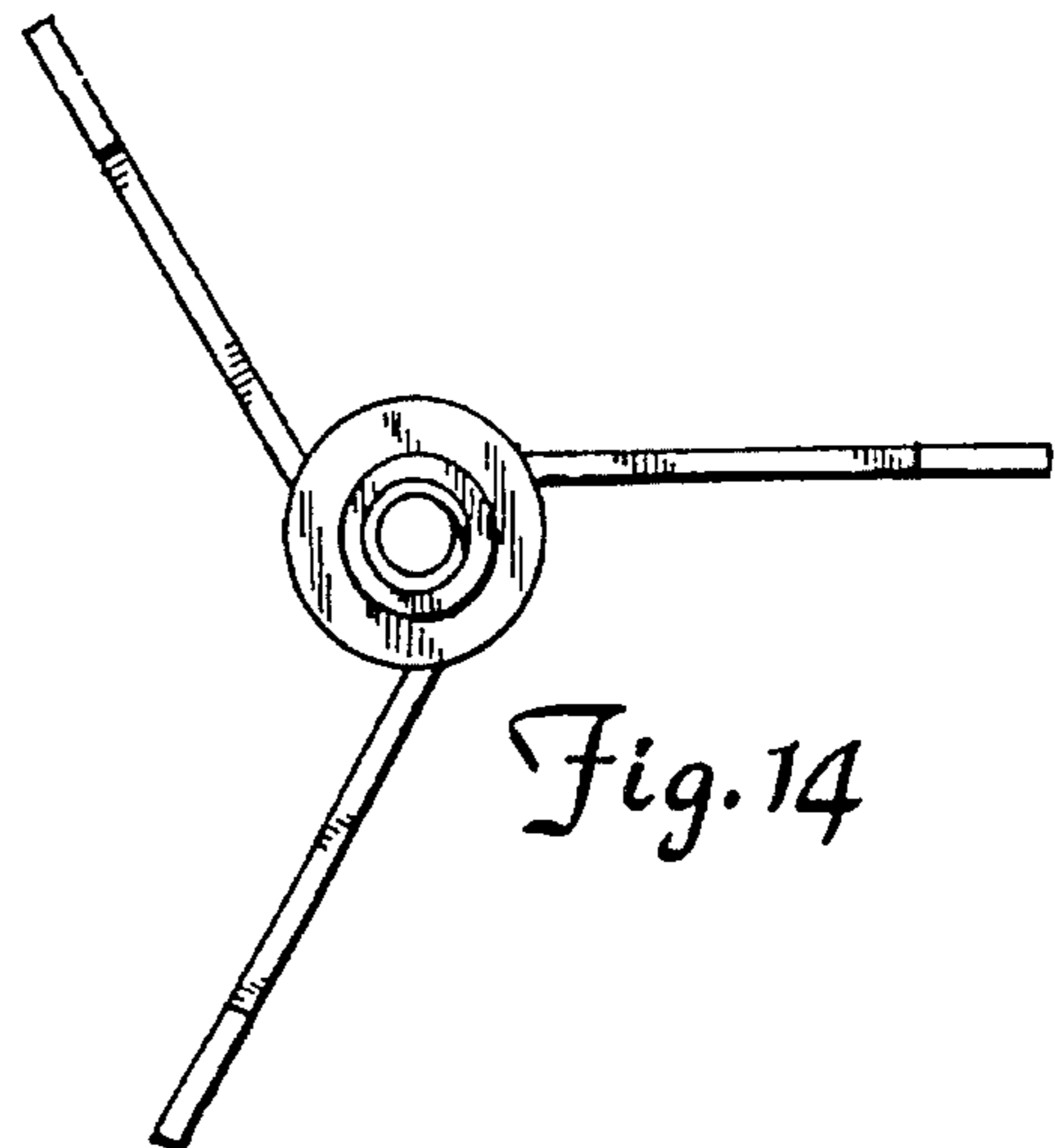


Fig. 14