



US00D370245S

United States Patent [19]
Crudele

[11] **Patent Number: Des. 370,245**

[45] **Date of Patent: **May 28, 1996**

[54] **ARCHERY BOW RELEASE GRIP**

[76] Inventor: **Lonnie Crudele**, R.D. 1 Longhill Rd., Highland Mills, N.Y. 10939

[**] Term: **14 Years**

[21] Appl. No.: **20,271**

[22] Filed: **Mar. 23, 1994**

[52] U.S. Cl. **D22/107**; D22/199

[58] Field of Search D22/107; 124/35.2, 124/86, 88, 91; 482/124, 127

[56] **References Cited**

U.S. PATENT DOCUMENTS

D. 255,824	7/1980	MacWilliams et al.	124/35.2 X
3,757,763	9/1973	Pinti et al.	D22/107 X
4,004,564	1/1977	Castonguay	124/35.2
4,105,011	8/1978	Chism	124/35.2
4,132,215	1/1979	Burton	124/35.2
4,672,945	6/1987	Carlton	124/88 X
4,969,448	11/1990	Beyer	124/35.2
5,009,214	4/1991	Wilde	124/35.2

OTHER PUBLICATIONS

Archery, Dec. 1974, p. 45, "Super Eliminator" Release Aid, bottom center of page.

Primary Examiner—Louis S. Zarfes

Assistant Examiner—Monica A. Hannon

Attorney, Agent, or Firm—Martin J. Spellman, Jr.

[57] **CLAIM**

The ornamental design for an archery bow release grip, as shown.

DESCRIPTION

FIG. 1 is a top, right side, and front perspective view of an archery bow release grip showing my new design;

FIG. 2 is a bottom, left side, and rear perspective view thereof;

FIG. 3 is a right side elevational view thereof;

FIG. 4 is a left side elevation view thereof;

FIG. 5 is a top plan view thereof;

FIG. 6 is a front elevational view thereof;

FIG. 7 is a rear view thereof; and,

FIG. 8 is a bottom view thereof.

1 Claim, 3 Drawing Sheets

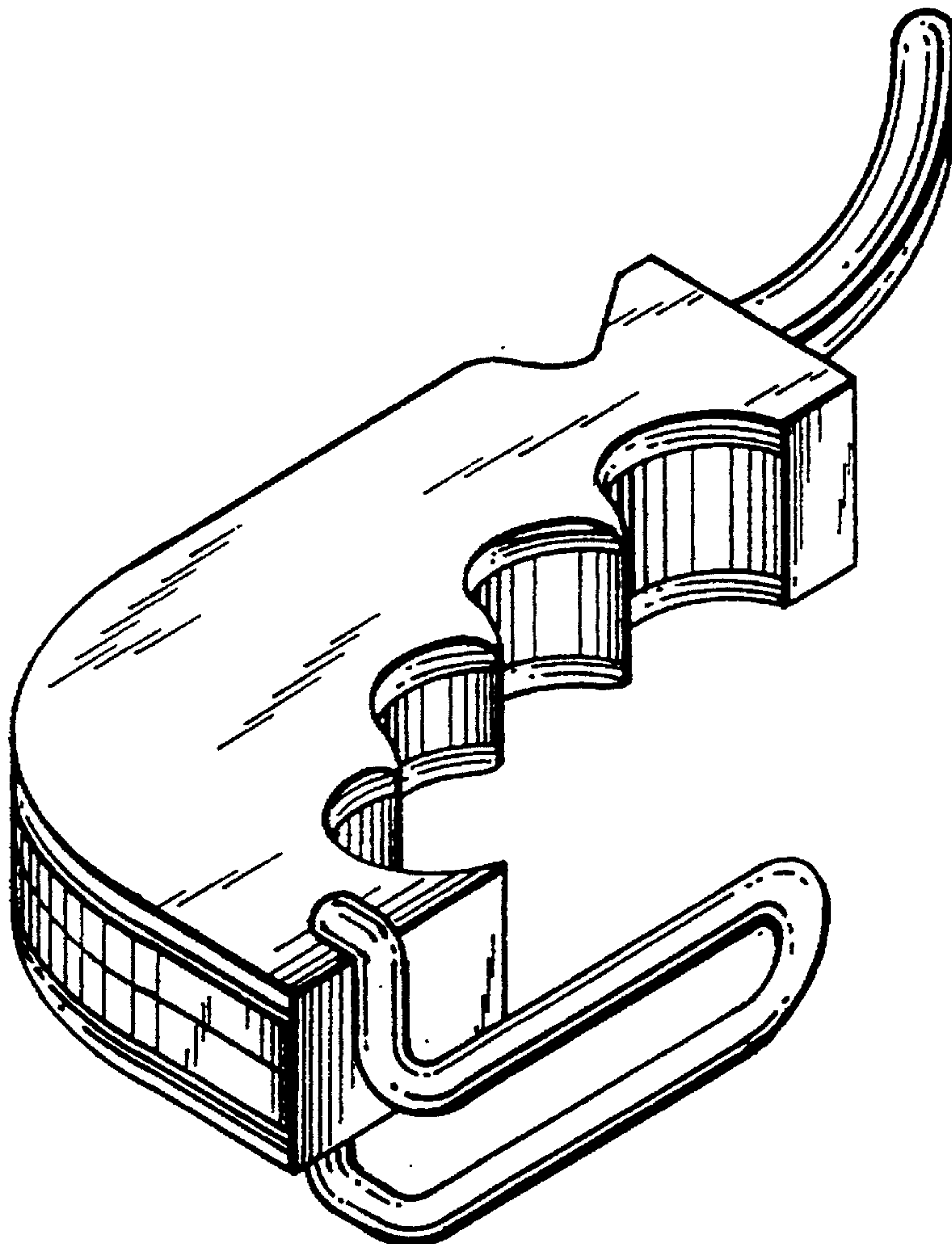


FIG.1

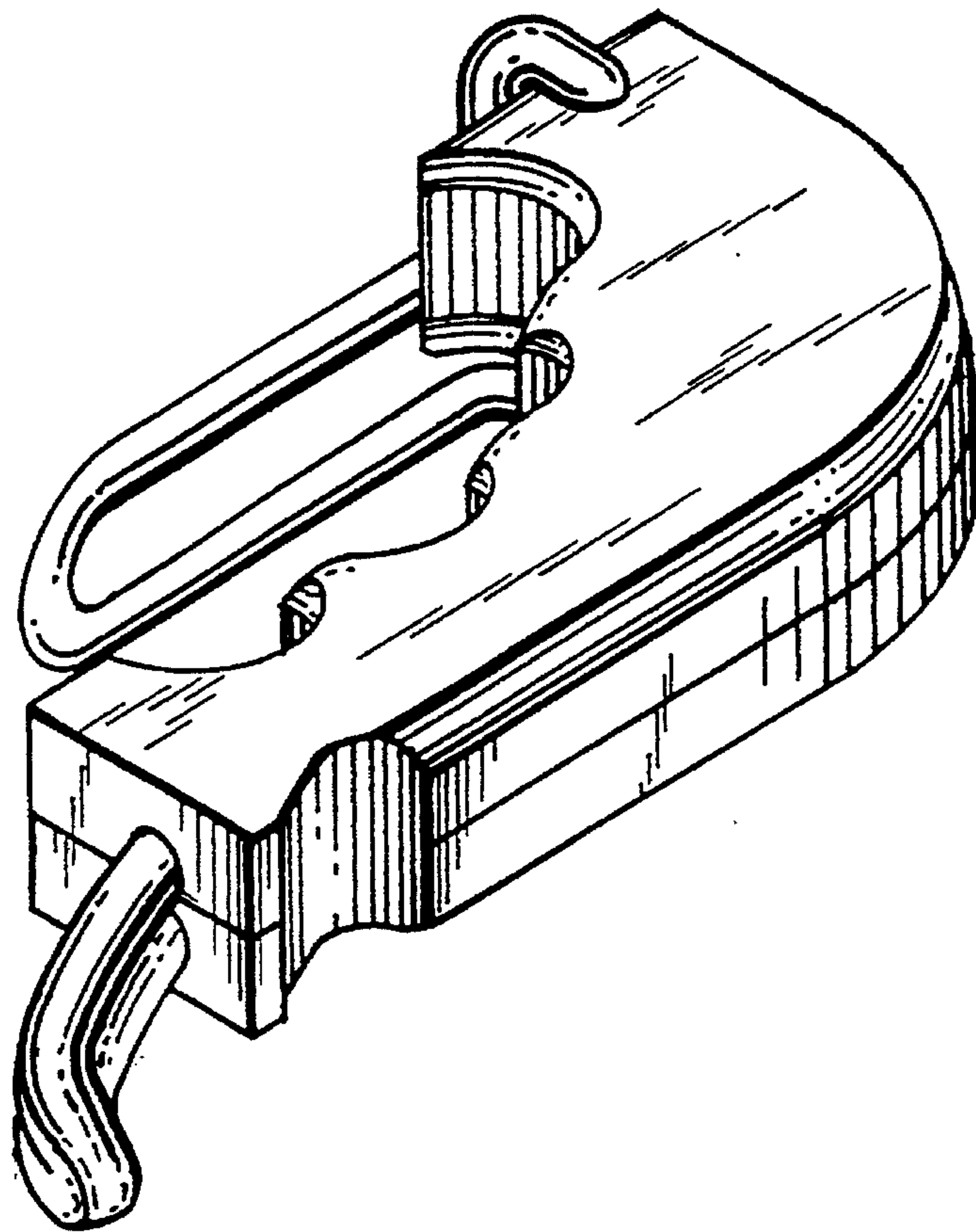


FIG.2

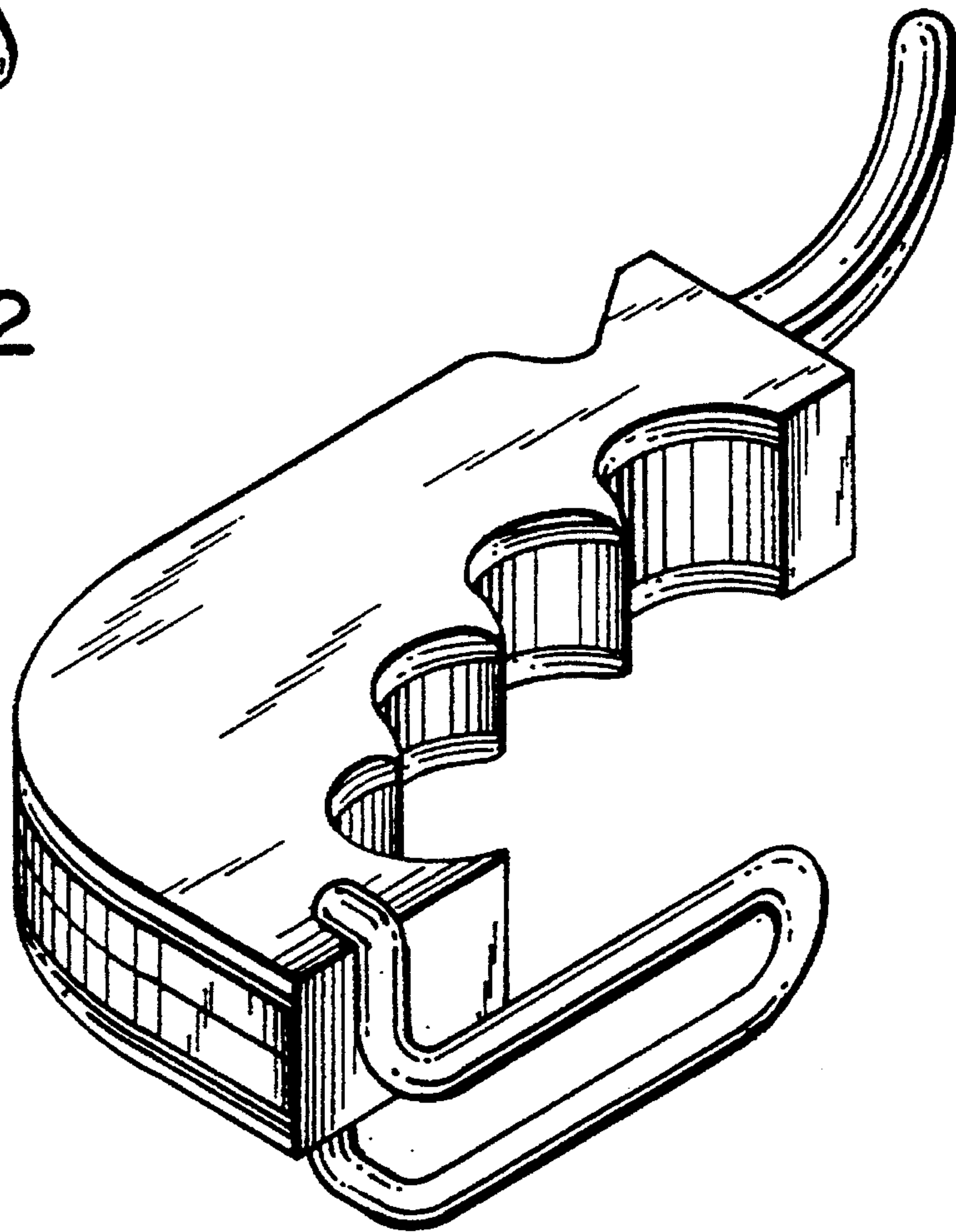


FIG.3

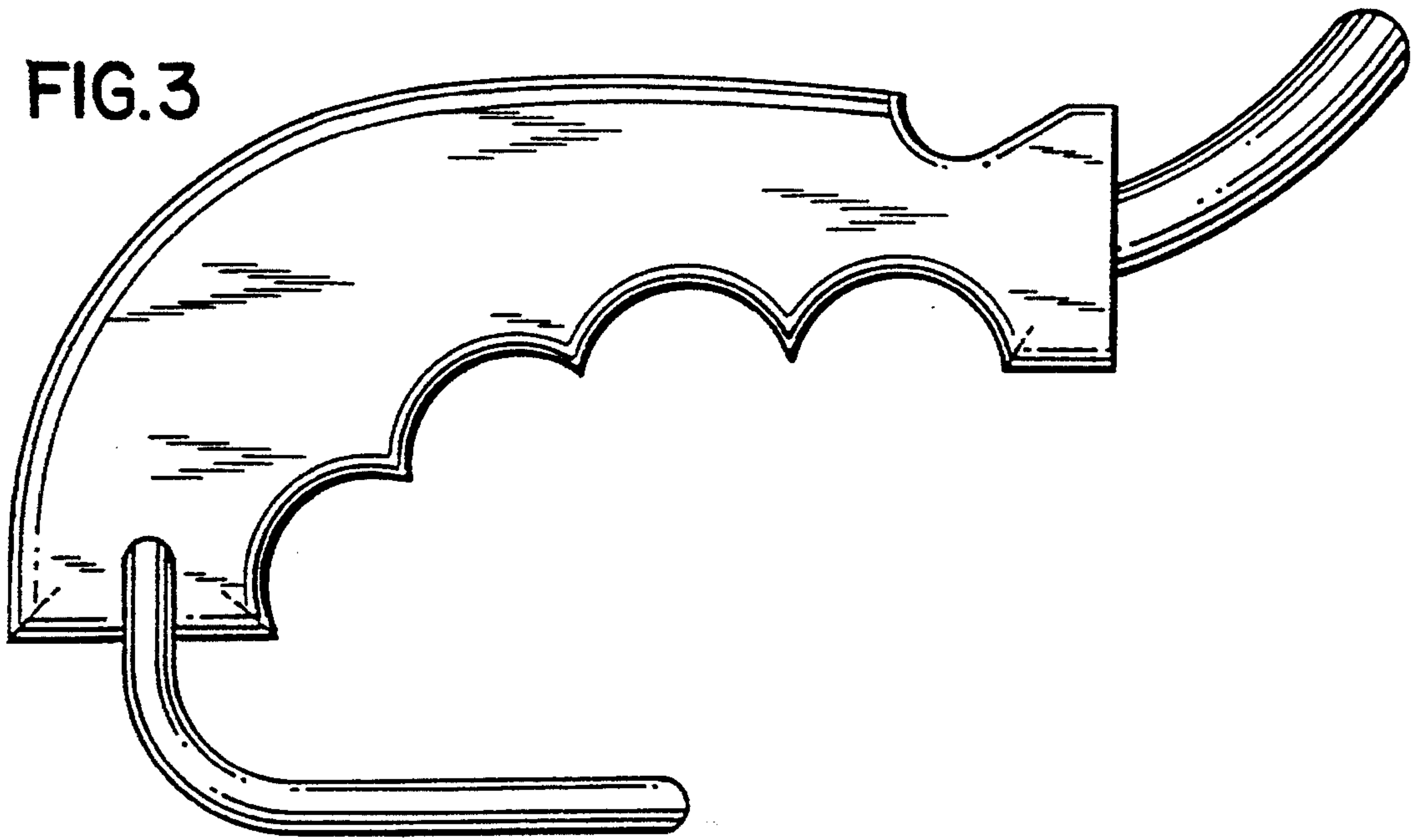


FIG.4

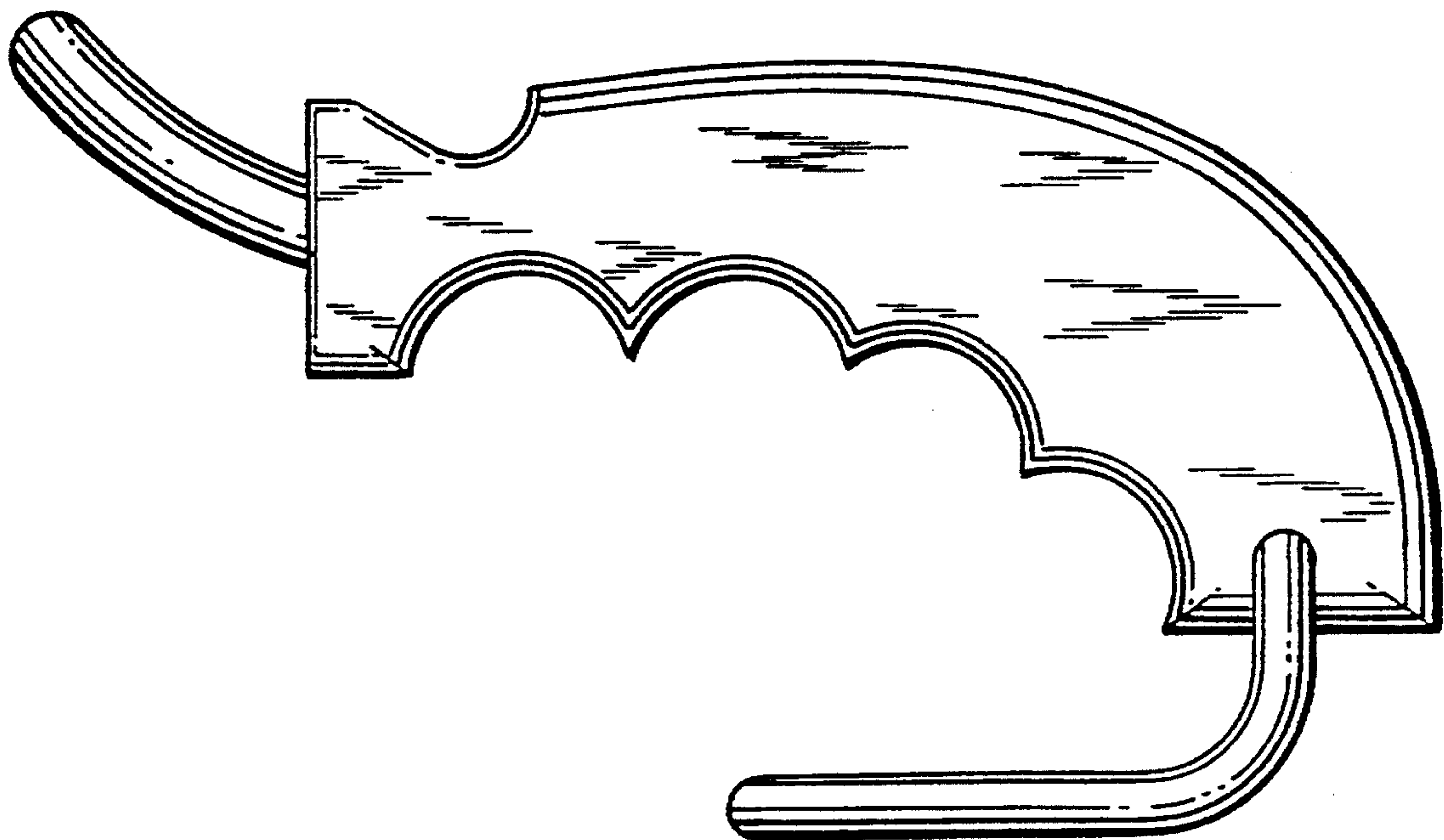


FIG.5

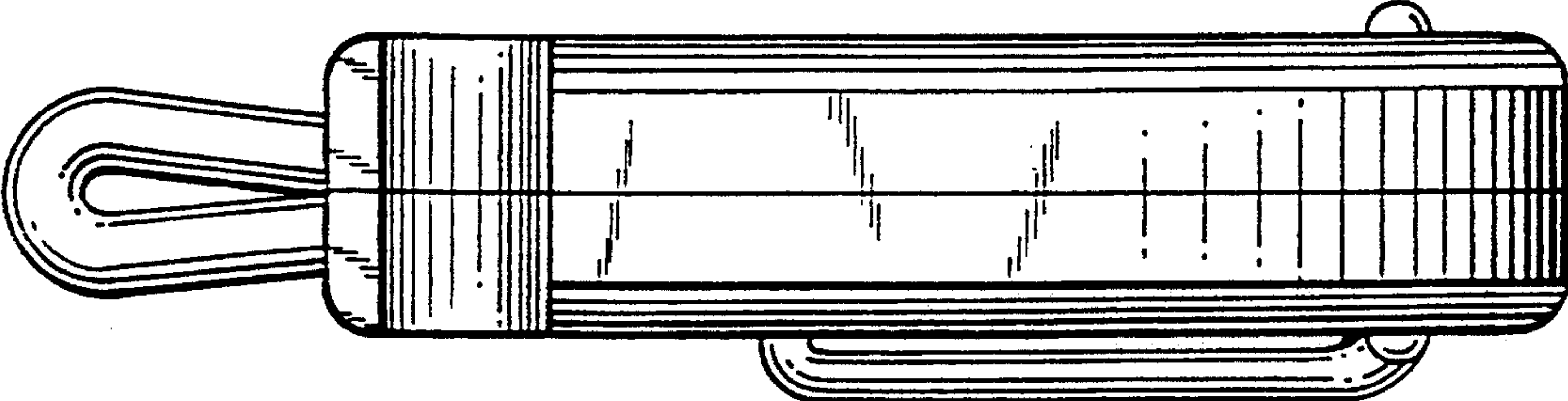


FIG.6

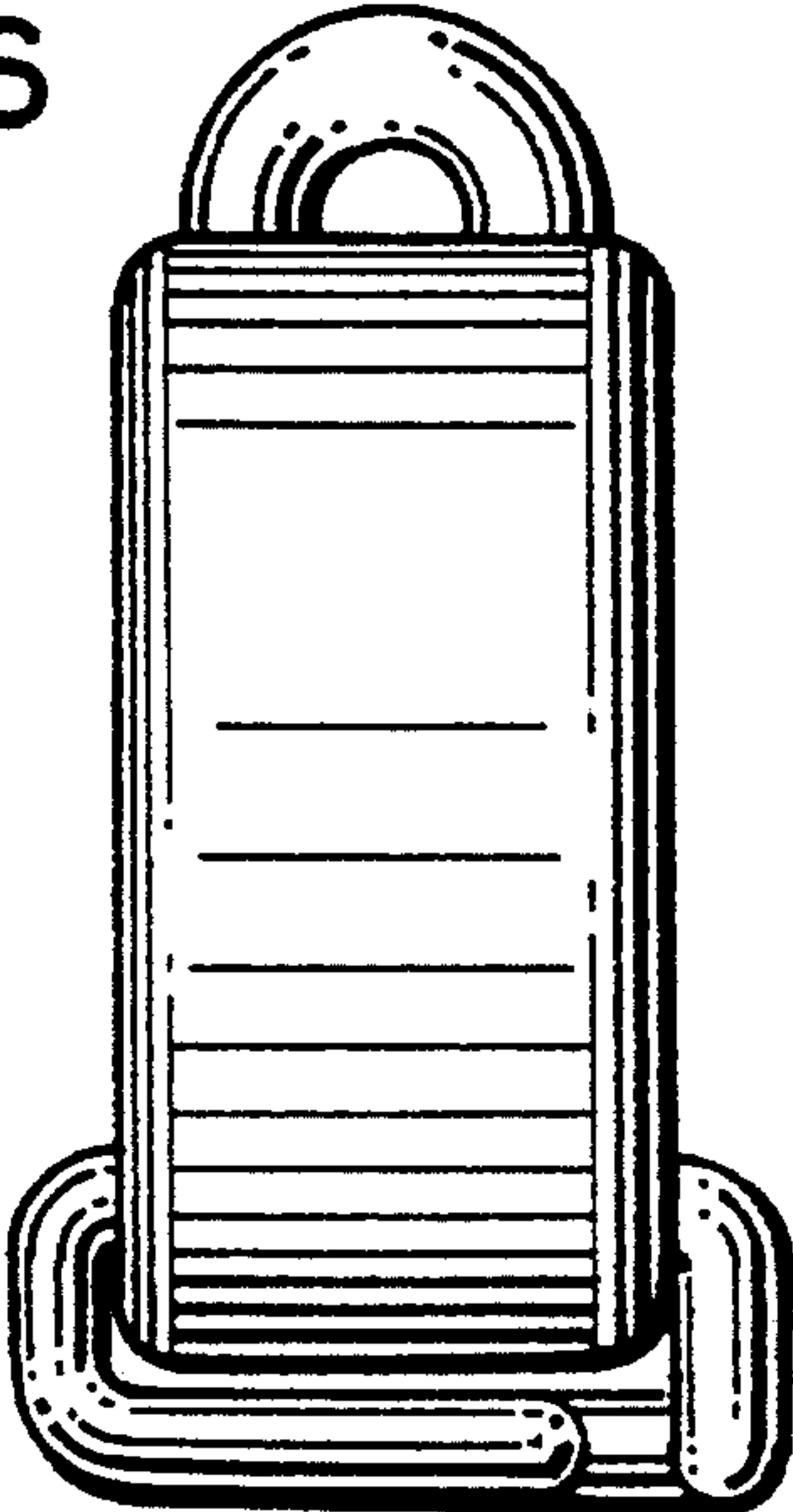


FIG.7

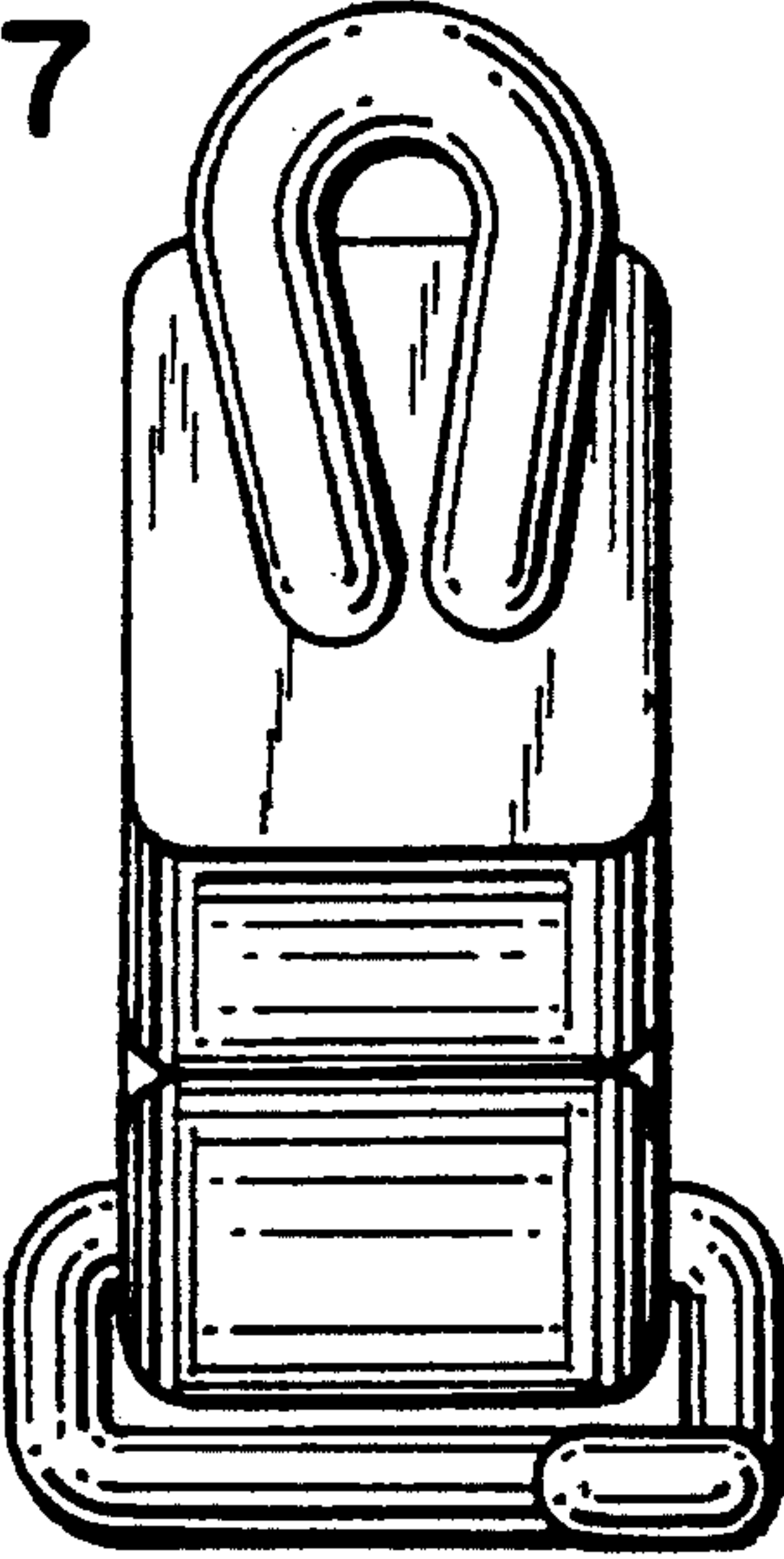


FIG.8

