



US00D370243S

**United States Patent** [19]  
**Thompson**

[11] **Patent Number:** **Des. 370,243**

[45] **Date of Patent:** **\*\*May 28, 1996**

[54] **FLOATING EXERCISE BALL**  
[76] Inventor: **Gibson H. Thompson**, 6019 Kinghurst Dr., Charlotte, N.C. 28227  
[\*\*] Term: **14 Years**  
[21] Appl. No.: **39,710**  
[22] Filed: **Jun. 2, 1995**

4,991,847 2/1991 Rudell et al. .... 273/58 H X  
5,020,438 6/1991 Brown ..... 273/58 K X  
5,033,743 7/1991 Wright ..... 273/58 A X  
5,048,829 9/1991 Prokupek ..... 273/65 EG X  
5,254,379 10/1993 Kotsiopoulos et al. .... 273/58 R X

*Primary Examiner*—Terry A. Wallace  
*Assistant Examiner*—Cheri Cohen  
*Attorney, Agent, or Firm*—Clifton Ted Hunt

**Related U.S. Application Data**

[63] Continuation-in-part of Ser. No. 25,968, Jul. 15, 1994.  
[52] **U.S. Cl.** ..... **D21/204**  
[58] **Field of Search** ..... D21/203–205;  
273/58 H, 58 A, 58 B, 58 R, 58 J, 58 K,  
58 D, 65 EG, 65 EC

[57] **CLAIM**

The ornamental design for a floating exercise ball, as shown and described.

**DESCRIPTION**

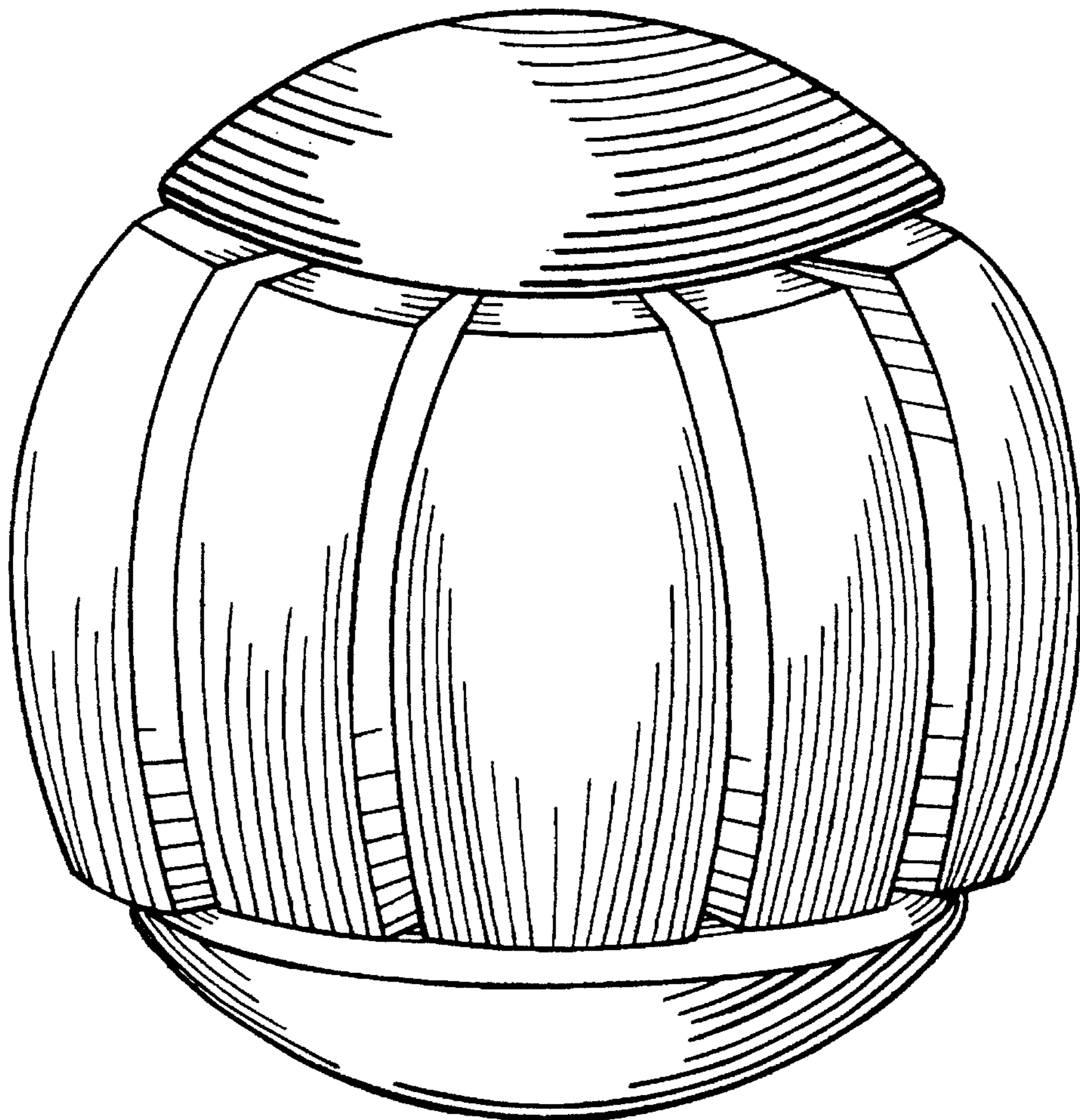
FIG. 1 is a reduced perspective view of a floating exercise ball showing my new design;  
FIG. 2 is a top plan view thereof, the opposite side being identical;  
FIG. 3 is a side elevation view thereof, taken along line 3—3 of FIG. 2; and,  
FIG. 4 is a side elevation view thereof, taken along line 4—4 of FIG. 2.

[56] **References Cited**

**U.S. PATENT DOCUMENTS**

D. 340,489 10/1993 Evangelista ..... D21/205  
4,212,460 7/1980 Kraft ..... 273/58 B  
4,919,422 4/1990 Ma ..... 273/58 K X  
4,974,844 12/1990 Richards ..... 273/58 K X

**1 Claim, 4 Drawing Sheets**



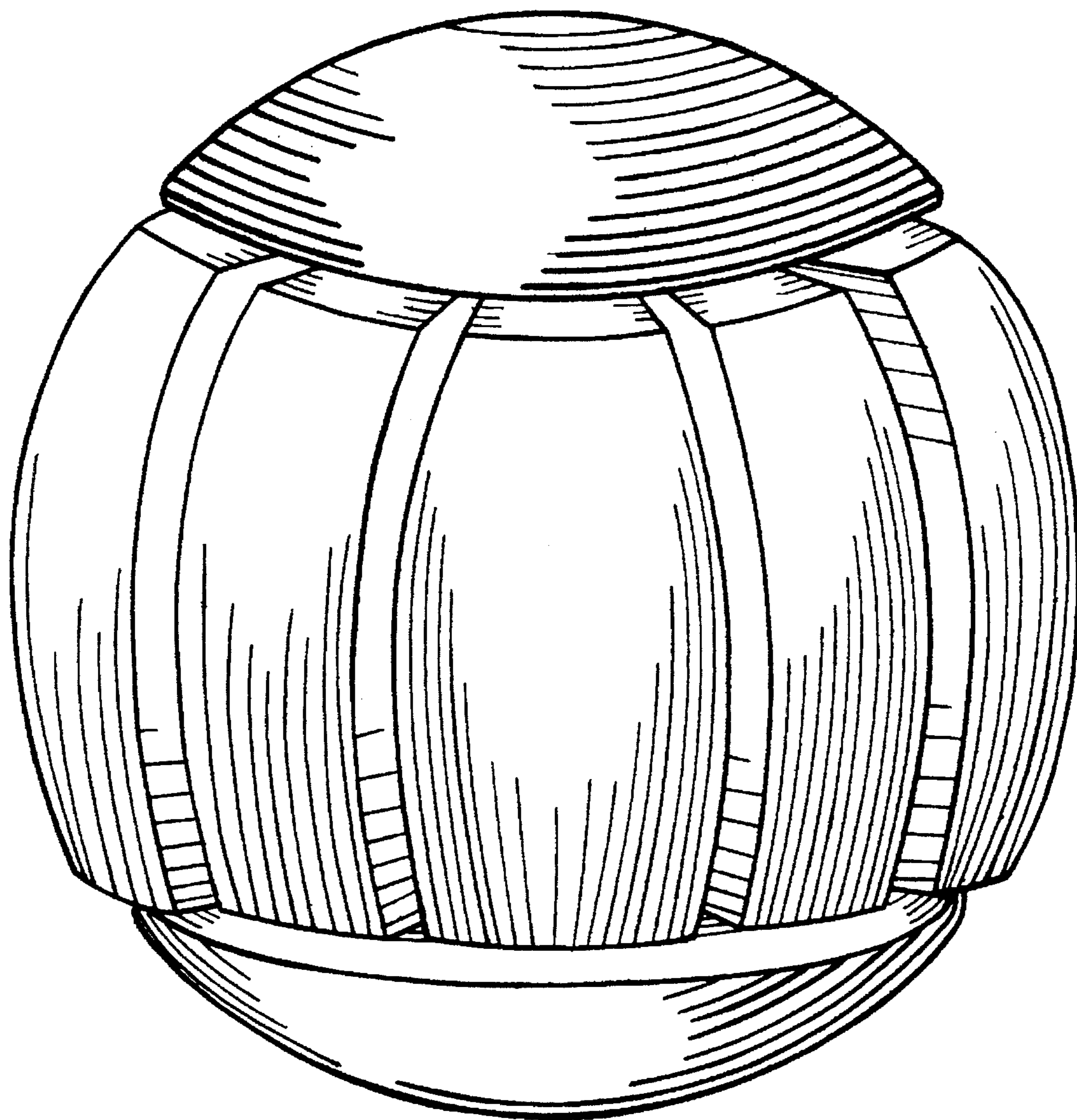


FIG. 1

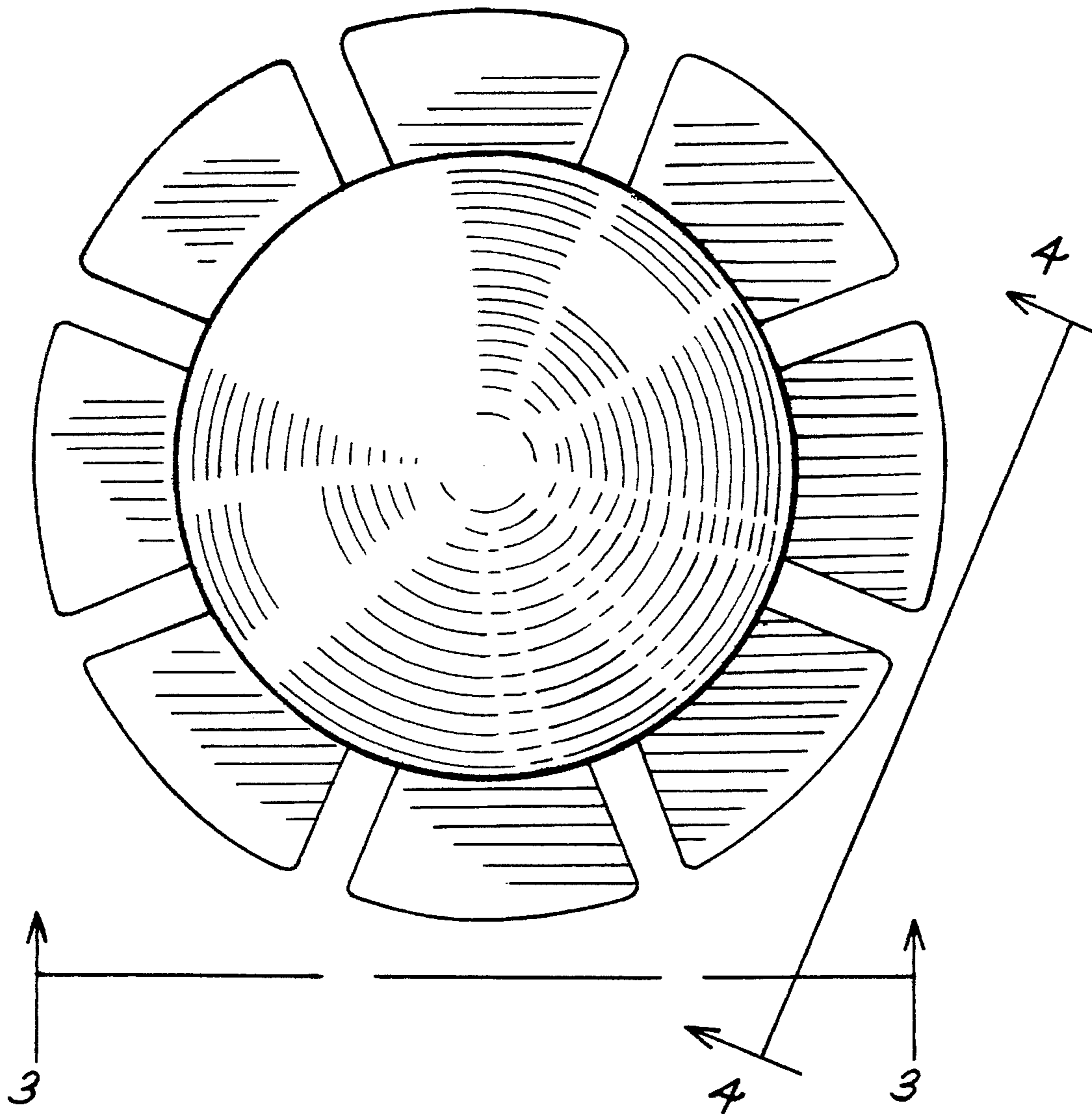
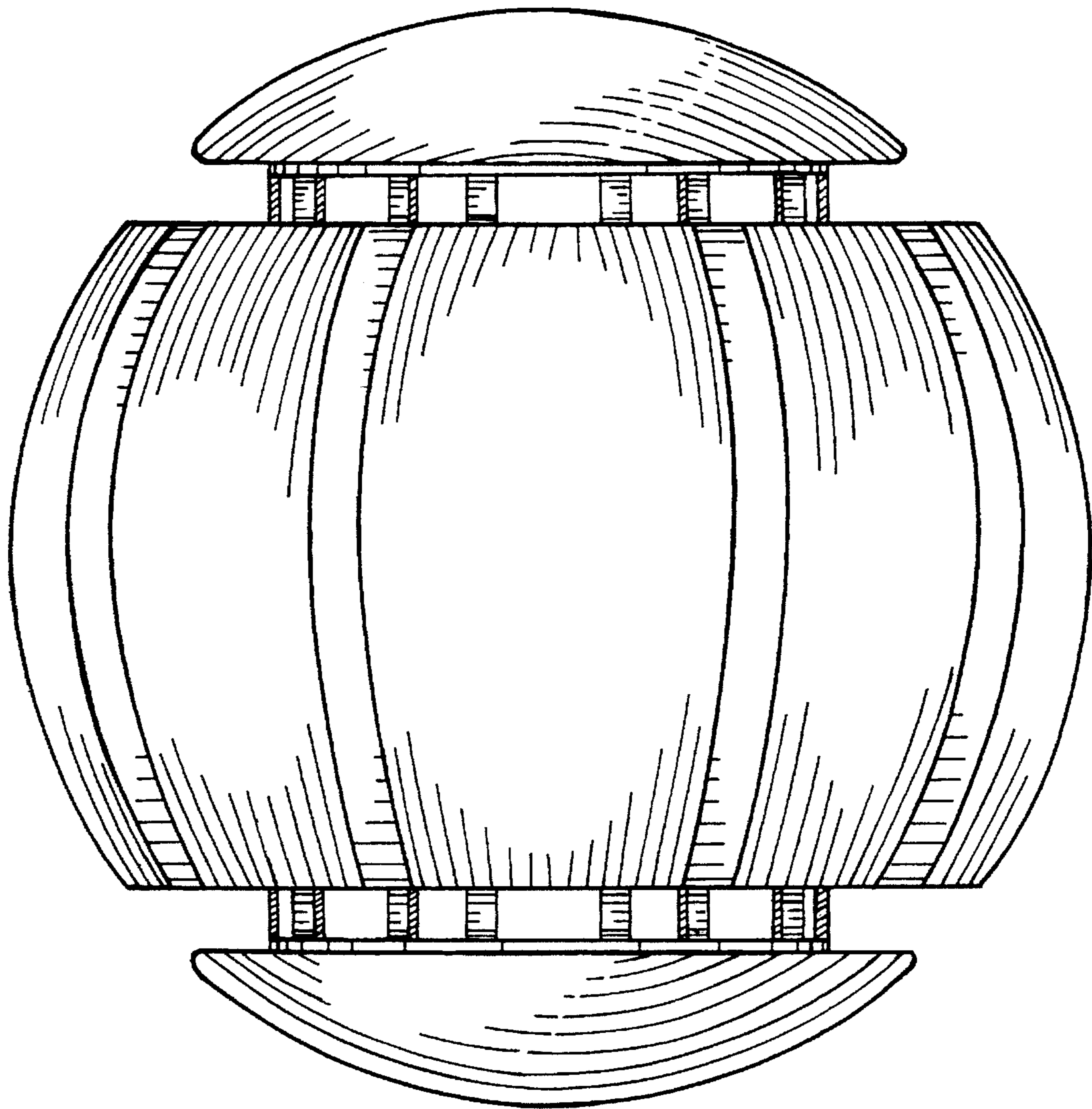
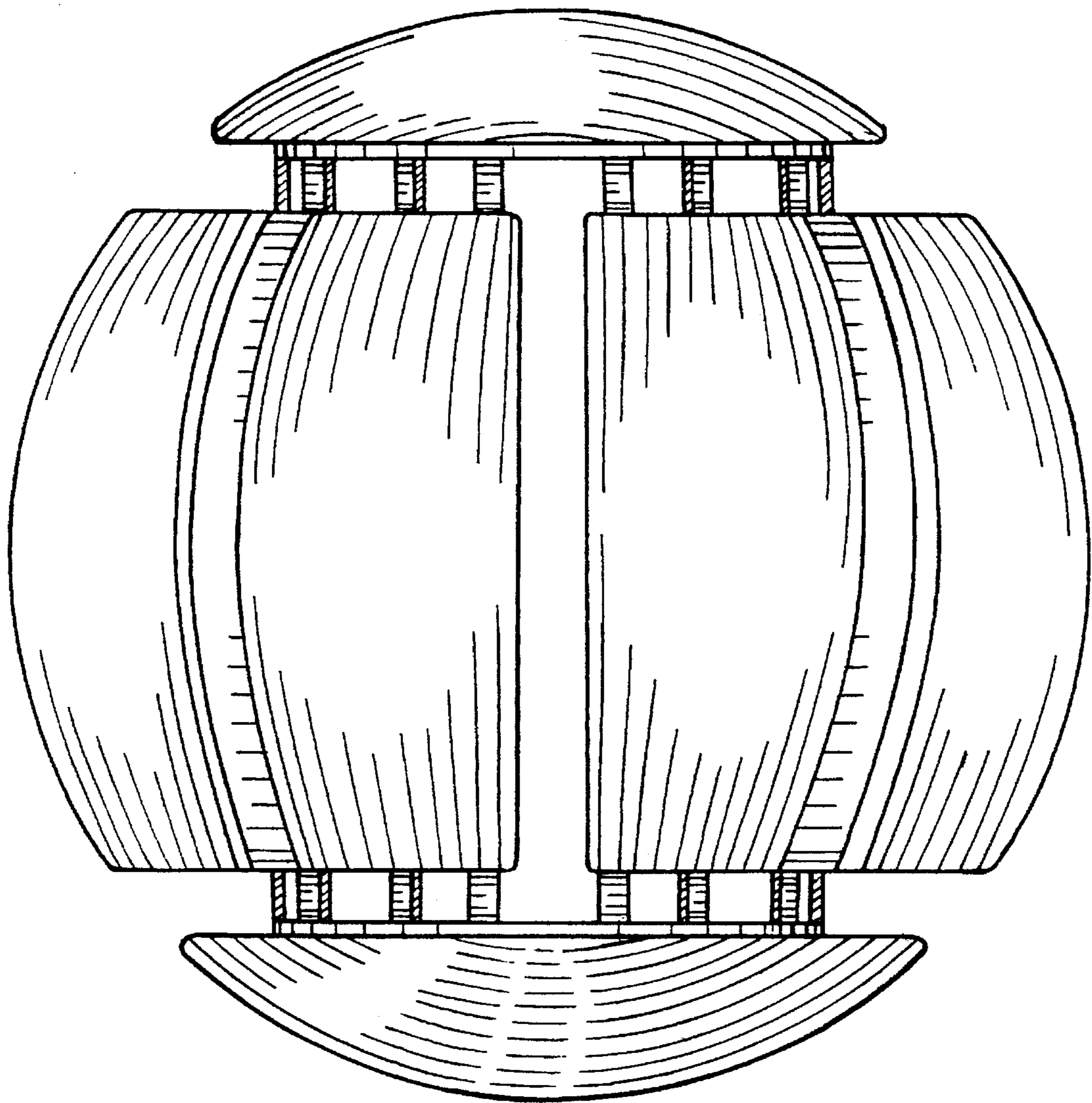


FIG. 2.



*FIG. 3.*



— FIG. 4.