



US00D370232S

United States Patent [19] Kerr

[11] Patent Number: **Des. 370,232**

[45] Date of Patent: ****May 28, 1996**

[54] CHECK WRITING MACHINE

[75] Inventor: **Bruce K. Kerr**, Wilmette, Ill.

[73] Assignee: **Paymaster Corporation**, Chicago, Ill.

[**] Term: **14 Years**

[21] Appl. No.: **32,865**

[22] Filed: **Dec. 30, 1994**

[52] U.S. Cl. **D18/5**

[58] Field of Search D18/5; D14/112;
235/17, 18, 19, 21, 58 CW

[56] **References Cited**

U.S. PATENT DOCUMENTS

D. 87,574	8/1932	Hedman	D18/5
D. 93,157	8/1934	Dreyfuss et al.	D18/5
D. 156,055	11/1949	Tammen	D18/5
3,241,481	3/1966	Gopperton	D18/5
4,995,315	2/1991	Koper et al.	400/207 X

OTHER PUBLICATIONS

Guernsey Office Supply Cat., 1988, p. 447 Paymaster check-writer.

Primary Examiner—Alan P. Douglas

Assistant Examiner—S. Snapp
Attorney, Agent, or Firm—Emrich & Dithmar

[57] **CLAIM**

The ornamental design for the check writing machine, as shown and described.

DESCRIPTION

FIG. 1, is a top perspective view of the check writing machine showing the new design;

FIG. 2, is a top plan view of the check writing machine of FIG. 1;

FIG. 3, is a front plan view of the check writing machine of FIG. 1;

FIG. 4, is a side view of the check writing machine of FIG. 1 showing the front of the machine on the right;

FIG. 5, is a side view of the check writing machine of FIG. 1 showing the front of the machine on the left; and,

FIG. 6, is a rear view of the check writing machine of FIG. 1.

1 Claim, 3 Drawing Sheets

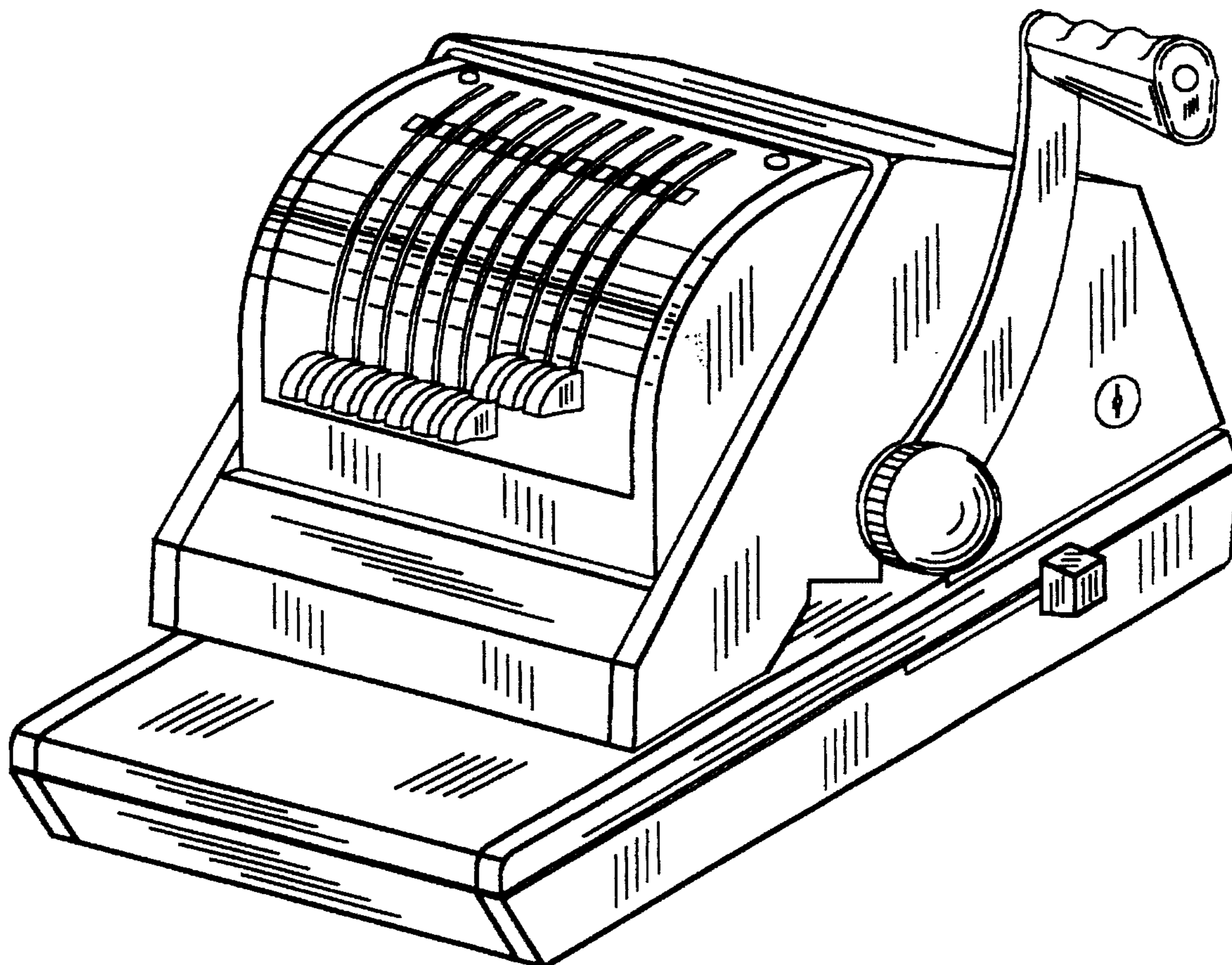


FIG. 1

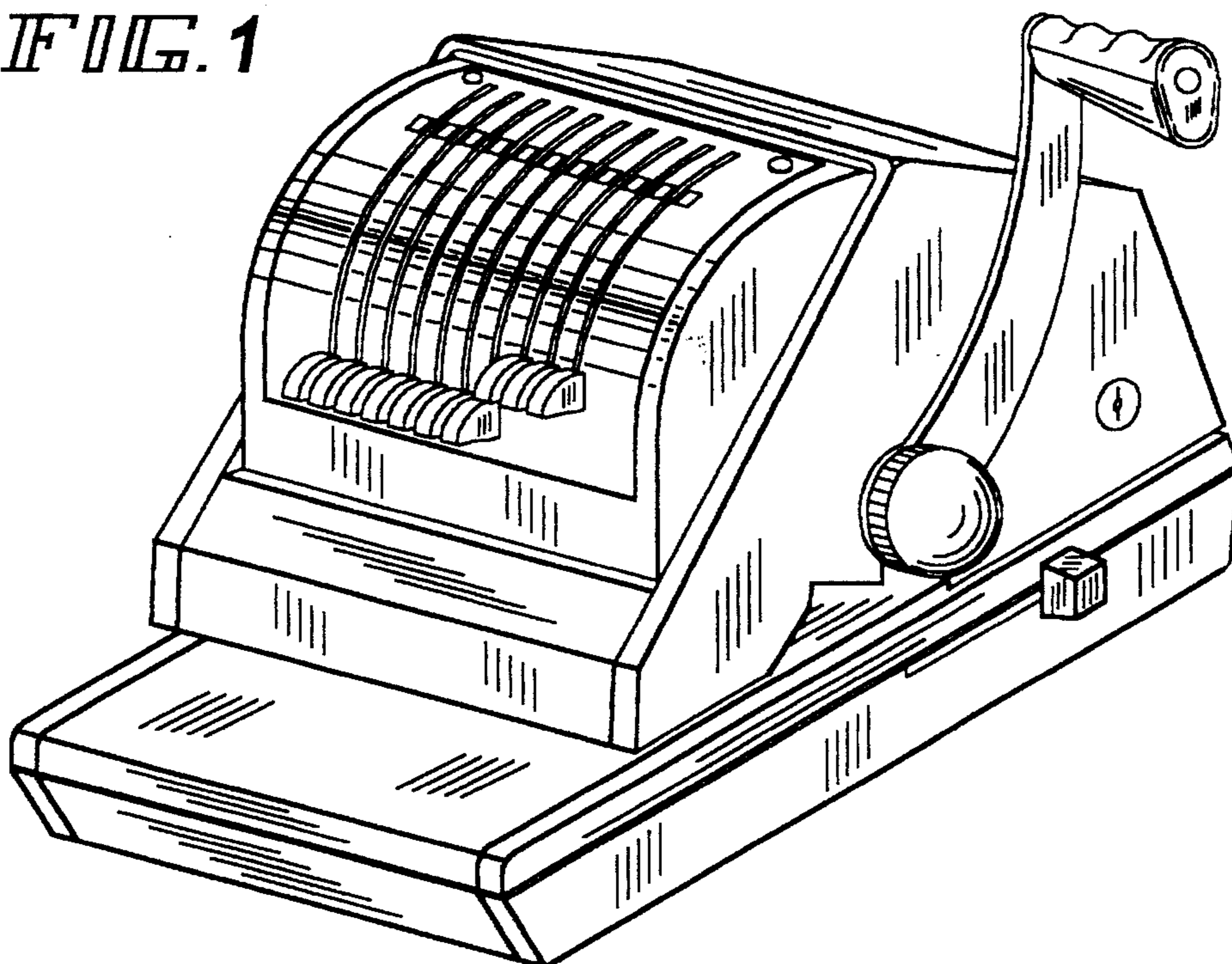


FIG. 2

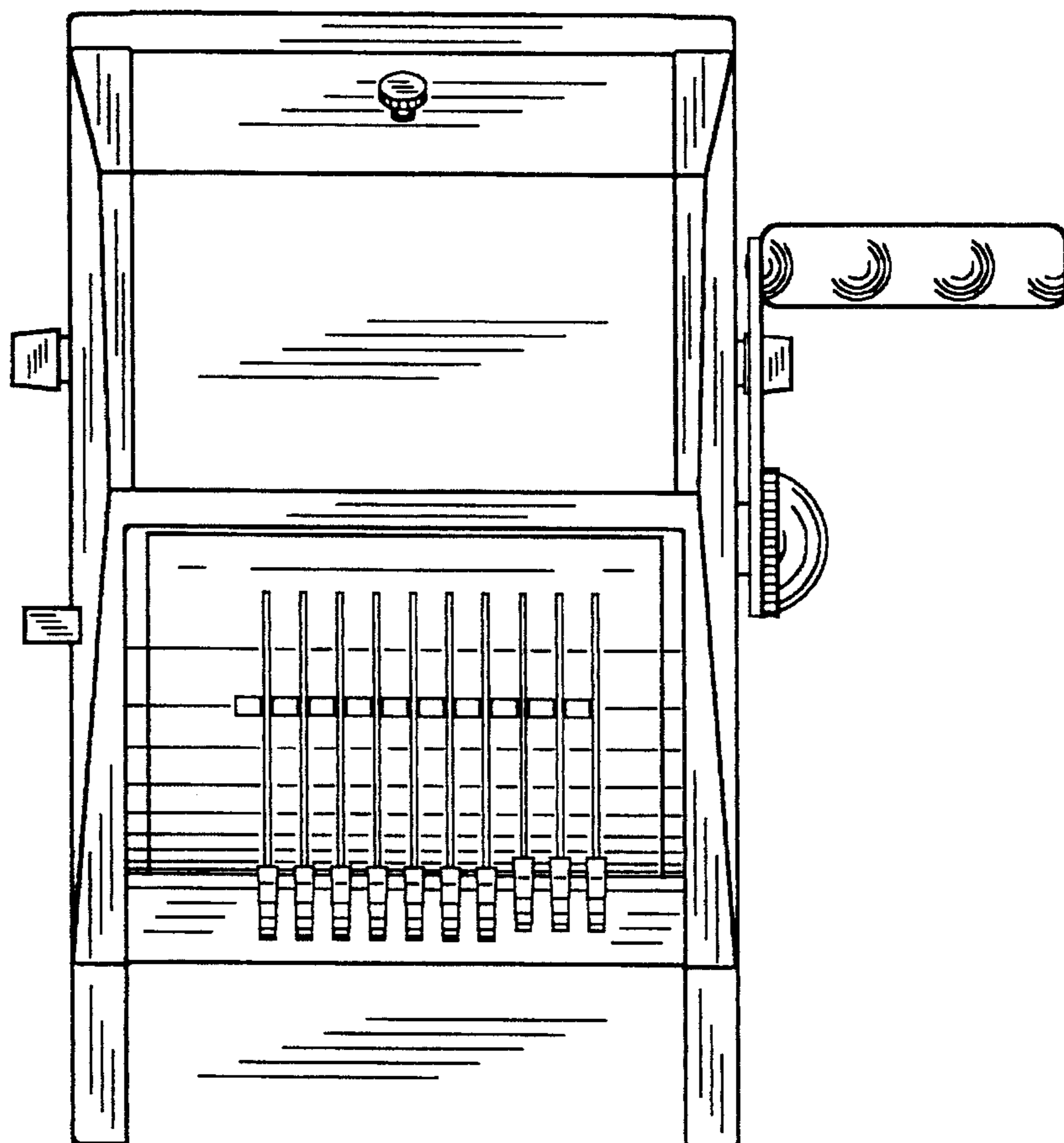


FIG. 3

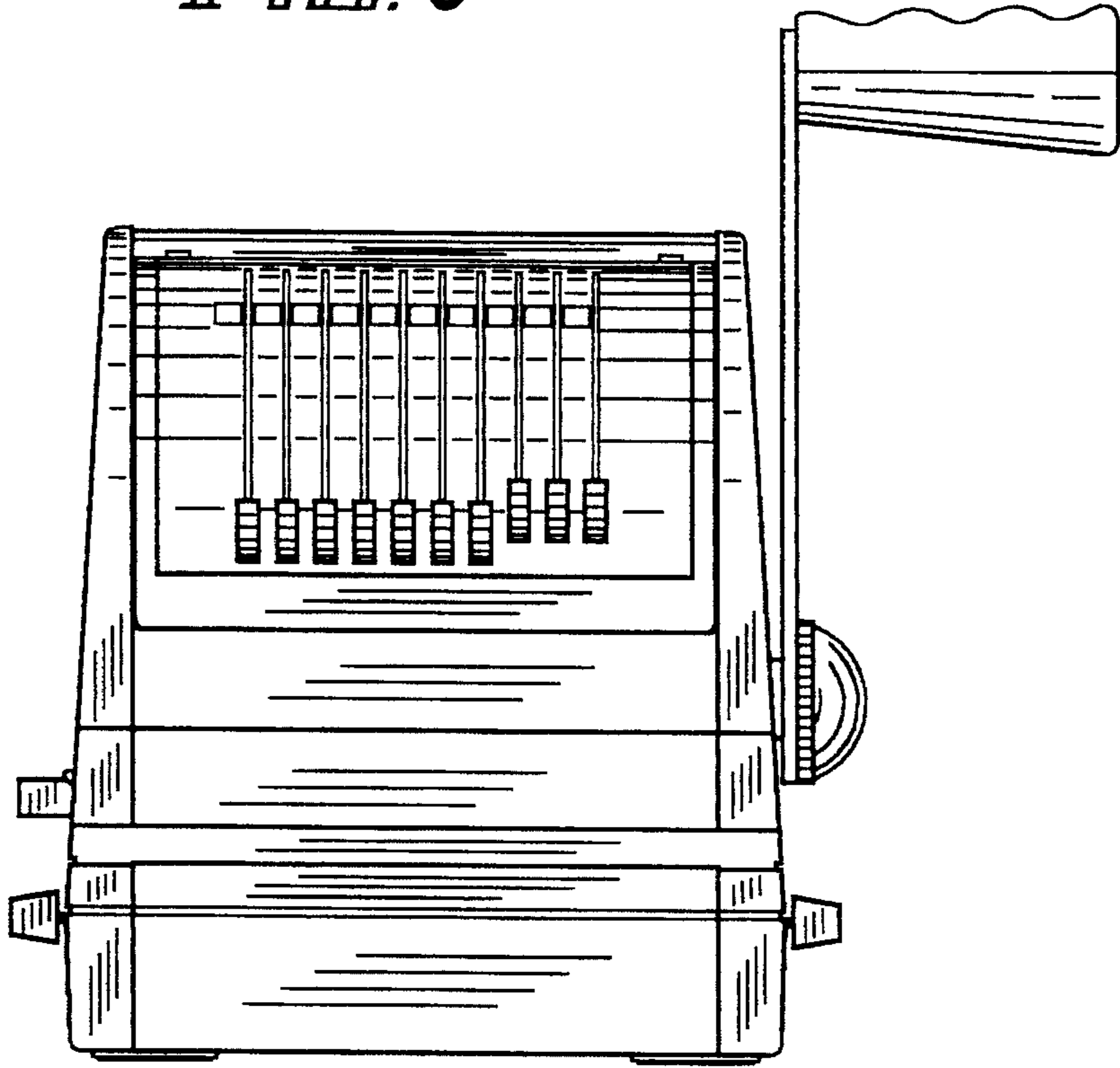


FIG. 4

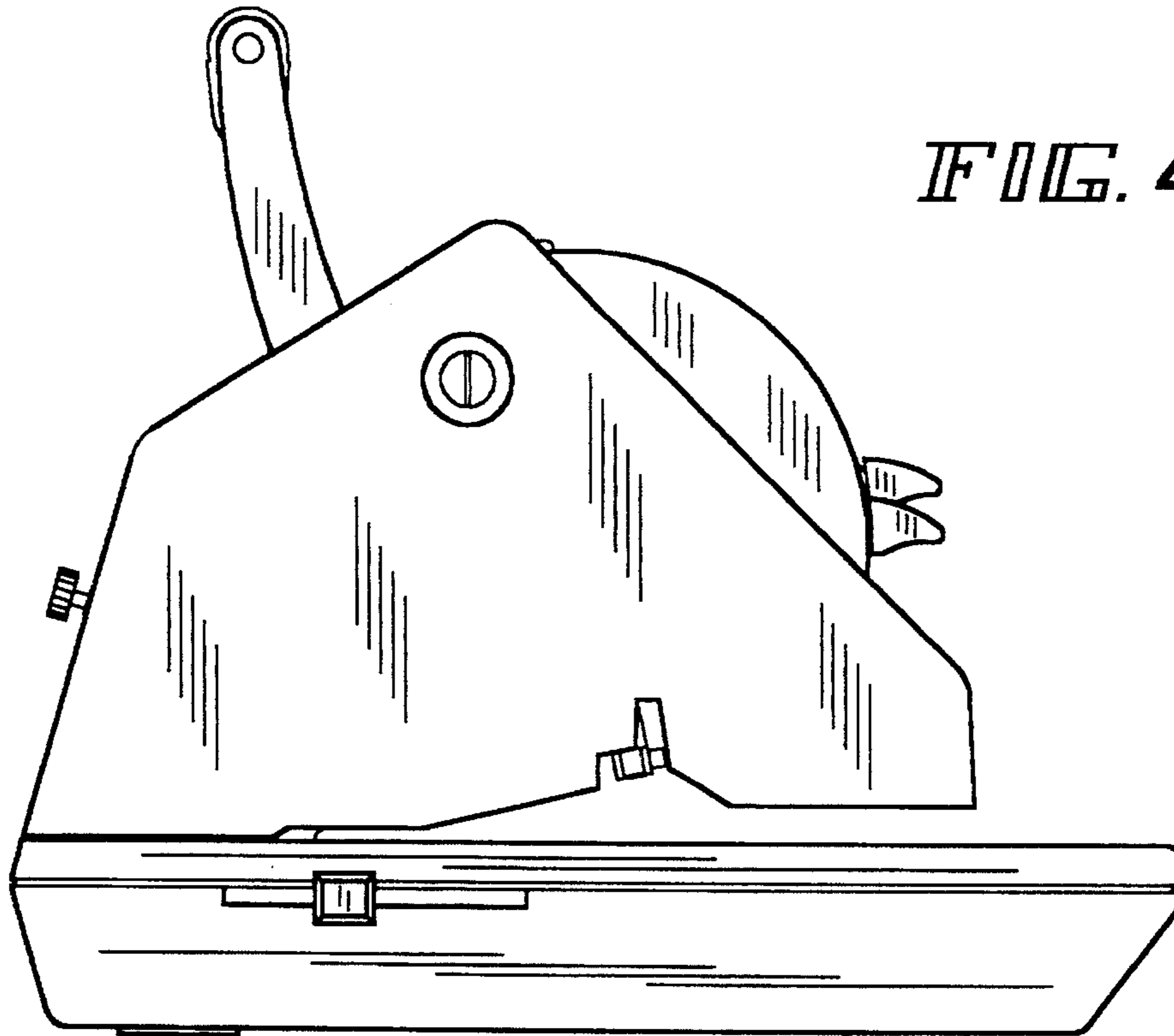


FIG. 5

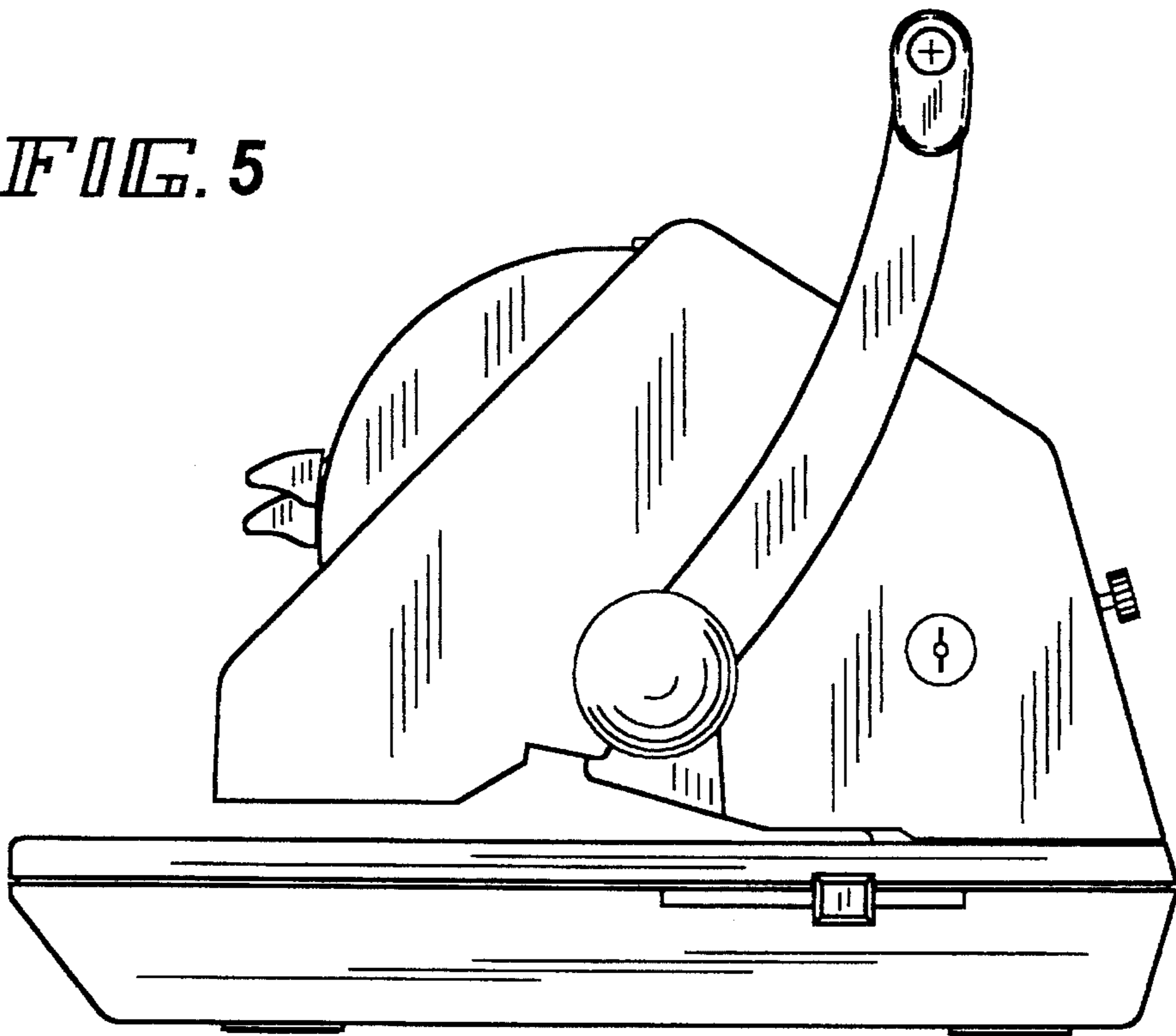


FIG. 6

