



US00D370231S

United States Patent [19] Simioni

[11] Patent Number: **Des. 370,231**

[45] Date of Patent: ****May 28, 1996**

[54] **SUNGLASSES**

3,517,393 6/1970 Beauchef D16/312
4,689,838 9/1987 Angermann et al. 2/436

[75] Inventor: **Luciano Simioni**, Montebelluna, Italy

[73] Assignee: **Killer Loop S.p.A.**, Pederobba, Italy

[**] Term: **14 Years**

[21] Appl. No.: **39,864**

[22] Filed: **Jun. 6, 1995**

[30] **Foreign Application Priority Data**

Dec. 12, 1994 [IT] Italy TV9400069

[52] U.S. Cl. **D16/312**

[58] Field of Search D16/309, 311-316,
D16/320, 323-329, 335, 338; 2/427, 432,
436, 447; 351/44, 51, 110, 111, 158

[56] **References Cited**

U.S. PATENT DOCUMENTS

D. 224,483 8/1972 Crestin-Billet D16/312
D. 292,329 10/1987 Vitaloni D16/312
D. 328,084 7/1992 Salce et al. D16/312
3,395,406 8/1968 Smith 2/436

OTHER PUBLICATIONS

Ski, 1993, p. 194.

Primary Examiner—Ted Shooman

Assistant Examiner—R. Barkai

Attorney, Agent, or Firm—Guido Modiano; Albert Josif

[57] **CLAIM**

The ornamental design for the sunglasses, as shown and described.

DESCRIPTION

FIG. 1 is a perspective view of sunglasses showing my new design;

FIG. 2 is a front elevational view thereof;

FIG. 3 is a rear elevational view thereof;

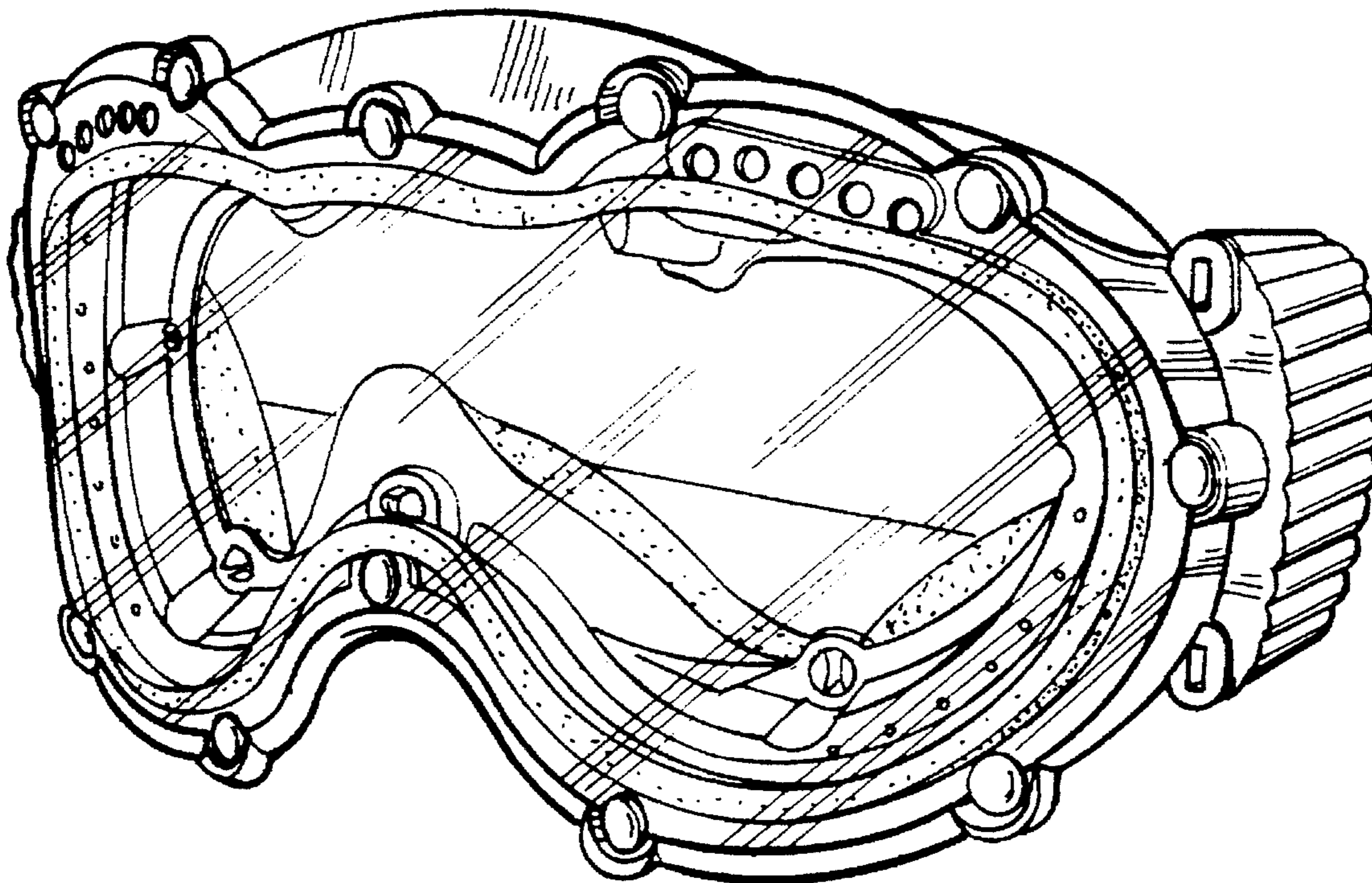
FIG. 4 is a right side elevational view thereof;

FIG. 5 is a left side elevational view thereof;

FIG. 6 is a top plan view thereof; and,

FIG. 7 is a bottom plan view thereof.

1 Claim, 3 Drawing Sheets



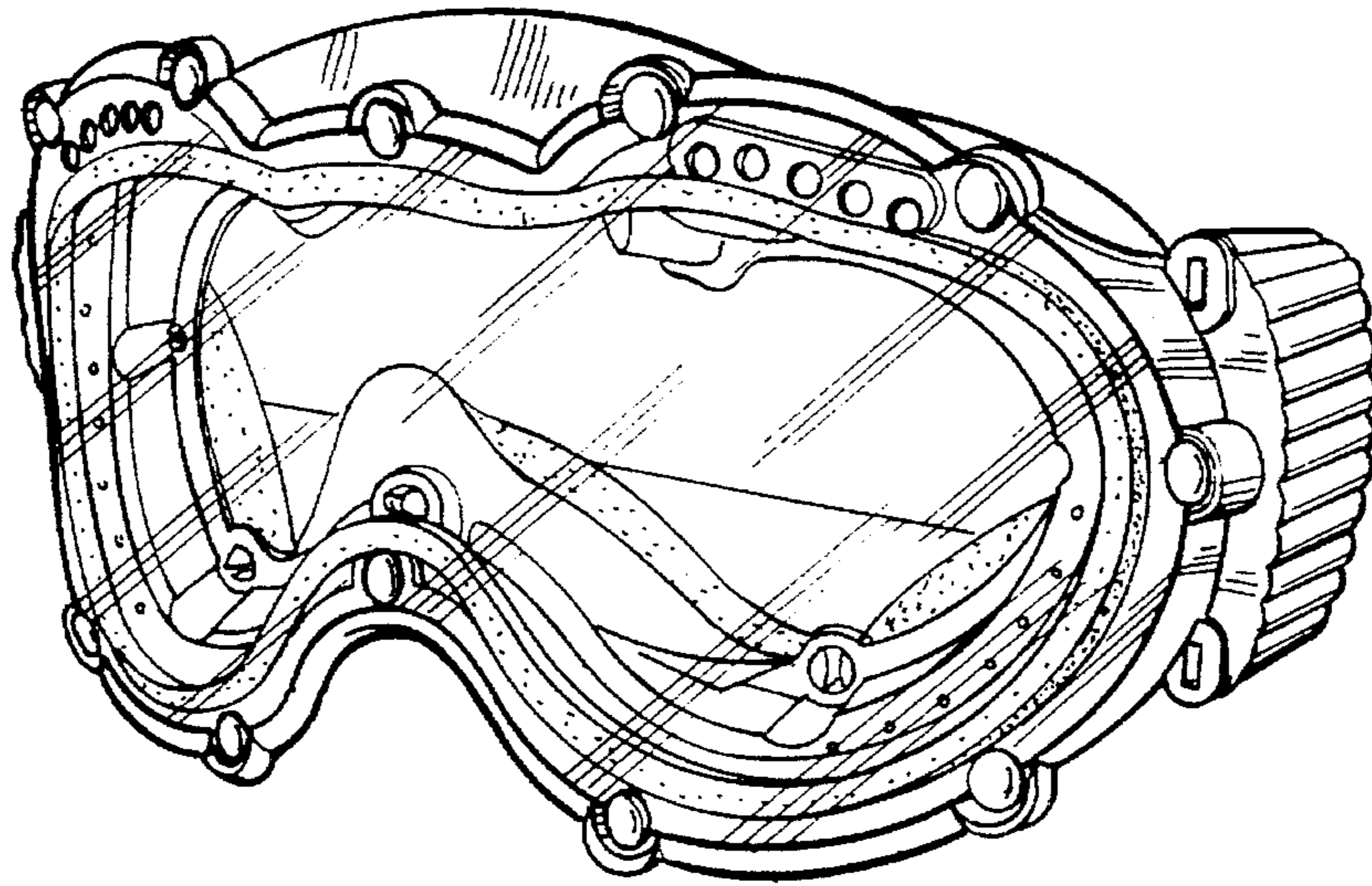


FIG. 1

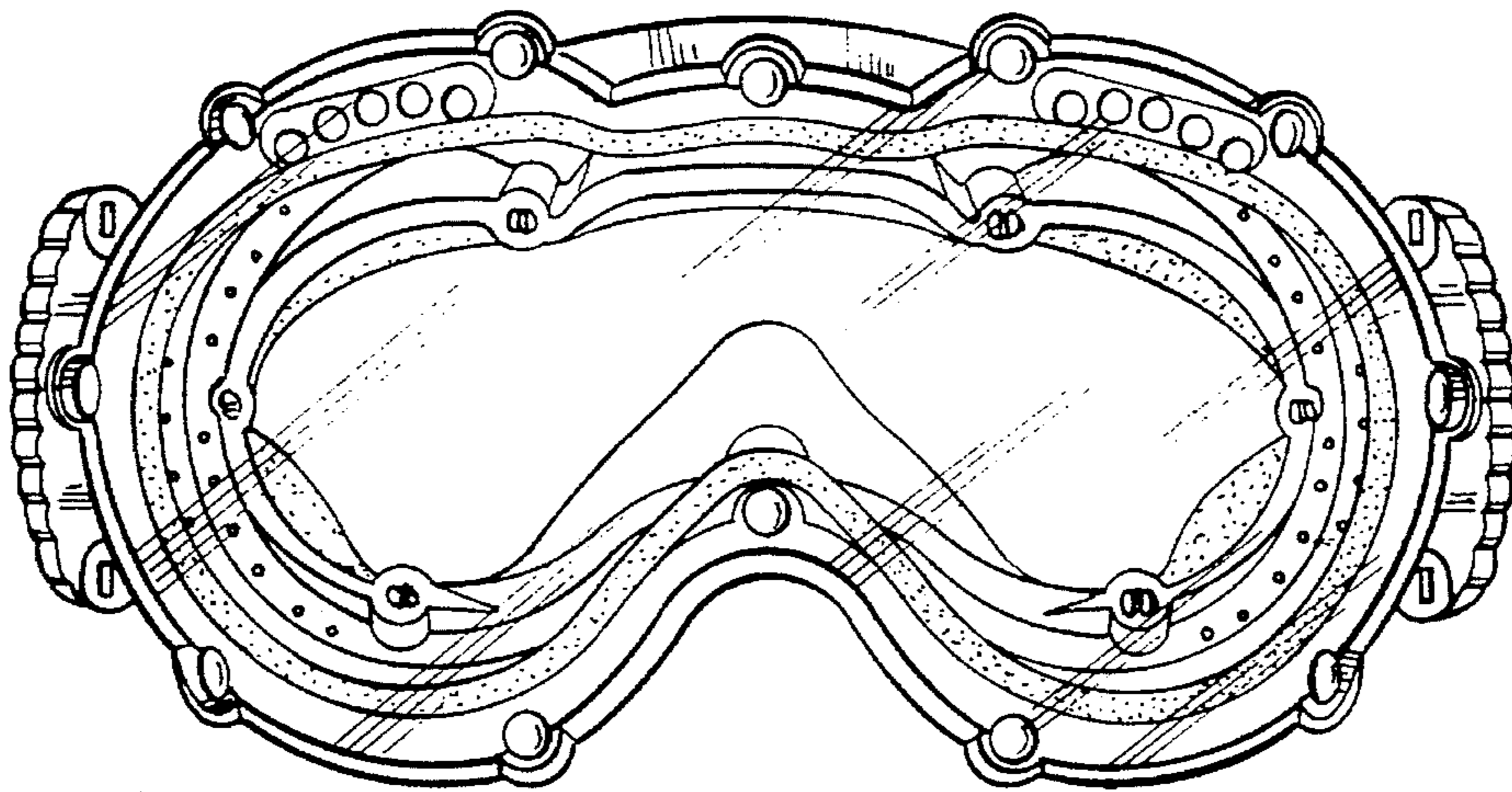


FIG. 2

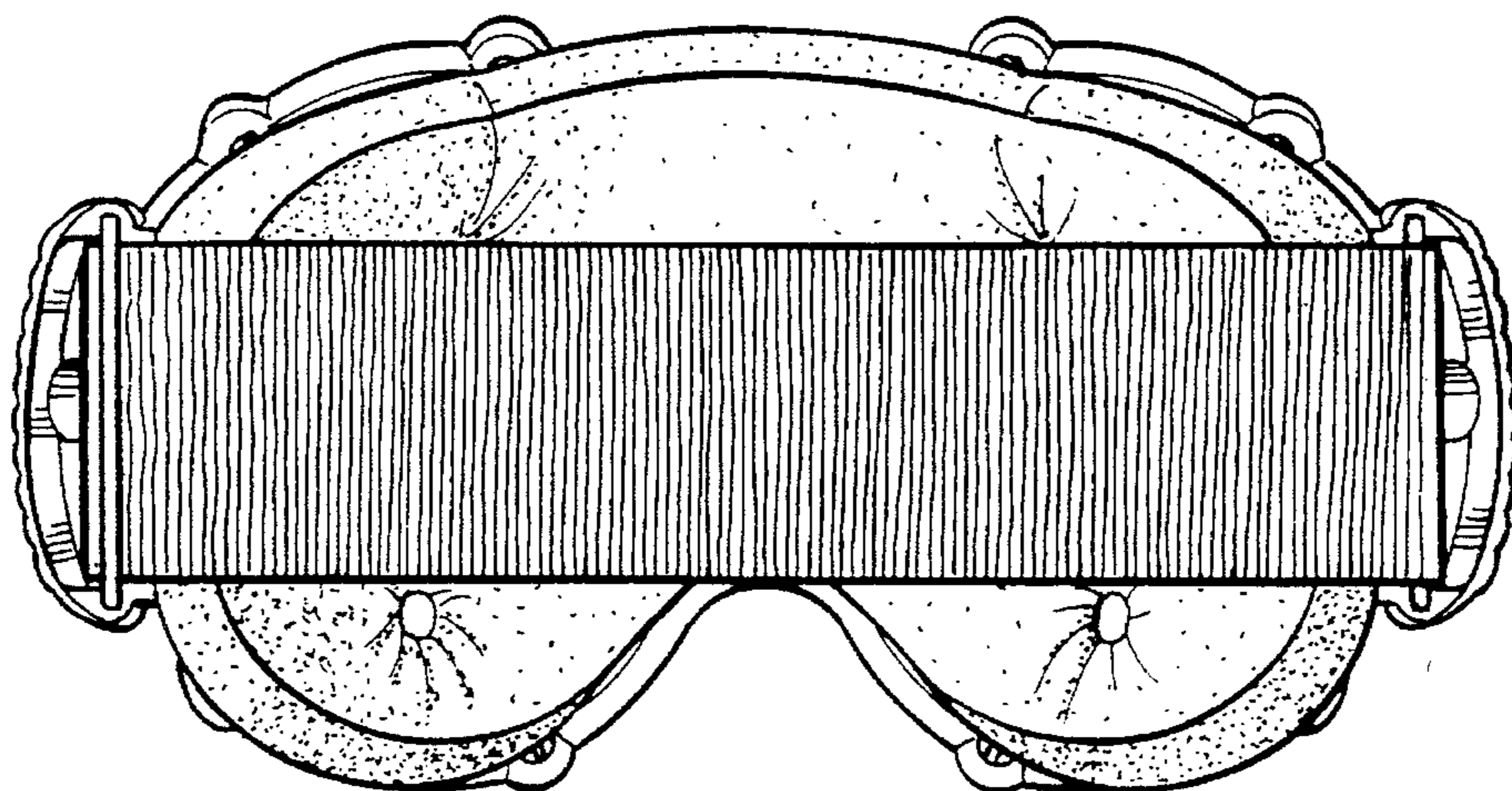


Fig. 3

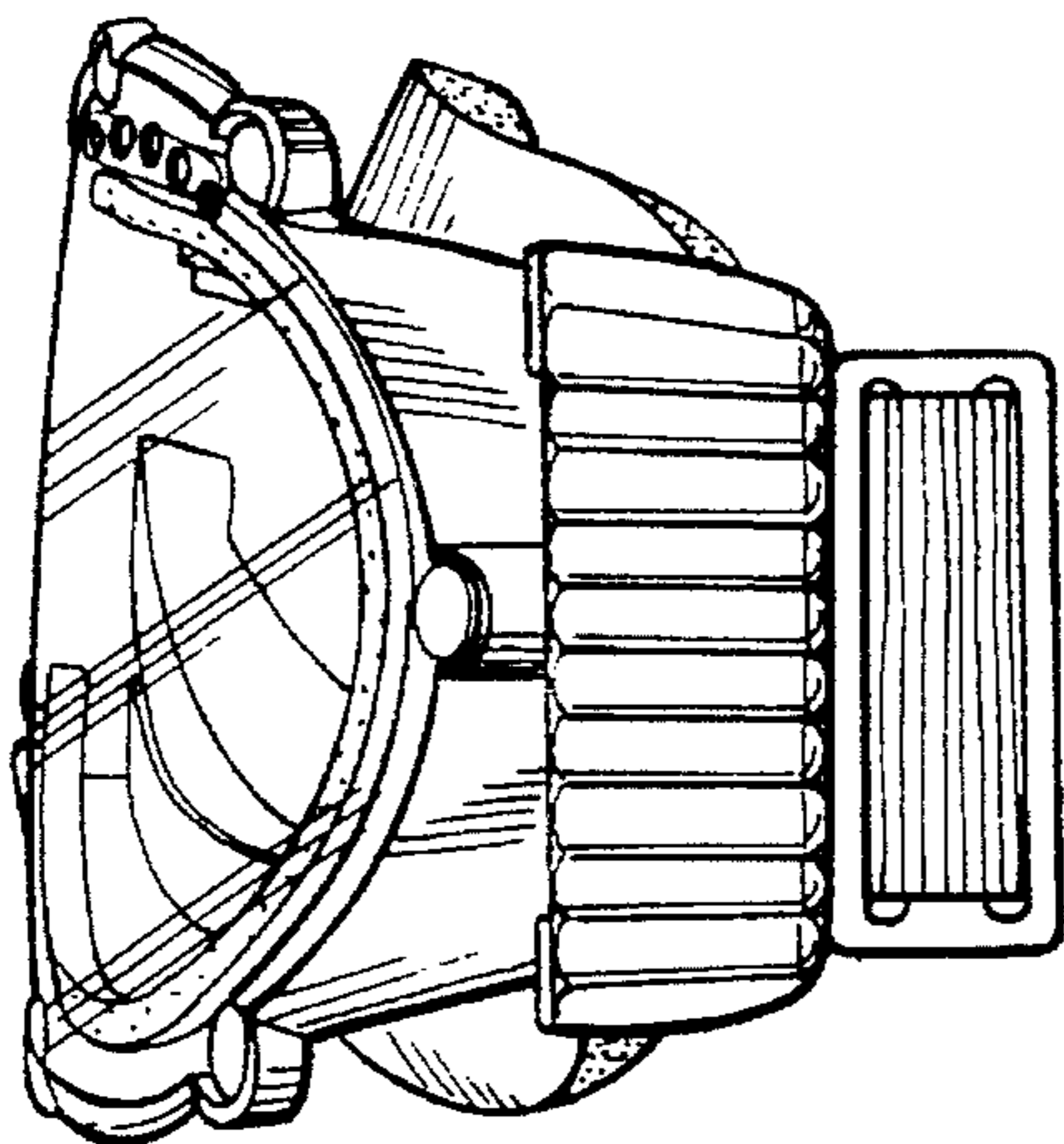


Fig. 4

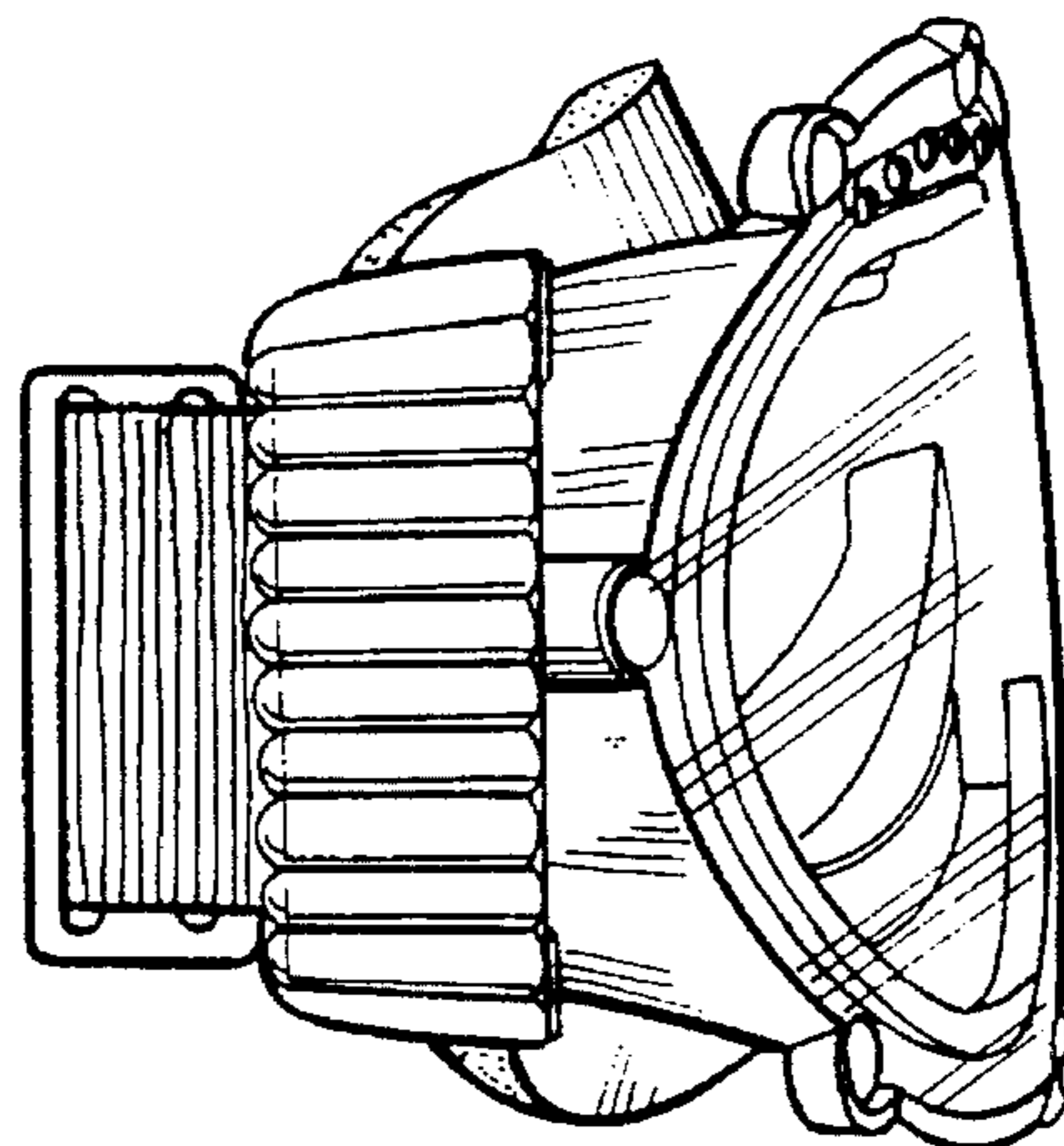


Fig. 5

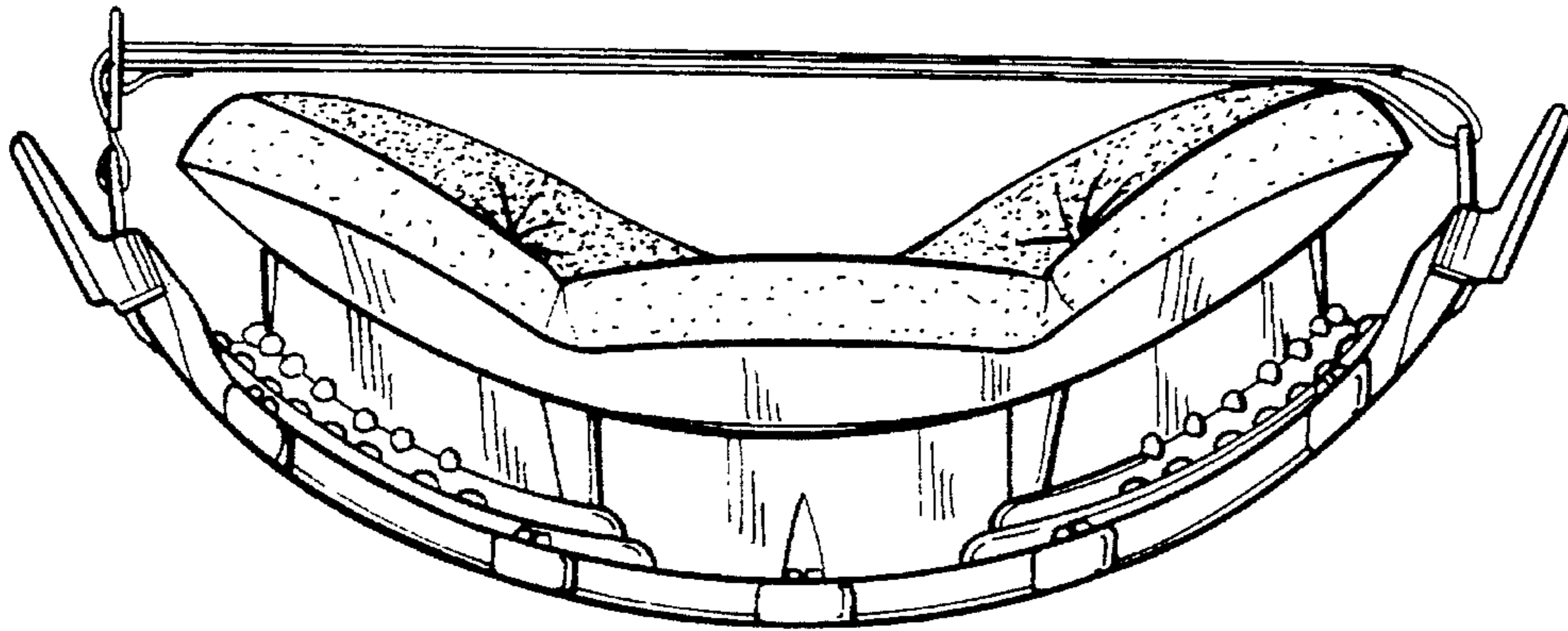


FIG. 6

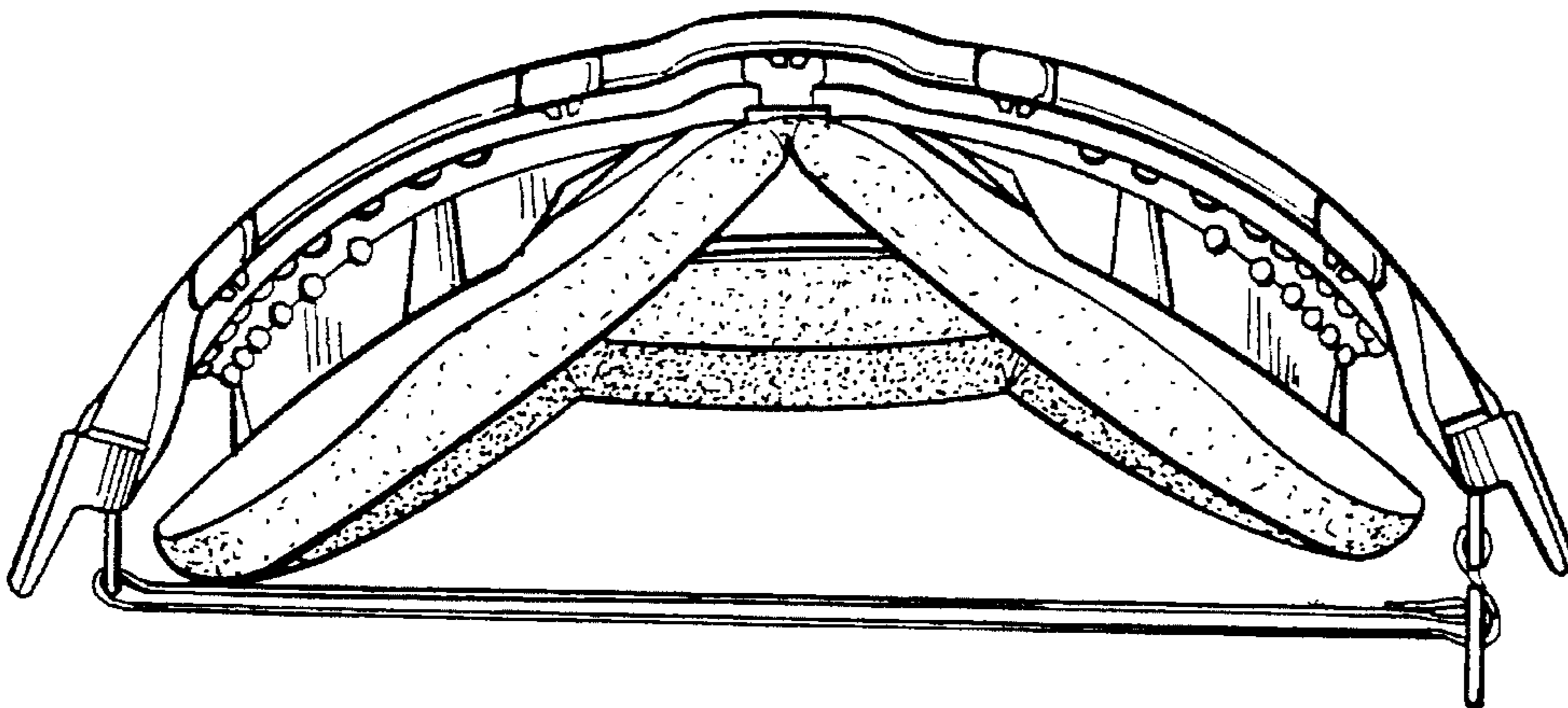


FIG. 7