



US00D370230S

United States Patent [19]
Simioni

[11] **Patent Number: Des. 370,230**

[45] **Date of Patent: **May 28, 1996**

- [54] **COMBINED SUNGLASSES WITH PROTECTION MASK** 5,107,543 4/1992 Hansen 2/427
- [75] Inventor: **Luciano Simioni**, Montebelluna, Italy
- [73] Assignee: **Killer Loop S.p.A.**, Pederobba, Italy
- [**] Term: **14 Years**
- [21] Appl. No.: **39,865**
- [22] Filed: **Jun. 6, 1995**
- [30] **Foreign Application Priority Data**
- Dec. 12, 1994 [IT] Italy TV9400069
- [52] **U.S. Cl.** **D16/309; D16/312**
- [58] **Field of Search** **D16/309, 311-316, D16/320, 323-329, 335, 338; 2/427, 432, 436, 447; 351/44, 51, 110, 111, 158**

[56] **References Cited**

U.S. PATENT DOCUMENTS

- | | | | | |
|------------|---------|----------------|-------|---------|
| D. 224,483 | 8/1972 | Crestin-Billet | | D16/312 |
| D. 292,329 | 10/1987 | Vitaloni | | D16/312 |
| D. 358,159 | 5/1995 | Lai | | D16/312 |
| 3,517,393 | 6/1970 | Beauchef | | D16/312 |
| 4,250,577 | 2/1981 | Smith | | 2/427 |
| 4,653,124 | 3/1987 | McNeal et al. | | 2/427 |

OTHER PUBLICATIONS

- Skiing Nov. 1993 p. 54, Mask top of page.
Skiing Nov. 1993 p. 193.
Skiing Nov. 1993 p. 16.

Primary Examiner—Ted Shooman
Assistant Examiner—R. Barkai
Attorney, Agent, or Firm—Guido Modiano; Albert Josif

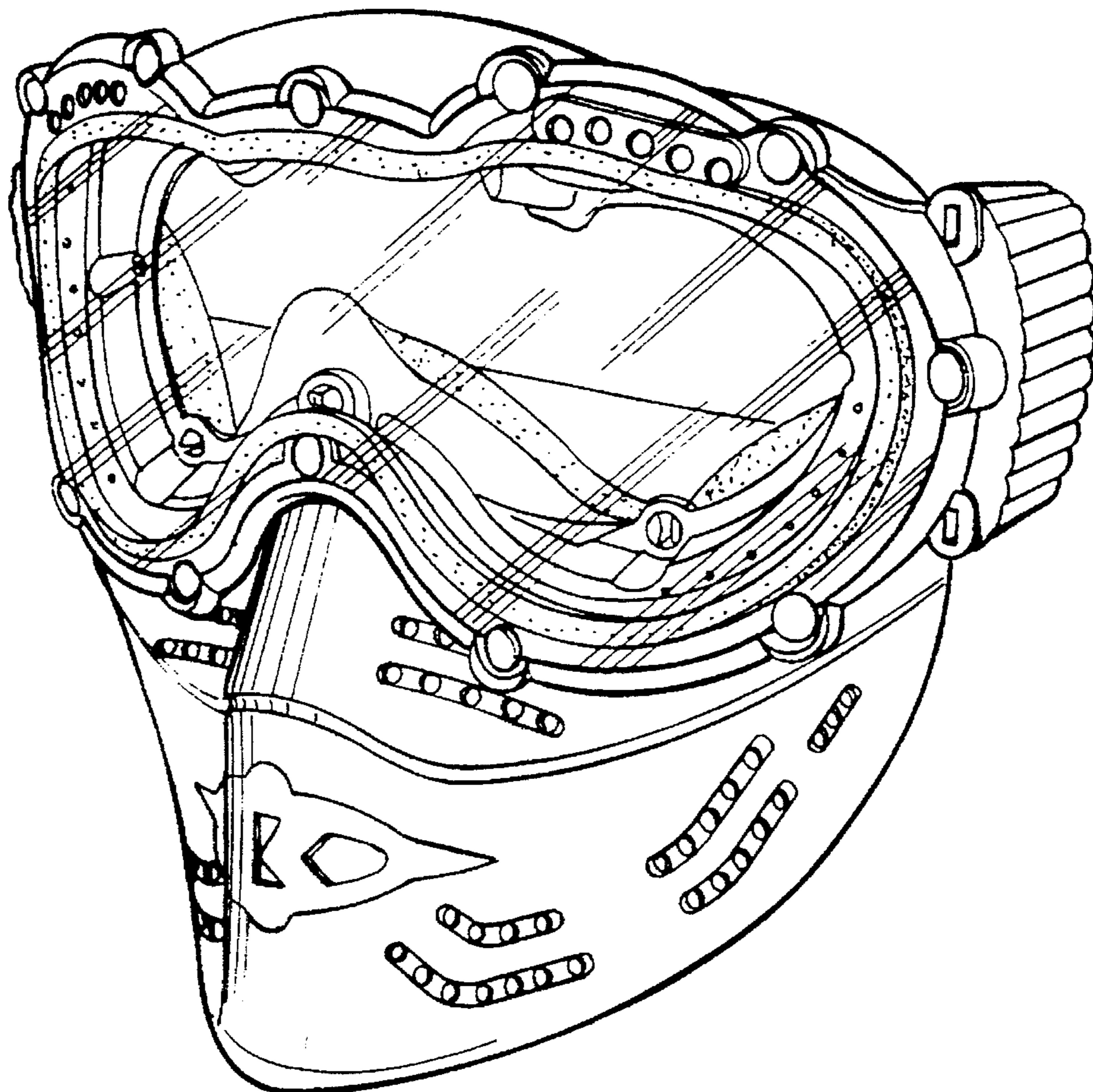
[57] **CLAIM**

The ornamental design for the combined sunglasses with protection mask, as shown and described.

DESCRIPTION

FIG. 1 is a perspective view of combined sunglasses with protection mask showing my new design;
FIG. 2 is a front elevational view thereof;
FIG. 3 is a rear elevational view thereof;
FIG. 4 is a right side elevational view thereof;
FIG. 5 is a left side elevational view thereof;
FIG. 6 is a top plan view thereof;
FIG. 7 is a bottom plan view thereof; and,
FIG. 8 is an exploded perspective view thereof, the mask and sunglasses are shown separately for ease of illustration only.

1 Claim, 4 Drawing Sheets



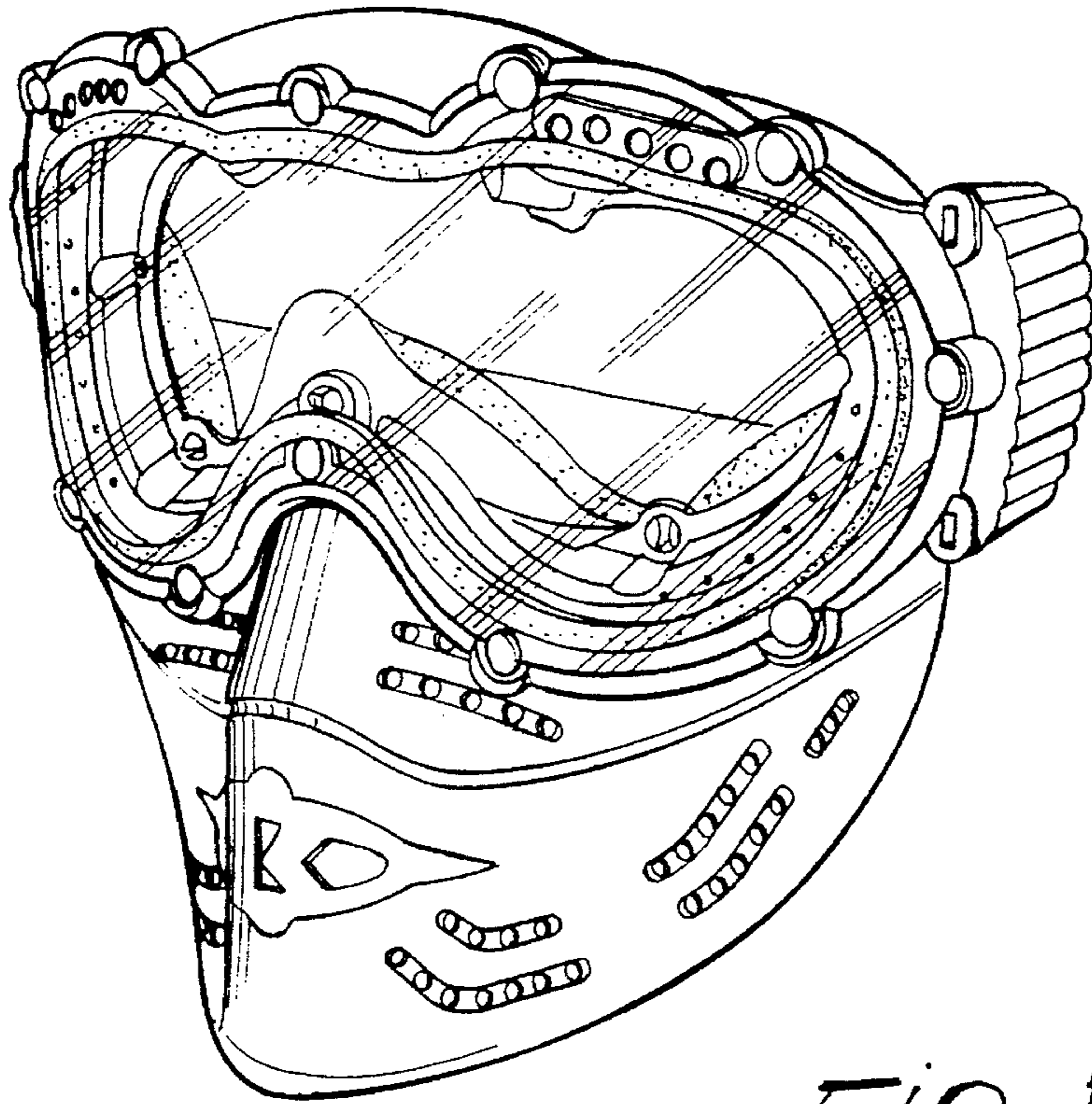


FIG. 1

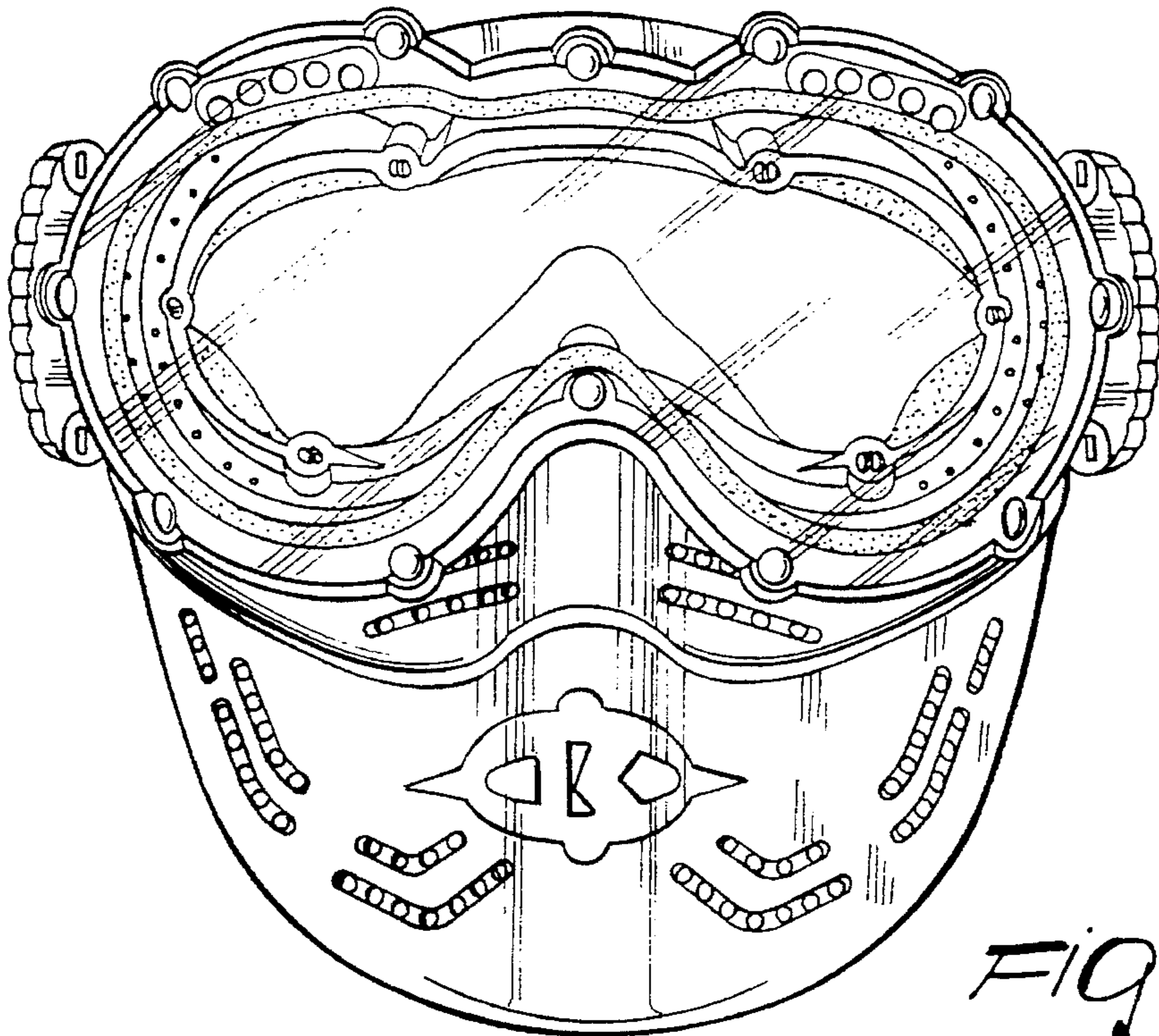


FIG. 2

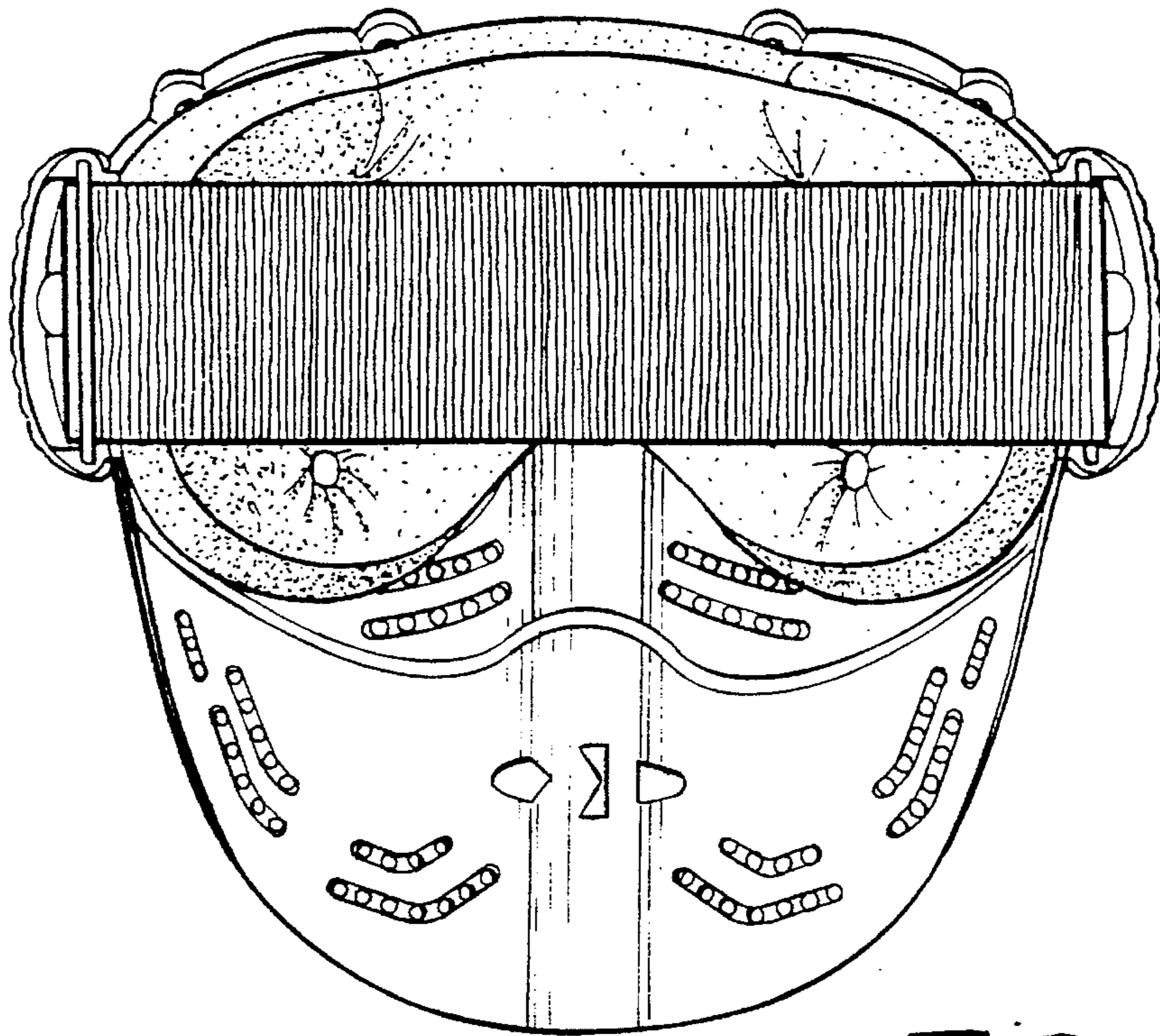


FIG. 3

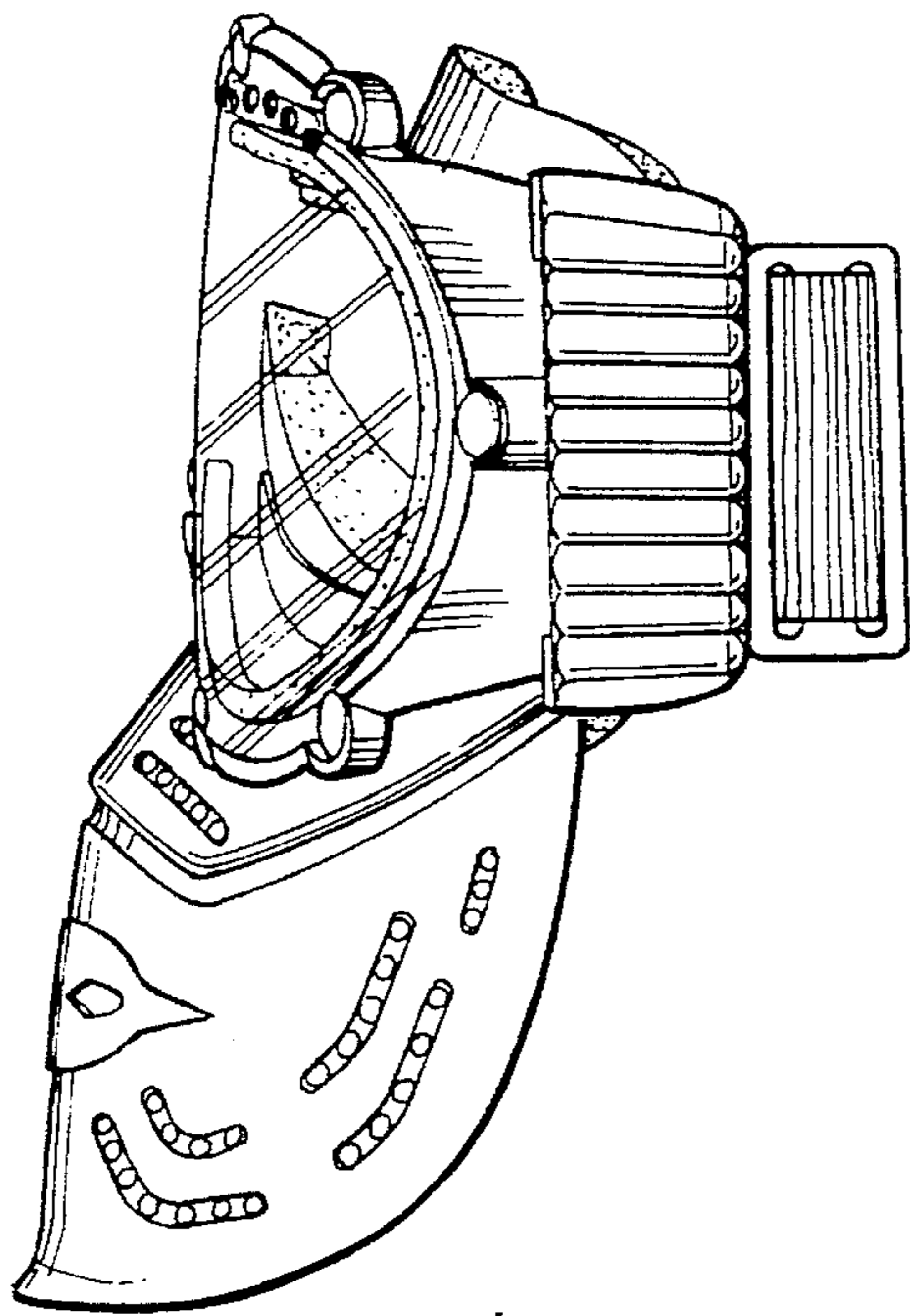


FIG. 4

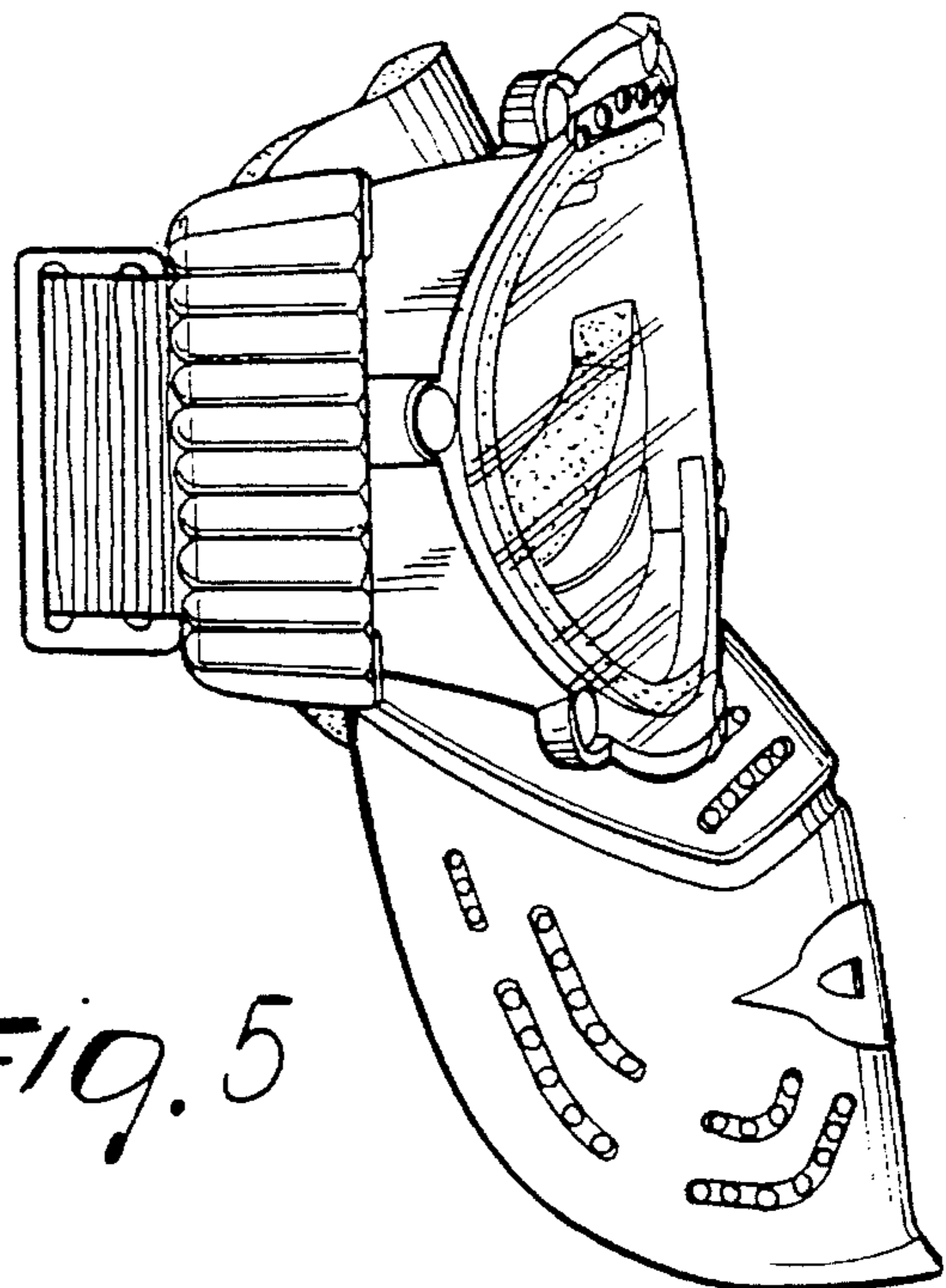


FIG. 5

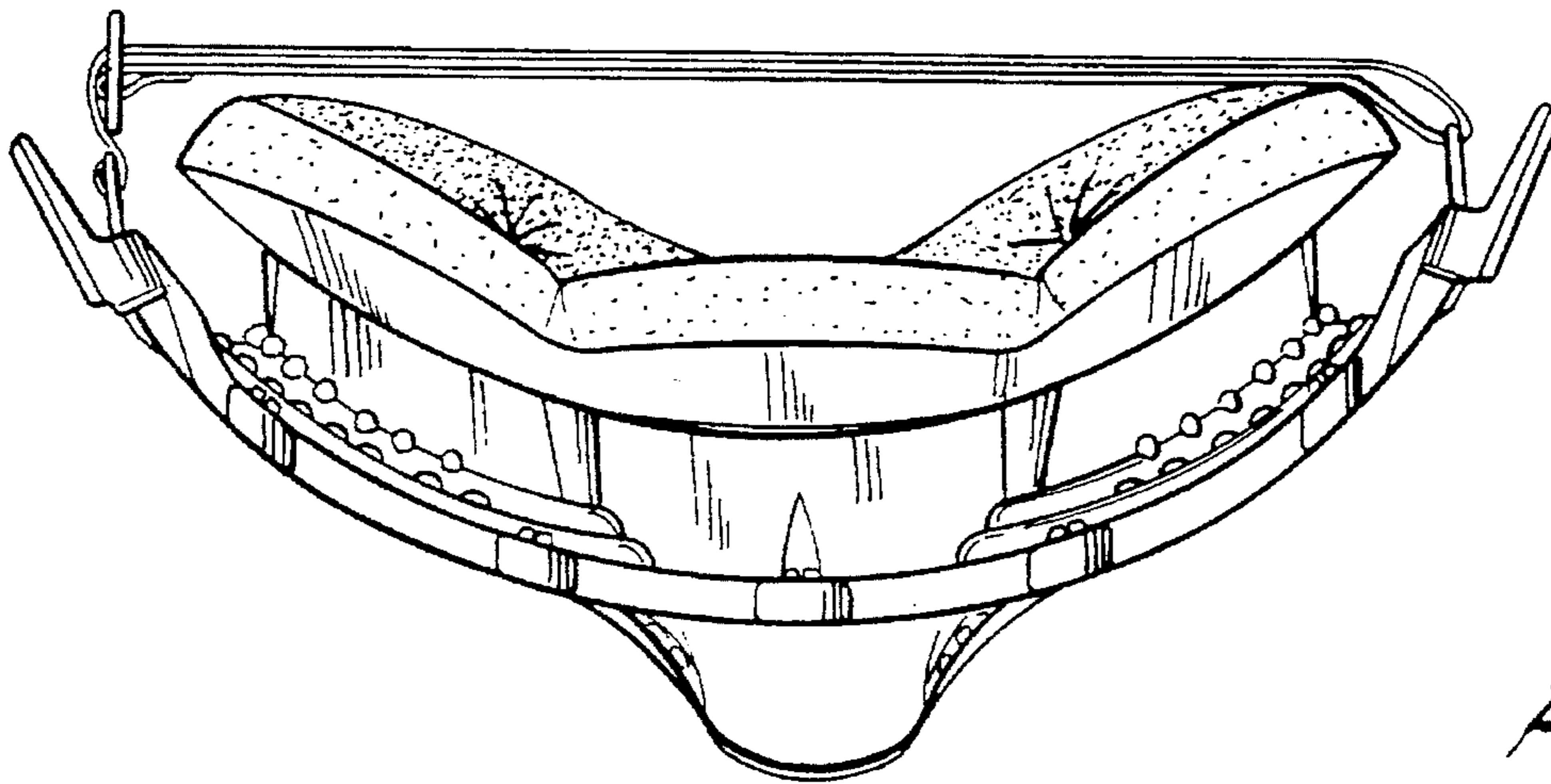


FIG. 6

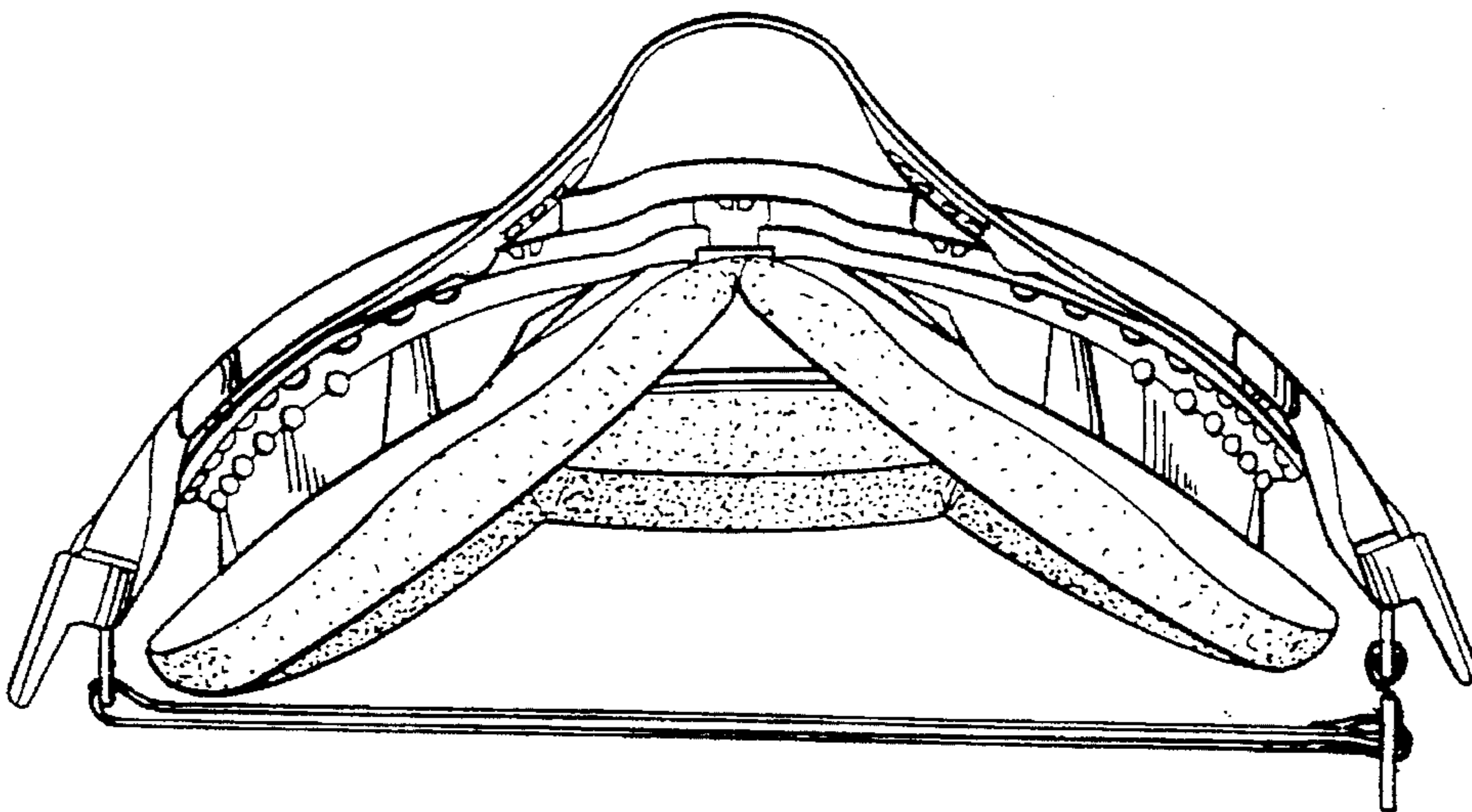


FIG. 7

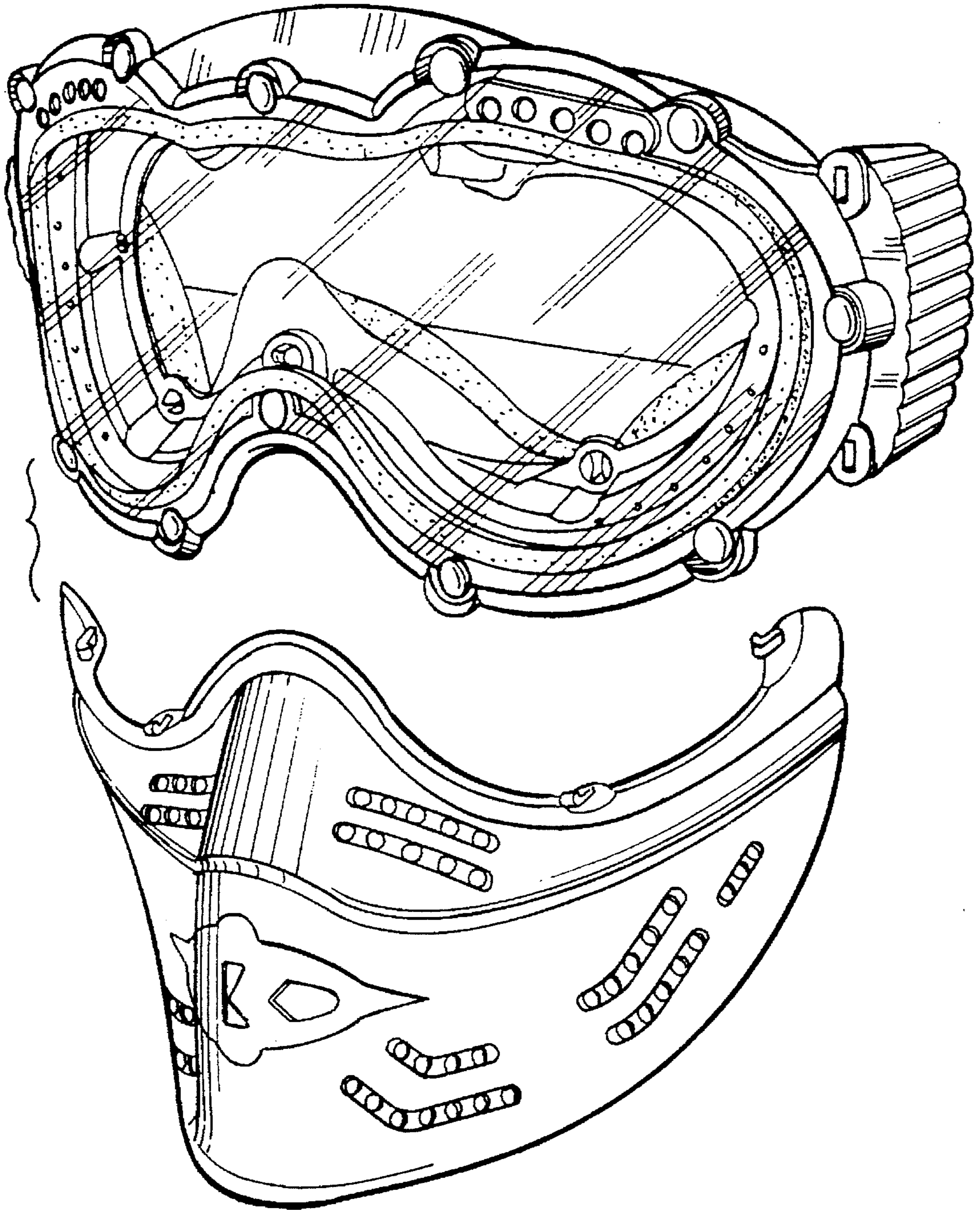


FIG. 8