



US00D370228S

United States Patent [19]

[11] Patent Number: Des. 370,228

Chapman et al.

[45] Date of Patent: **May 28, 1996

[54] CAMERA BACK

5,329,330 7/1994 Sakai et al. 354/288
5,349,410 9/1994 Kamata 354/288

[75] Inventors: Steven S. Chapman, Corfu; John K. McBride, Rochester; James G. Rydelek, Henrietta, all of N.Y.

FOREIGN PATENT DOCUMENTS

405232635 9/1993 Japan 354/202

[73] Assignee: Eastman Kodak Company, Rochester, N.Y.

Primary Examiner—Ted Shooman
Assistant Examiner—Adir Aronovich
Attorney, Agent, or Firm—Roger A. Fields

[**] Term: 14 Years

[57] CLAIM

[21] Appl. No.: 30,629

The ornamental design for a camera back, as shown.

[22] Filed: Nov. 3, 1994

DESCRIPTION

[52] U.S. Cl. D16/219

[58] Field of Search D16/200-204,
D16/208, 209, 216-218; 354/63, 64, 145.1,
149.11, 202, 288

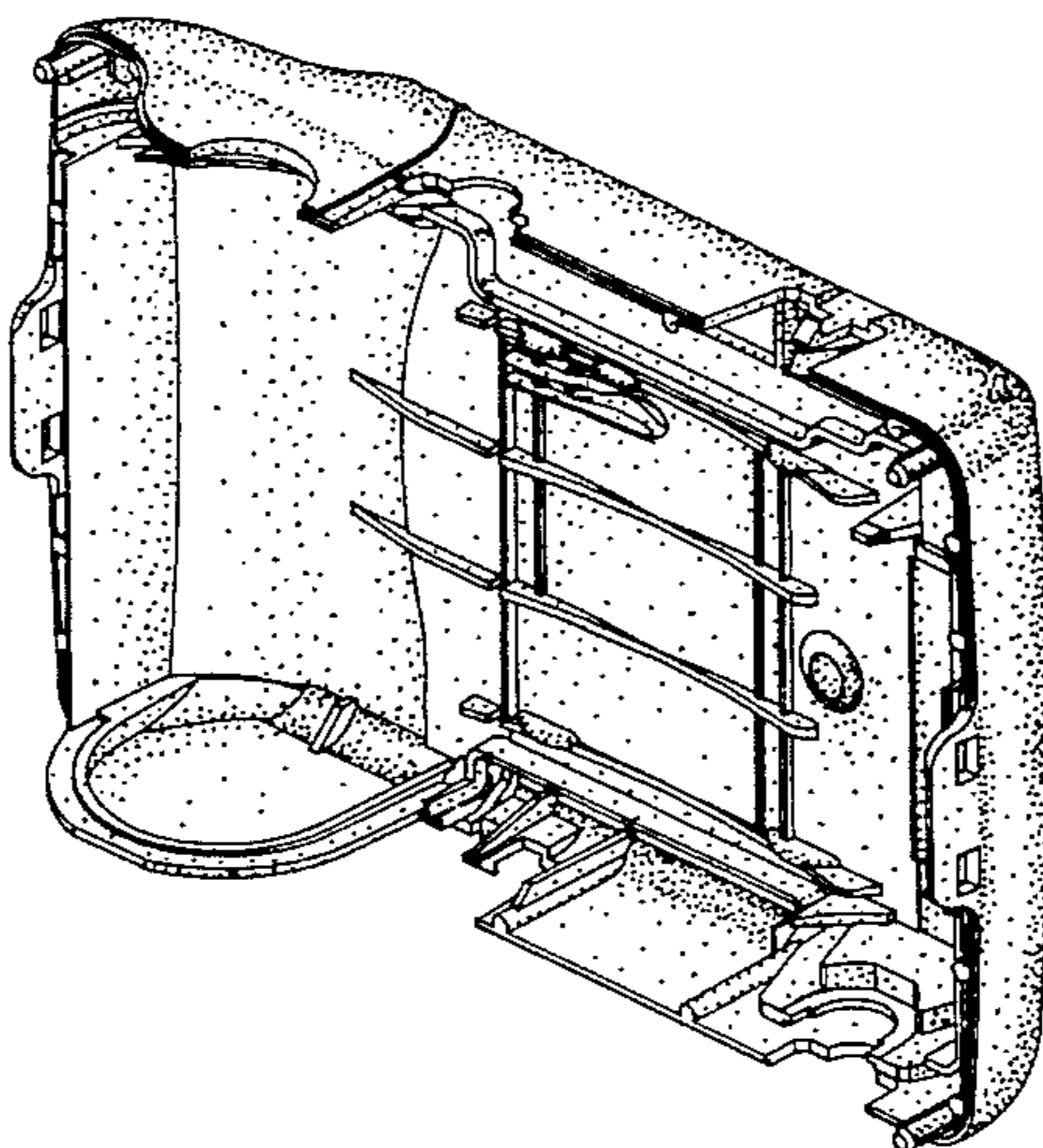
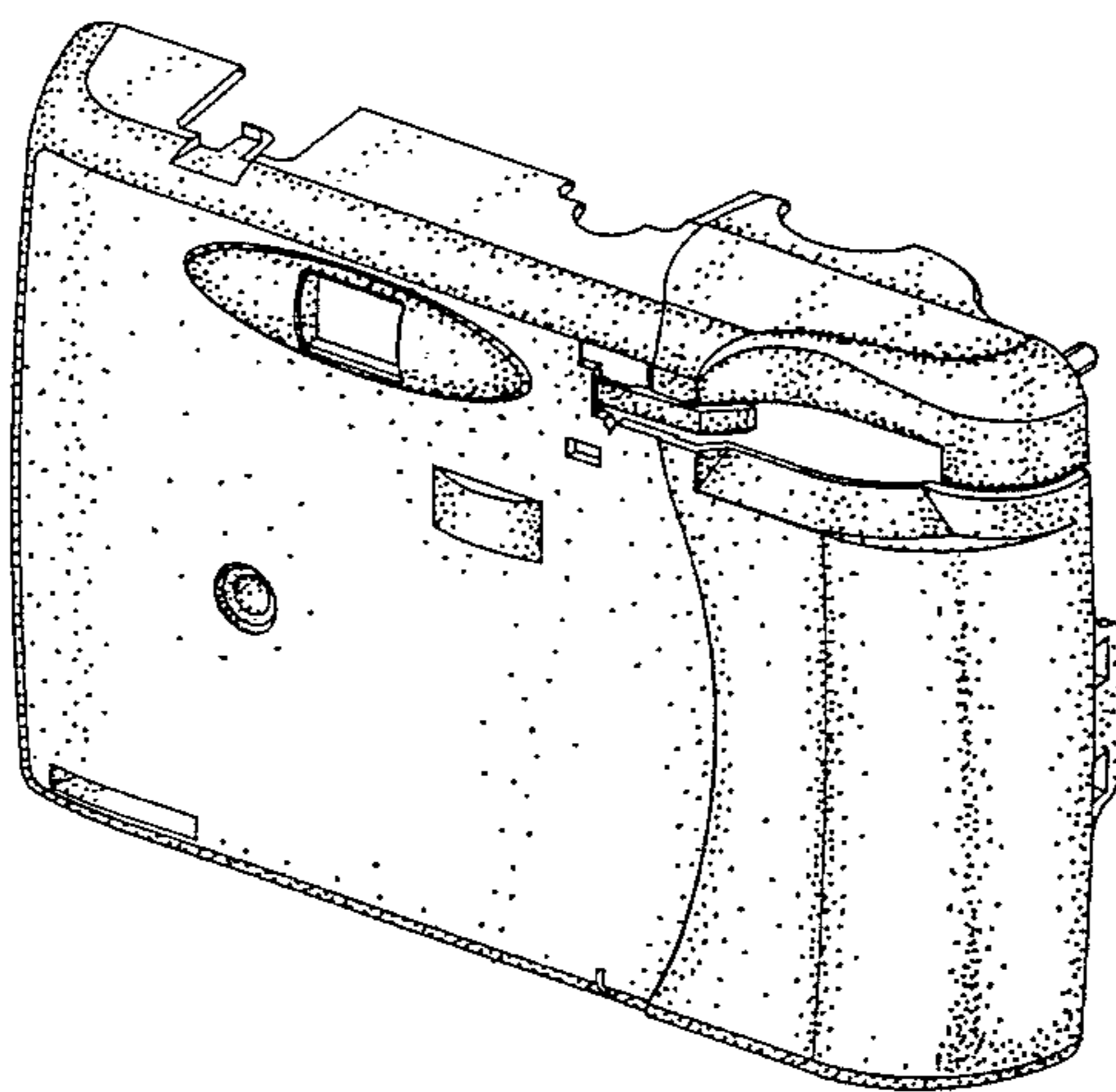
FIG. 1 is a front (outsideside), top, right-side perspective view of a camera back, showing our new design;
FIG. 2 is a front elevation view thereof;
FIG. 3 is a rear (innerside) elevation view thereof;
FIG. 4 is a top plan view thereof;
FIG. 5 is a bottom plan view thereof, rotated at 180°;
FIG. 6 is a right-side elevation view thereof;
FIG. 7 is a left-side elevation view thereof;
FIG. 8 is a rear, top, right-side perspective view thereof; and,
FIG. 9 is a rear, upside-down perspective view thereof.

[56] References Cited

U.S. PATENT DOCUMENTS

D. 289,055	3/1987	Fichter	D16/219
D. 317,169	5/1991	Isozaki	D16/218
D. 330,039	10/1992	Shull et al.	D16/209
3,943,537	3/1976	Lange	354/288
4,954,858	9/1990	Ohmura et al.	354/145.1

1 Claim, 9 Drawing Sheets



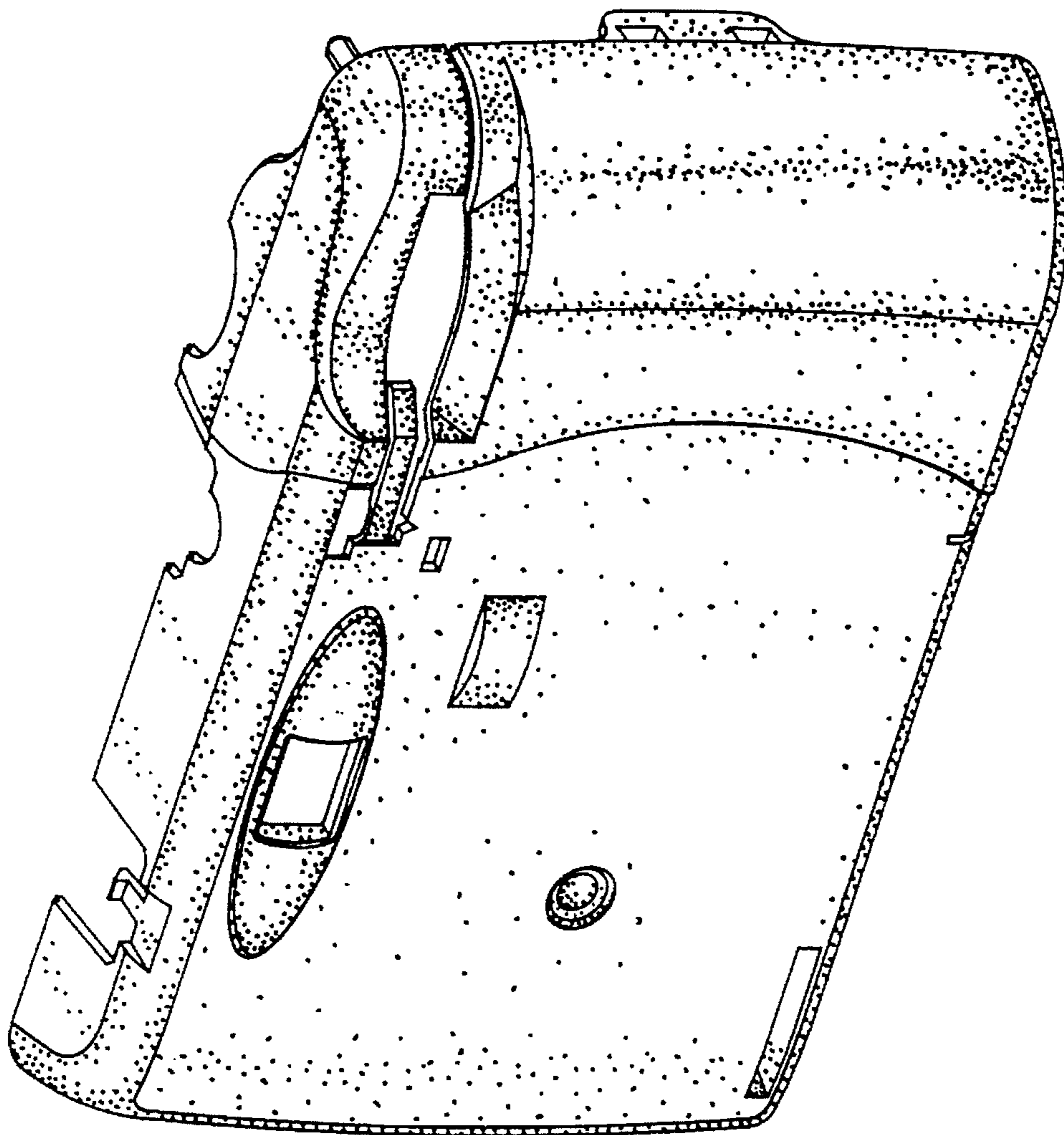


FIG. 1

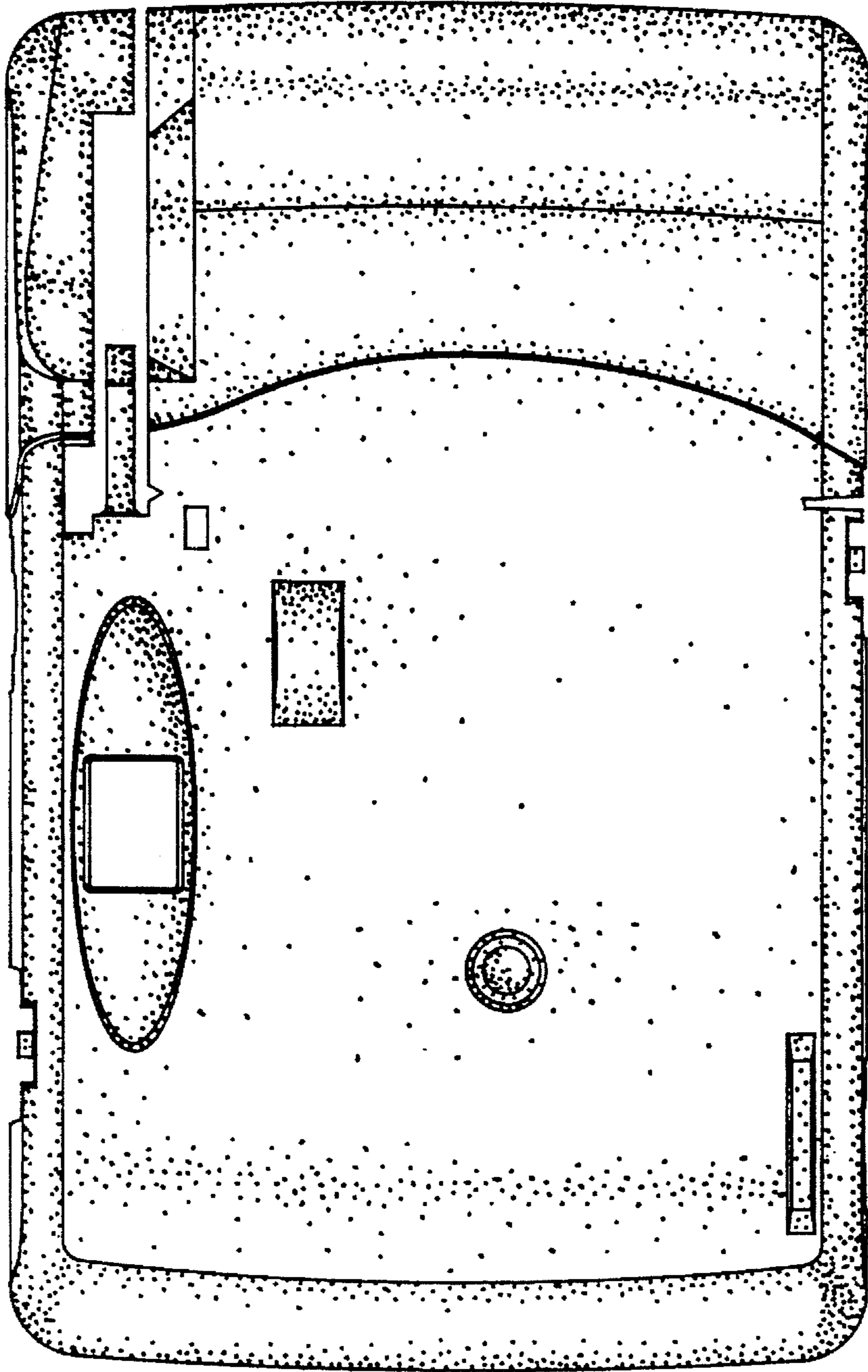


FIG. 2

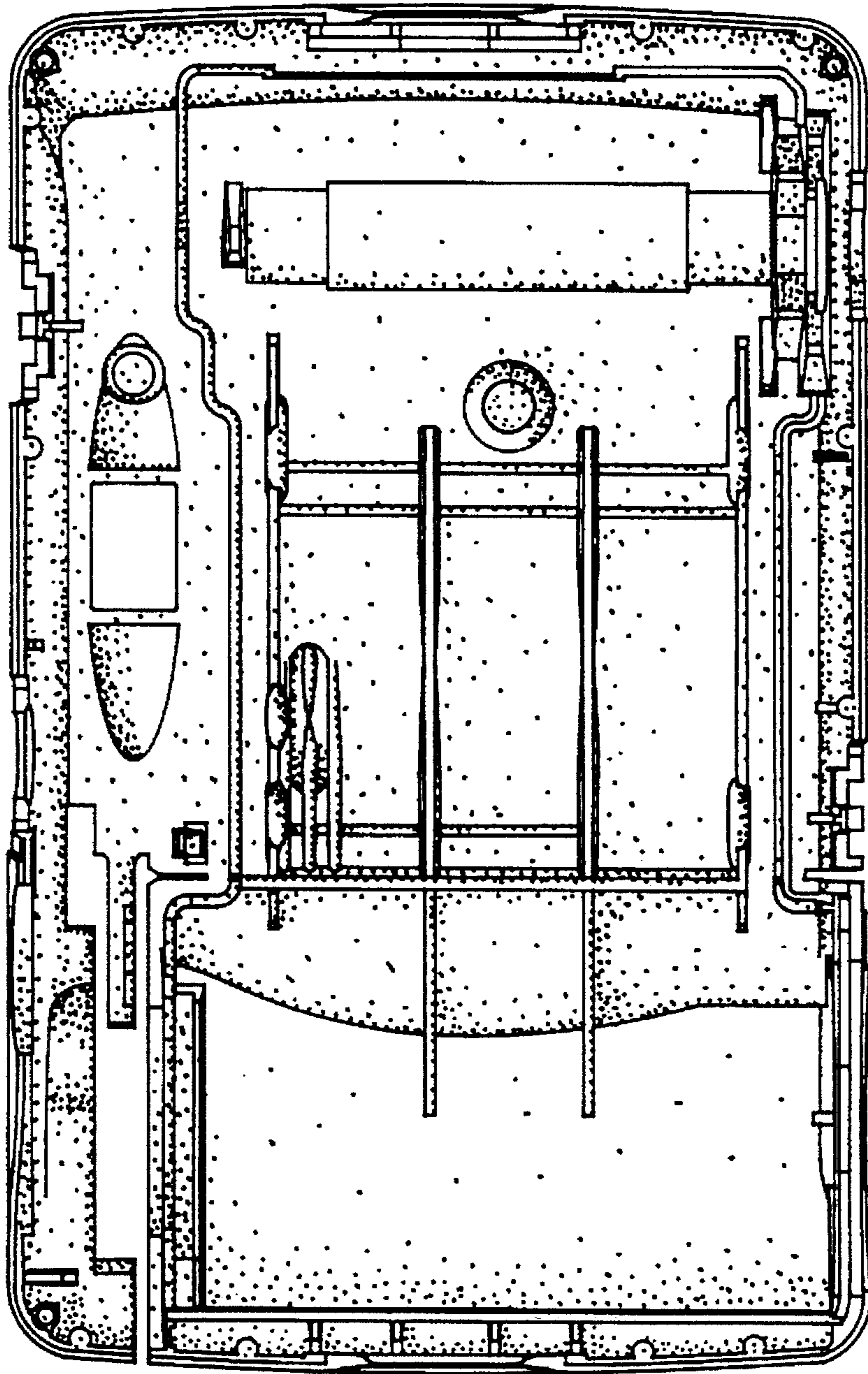


FIG. 3

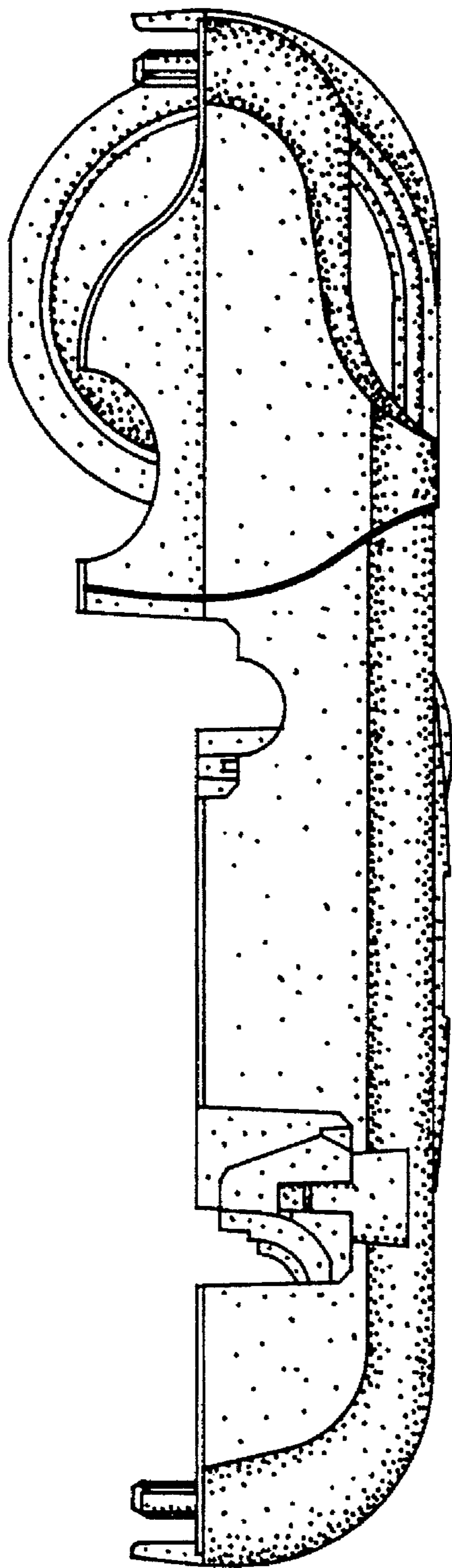


FIG. 4

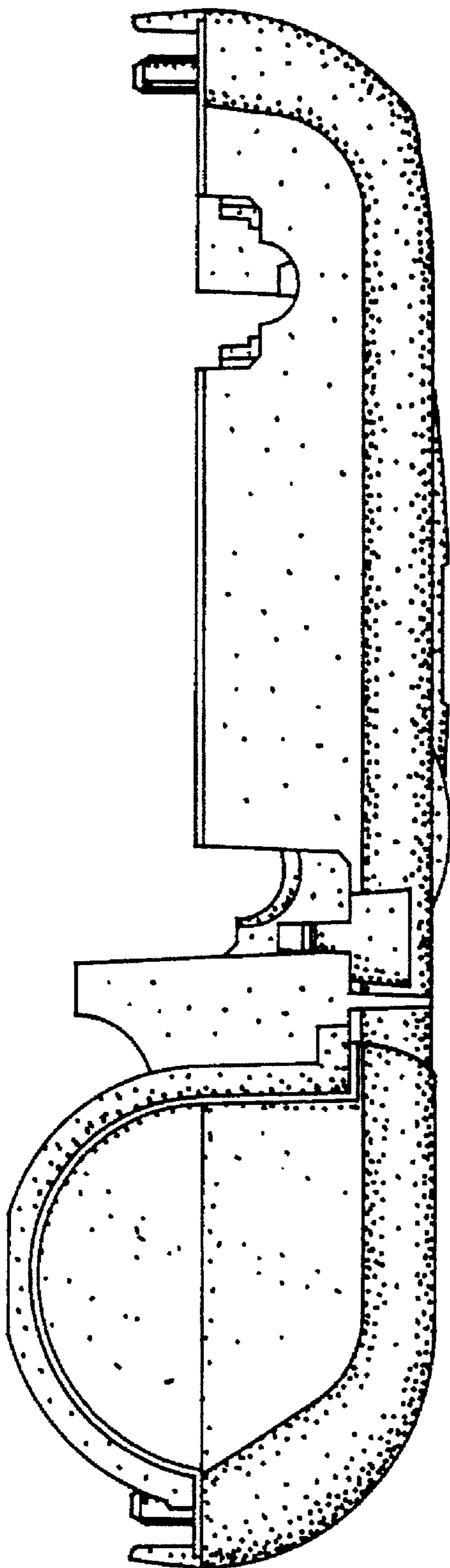


FIG. 5

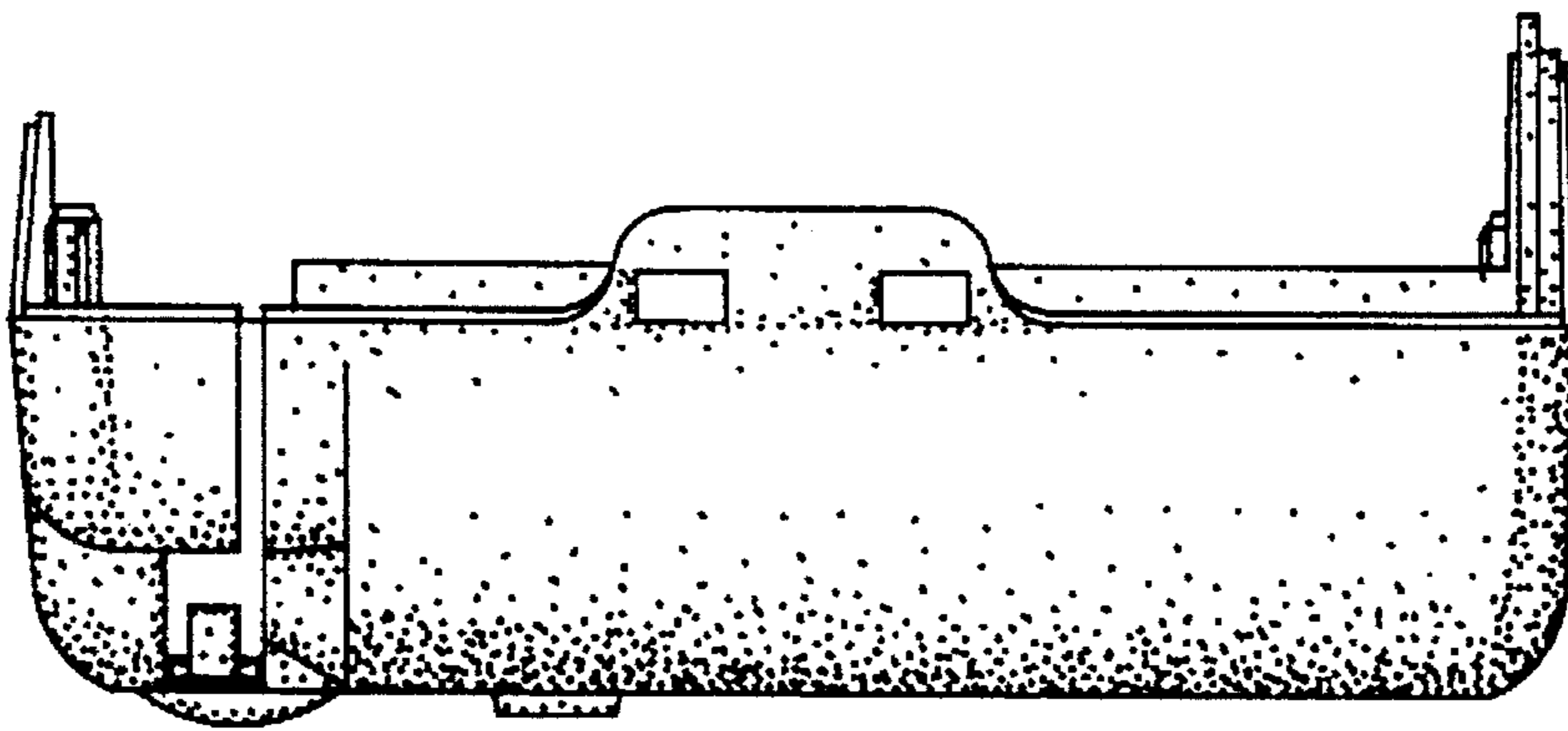


FIG. 6

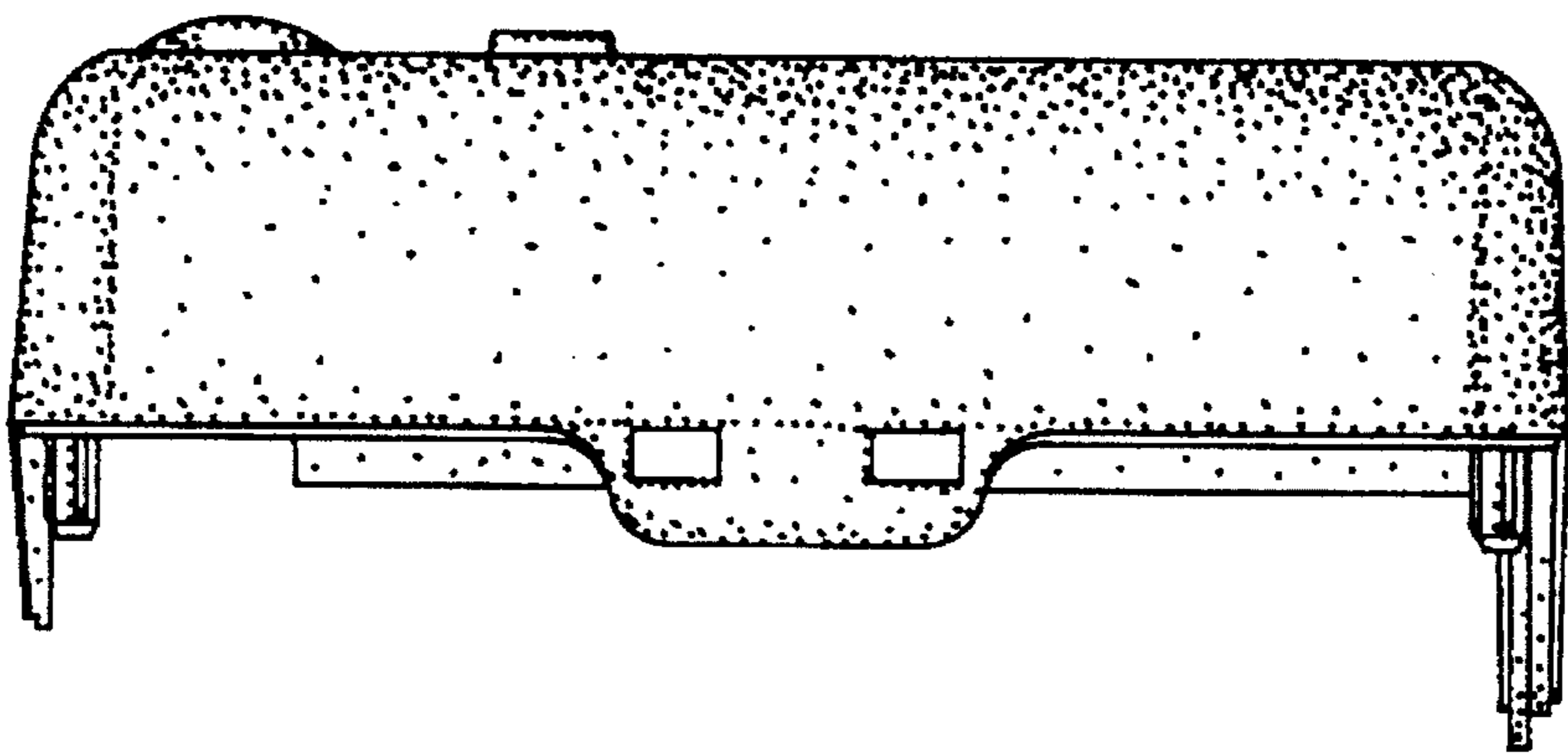


FIG. 7

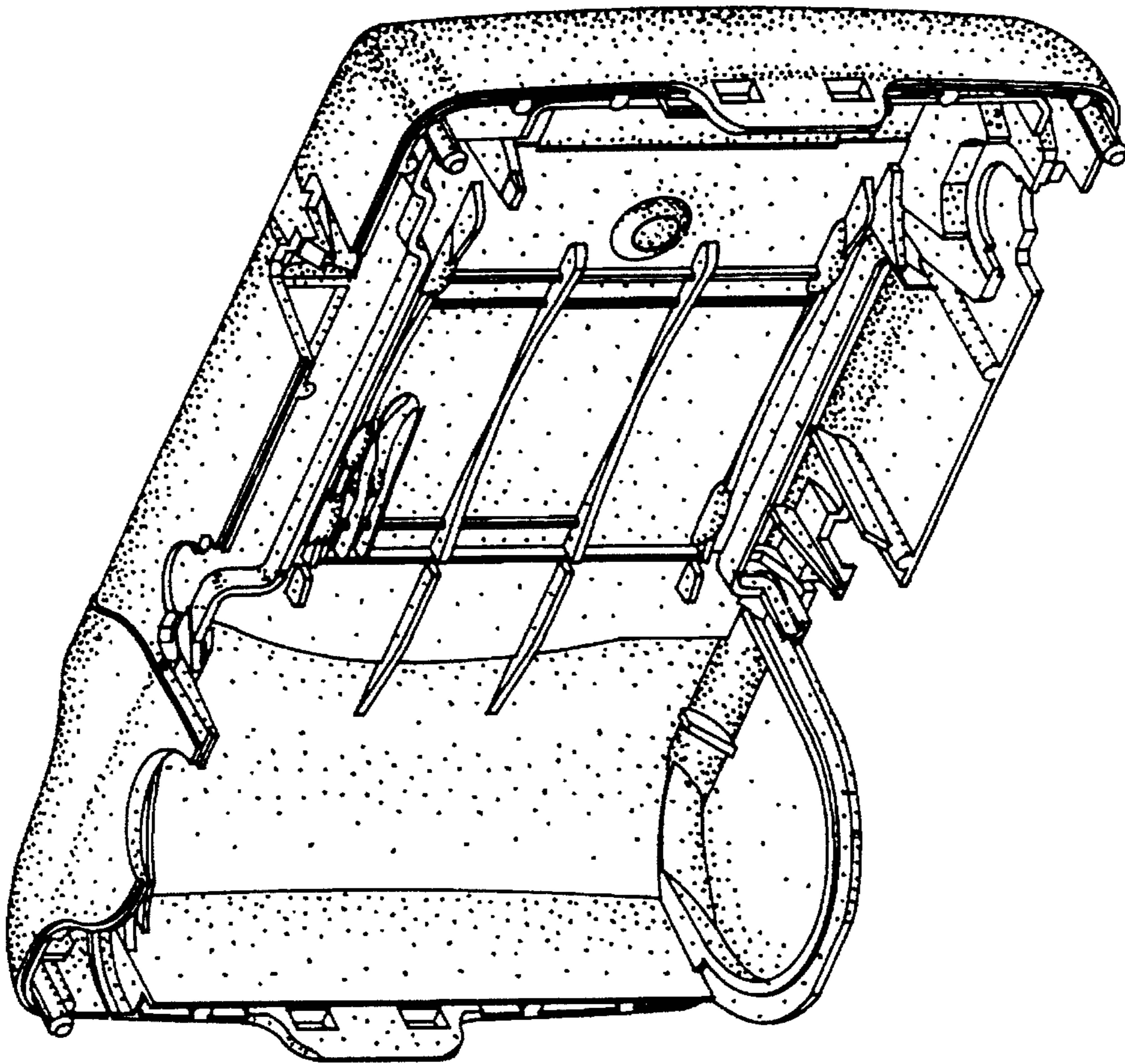


FIG. 8

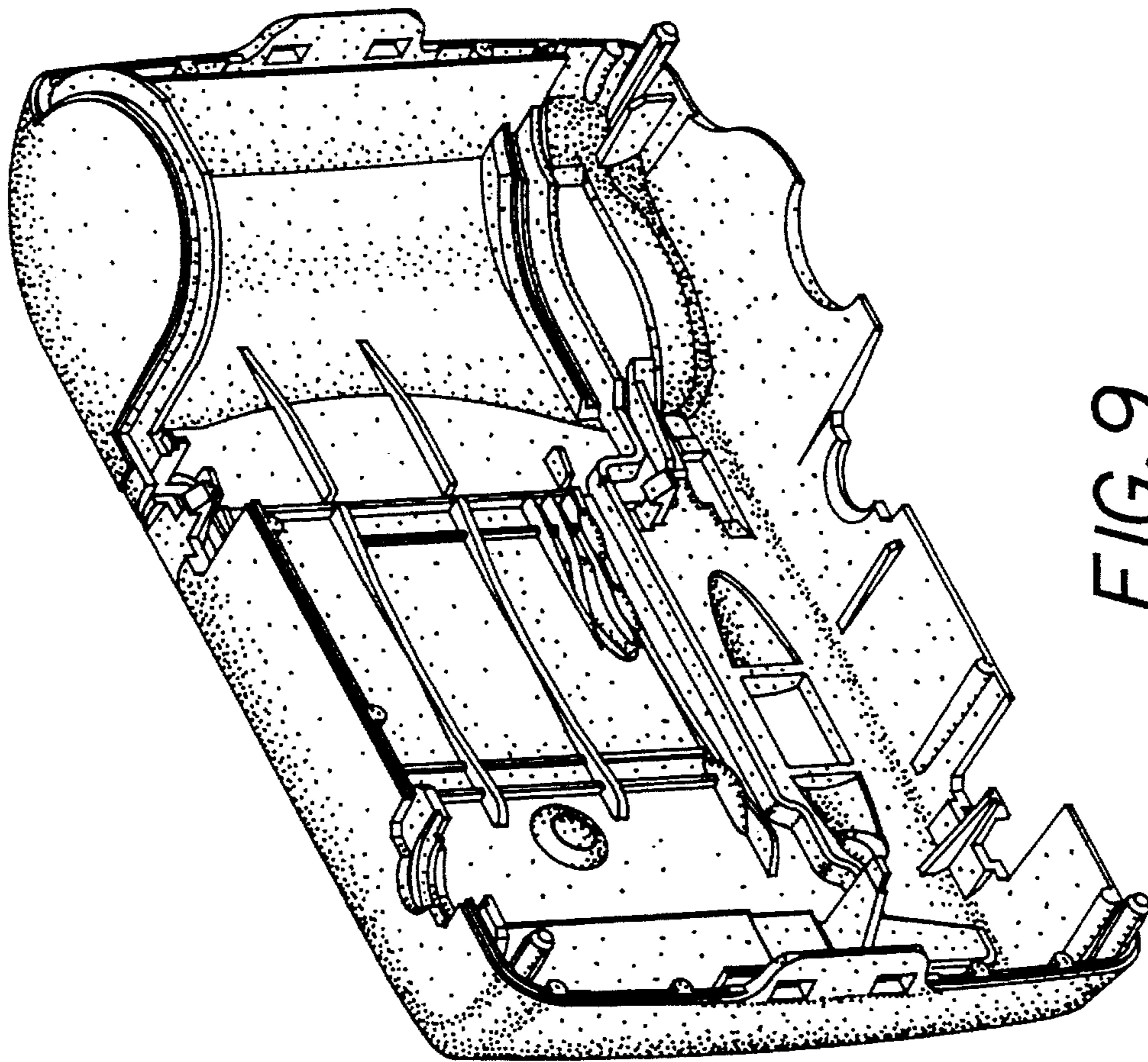


FIG. 9