



US00D370227S

# United States Patent [19]

[11] Patent Number: **Des. 370,227**

Mosley

[45] Date of Patent: **\*\*May 28, 1996**

[54] **AUTOMOBILE DRIP CATCHER**

3,809,175 5/1974 Andrews ..... 184/106 X  
5,168,586 12/1992 Small ..... 141/364 X

[76] Inventor: **Julious Mosley**, 2200 17 Ave. S., Saint Petersburg, Fla. 33712

*Primary Examiner*—Antoine Duval Davis  
*Attorney, Agent, or Firm*—Harold H. Dutton, Jr.; Diane F. Liebman; W. Charles Jamison

[\*\*] Term: **14 Years**

### [57] CLAIM

[21] Appl. No.: **32,315**

The ornamental design for an automobile drip catcher, as shown.

[22] Filed: **Dec. 15, 1994**

[52] U.S. Cl. .... **D15/150**

[58] Field of Search ..... D15/150-152;  
141/85, 86, 98, 311, 363-365, 311 A; 206/567;  
220/571-573, DIG. 5; 222/527

### DESCRIPTION

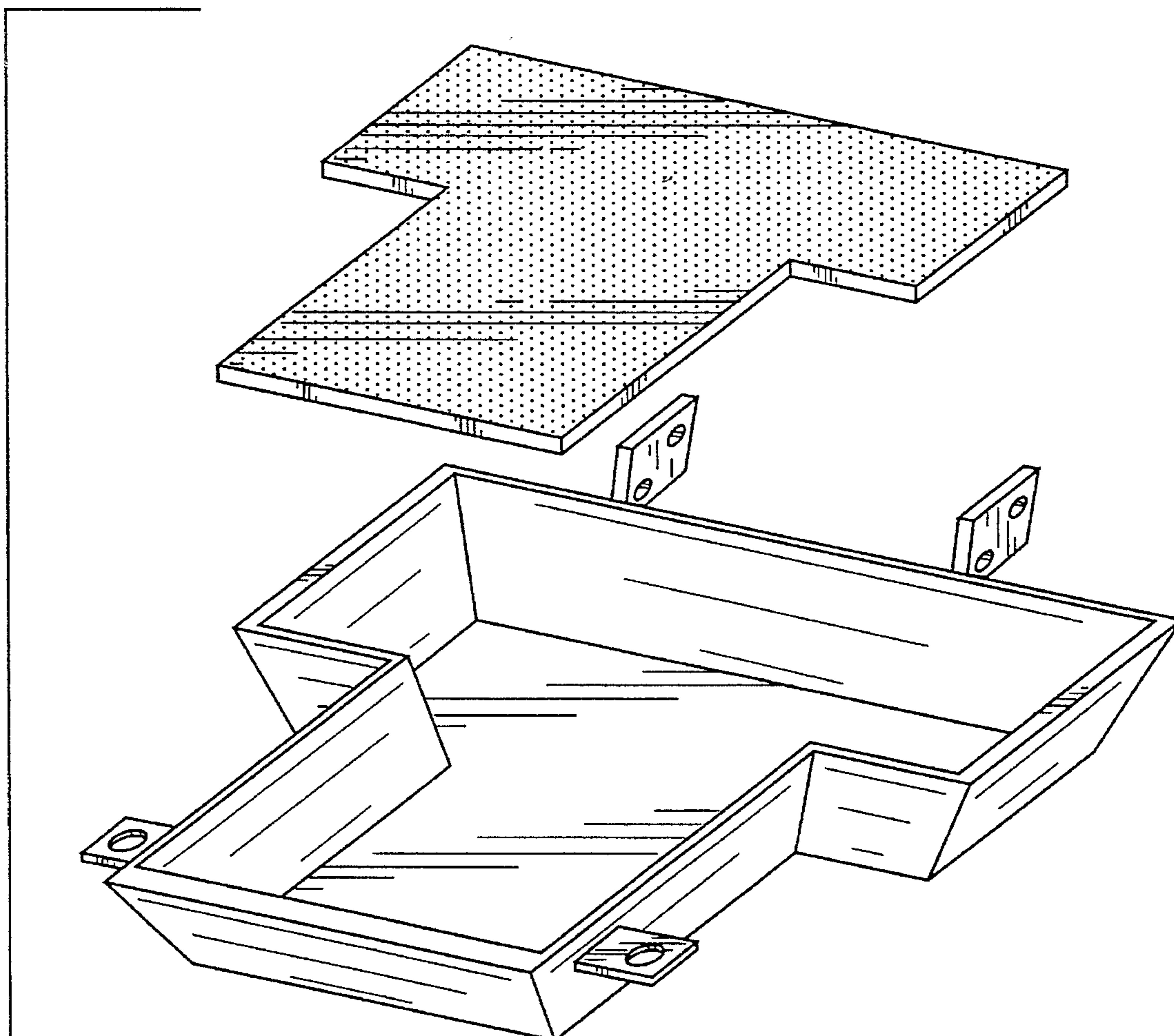
FIG. 1 is a perspective view of an automobile drip catcher showing my new design;  
FIG. 2 is a bottom view thereof;  
FIG. 3 is a rear view thereof;  
FIG. 4 is a front view thereof;  
FIG. 5 is a right side view thereof; and,  
FIG. 6 is a left side view thereof.

### [56] References Cited

#### U.S. PATENT DOCUMENTS

D. 307,623 5/1990 Carbonell ..... D23/200  
D. 341,366 11/1993 Tricarico et al. .... D15/152 X  
2,934,003 4/1960 Ladymon ..... 184/106 X  
3,329,231 7/1967 Takenouchi ..... 184/106 X

**1 Claim, 4 Drawing Sheets**



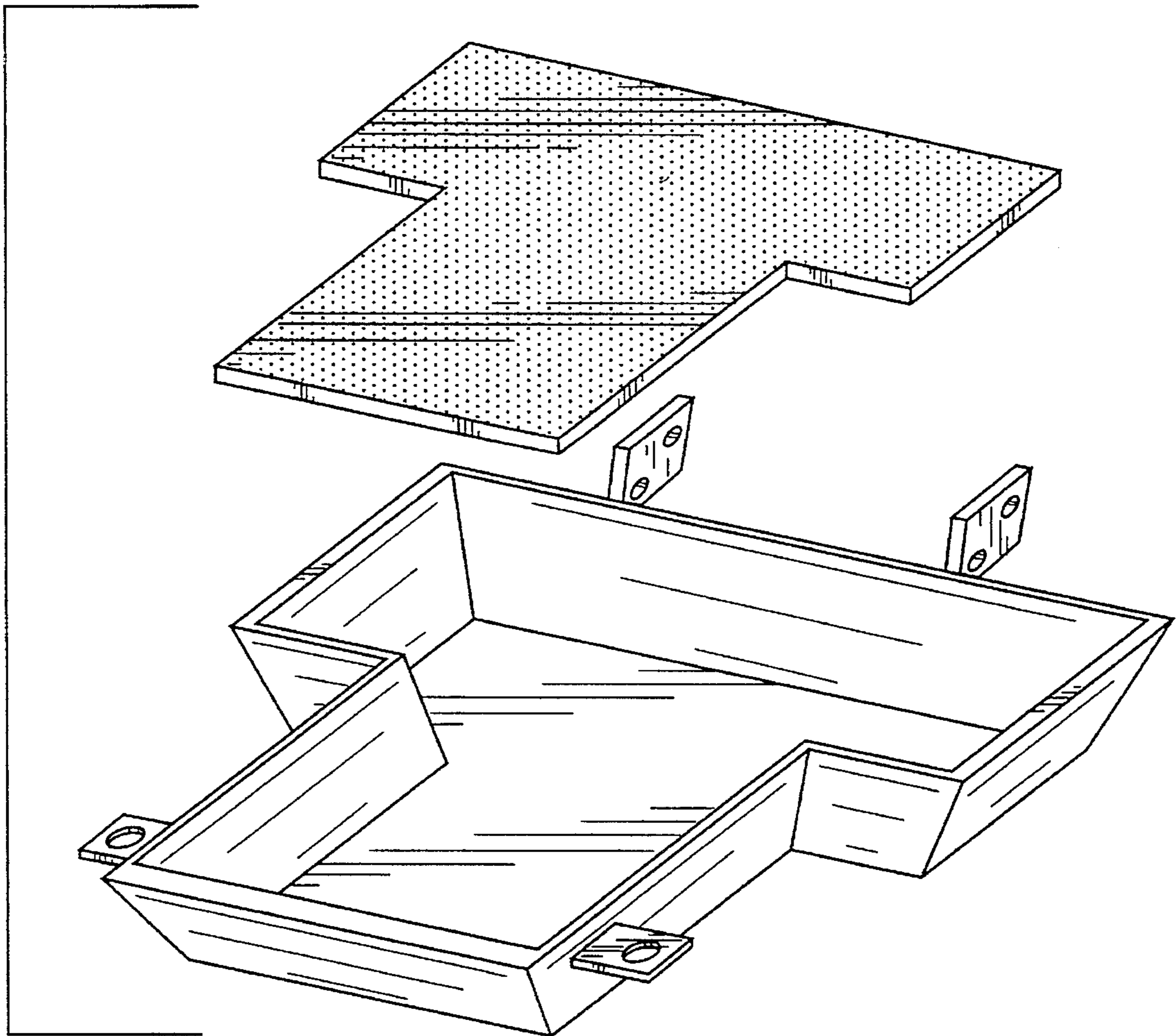


FIG. 1

FIG. 2

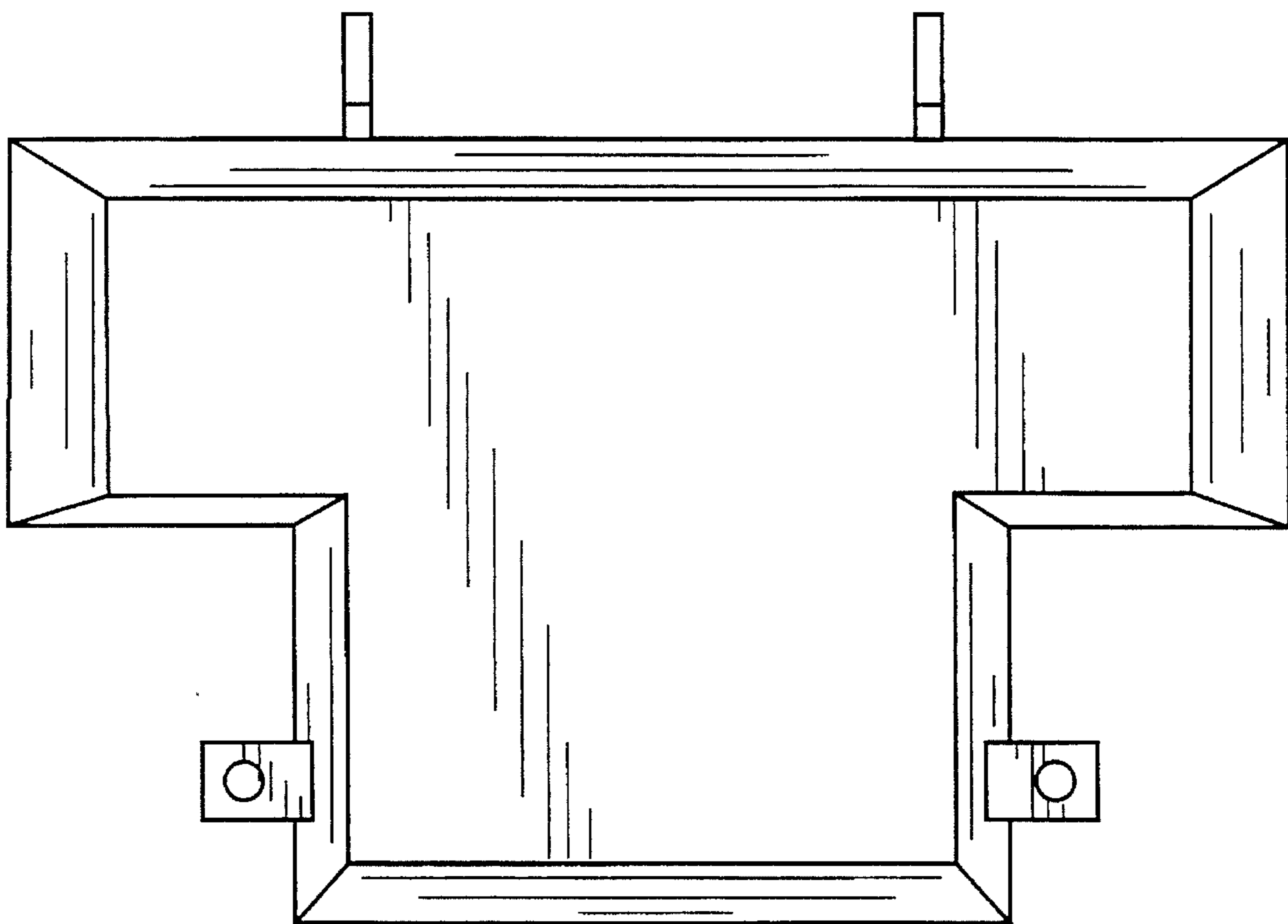


FIG. 3

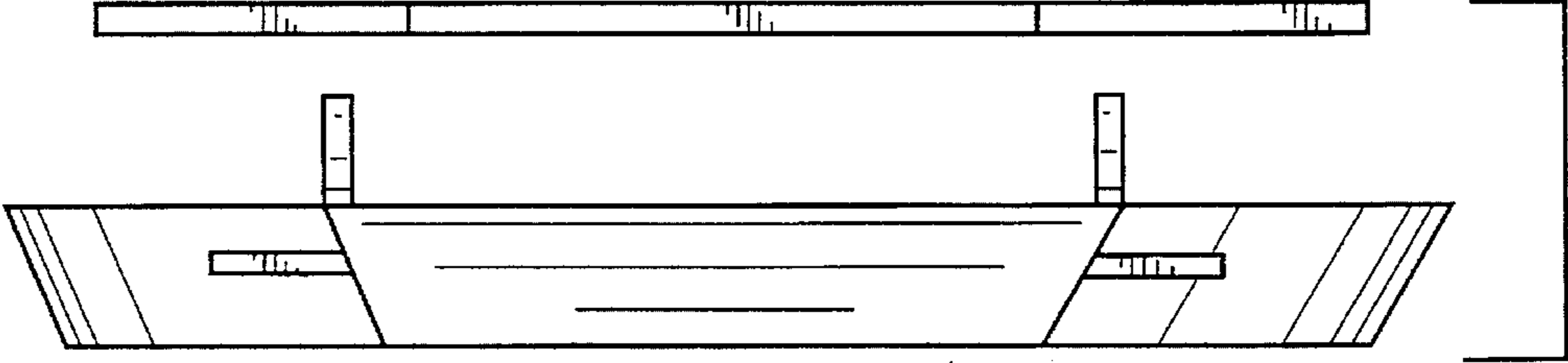
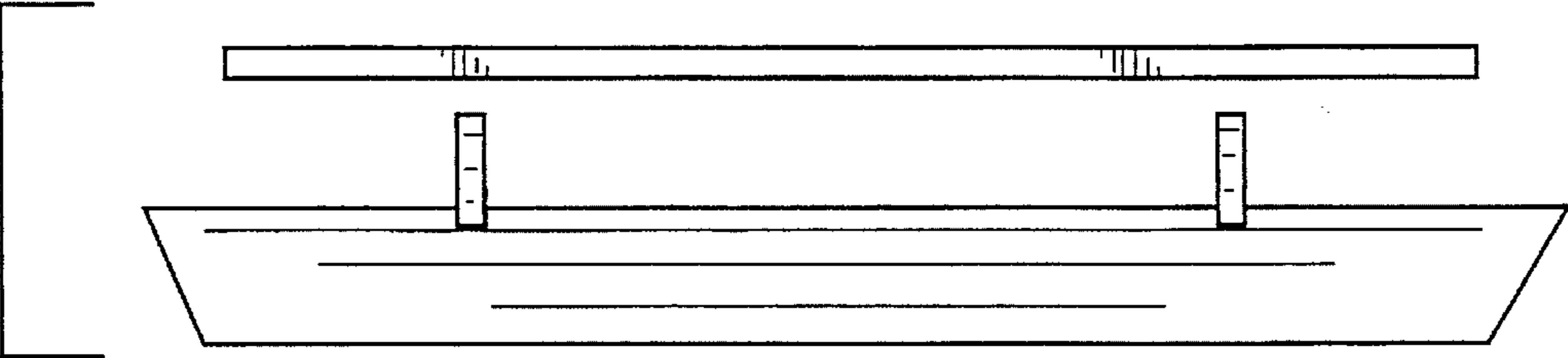


FIG. 4

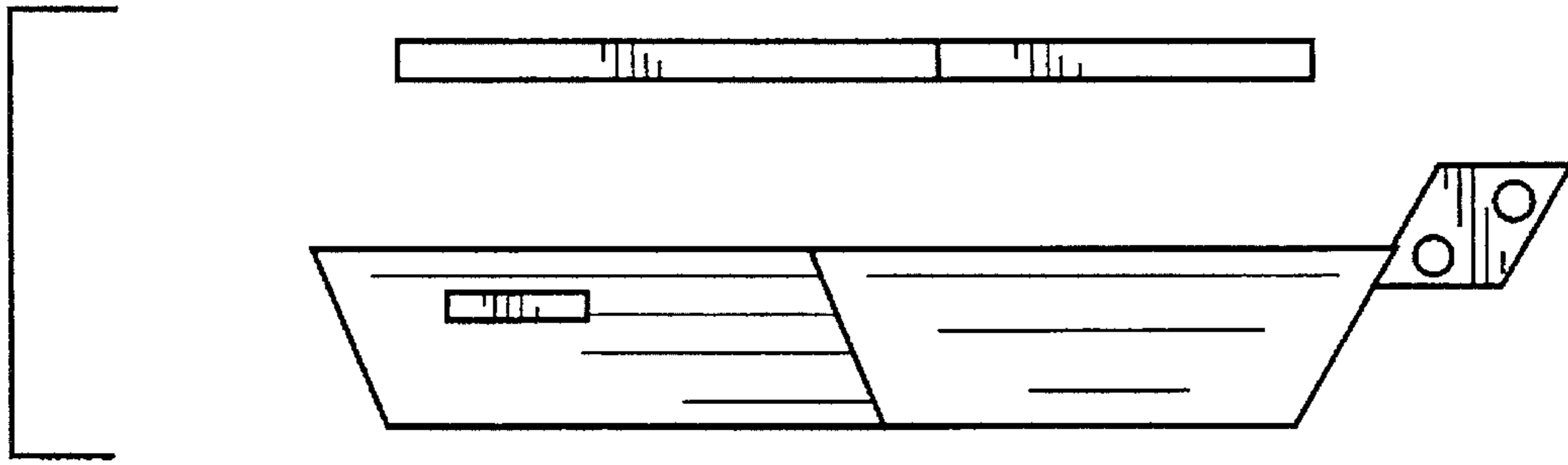


FIG. 5

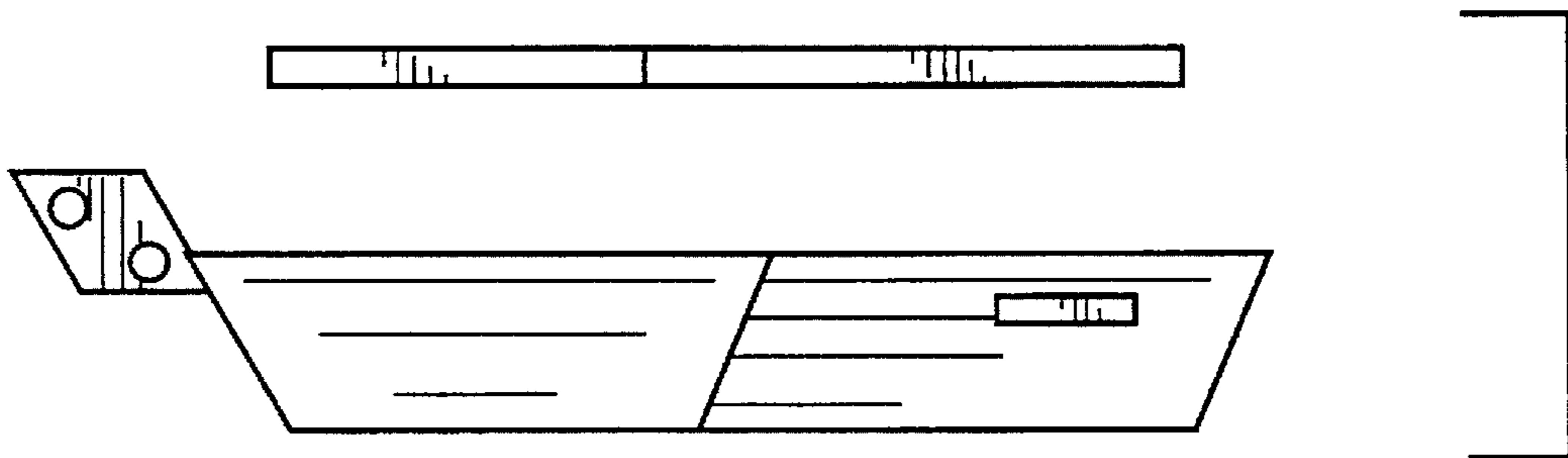


FIG. 6