



US00D370226S

United States Patent [19]
Hebert

[11] **Patent Number: Des. 370,226**

[45] **Date of Patent: **May 28, 1996**

[54] **REFRIGERATOR**

[76] Inventor: **Richard R. Hebert**, 8466 N. Lockwood Ridge Rd., Ste. 314, Sarasota, Fla. 34243

[**] Term: **14 Years**

[21] Appl. No.: **32,240**

[22] Filed: **Dec. 15, 1994**

[52] **U.S. Cl.** **D15/85**

[58] **Field of Search** D6/470-472; D15/79-86; 62/246-252, 371, 444, 445, 457.1; 312/114, 116, 128, 236, 237

[56] **References Cited**

U.S. PATENT DOCUMENTS

D. 178,811	9/1956	Schier et al.	D67/3
D. 200,027	1/1965	Costantini et al.	D15/85
D. 211,773	7/1968	Schroeder	D15/85
D. 230,315	2/1974	Bank	D15/7
D. 253,536	11/1979	Shibata et al.	D15/7
D. 256,923	9/1980	Mullins, Jr.	D15/80
D. 266,000	8/1982	Kawakami	D15/7
D. 278,342	4/1985	Dankjaer	D15/88

OTHER PUBLICATIONS

Silver King Brochure, "Money-Making Ideas" p. 4, milk dispenser.

Silver King Brochure, "Fresh Ideas" p. 9 Refrigerator SKTTR-48.

Primary Examiner—Sandra L. Morris

Attorney, Agent, or Firm—James A. Hudak

[57] **CLAIM**

The ornamental design for a refrigerator, as shown and described.

DESCRIPTION

FIG. 1 is a perspective view of the refrigerator showing my new design;

FIG. 2 is a front elevational view thereof;

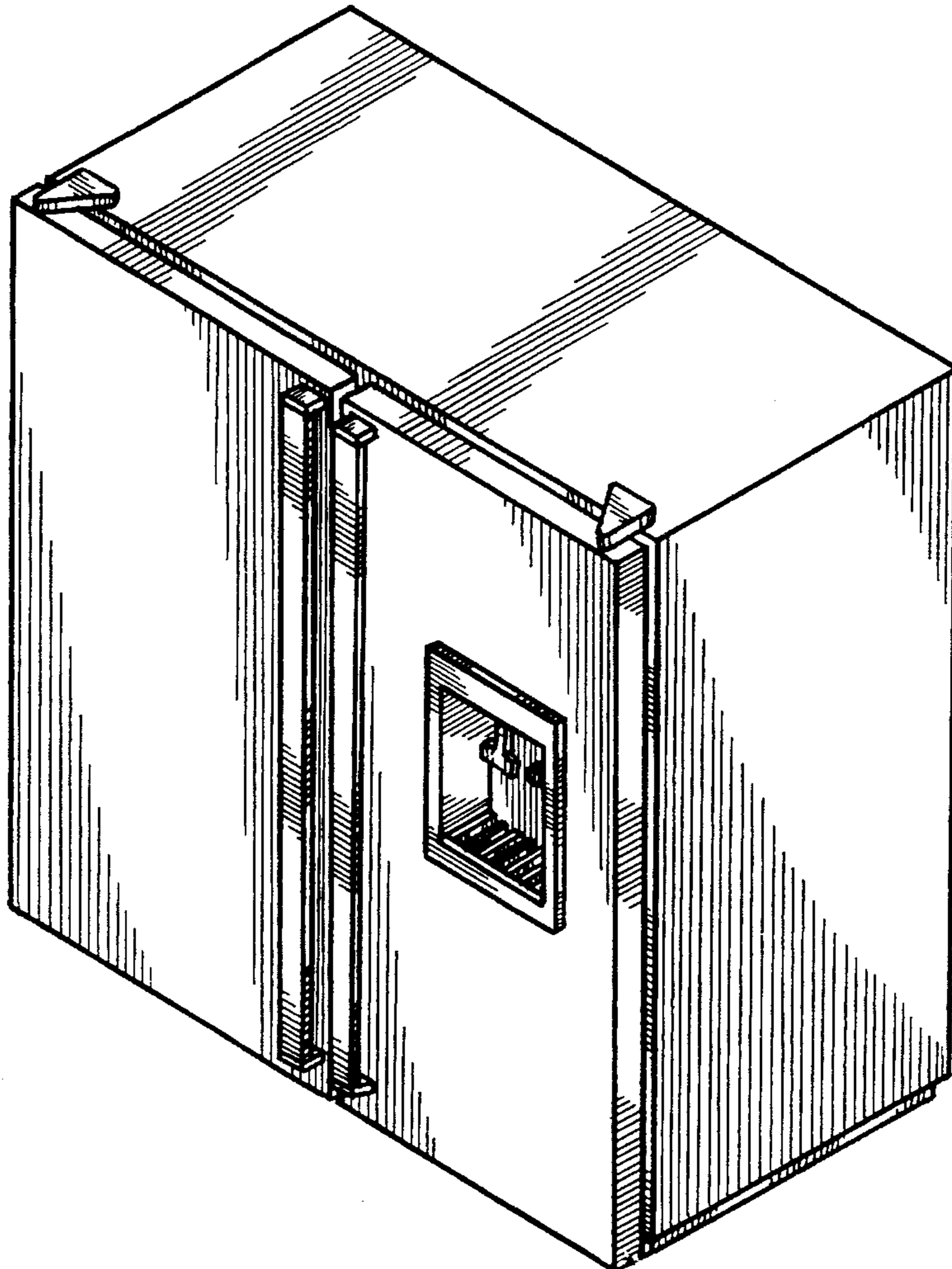
FIG. 3 is a rear elevational view thereof;

FIG. 4 is a left side elevational view thereof, the right side elevational view being a mirror image of the view shown in this FIG.;

FIG. 5 is a top plan view thereof; and,

FIG. 6 is a bottom plan view thereof.

1 Claim, 4 Drawing Sheets



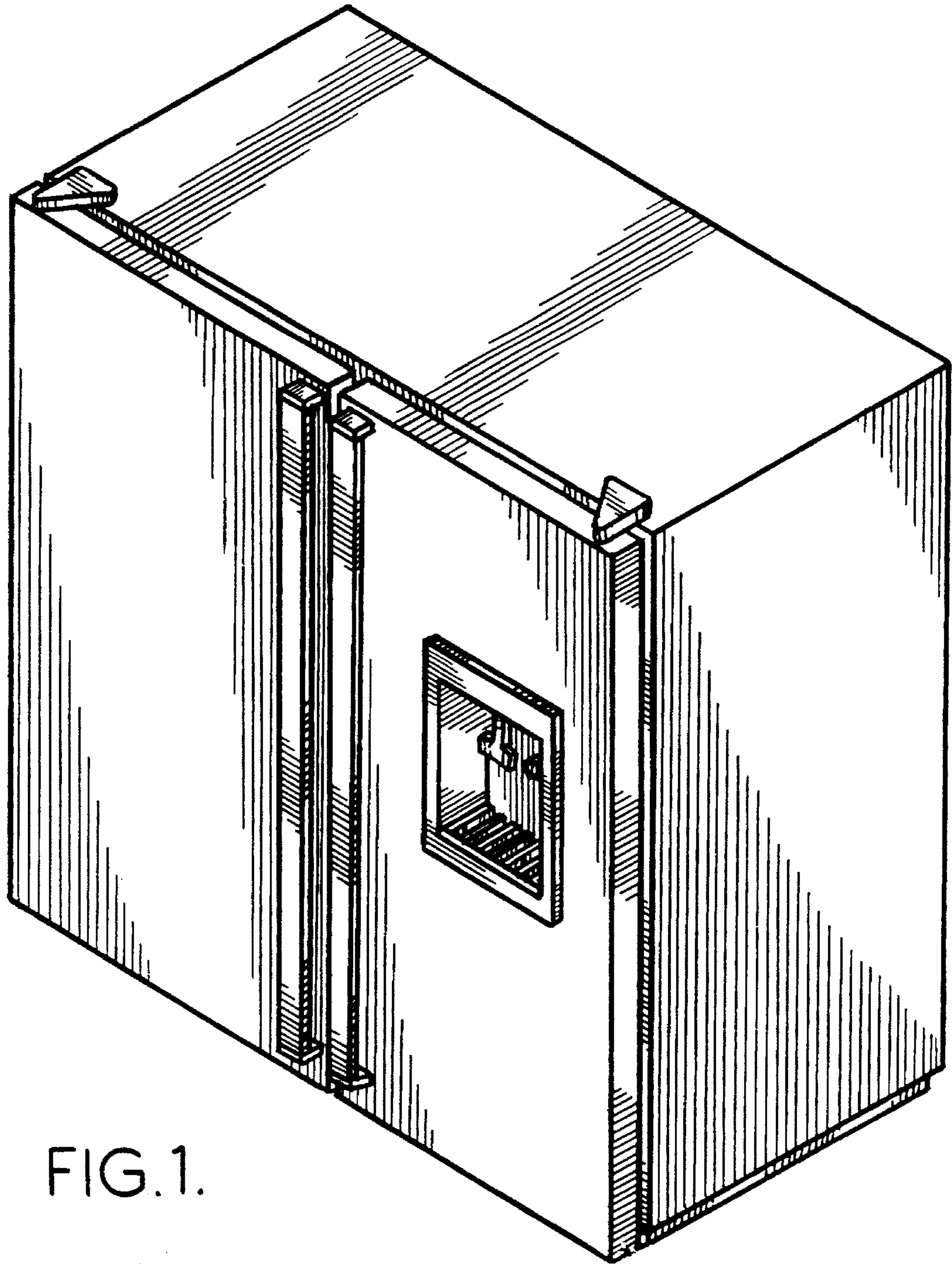


FIG.1.

FIG. 2.

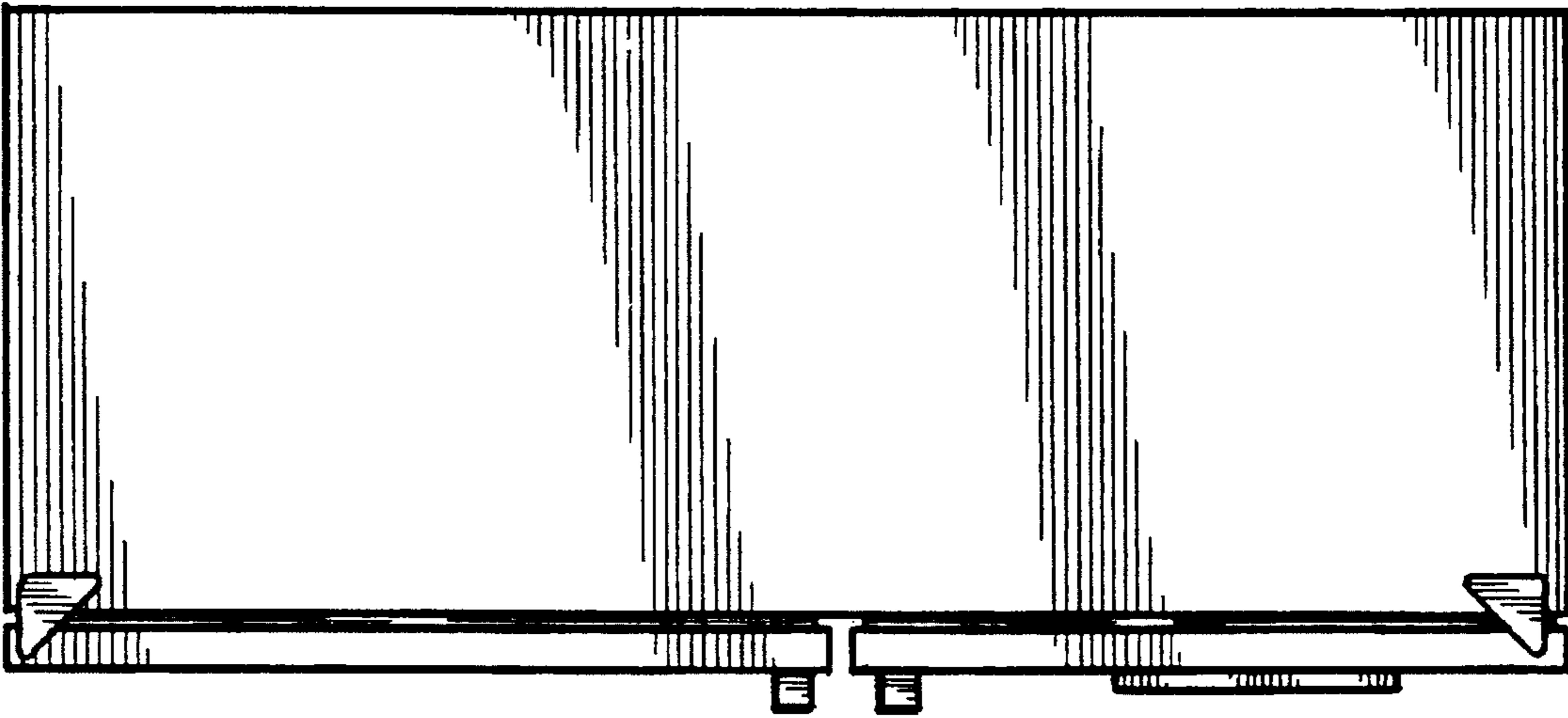
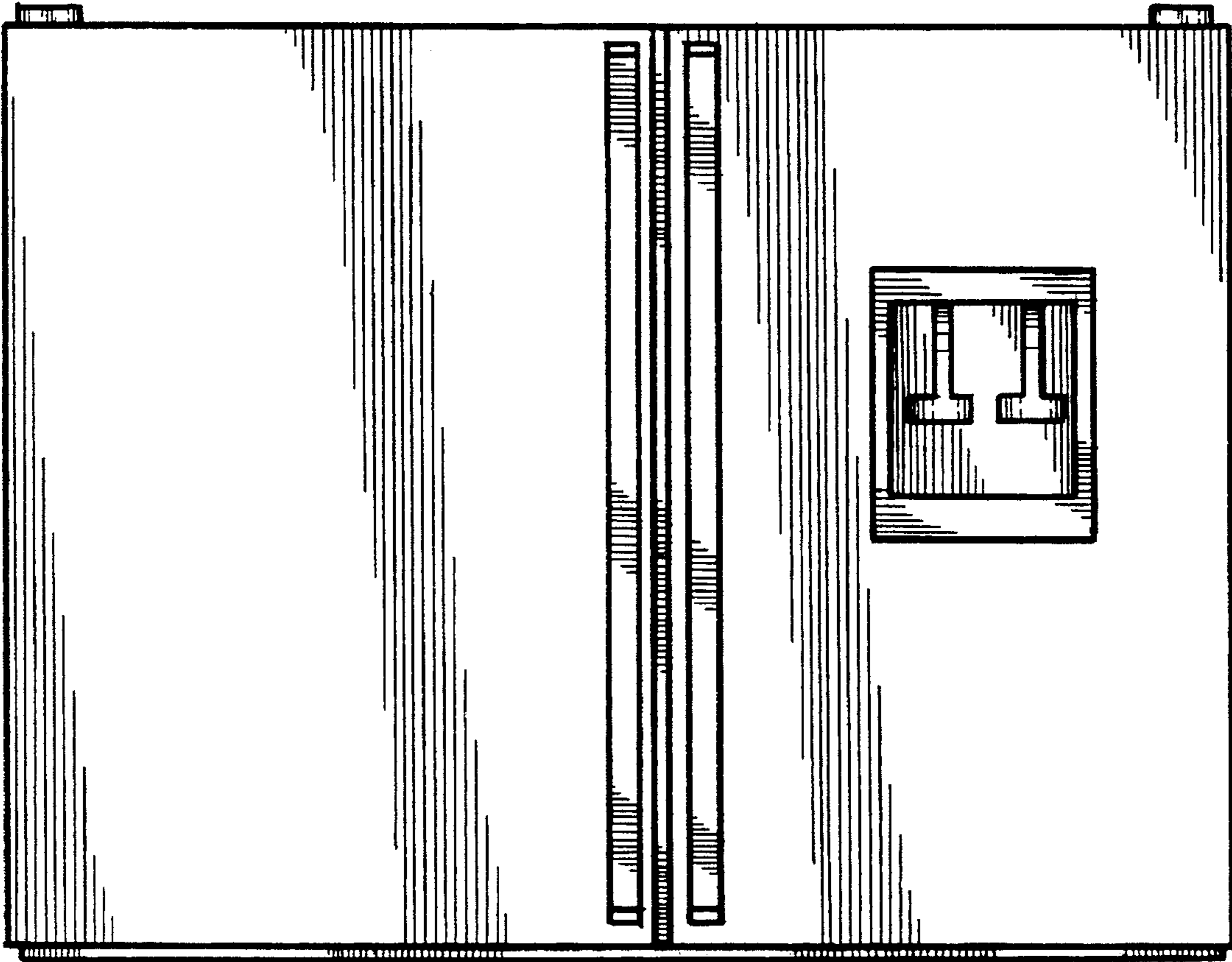


FIG. 5.

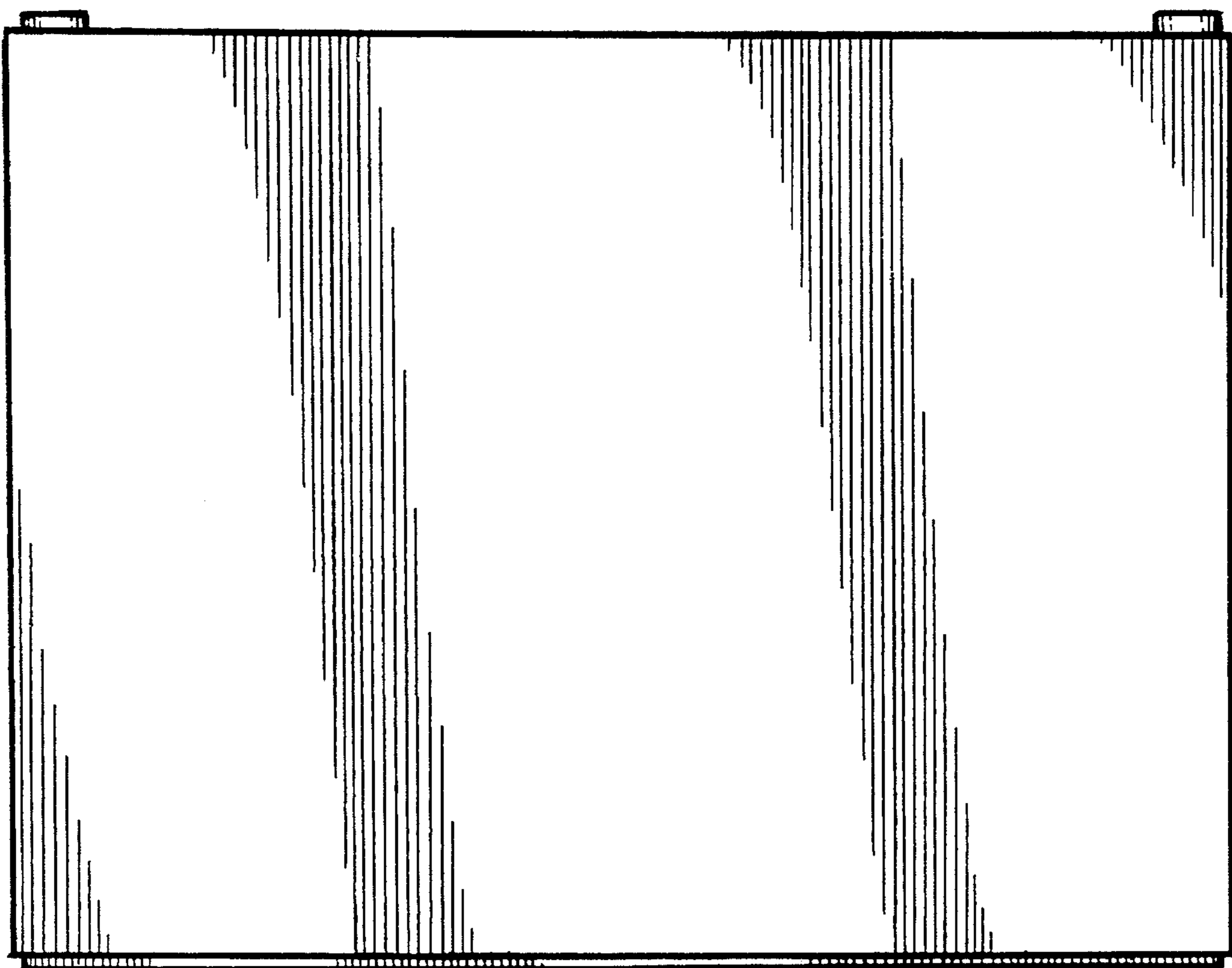


FIG. 3.

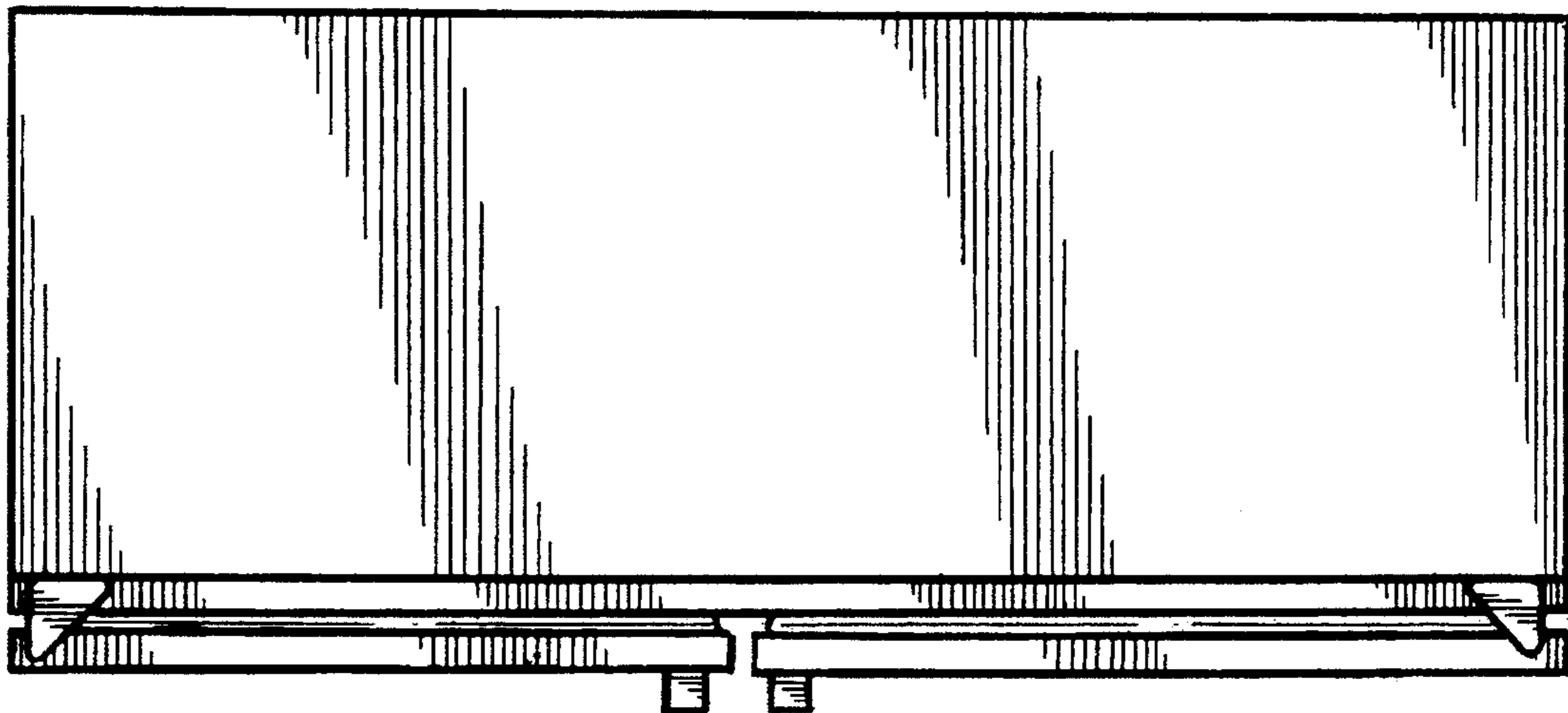


FIG. 6.

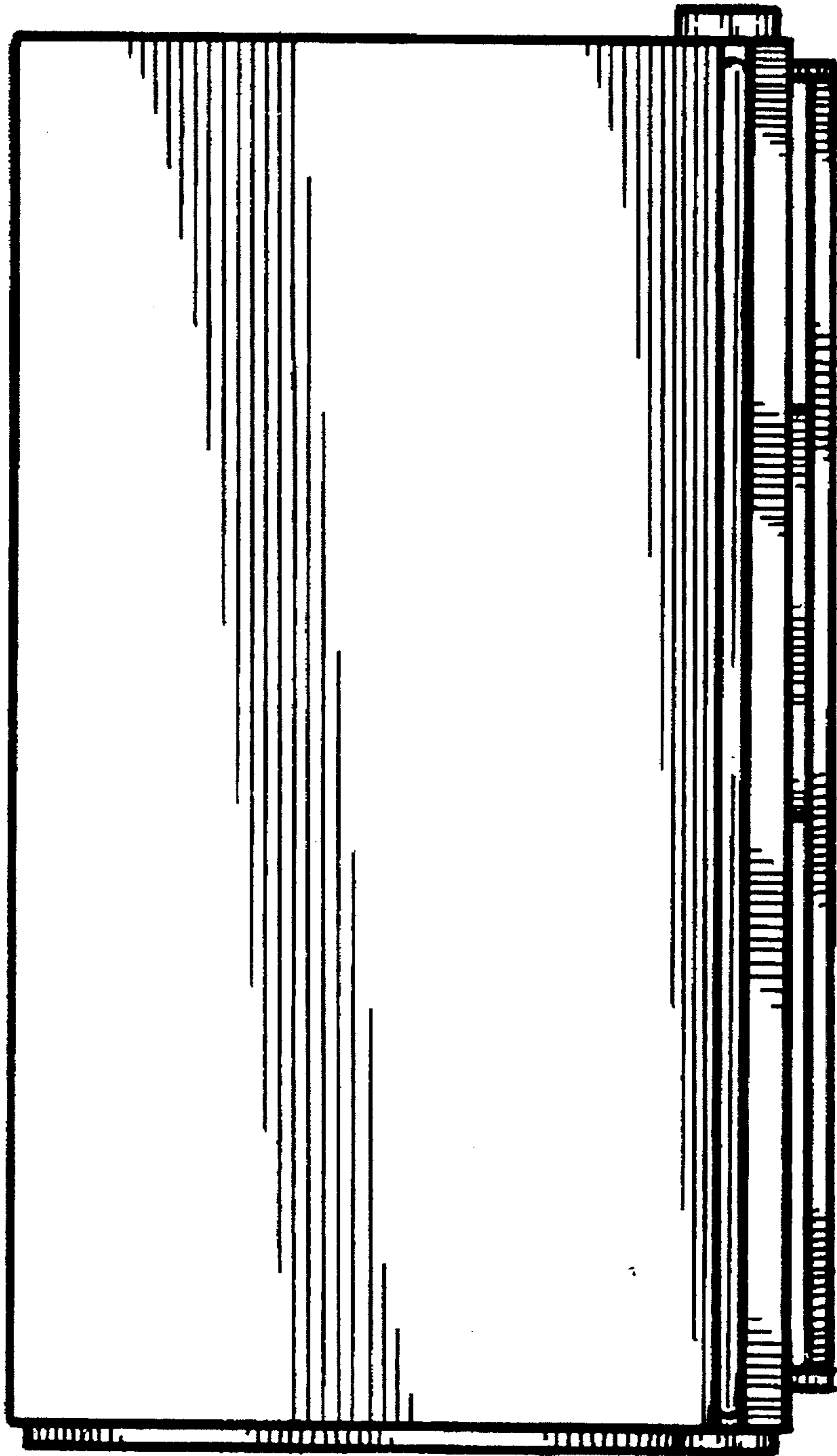


FIG. 4.