



US00D370225S

United States Patent [19]

Wada et al.

[11] Patent Number: **Des. 370,225**

[45] Date of Patent: ****May 28, 1996**

[54] **REFRIGERANT COMPRESSOR**

[75] Inventors: **Hirofumi Wada; Takayuki Kudo; Shinichi Otake**, all of Isesaki, Japan

[73] Assignee: **Sanden Corp.**, Isesaki, Japan

[**] Term: **14 Years**

[21] Appl. No.: **40,763**

[22] Filed: **Jun. 26, 1995**

[30] **Foreign Application Priority Data**

Feb. 24, 1995 [JP] Japan 7-5004

[52] U.S. Cl. **D15/9**

[58] Field of Search D15/7-9; 91/275; 417/403, 404

[56] **References Cited**

U.S. PATENT DOCUMENTS

D. 271,203 11/1983 Schütt et al. D15/9

D. 295,753 5/1988 LaBair D15/7

D. 352,041 11/1994 Hansen D15/9

D. 358,398 5/1995 Persson D15/7

Primary Examiner—Ralf Seifert

Attorney, Agent, or Firm—Kenjiro Hidaka

[57] **CLAIM**

The ornamental design for a refrigerant compressor, as shown and described.

DESCRIPTION

FIG. 1 is a top, front left side perspective view of a refrigerant compressor showing our new design;

FIG. 2 is a top plan view thereof;

FIG. 3 is a front elevational view thereof;

FIG. 4 is a left side elevational view thereof;

FIG. 5 is a right side elevational view thereof;

FIG. 6 is a rear elevational view thereof; and,

FIG. 7 is a bottom plan view thereof.

1 Claim, 6 Drawing Sheets

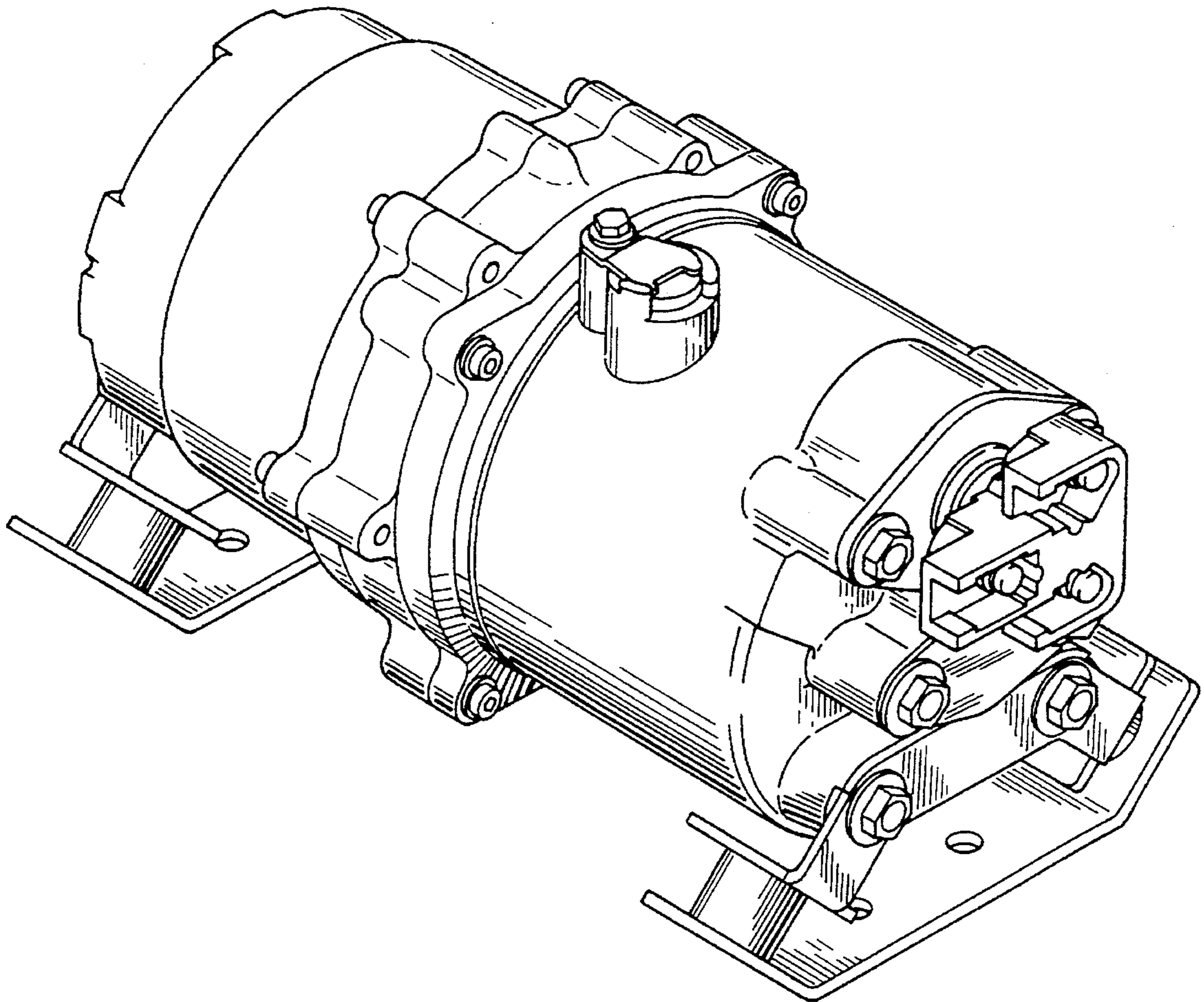


FIG. 1

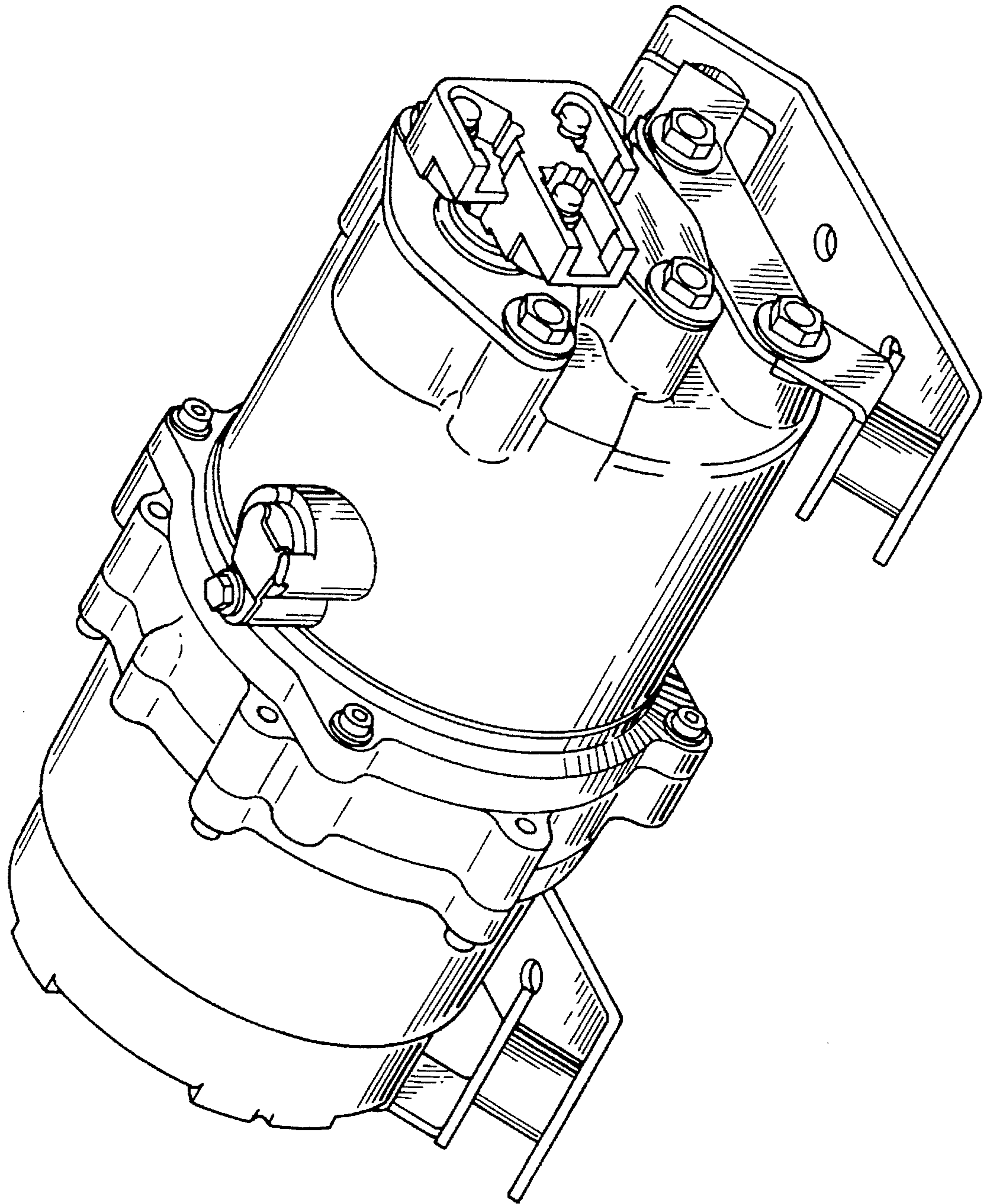


FIG. 2

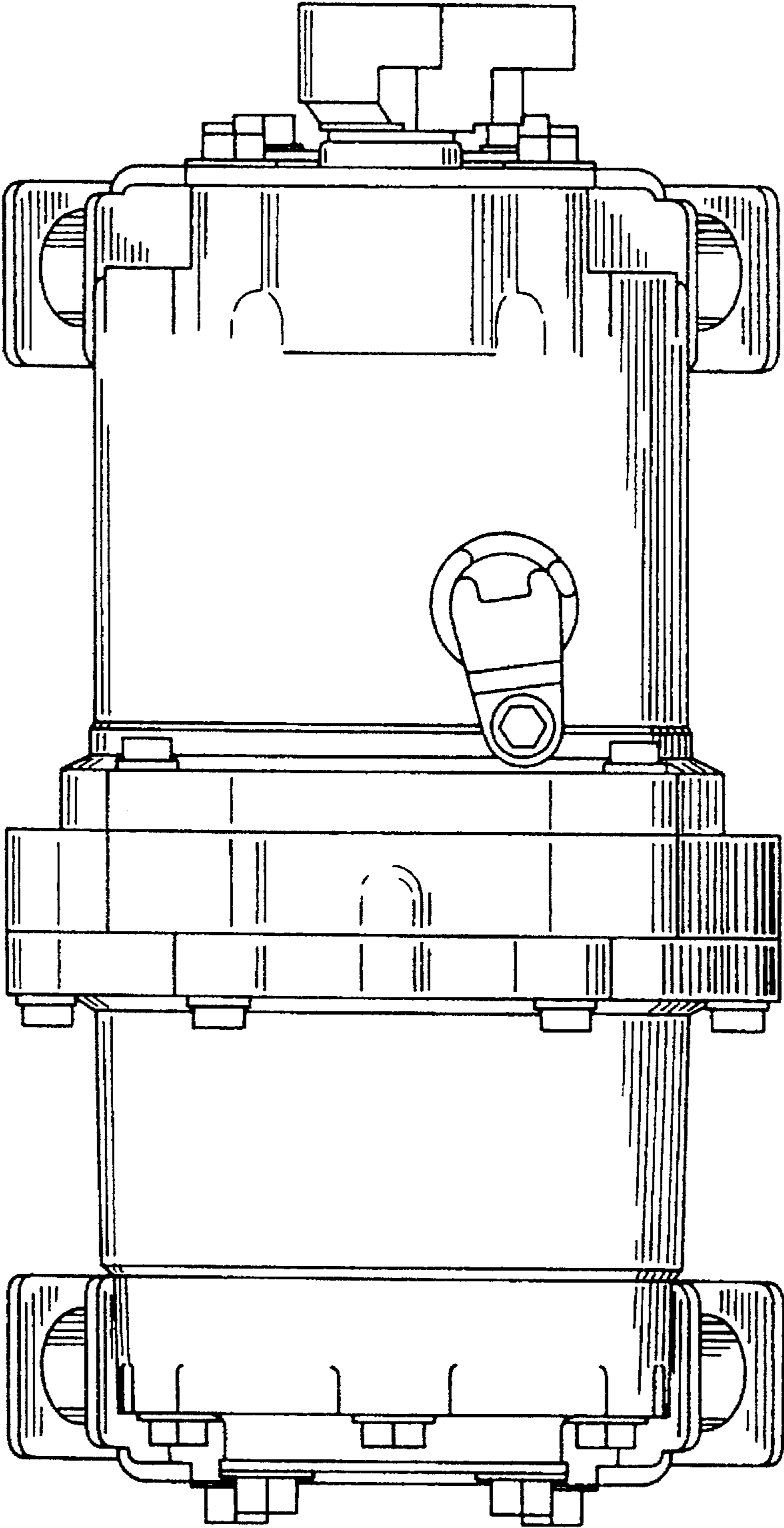


FIG. 3

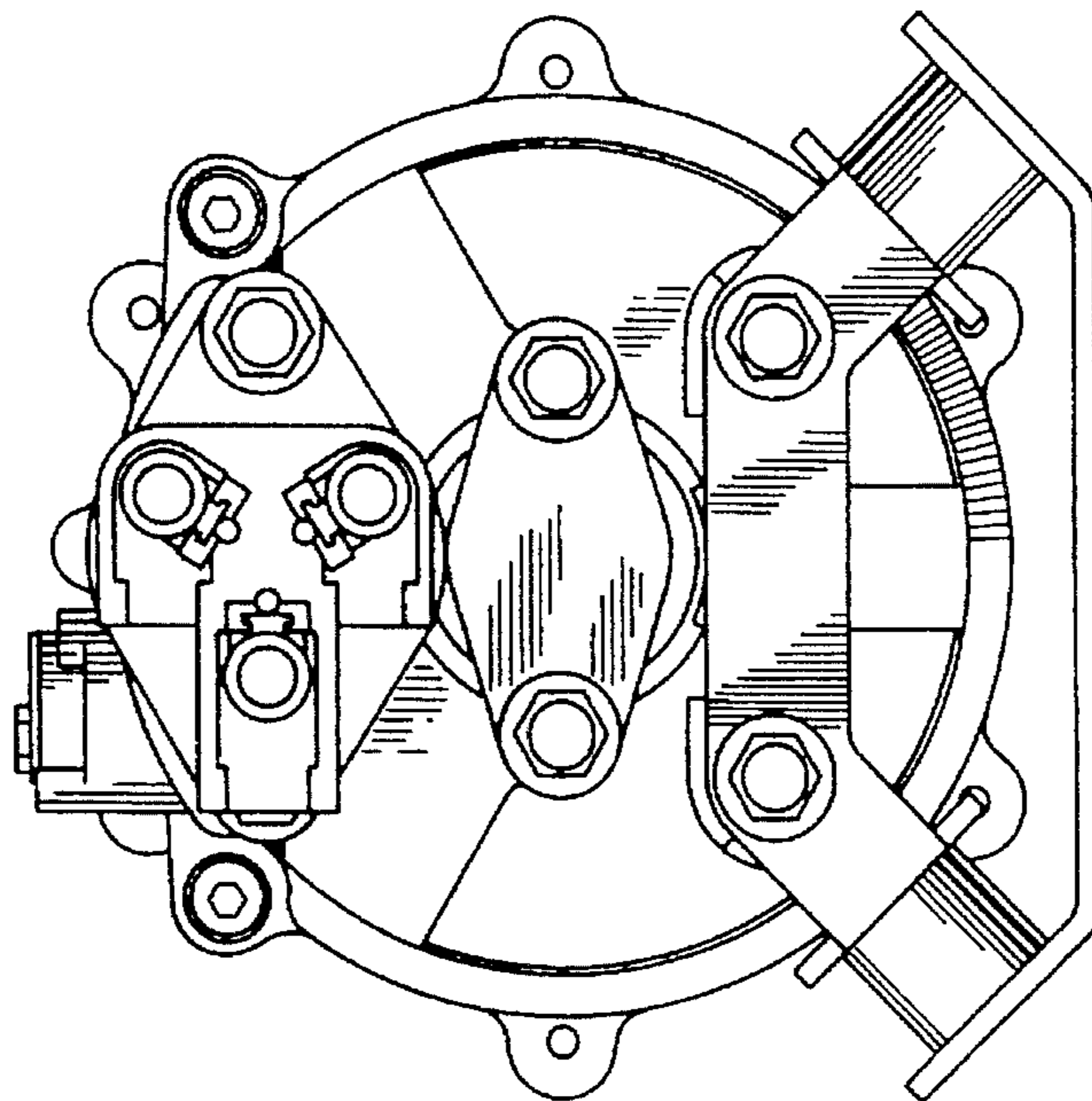


FIG. 6

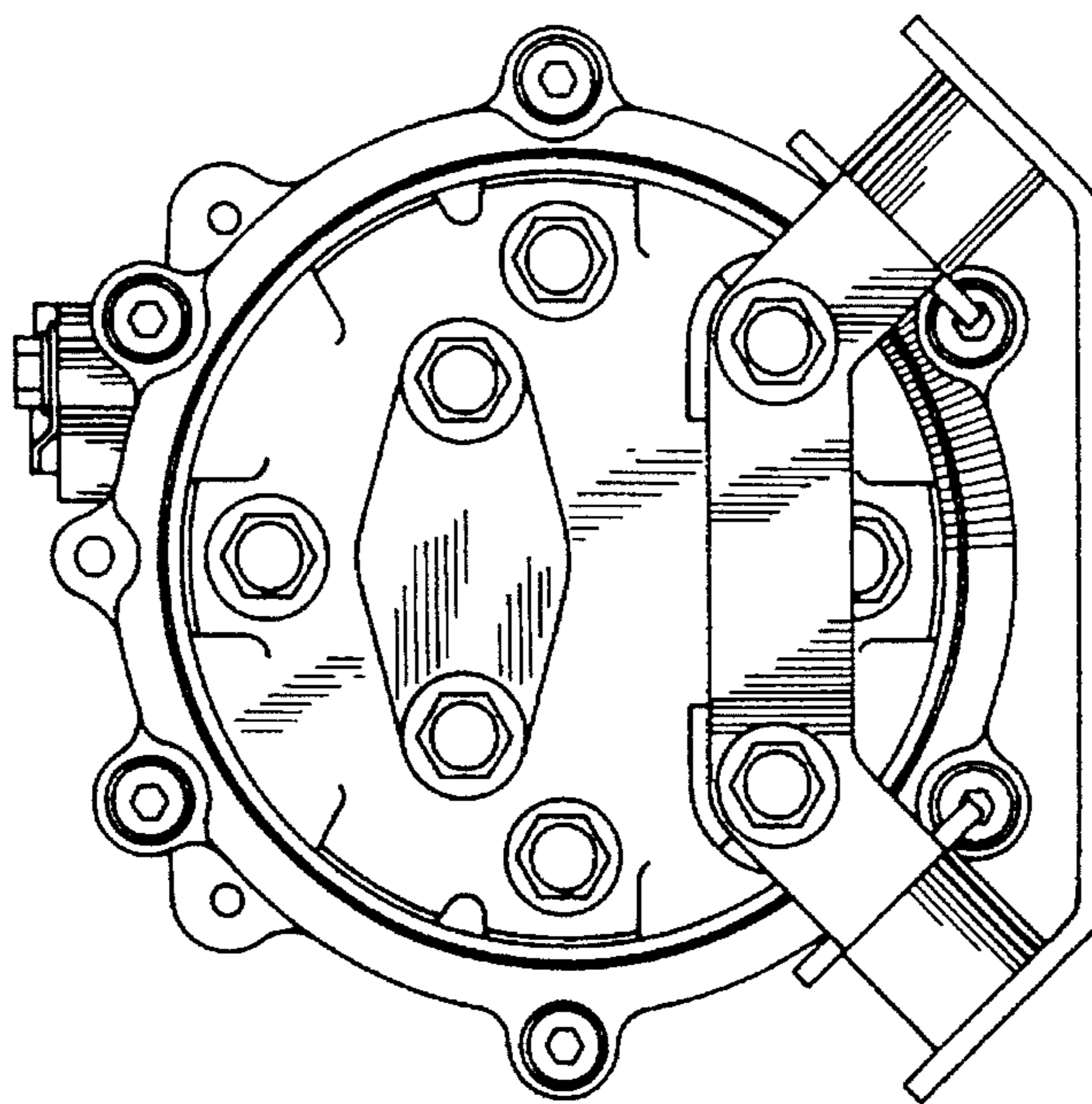


FIG. 4

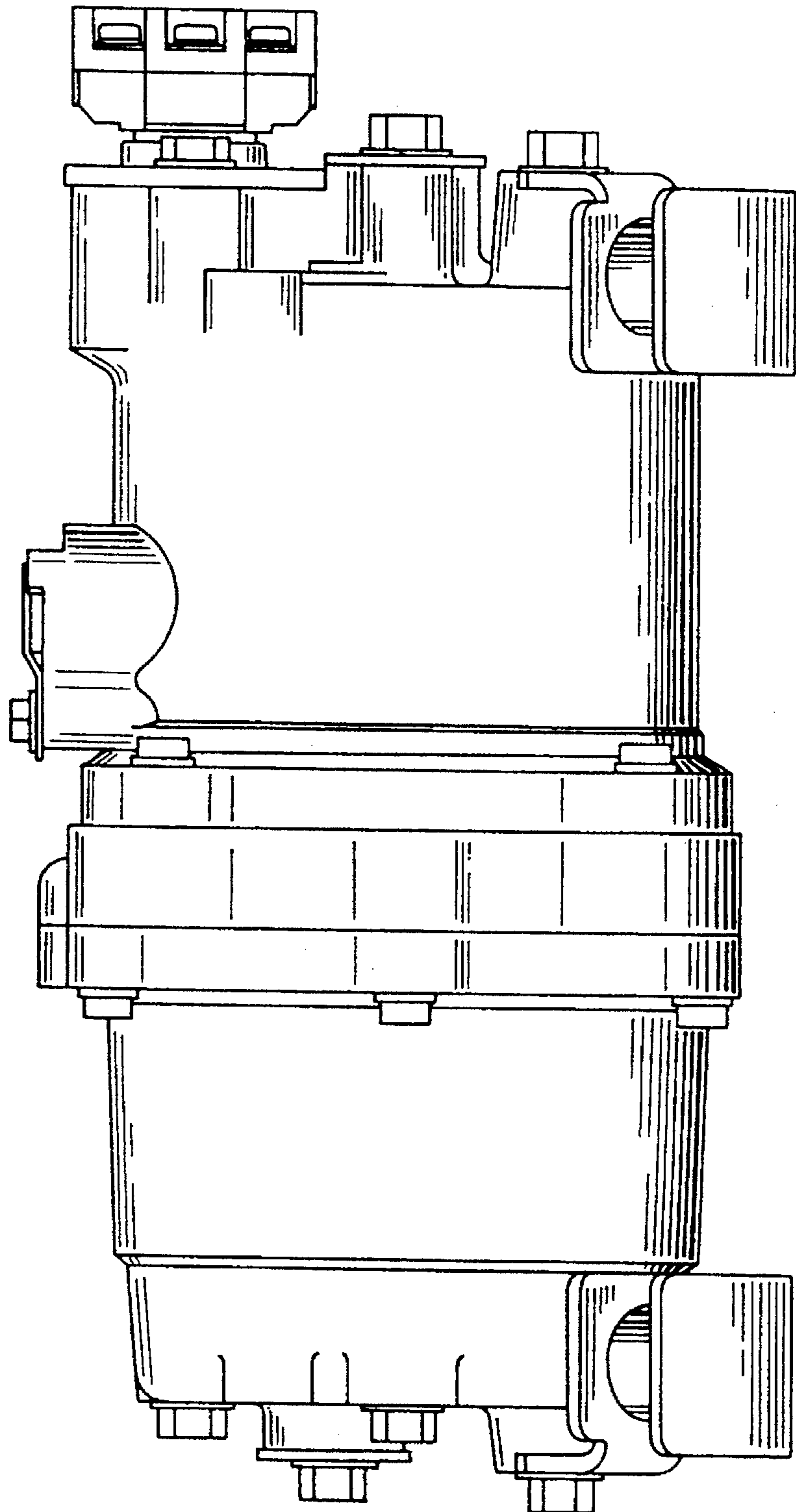


FIG. 5

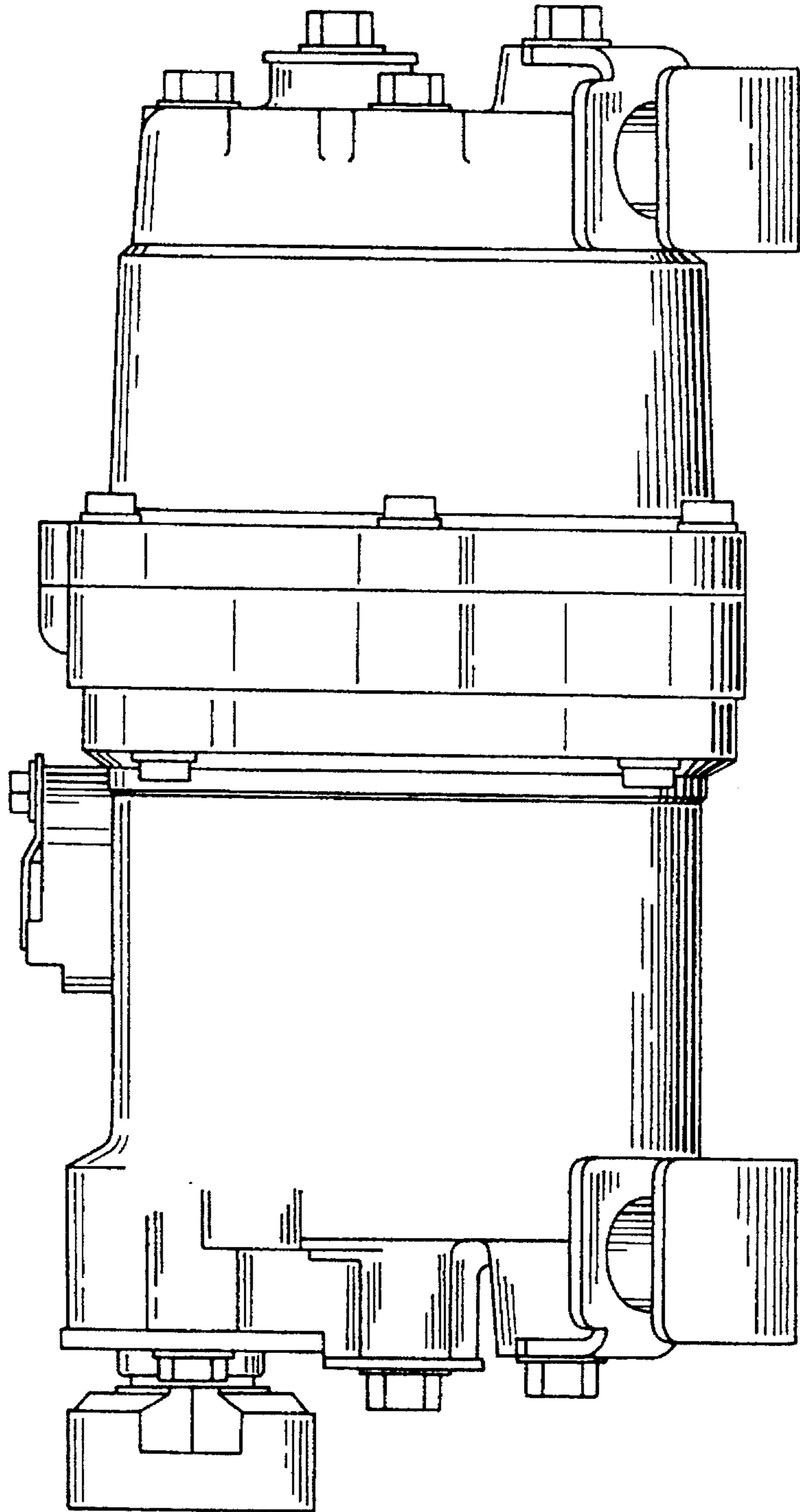


FIG. 7

