



US00D370220S

**United States Patent** [19]  
**Hardman**

[11] **Patent Number: Des. 370,220**

[45] **Date of Patent: \*\*May 28, 1996**

[54] **KEYBOARD HOLDER**

[76] Inventor: **Colin Hardman**, 279 MacDonald Road,  
Oakville, Ontario L6J 2A6, Canada

[\*\*] Term: **14 Years**

[21] Appl. No.: **29,363**

[22] Filed: **Oct. 4, 1994**

[52] U.S. Cl. .... **D14/114**

[58] **Field of Search** ..... D14/100, 114;  
248/201, 205.3, 316.8, 918, 671; 211/41;  
D6/420; 108/5, 6, 143, 148; 206/557

[56] **References Cited**

**U.S. PATENT DOCUMENTS**

D. 357,006	4/1995	Adelsohn .....	D14/114
4,515,086	5/1985	Kwiecek et al. ....	108/143 X
4,931,978	6/1990	Drake et al. ....	108/143 X
4,958,737	9/1990	Auerbach .....	206/557

5,085,879	2/1992	Elbaz .....	206/557 X
5,273,250	12/1993	Pemberton .....	248/918 X
5,294,087	3/1994	Drabczyk et al. ....	108/143 X

*Primary Examiner*—M. H. Tung  
*Attorney, Agent, or Firm*—Rogers & Scott

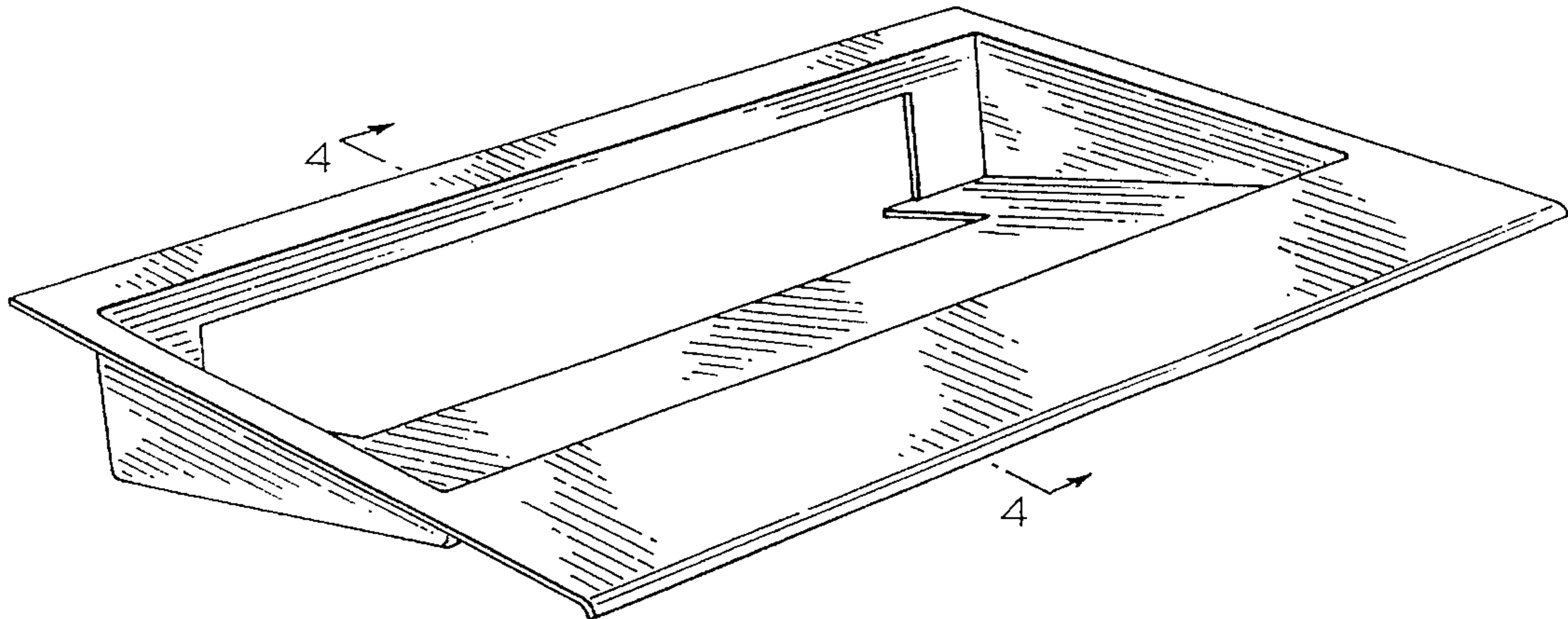
[57] **CLAIM**

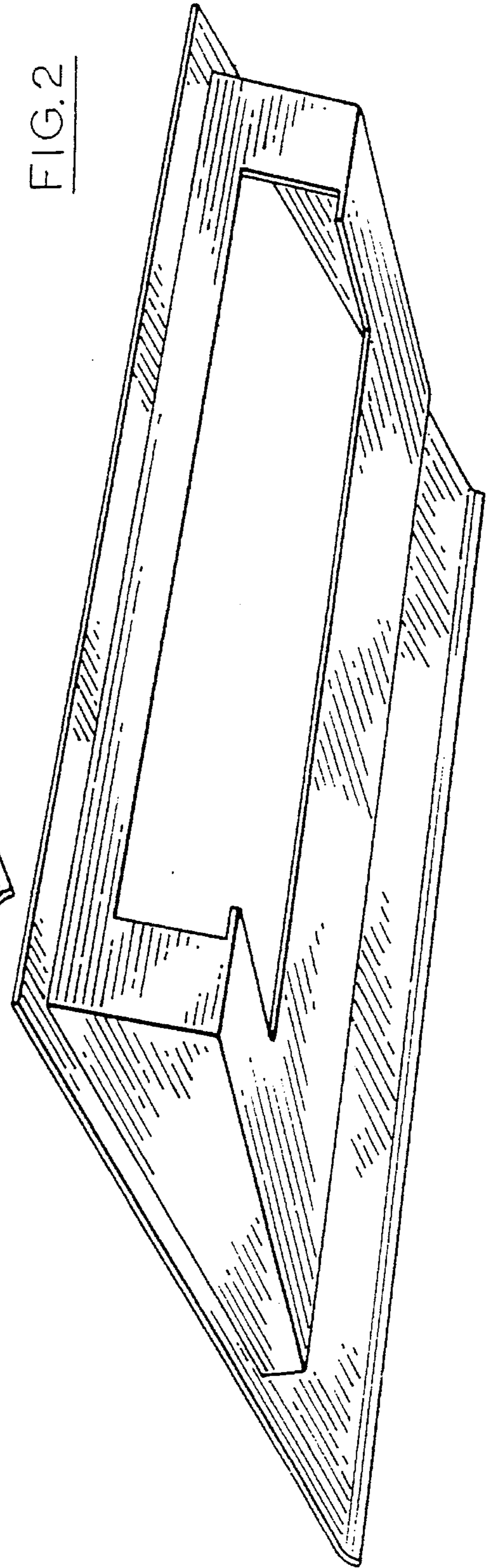
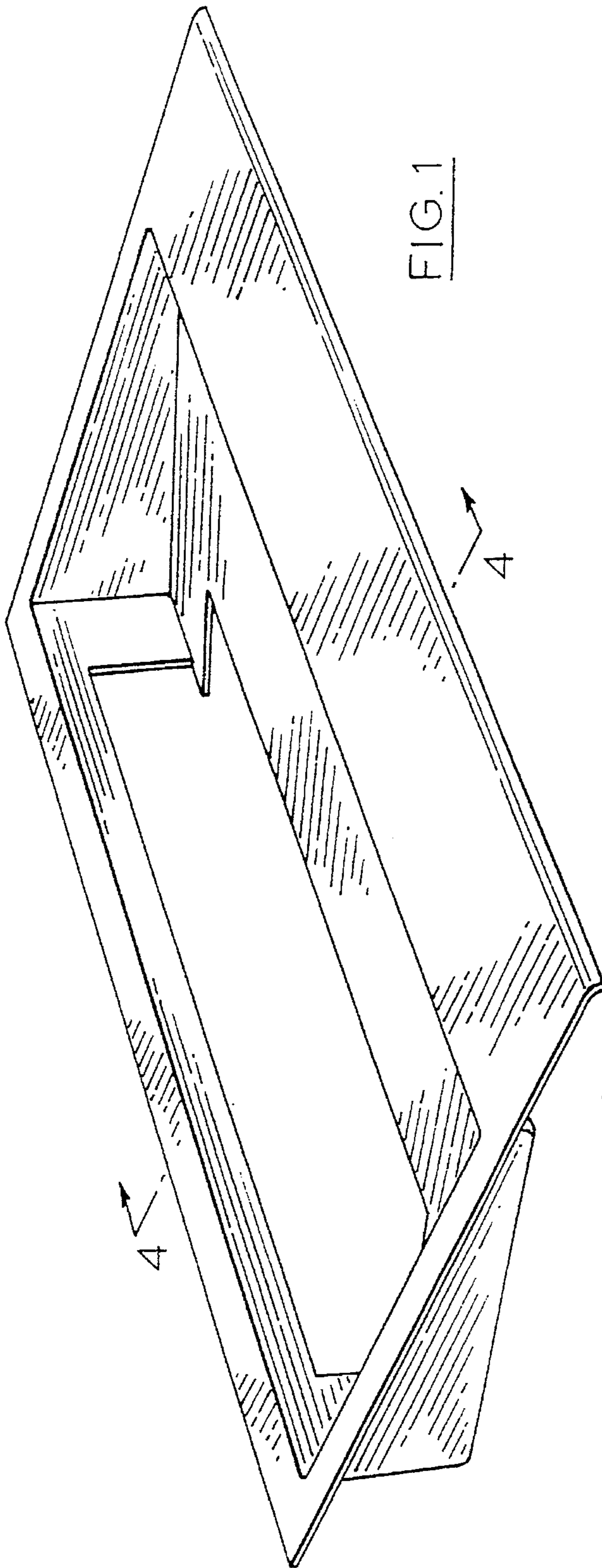
The ornamental design for a keyboard holder, as shown and described.

**DESCRIPTION**

FIG. 1 is a top, side perspective view of a keyboard holder; FIG. 2 is a bottom, opposite side perspective view; FIG. 3 is a top plan view on an enlarged scale; and, FIG. 4 is a sectional view taken on line 4—4 of FIG. 1 on an enlarged scale, the broken line drawing of a desk and an operator's hand being shown for illustrative purposes only and forming no part of the claimed design.

**1 Claim, 3 Drawing Sheets**





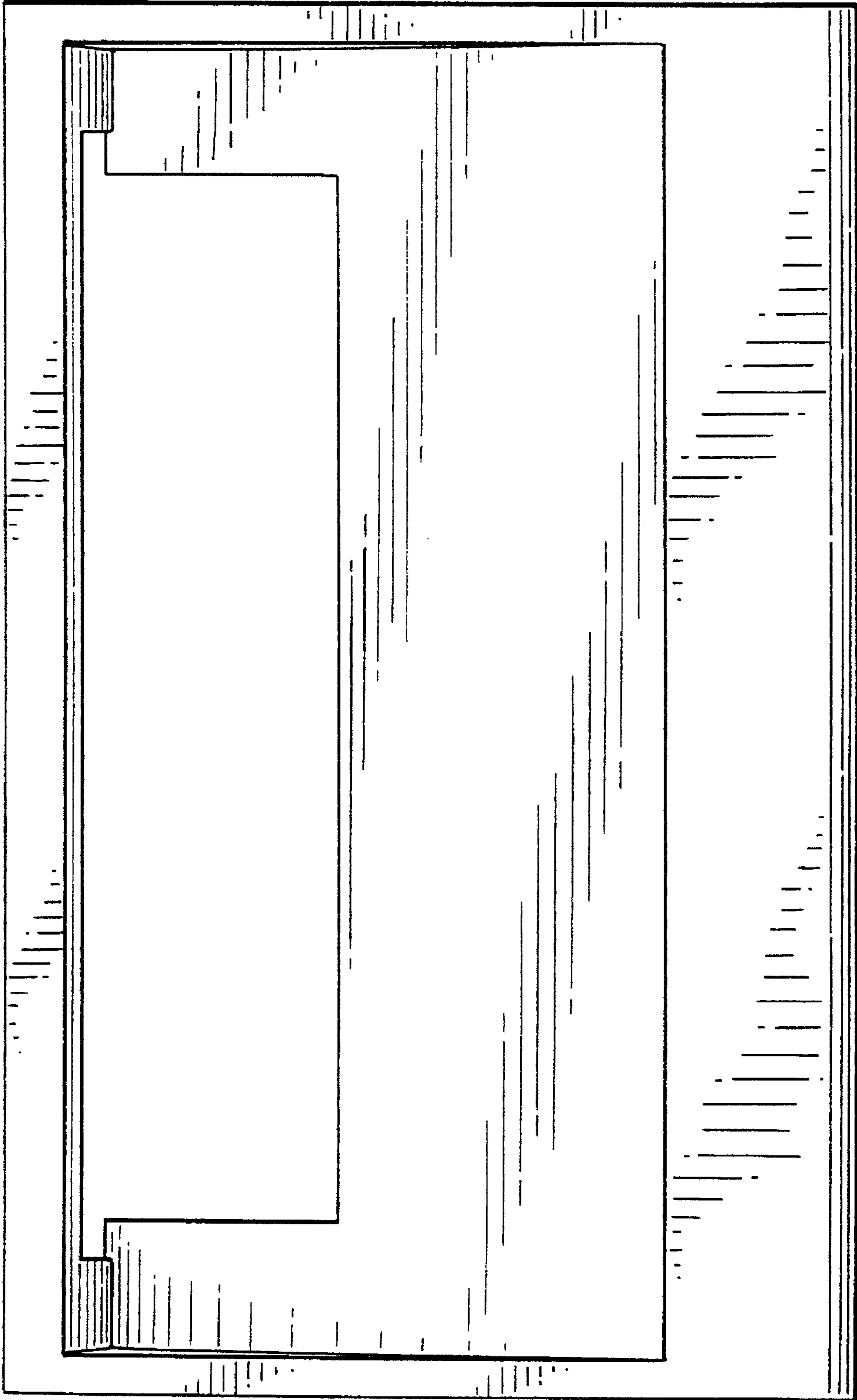


FIG. 3

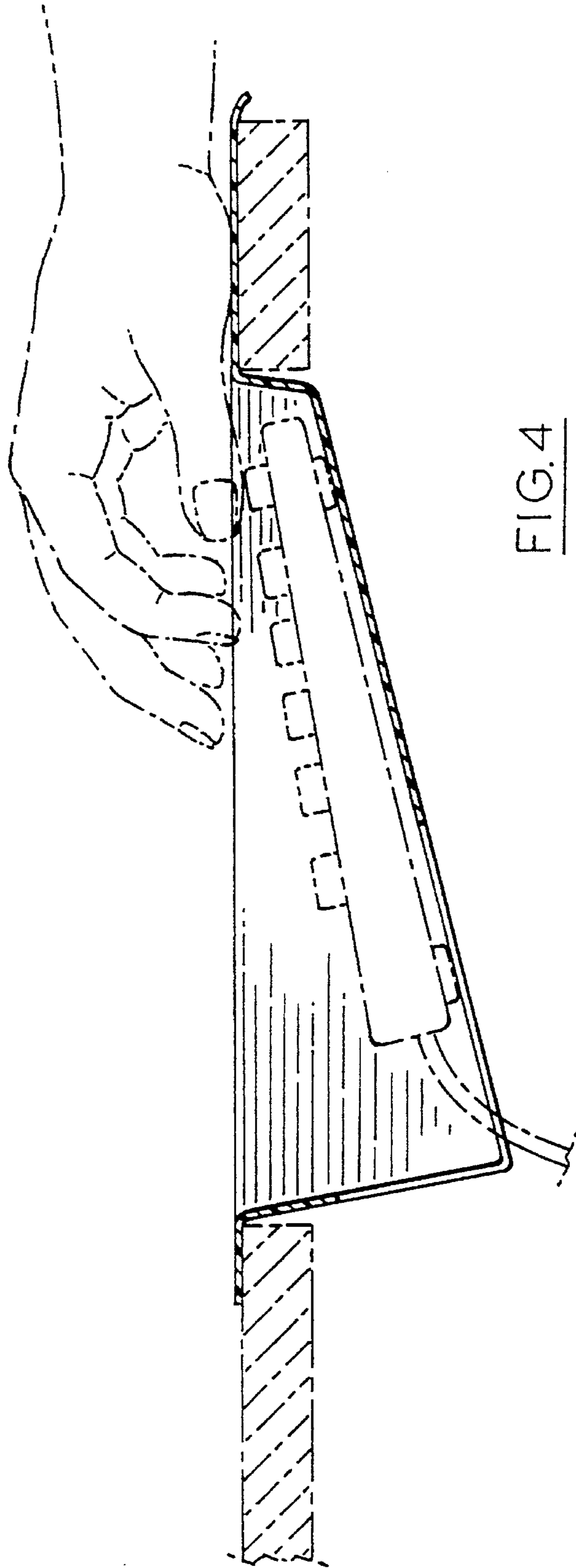


FIG. 4