



US00D370218S

United States Patent [19]

Goodner et al.

[11] Patent Number: **Des. 370,218**

[45] Date of Patent: ****May 28, 1996**

[54] **MONITOR**

D. 332,784 1/1993 Wiseman et al. D14/113
D. 345,349 3/1994 Imai et al. D14/113

[75] Inventors: **Douglas E. Goodner**, Fishers, Ind.;
Karen M. MacMurtrie, Austin, Tex.;
Richard Sapper, Milan, Italy

Primary Examiner—Freda Nunn
Attorney, Agent, or Firm—Casimer K. Salys

[73] Assignee: **International Business Machines Corporation**, Armonk, N.Y.

[57] CLAIM

[**] Term: **14 Years**

The ornamental design for a monitor, as shown and described.

[21] Appl. No.: **29,342**

DESCRIPTION

[22] Filed: **Oct. 3, 1994**

[52] U.S. Cl. **D14/113**

[58] Field of Search D14/100, 101,
D14/106, 113, 124-129; 345/104, 133,
156, 168, 173, 87, 901-905; 358/249, 254,
255; 248/917-924

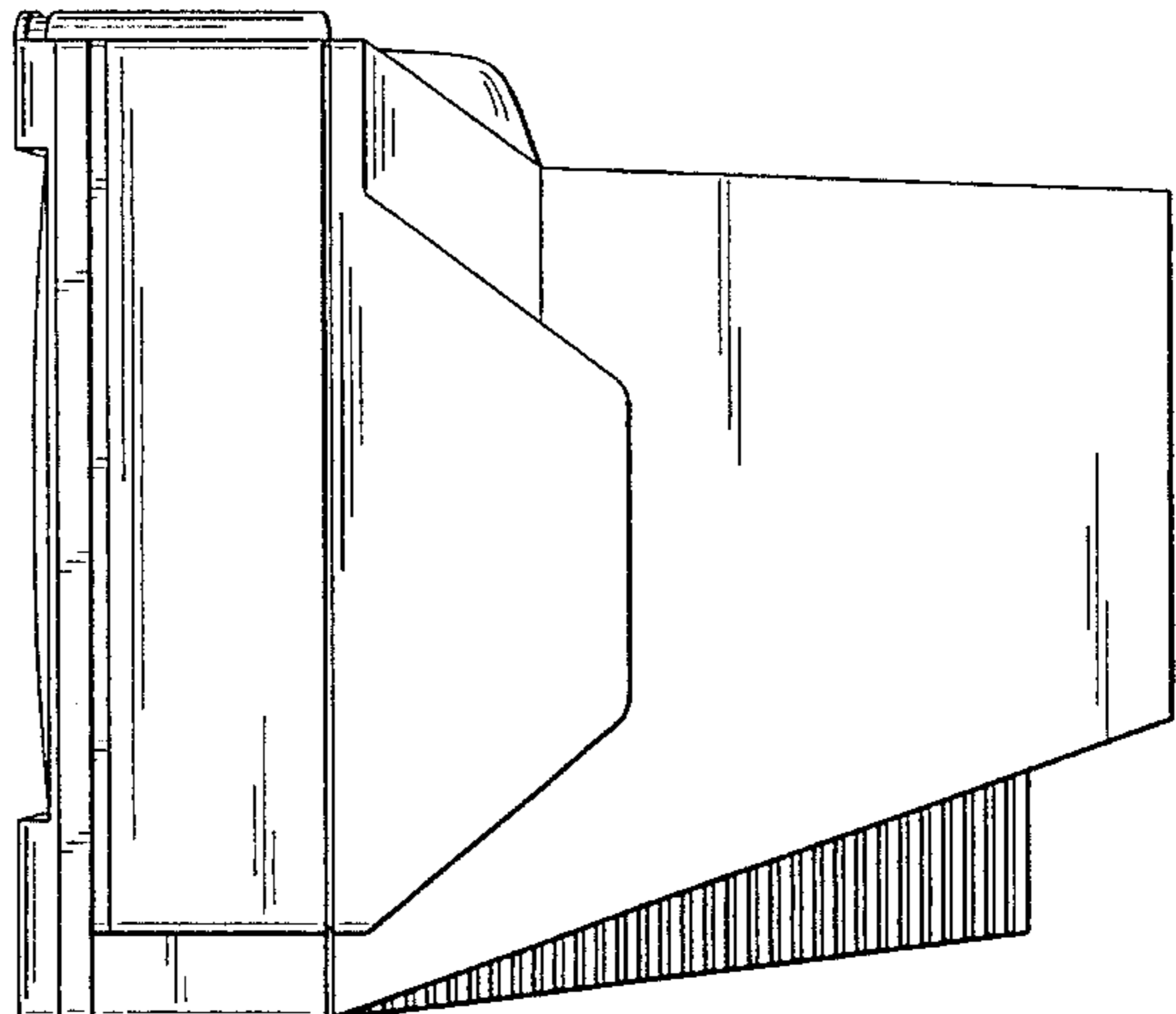
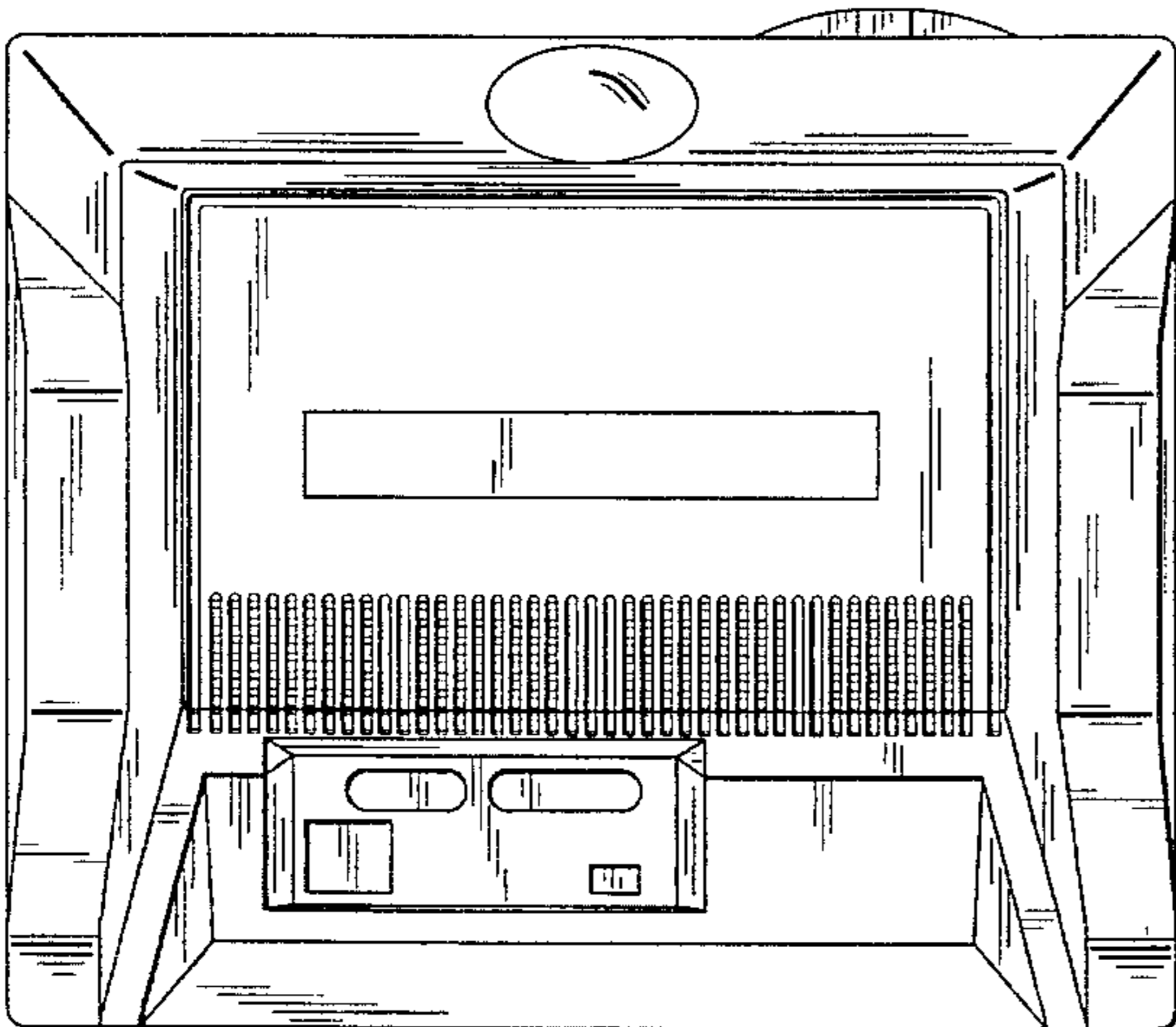
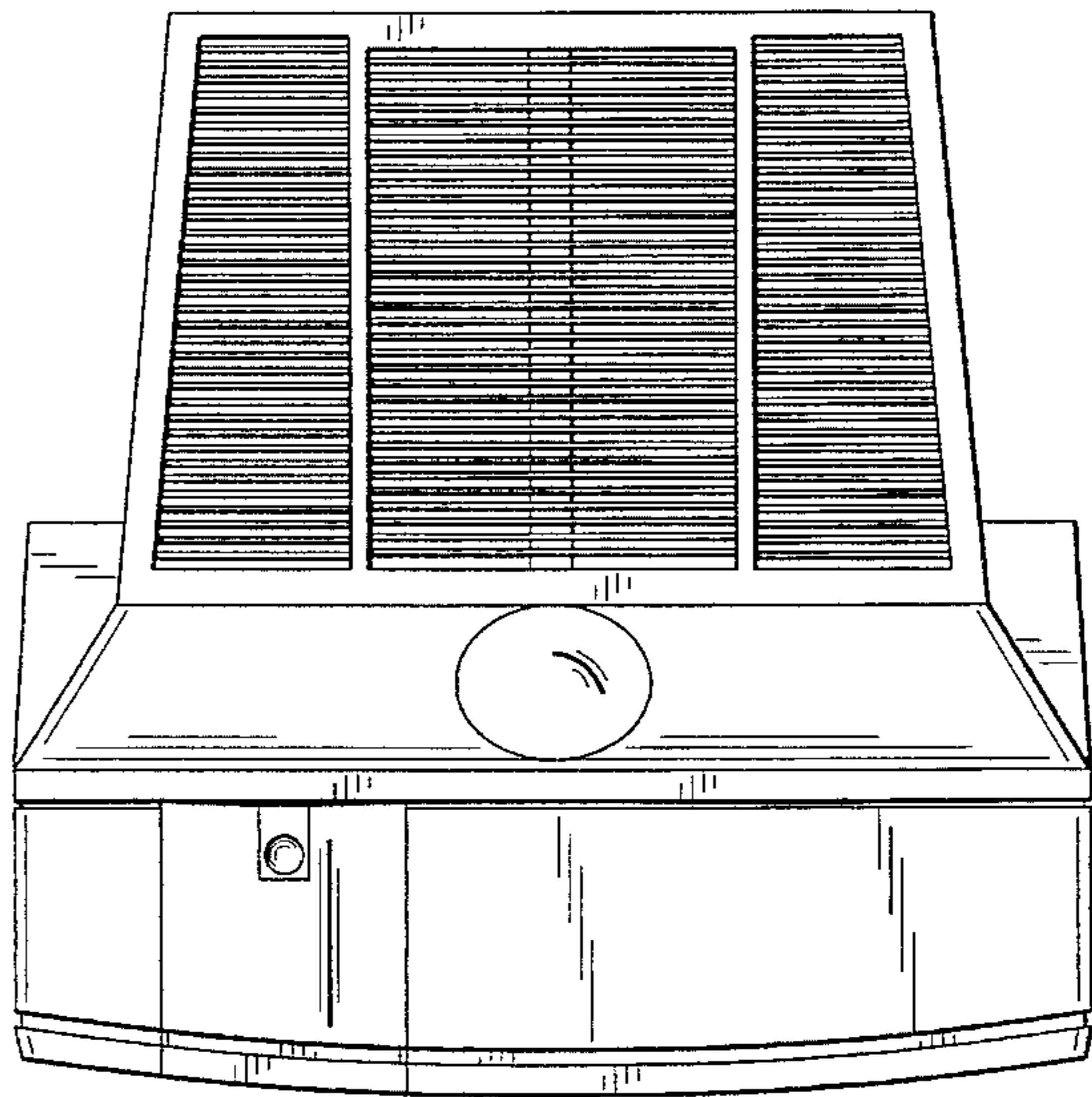
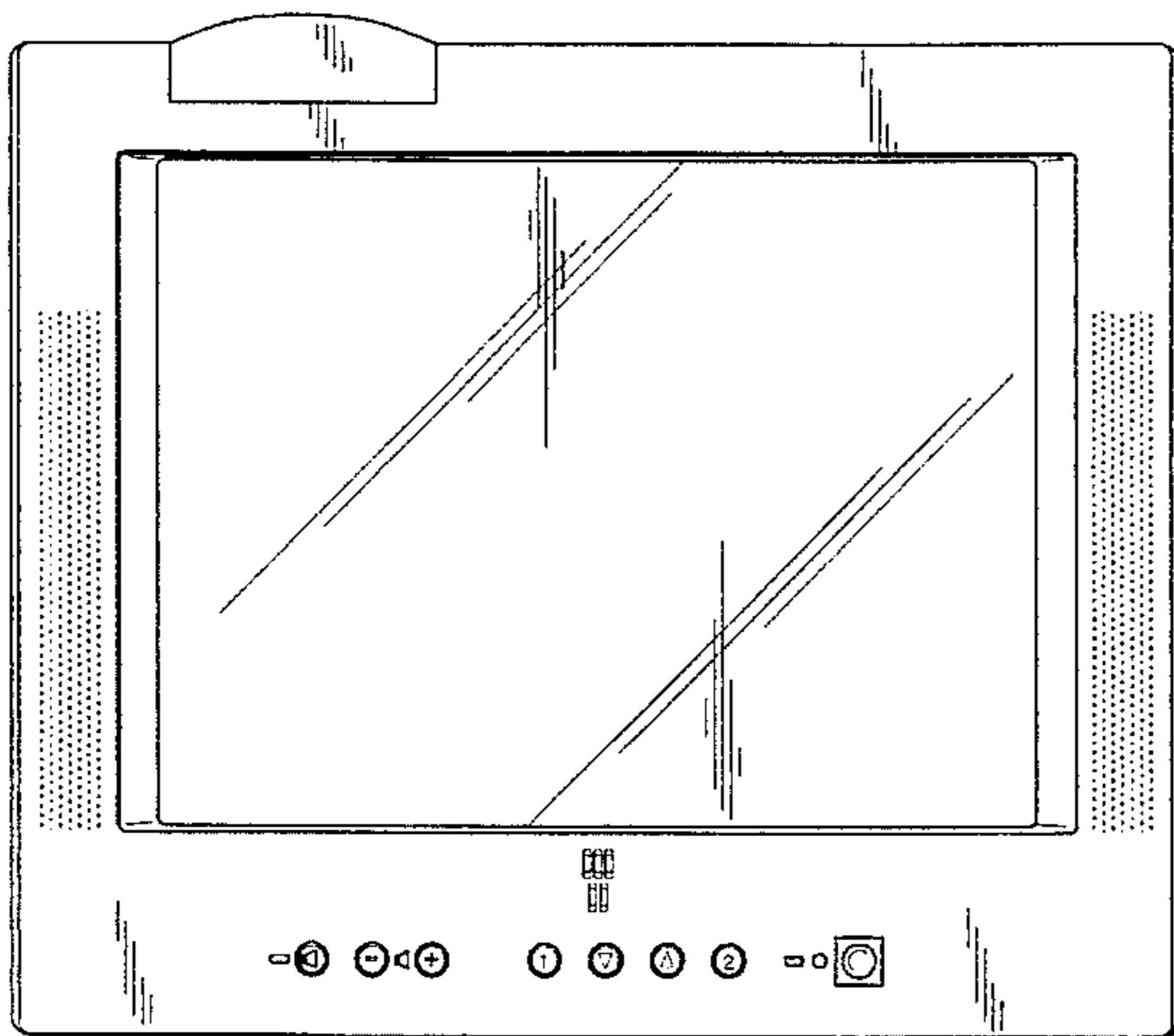
FIG. 1 is a front view of a monitor showing our new design;
FIG. 2 is a rear view thereof;
FIG. 3 is a top plan view thereof;
FIG. 4 is a right side view thereof;
FIG. 5 is a left side view thereof; and,
FIG. 6 is a bottom plan view thereof.

[56] References Cited

U.S. PATENT DOCUMENTS

D. 331,744 12/1992 Kawai D14/106

1 Claim, 6 Drawing Sheets



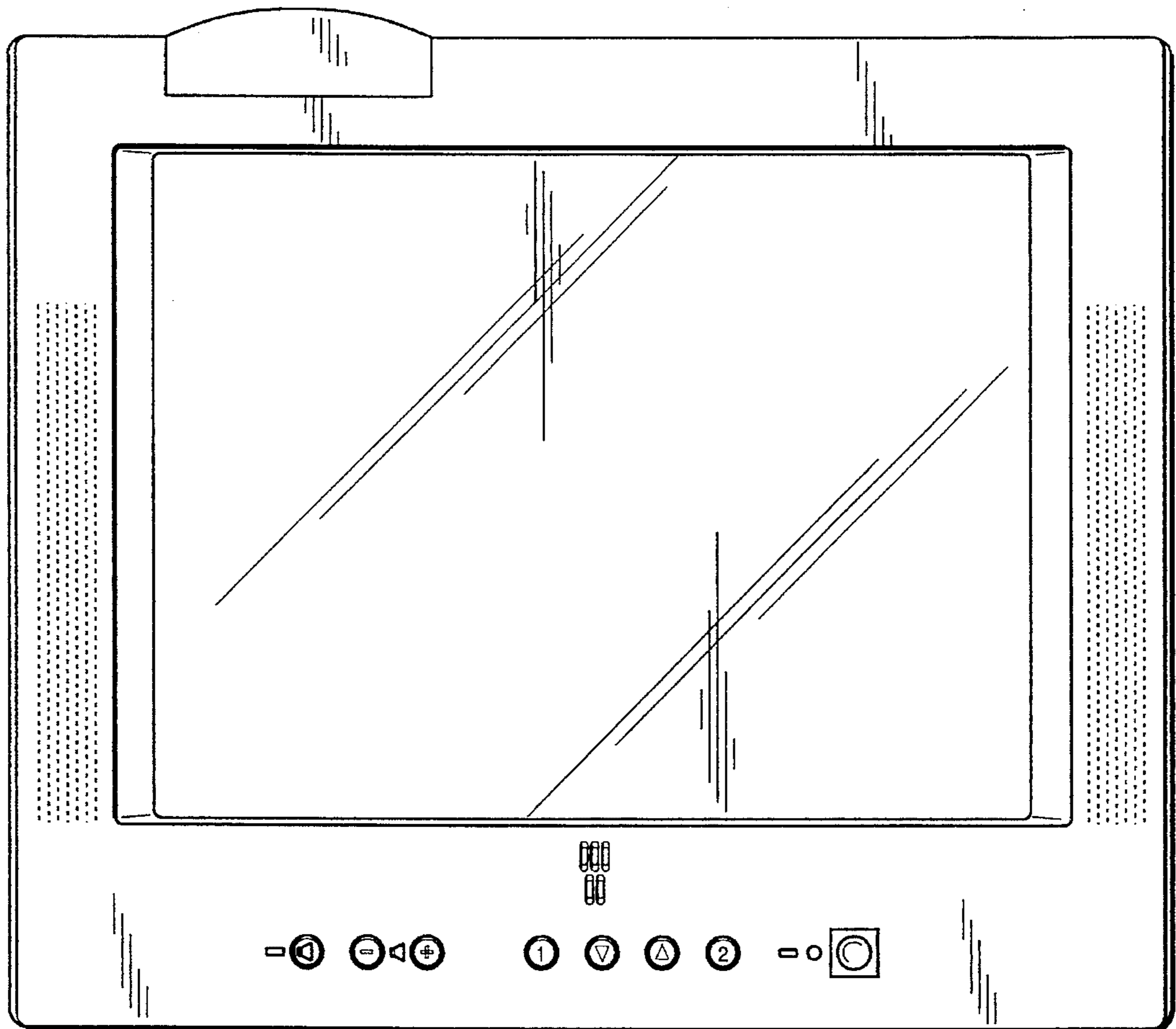


FIG. 1

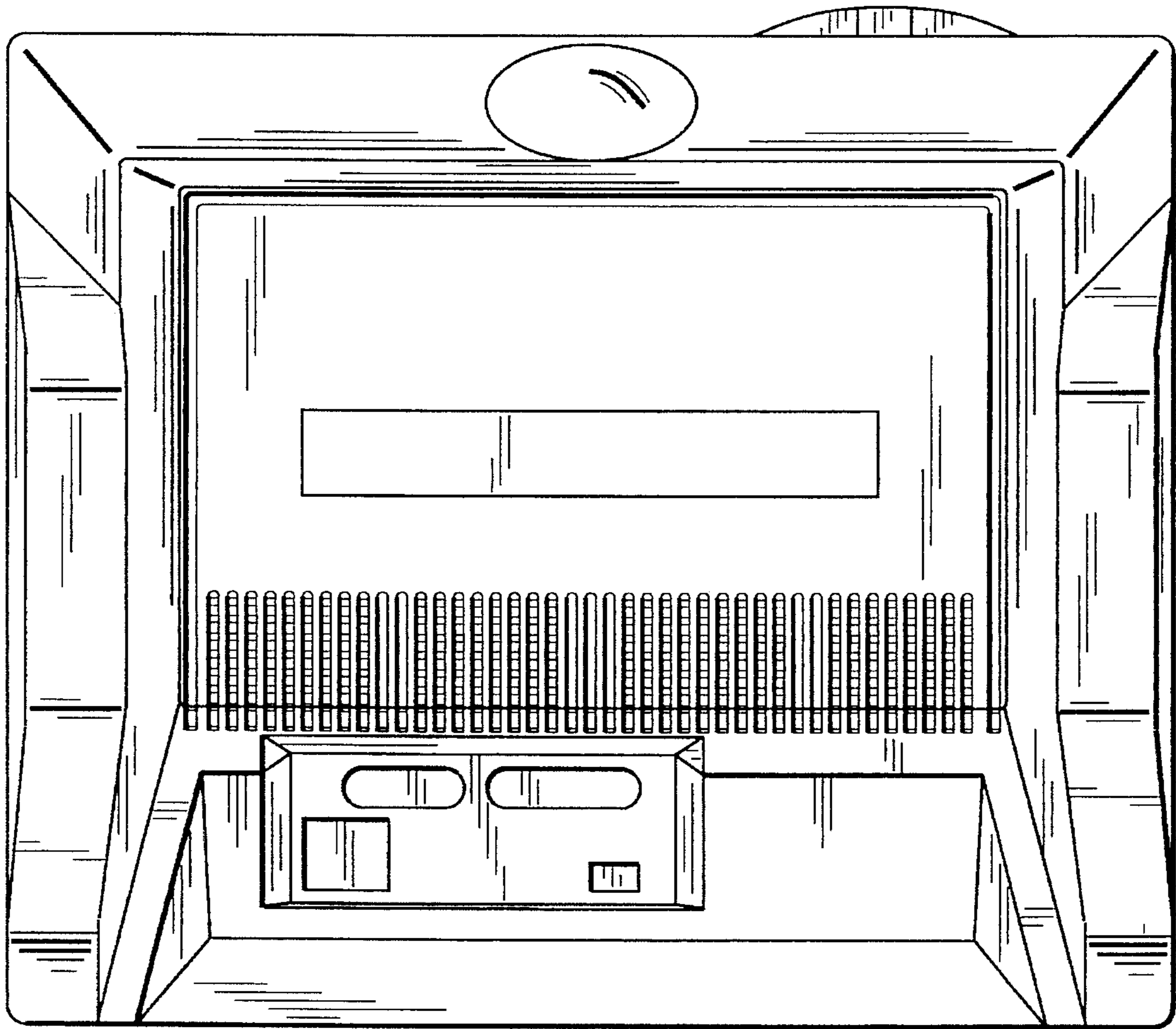


FIG. 2

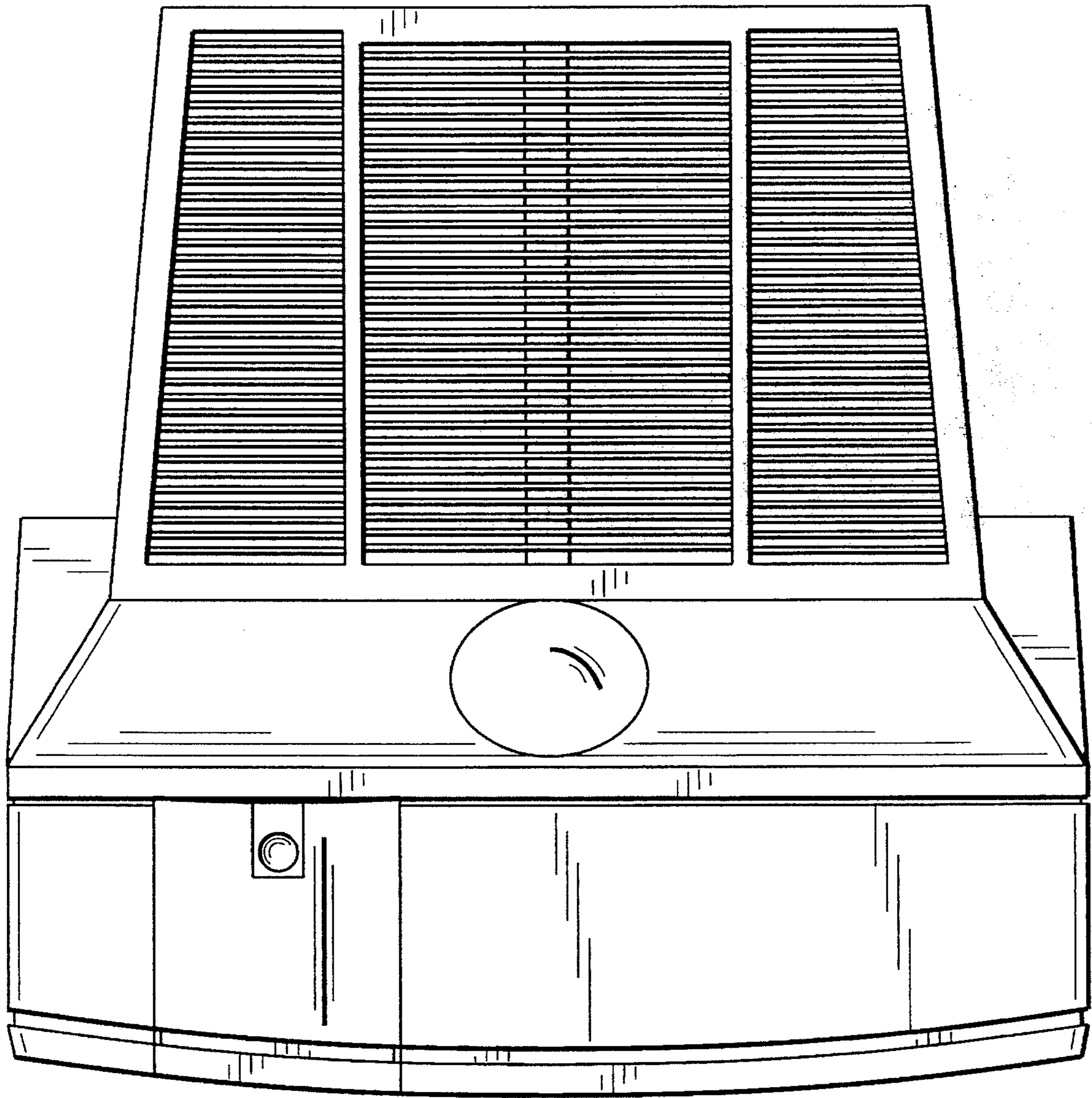


FIG. 3

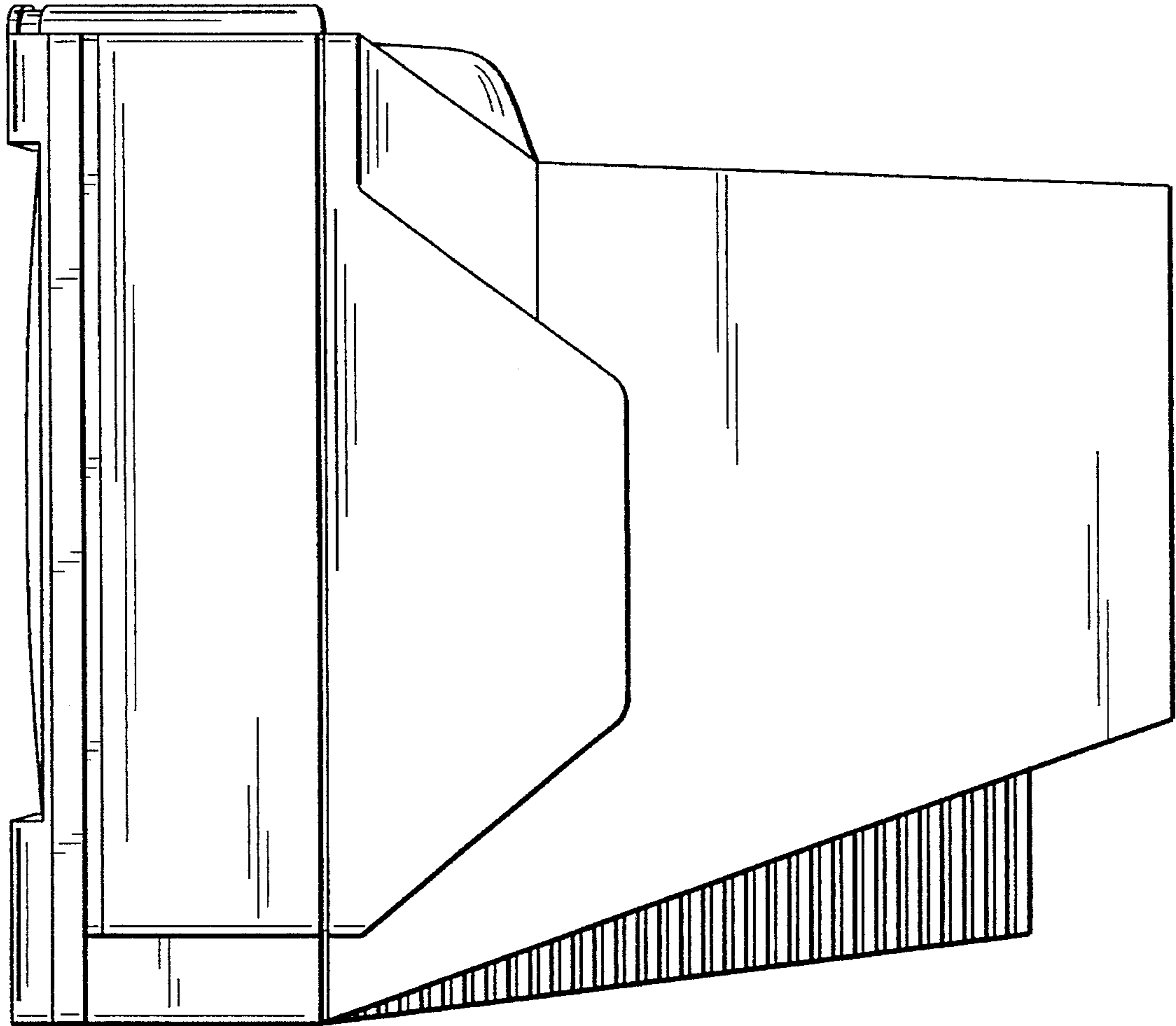


FIG. 4

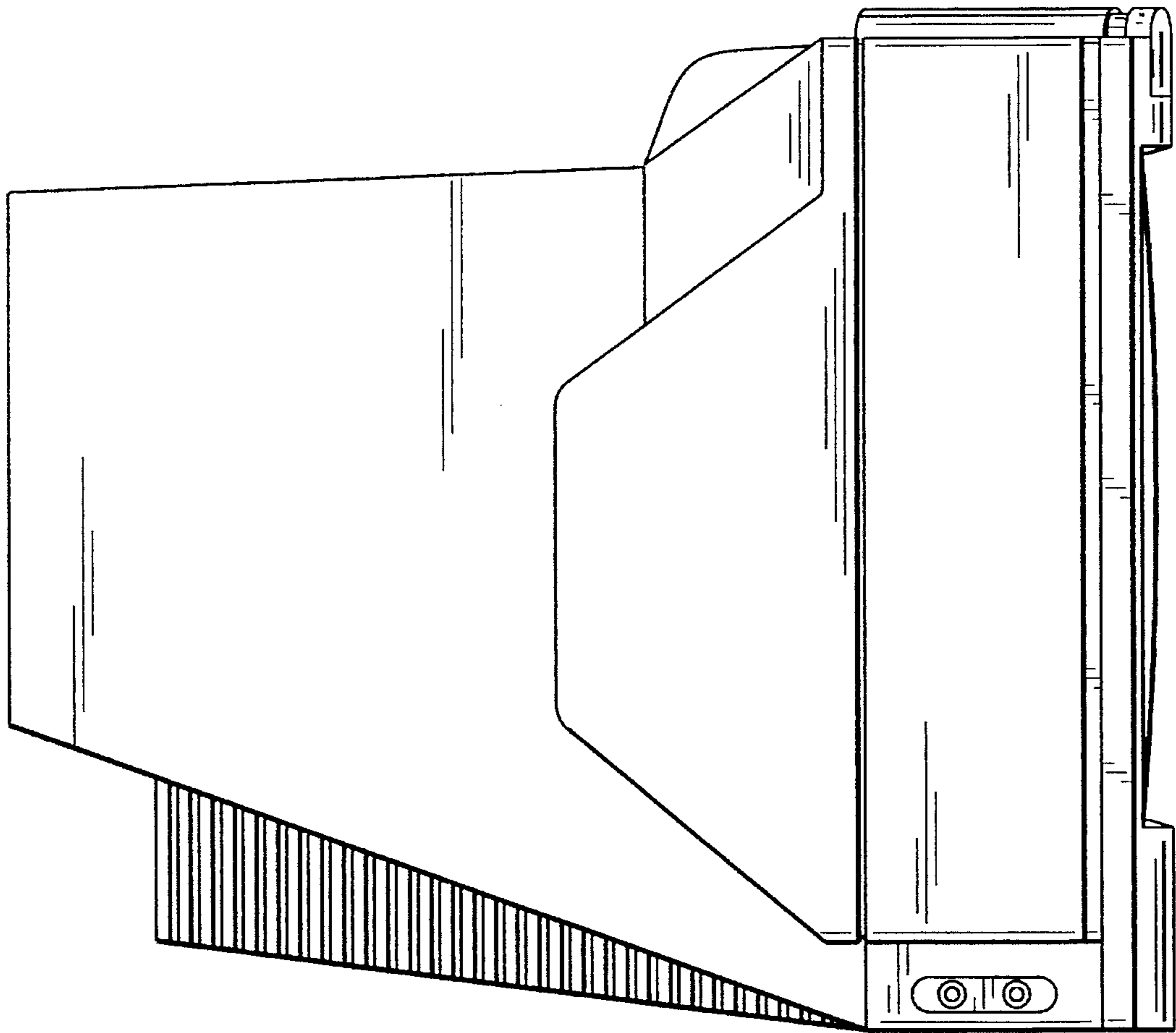


FIG. 5

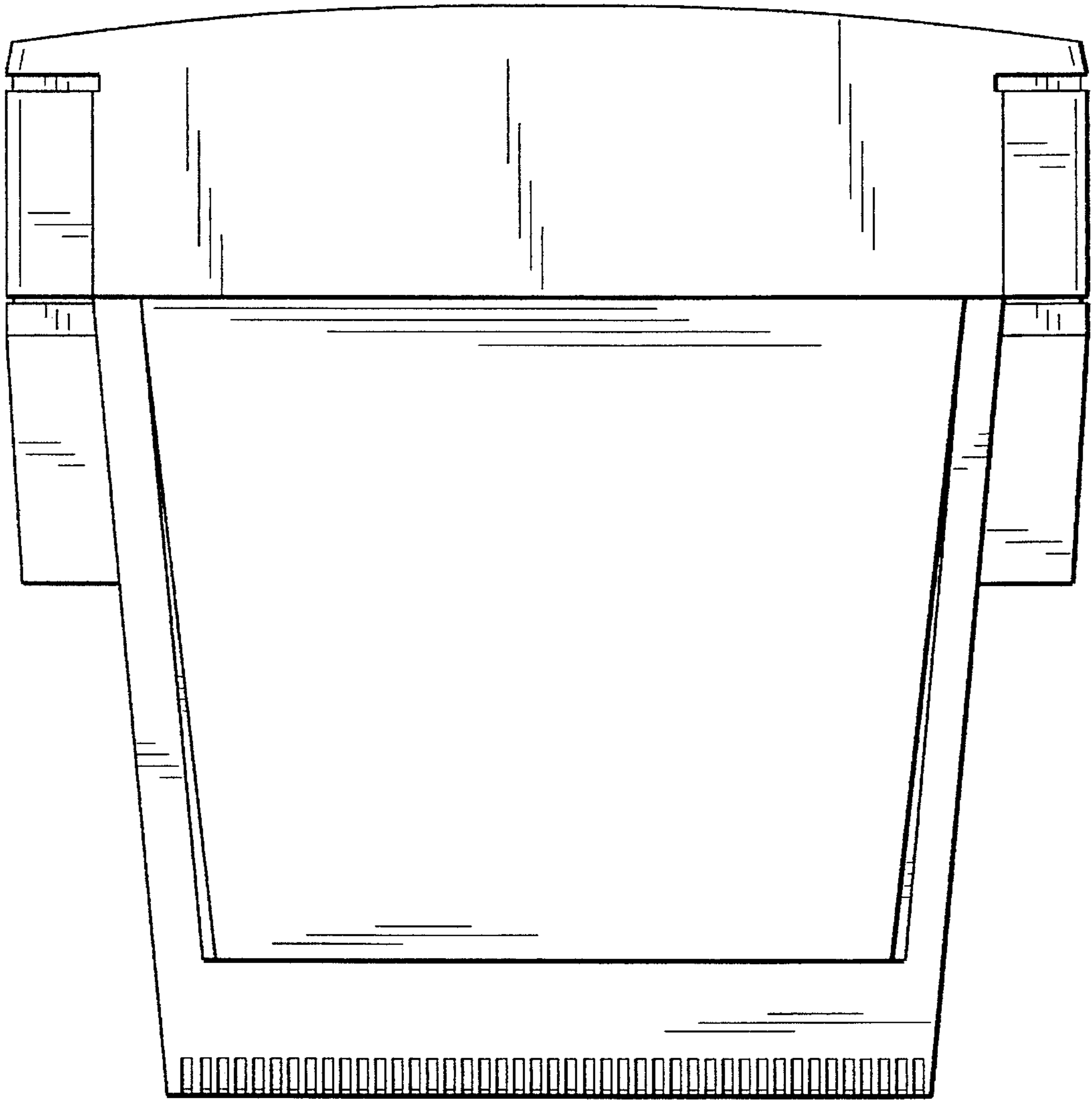


FIG. 6