



US00D370211S

United States Patent [19]

Lee

[11] Patent Number: **Des. 370,211**

[45] Date of Patent: ****May 28, 1996**

[54] **HARD DISK DRIVE CASING**

D. 360,406 7/1995 Hill et al. D14/100

[76] Inventor: **Chi H. Lee**, P.O. Box 82-144, Taipei, Taiwan

Primary Examiner—Freda Nunn
Attorney, Agent, or Firm—Alfred Lei

[**] Term: **14 Years**

[57] **CLAIM**

The ornamental design for a hard disk drive casing, as shown and described.

[21] Appl. No.: **36,820**

[22] Filed: **Mar. 28, 1995**

DESCRIPTION

[52] U.S. Cl. **D14/102; D14/109**

[58] **Field of Search** D14/100, 102, D14/107-109; D13/162, 184, 199; D6/432, 436, 445, 448; 312/208.1; 360/97.01, 97.04, 98.01, 99.01, 99.12; 361/600, 622, 724-728

FIG. 1 is a perspective view of a hard disk drive casing of my new design;

FIG. 2 is a front view thereof;

FIG. 3 is a rear view thereof;

FIG. 4 is a left side elevational view thereof;

FIG. 5 is a right side elevational view thereof;

FIG. 6 is a top plan view thereof; and,

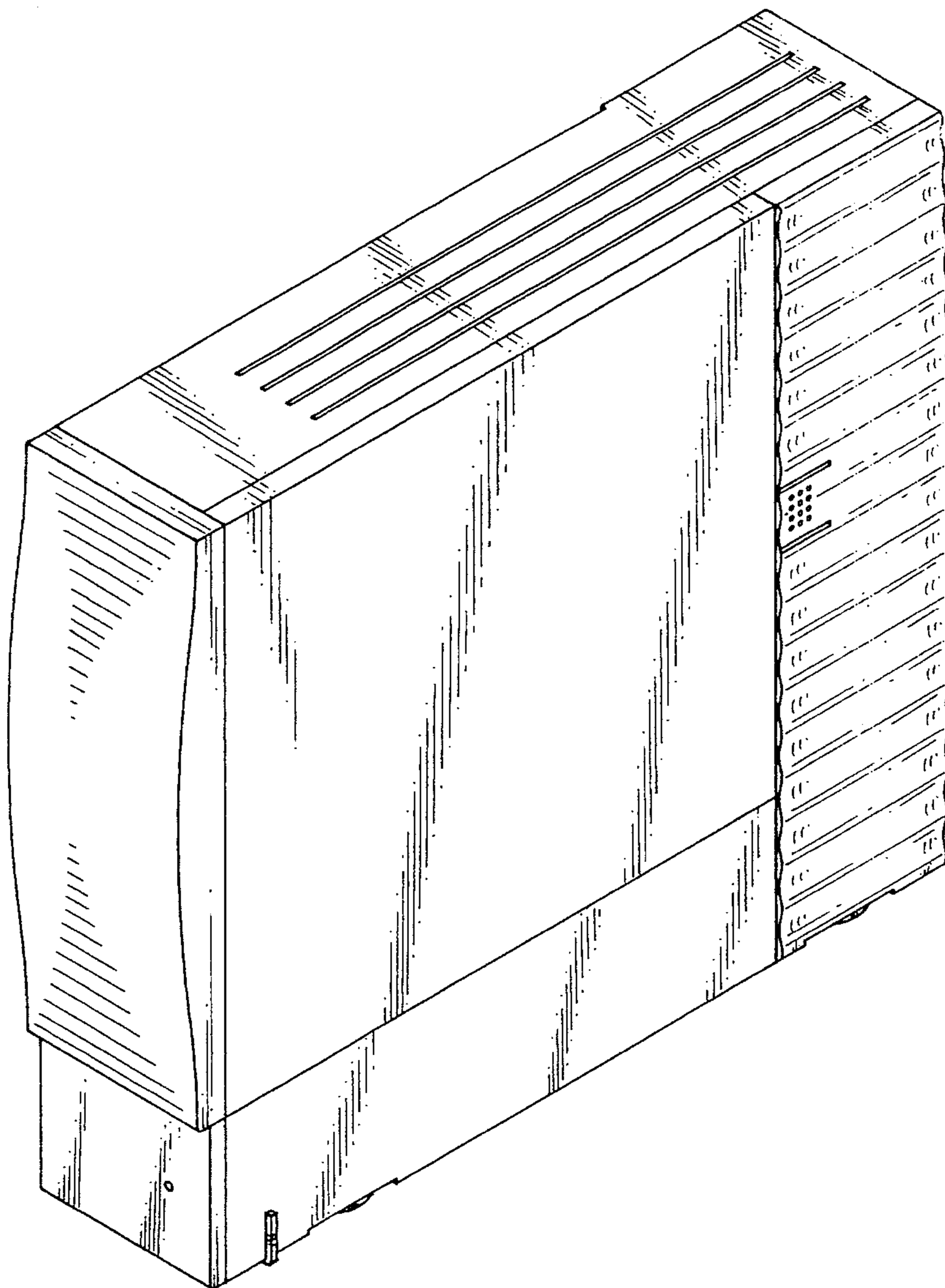
FIG. 7 is a bottom plan view thereof.

[56] **References Cited**

U.S. PATENT DOCUMENTS

- D. 335,489 5/1993 Sander D14/100
- D. 344,266 2/1994 Wingate D14/100

1 Claim, 4 Drawing Sheets



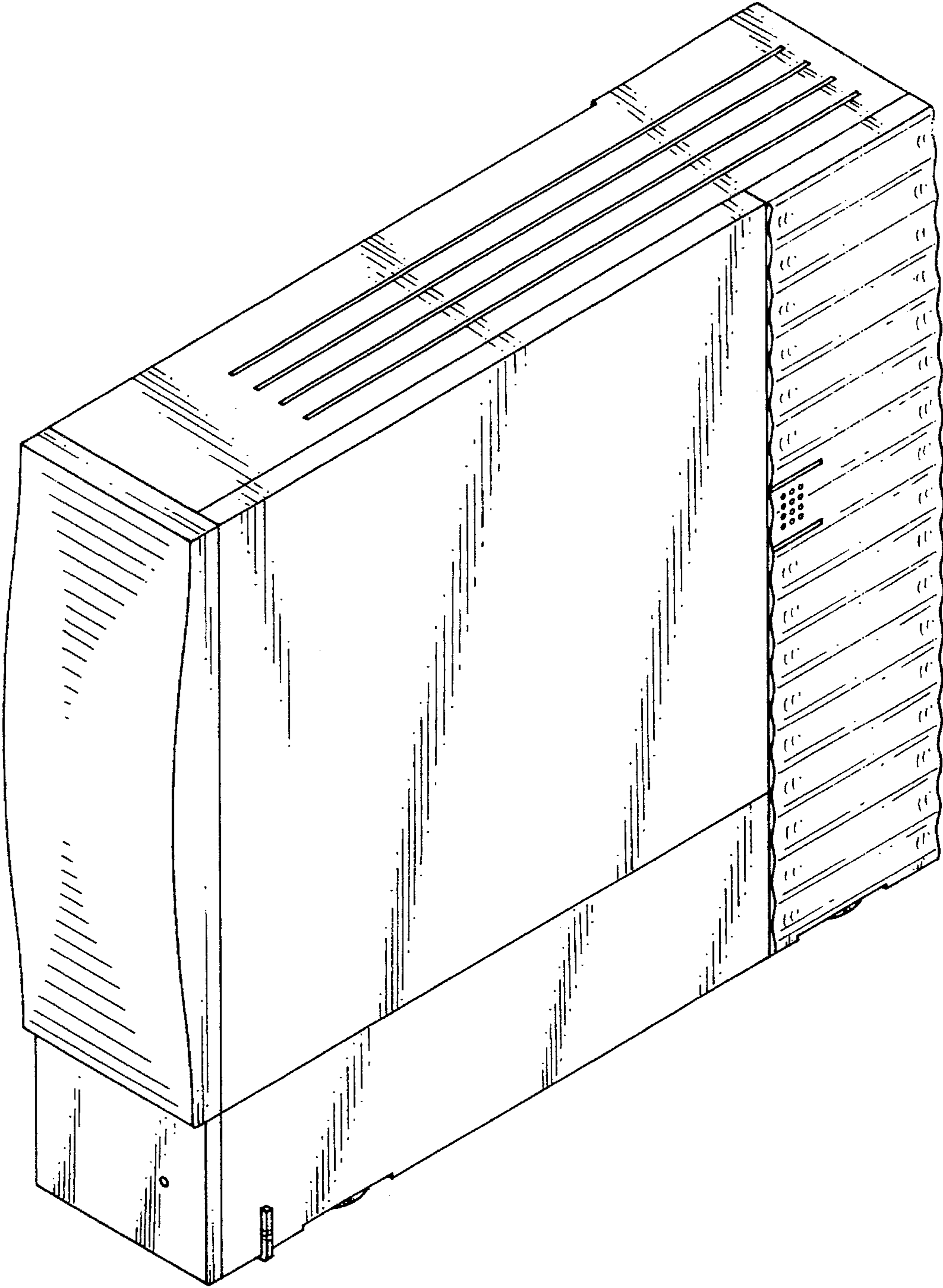


FIG. 1

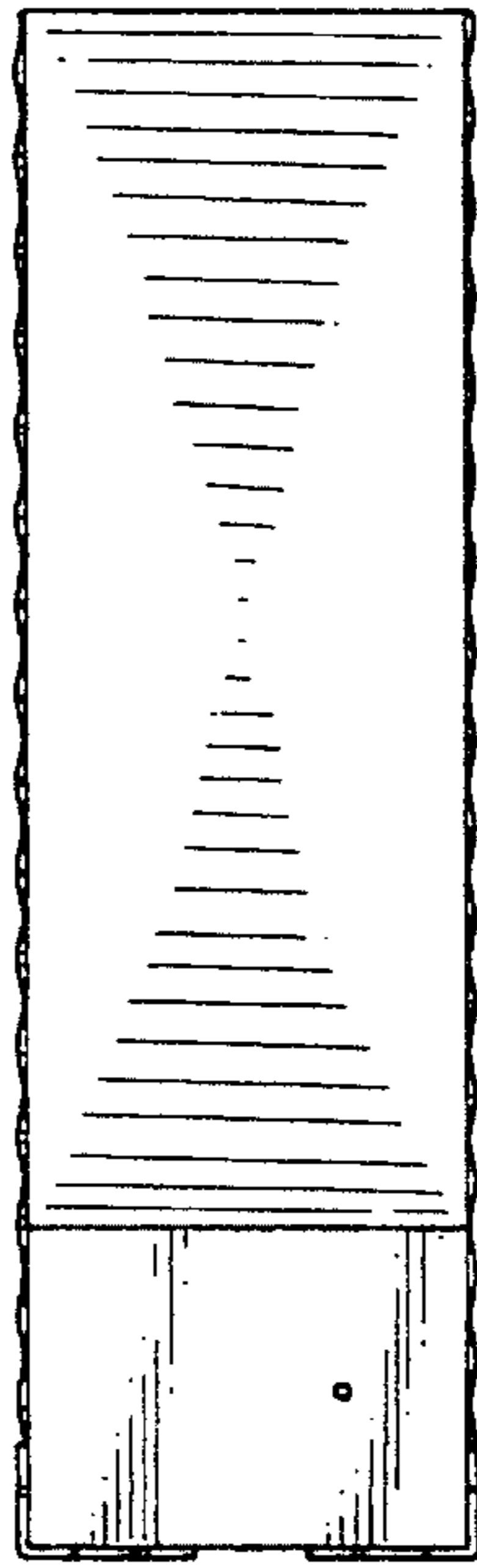


FIG. 2

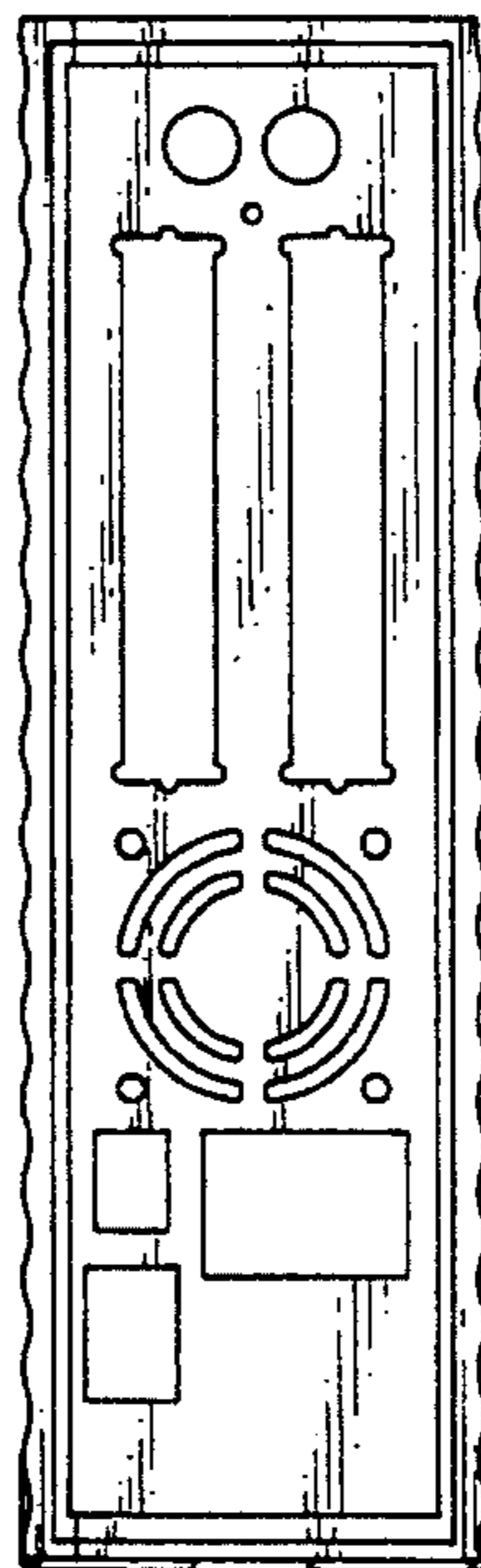


FIG. 3

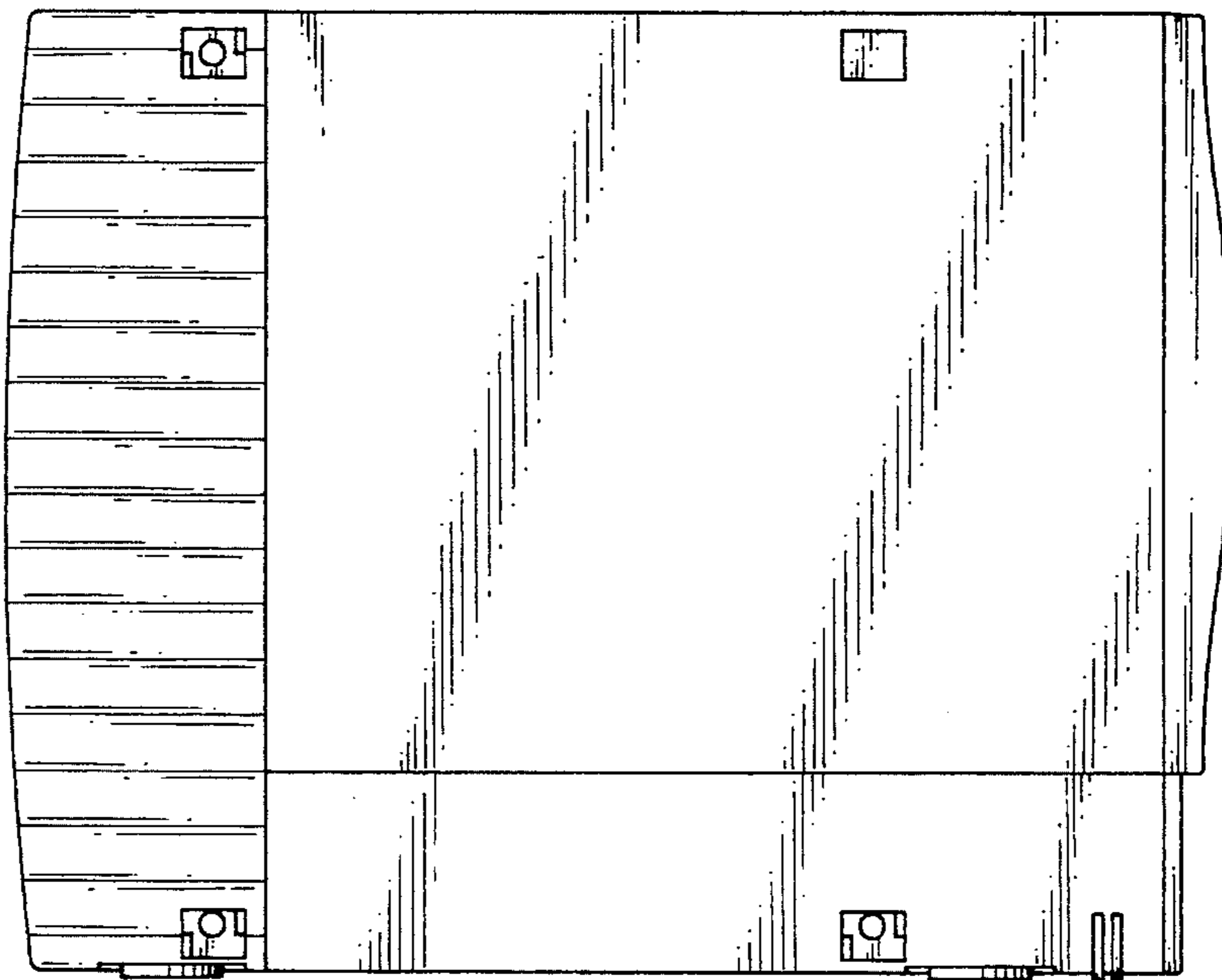


FIG. 4

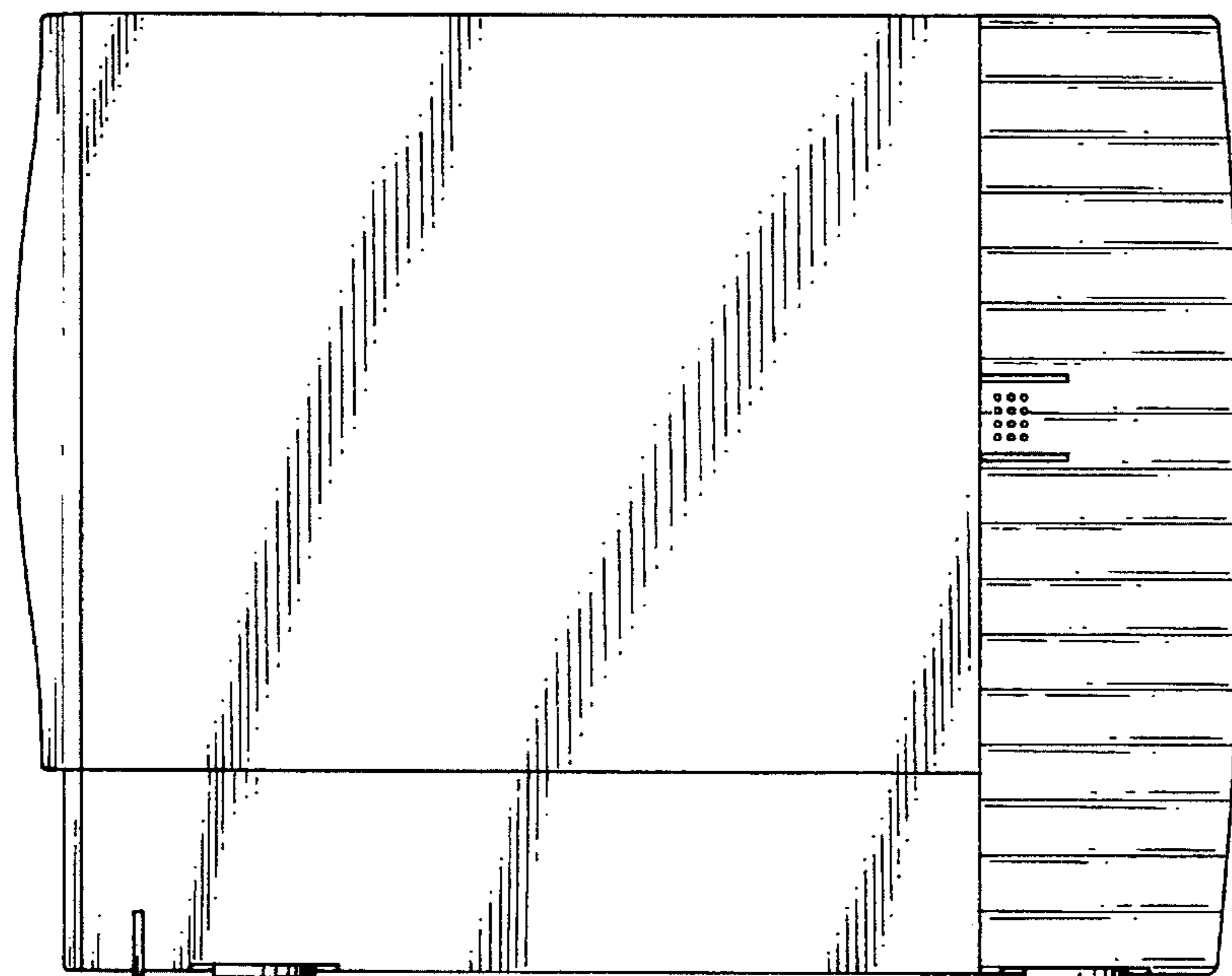


FIG. 5

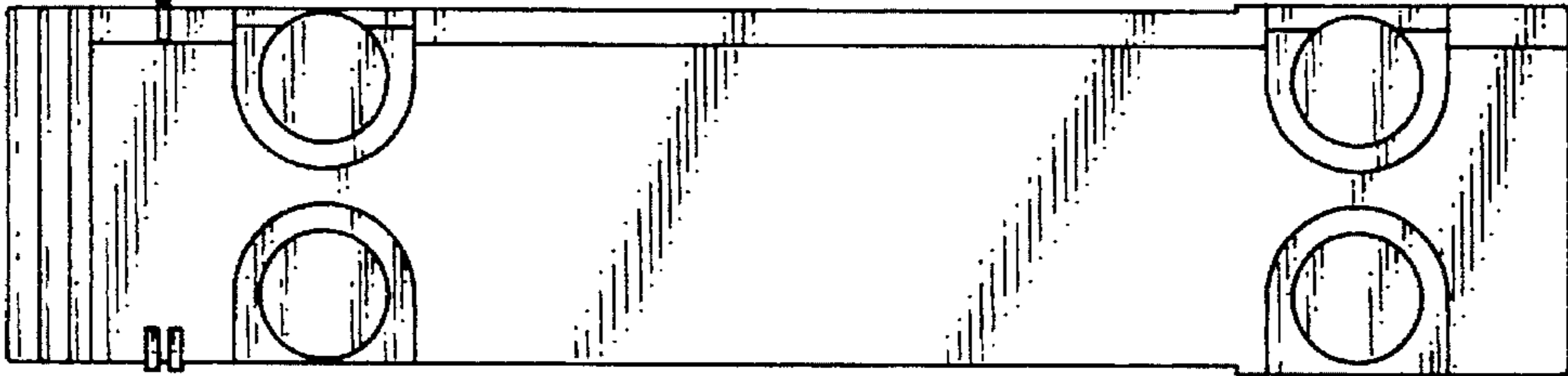


FIG. 7

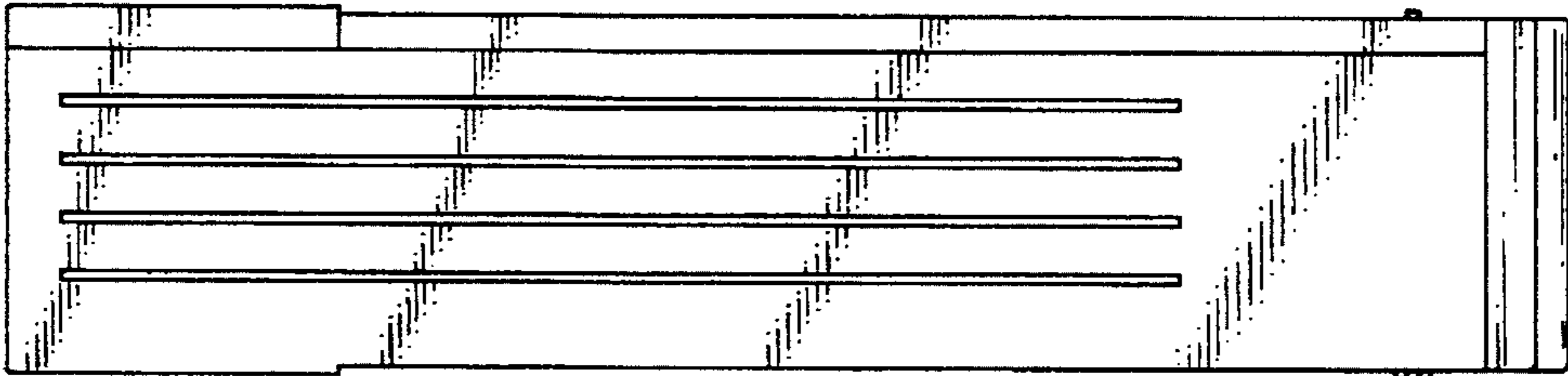


FIG. 6