



US00D370207S

# United States Patent [19]

[11] Patent Number: Des. 370,207

Grewe et al.

[45] Date of Patent: \*\*May 28, 1996

[54] **PEN-BASED PERSONAL COMMUNICATOR**

[75] Inventors: **Anthony J. Grewe**, Holmdel; **Harish S. Mangrulkar**, Colonia; **David C. Stowers**, Nutley; **Michael P. Zambelli**, Livingston, all of N.J.

[73] Assignee: **AT&T Corp.**, Murray Hill, N.J.

[\*\*] Term: **14 Years**

[21] Appl. No.: **15,878**

[22] Filed: **Dec. 1, 1993**

[52] U.S. Cl. .... **D14/100**

[58] **Field of Search** ..... D14/100, 106, D14/115; D18/1, 7, 11, 12; 178/18, 19; 345/104, 156, 173, 901, 905; 364/708.1, 709.04, 709.12; 434/307-309; D19/52, 59, 60, 62

[56] **References Cited**

**U.S. PATENT DOCUMENTS**

D. 343,831	2/1994	Spoeth	.....	D14/106
D. 345,551	3/1994	Youens et al.	.....	D14/106
D. 349,106	7/1994	Iino et al.	.....	D14/106

*Primary Examiner*—Freda S. Nunn

*Attorney, Agent, or Firm*—Samuel R. Williamson

[57] **CLAIM**

The ornamental design of a pen-based personal communicator, as shown and described.

**DESCRIPTION**

FIG. 1 is a top, front and right side perspective view of a

pen-based personal communicator showing our new design wherein a pivotable top portion is rotated to a close position over a bottom portion and wherein a removable pen is inserted in a slot in the front of the communicator;

FIG. 2 is a bottom, rear and left side perspective view thereof;

FIG. 3 is a top plan view thereof;

FIG. 4 is a bottom plan view thereof;

FIG. 5 is a left side elevation thereof;

FIG. 6 is a right side elevation thereof;

FIG. 7 is a front elevation thereof;

FIG. 8 is a rear elevation thereof;

FIG. 9 is a bottom, front and left side perspective view of the pen-based personal communicator wherein the pivotable top portion is rotated to a partially open position;

FIG. 10 is a top, front and right side perspective view of the pen-based personal communicator wherein the pivotable top portion is rotated to a fully open position and wherein the removable pen is shown withdrawn from the slot in the front of the communicator;

FIG. 11 is a bottom plan view of the personal communicator;

FIG. 12 is a top plan view thereof;

FIG. 13 is a left side elevation thereof;

FIG. 14 is a right side elevation thereof;

FIG. 15 is a front elevation thereof;

FIG. 16 is a rear elevation thereof;

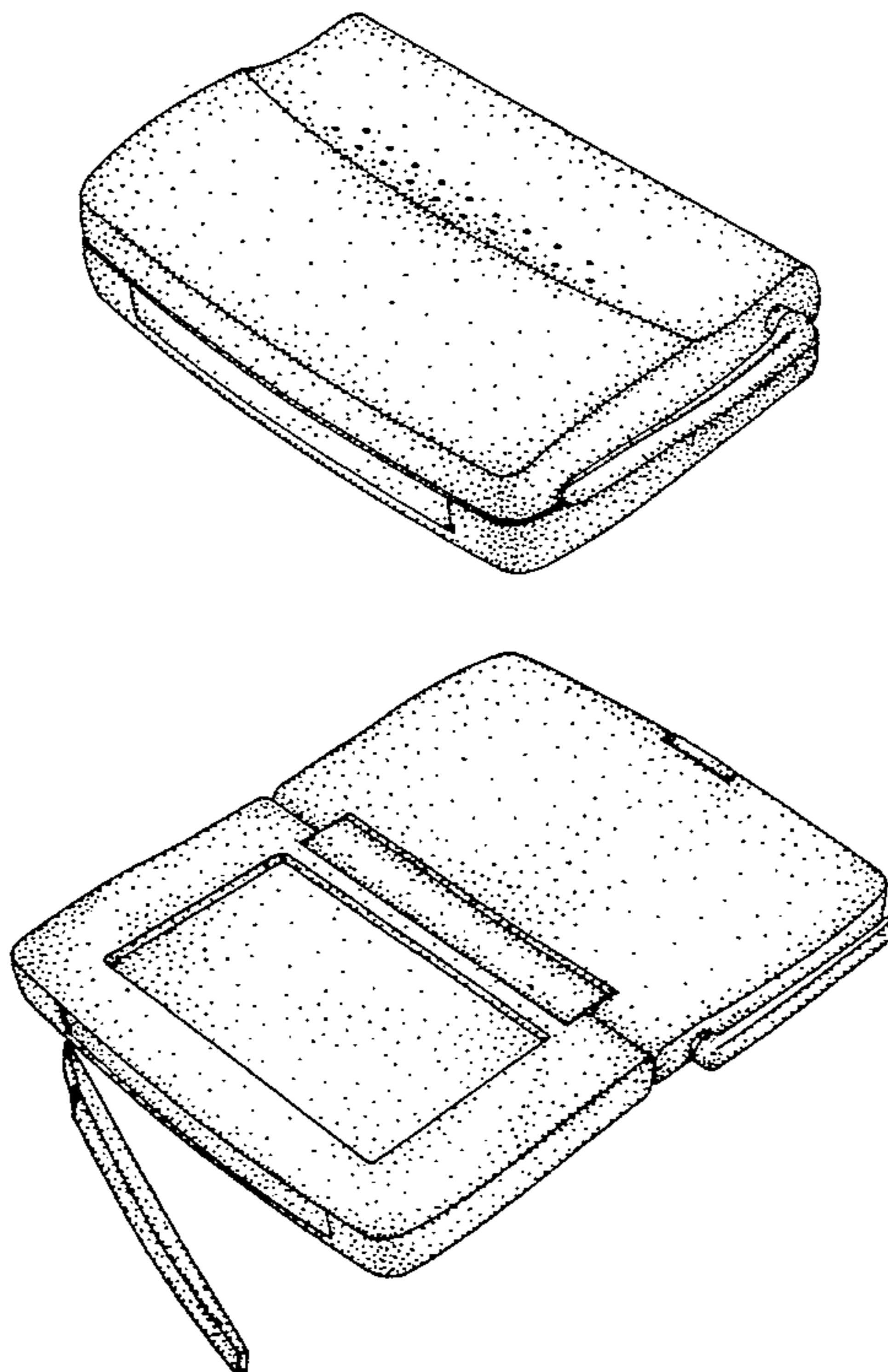
FIG. 17 is a top, front and left side perspective view of the removable pen on an enlarged scale and shown separately for clarity of illustration only;

FIG. 18 is a bottom plan view thereof;

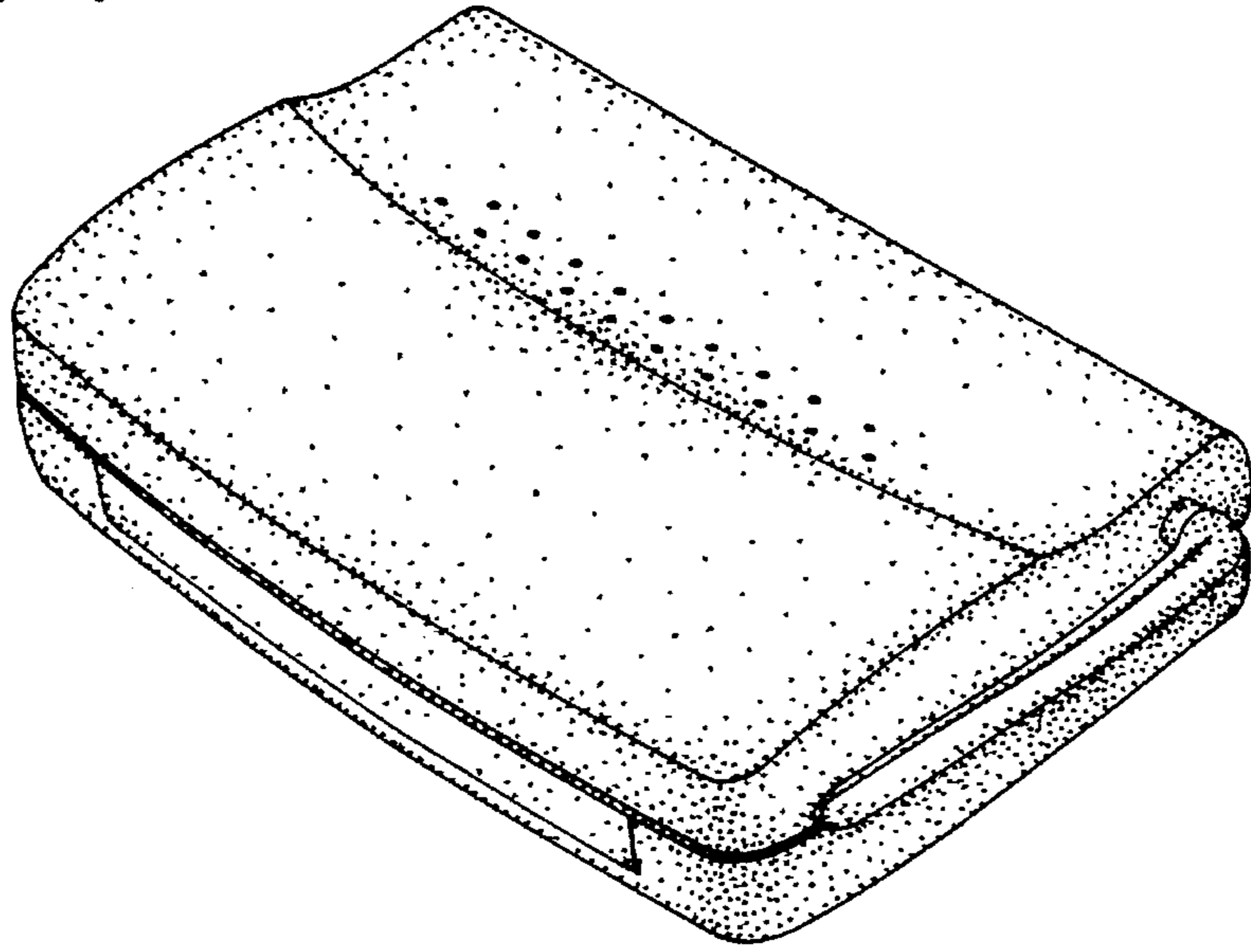
FIG. 19 is a top plan view thereof; and,

FIG. 20 is a left side elevation thereof, the opposite side being essentially a mirror image of the side shown.

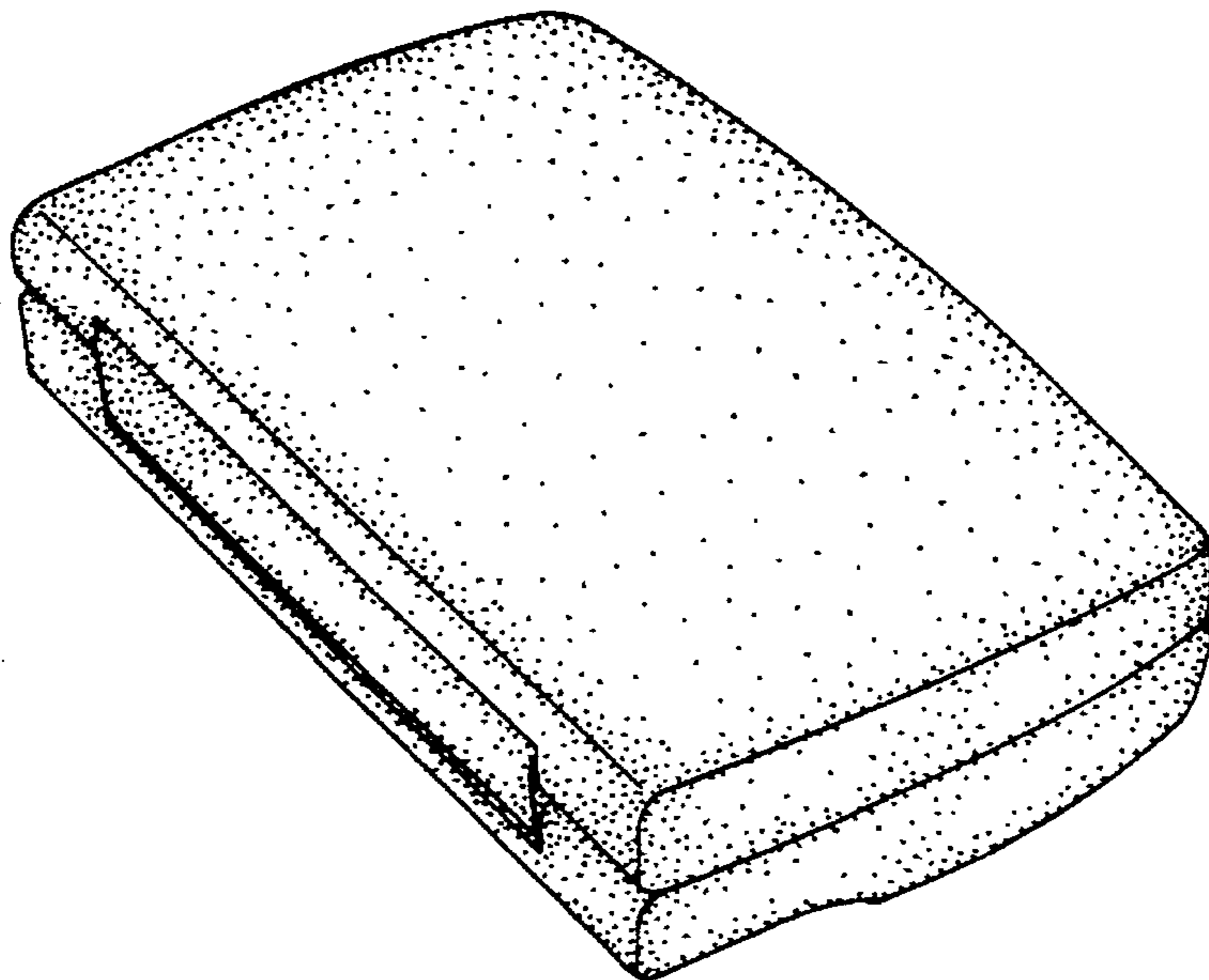
**1 Claim, 7 Drawing Sheets**



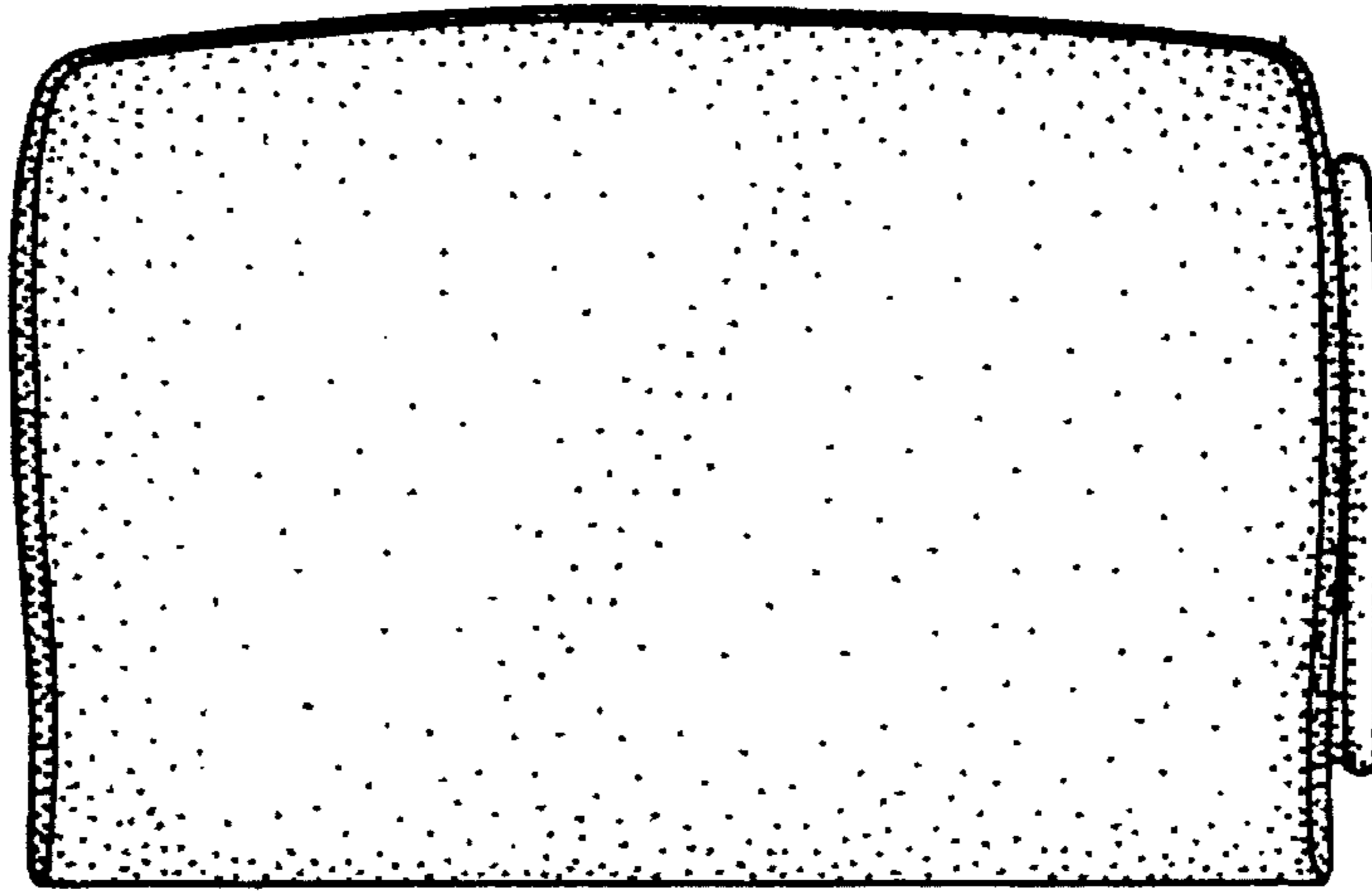
*FIG. 1*



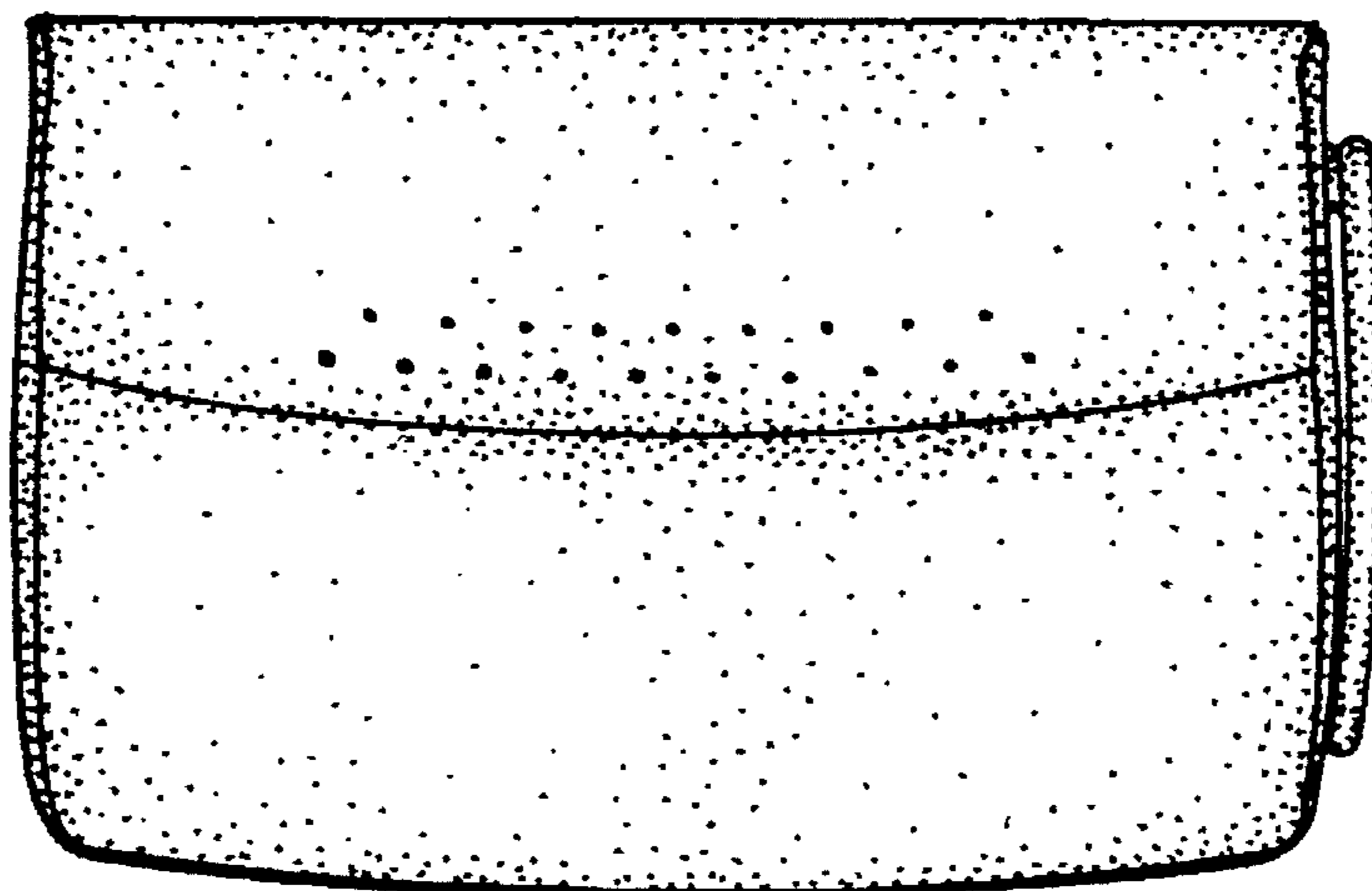
*FIG. 2*



*FIG. 3*

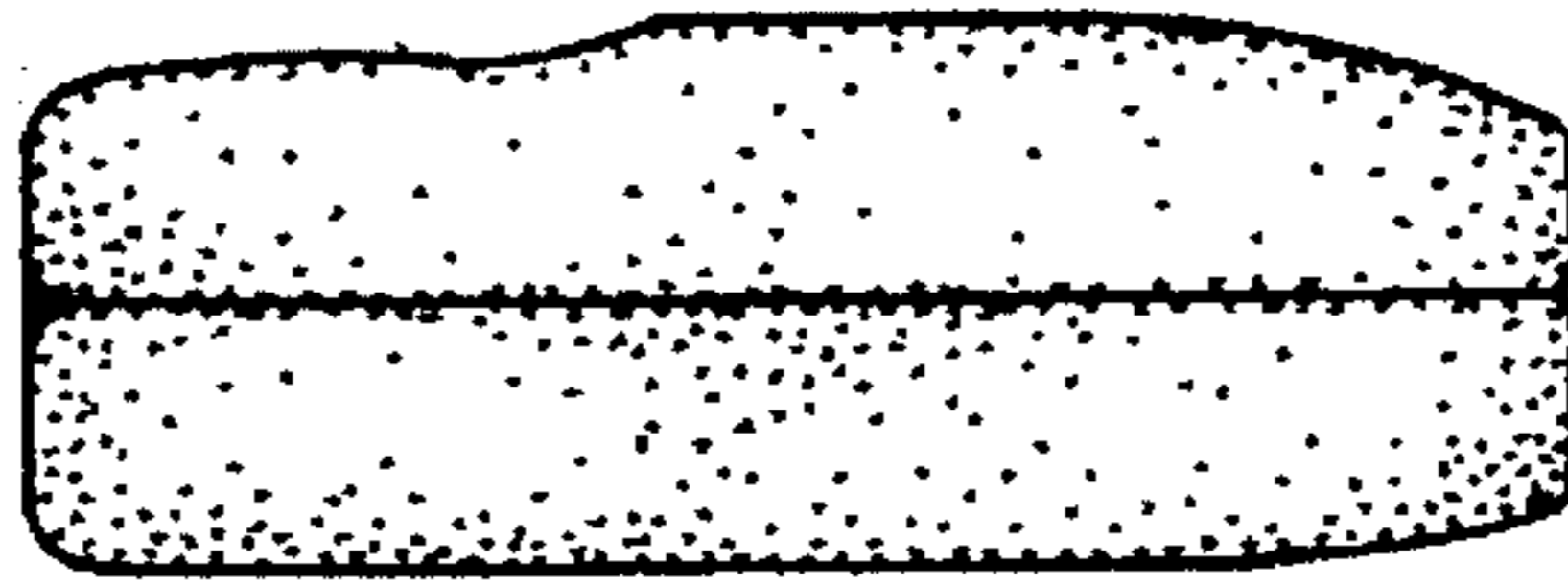


*FIG. 4*





*FIG. 5*



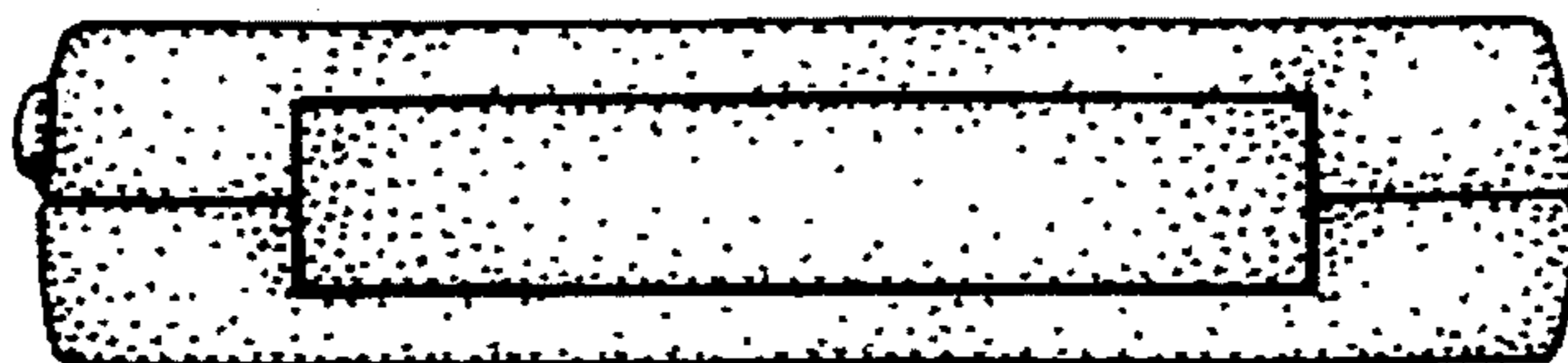
*FIG. 6*



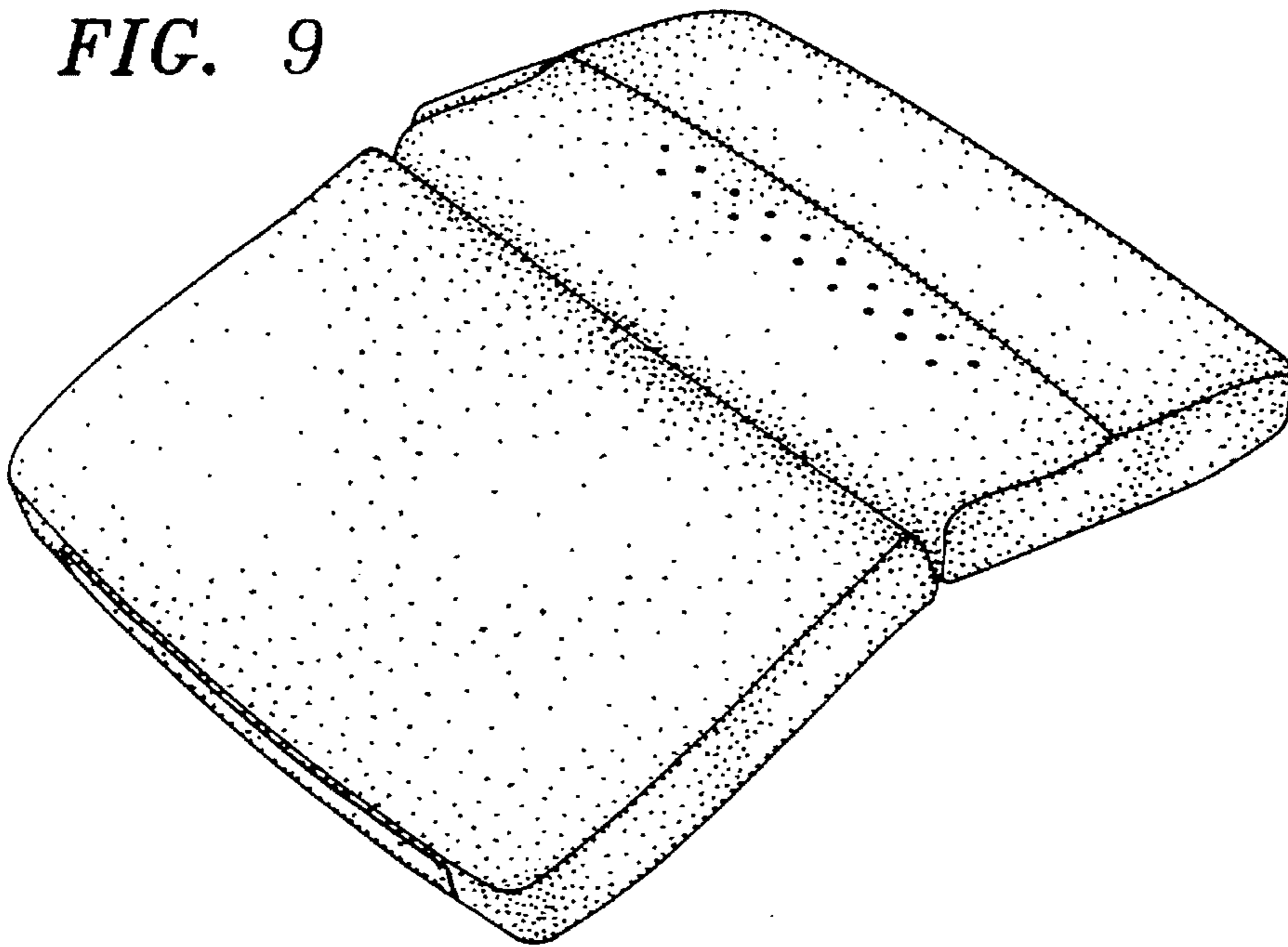
*FIG. 7*



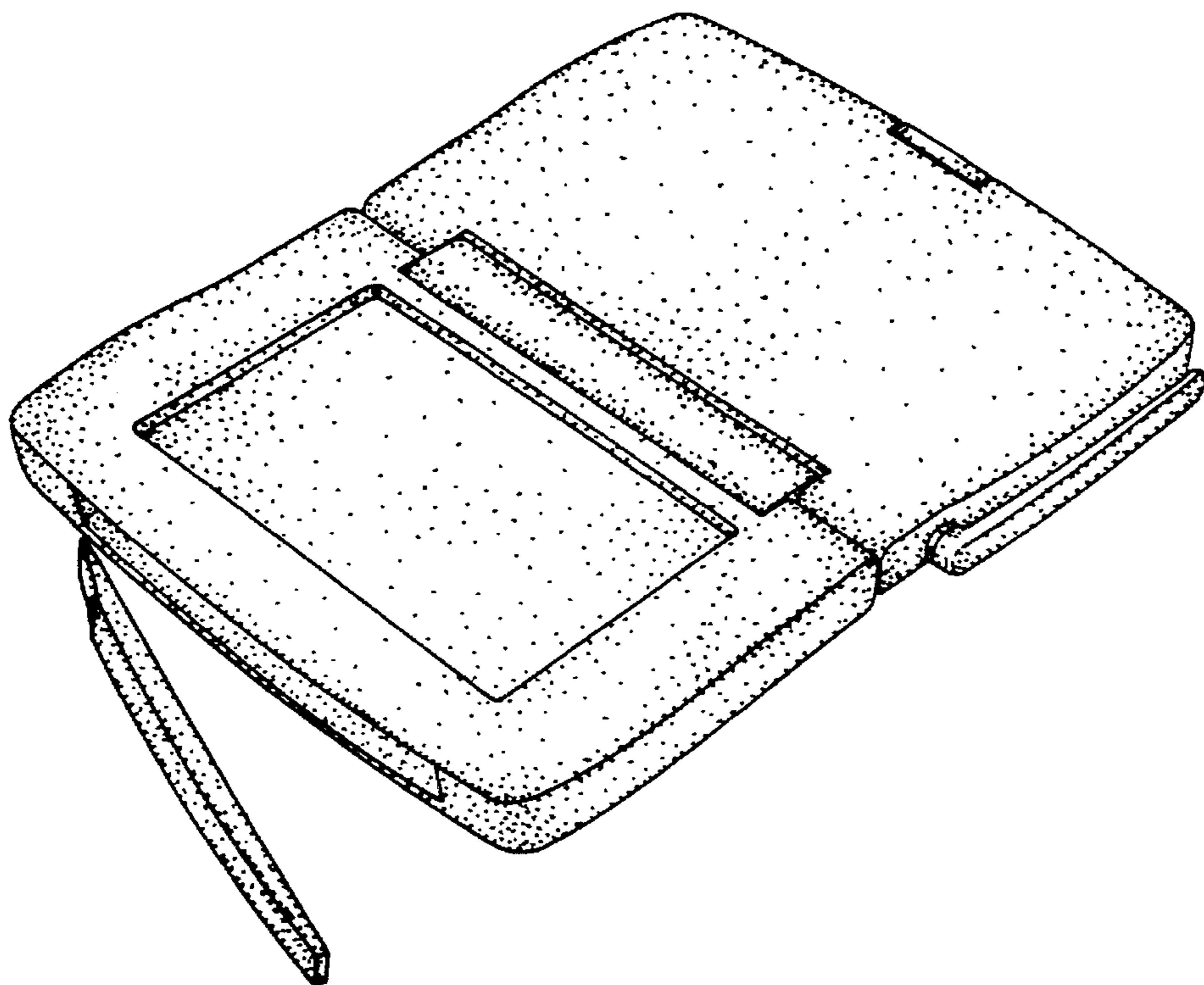
*FIG. 8*



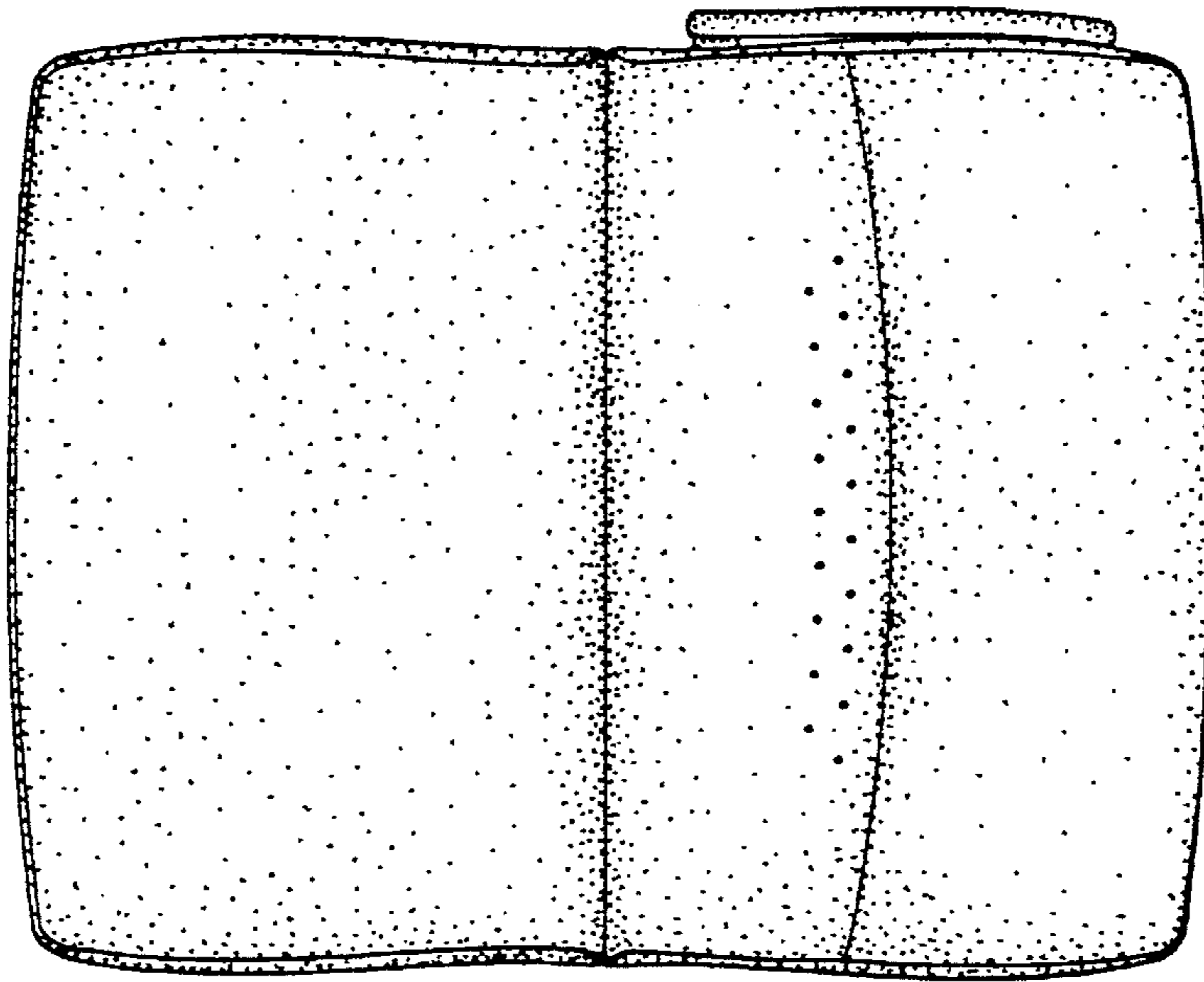
*FIG. 9*



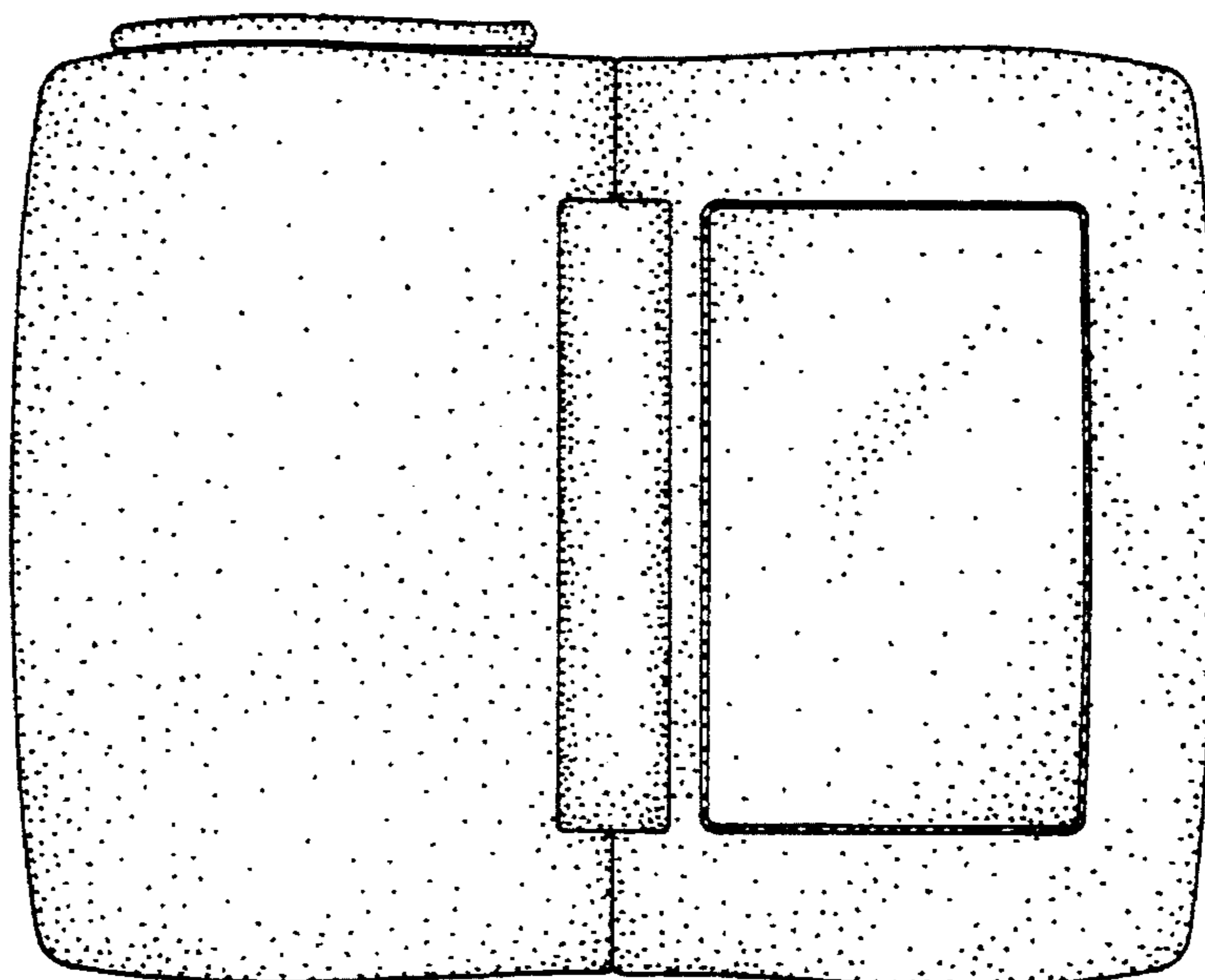
*FIG. 10*



*FIG. 11*



*FIG. 12*



*FIG. 13*



*FIG. 14*



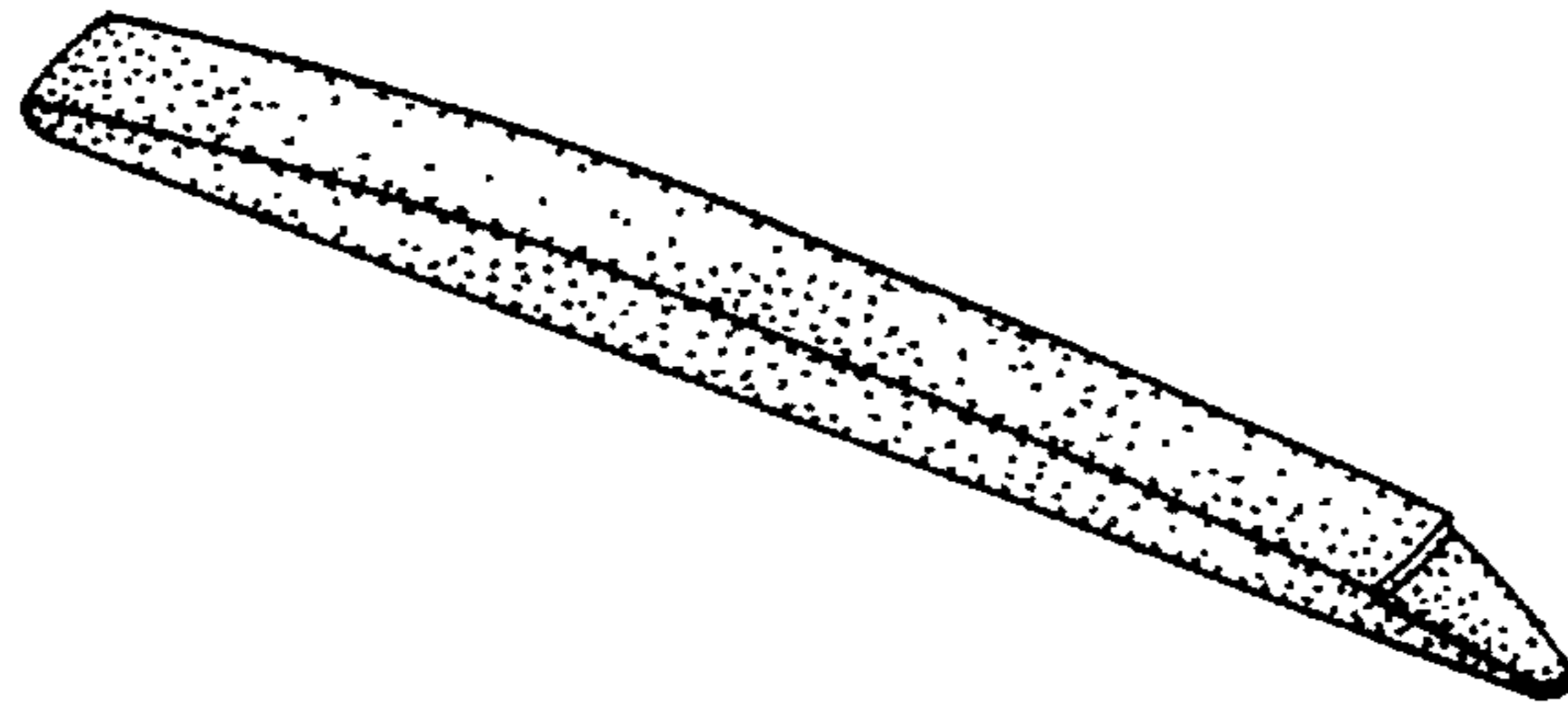
*FIG. 15*



*FIG. 16*



*FIG. 17*



*FIG. 18*



*FIG. 19*



*FIG. 20*

