



US00D370206S

# United States Patent [19]

[11] Patent Number: **Des. 370,206**

Marino et al.

[45] Date of Patent: **\*\*May 28, 1996**

[54] **ELECTRONIC CONTROL PANEL FOR A ROOM AIR CONDITIONER**

[75] Inventors: **Charles M. Marino; Rengaswamy Ramakrishnan**, both of Bexar County, Tex.; **Michael Zambelli; Jonathan Marks**, both of New York, N.Y.

[73] Assignee: **U.S. Natural Resources, Inc.**, San Antonio, Tex.

[\*\*] Term: **14 Years**

[21] Appl. No.: **33,774**

[22] Filed: **Jan. 20, 1995**

[52] U.S. Cl. .... **D13/177; D10/125**

[58] Field of Search ..... **D10/96, 103, 108, D10/125; D13/162, 164, 173, 177; D23/354; 62/157, 160, 180, 176.6, 231; 165/11.1, 12, 26, 27, 30, 43, 28, 97, 127; 236/44 C, 91 D, 94**

[56] **References Cited**

**U.S. PATENT DOCUMENTS**

D. 276,038 10/1984 Montgomery ..... D10/125 X

D. 278,630	4/1985	Endes et al. ....	D13/164 X
D. 288,921	3/1987	Peck .....	D13/177
D. 290,707	7/1987	Allen et al. ....	D13/164 X
D. 296,776	7/1988	Hansen et al. ....	D13/164
D. 306,575	3/1990	Brundisini .....	D13/164
D. 341,354	11/1993	Hotterman .....	D13/164
D. 342,683	12/1993	Cohen .....	D13/164 X
4,685,615	8/1987	Hart .....	165/11.1 X
5,031,412	7/1991	Efron et al. ....	62/231 X
5,209,400	5/1993	Winslow et al. ....	165/11.1 X

Primary Examiner—Antoine Duval Davis  
Attorney, Agent, or Firm—Gunn, Lee & Miller

[57] **CLAIM**

The ornamental design for an electronic control panel for a room air conditioner, as shown.

**DESCRIPTION**

FIG. 1 is a front elevational view of the invention; FIG. 2 is a top elevational view of the invention, the top and bottom views being identical; and, FIG. 3 is a left side elevational view of the invention, the left and right sides being identical. The rear view is not shown as same does not constitute a part of the claimed design.

**1 Claim, 1 Drawing Sheet**

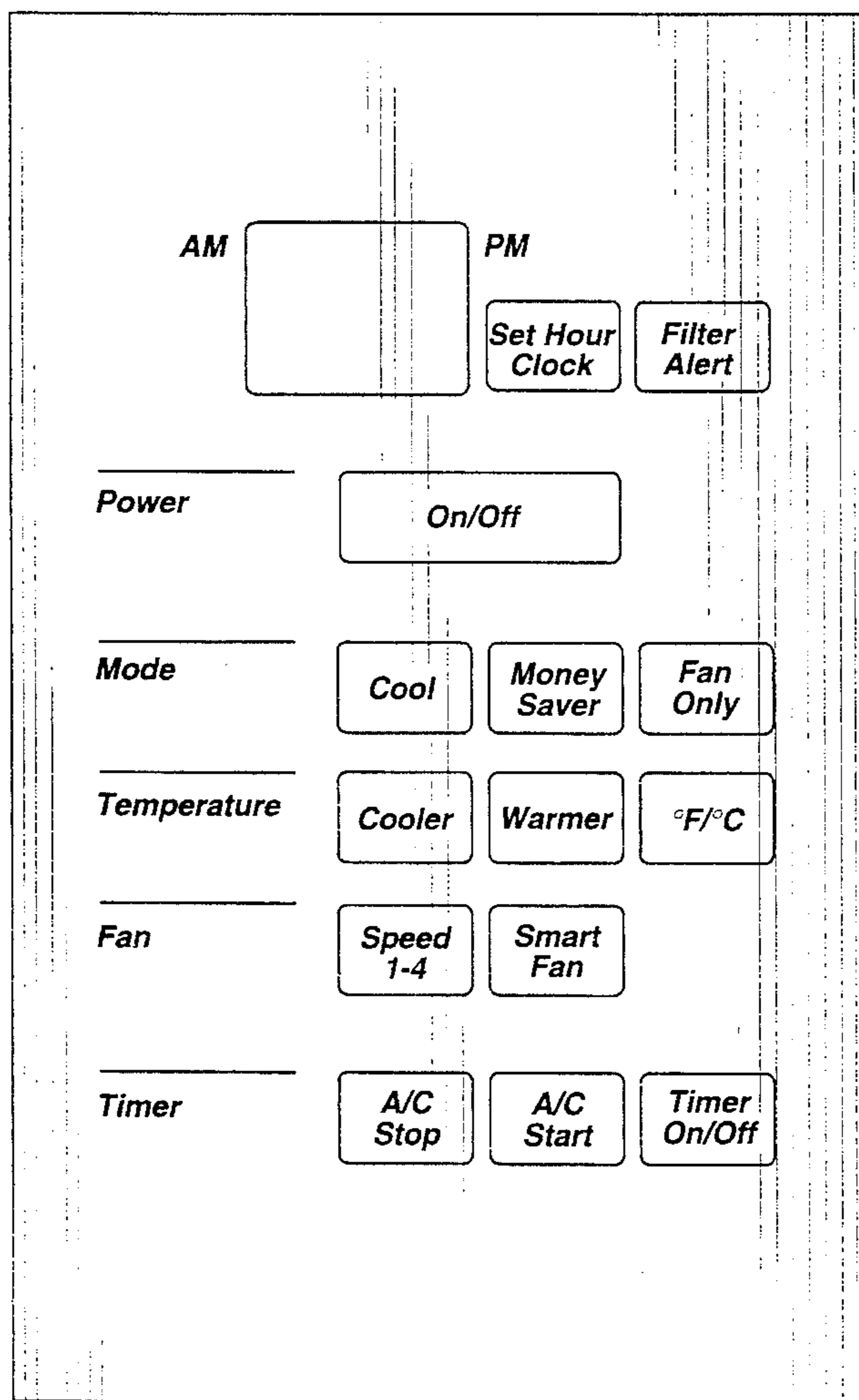


Fig. 2

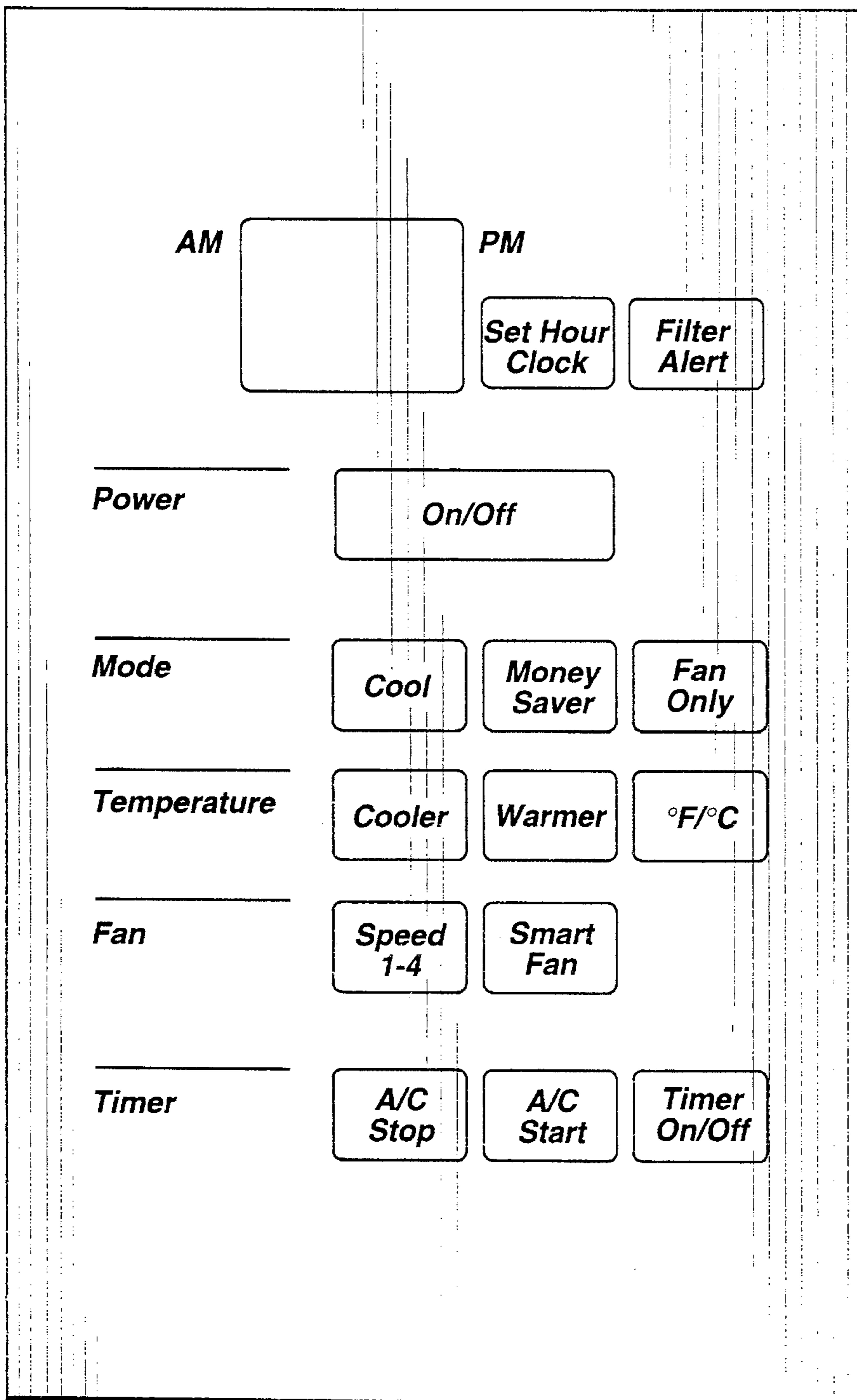


Fig. 1

Fig. 3