



US00D370205S

United States Patent [19]
Collins

[11] **Patent Number: Des. 370,205**

[45] **Date of Patent: **May 28, 1996**

[54] **ELECTRIC CORD RETAINING GUARD**

[76] Inventor: **Kenneth D. Collins**, 17904 McCracken Rd., Maple Hts., Ohio 44137

[**] Term: **14 Years**

[21] Appl. No.: **37,769**

[22] Filed: **Apr. 20, 1995**

[52] **U.S. Cl.** **D13/155; D25/121**

[58] **Field of Search** **D13/155, 156; D25/121; 174/48, 68.3, 136; 439/527**

[56] **References Cited**

U.S. PATENT DOCUMENTS

D. 289,634	5/1987	Bramwell	D13/155
D. 314,757	2/1991	Gecchelin	D13/155
3,862,523	1/1975	Eaton	174/48 X
4,776,809	10/1988	Hall	439/527 X

Primary Examiner—Joel Sincavage
Attorney, Agent, or Firm—Harold H. Dutton, Jr.; Diane F. Liebman; W. Charles Jamison

[57] **CLAIM**

The ornamental design for a electric cord retaining guard, as shown and described.

DESCRIPTION

FIG. 1 is a perspective view of an electric cord retaining guard showing my new design; FIG. 2 is a left end view thereof; FIG. 3 is a right side view of an electric cord retaining guard showing a second embodiment of my new design. The second embodiment is the same as the first except for the indeterminate length indicated by the symbolic break; FIG. 4 is a top view thereof; and, FIG. 5 is a bottom view thereof.

1 Claim, 3 Drawing Sheets

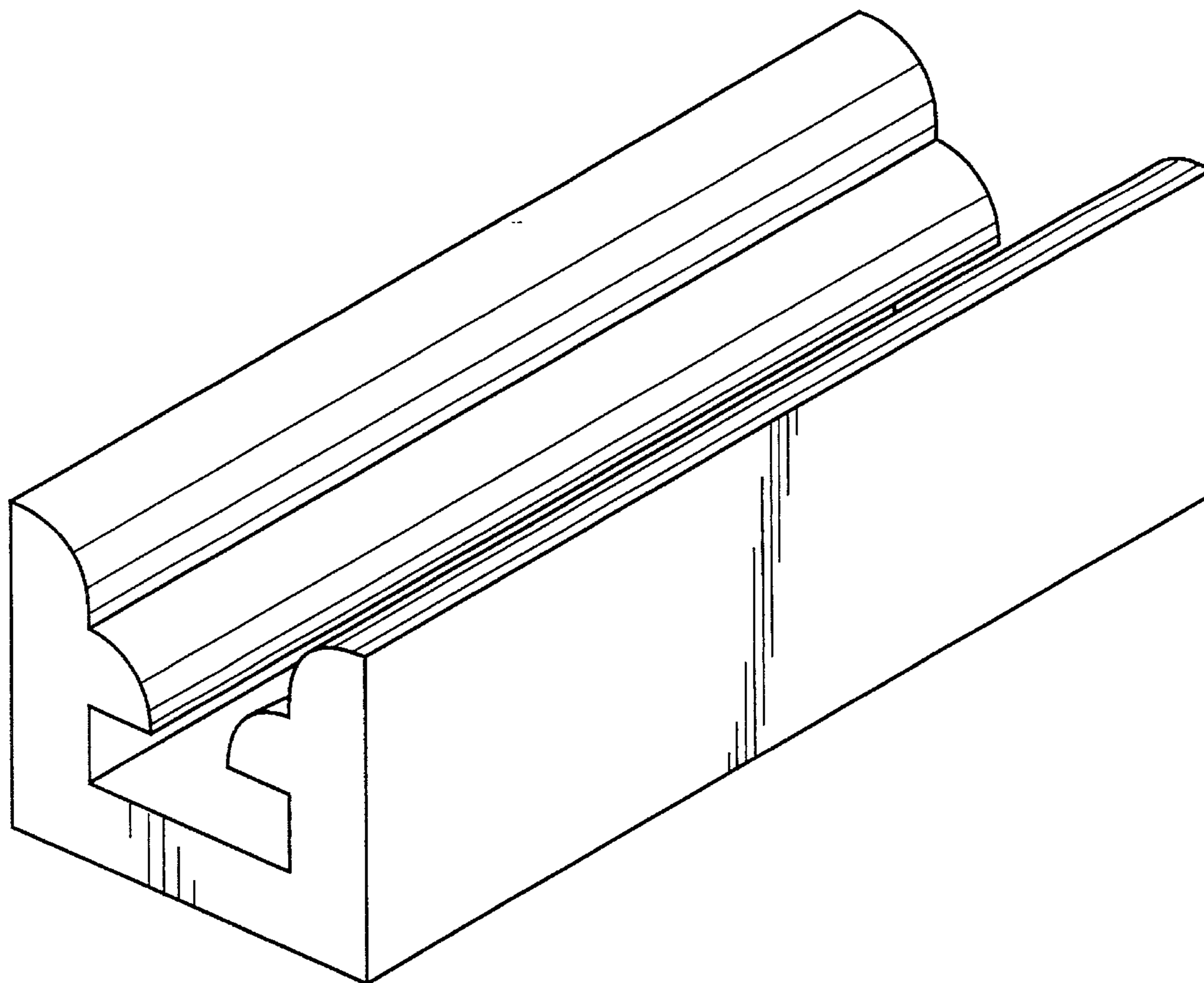
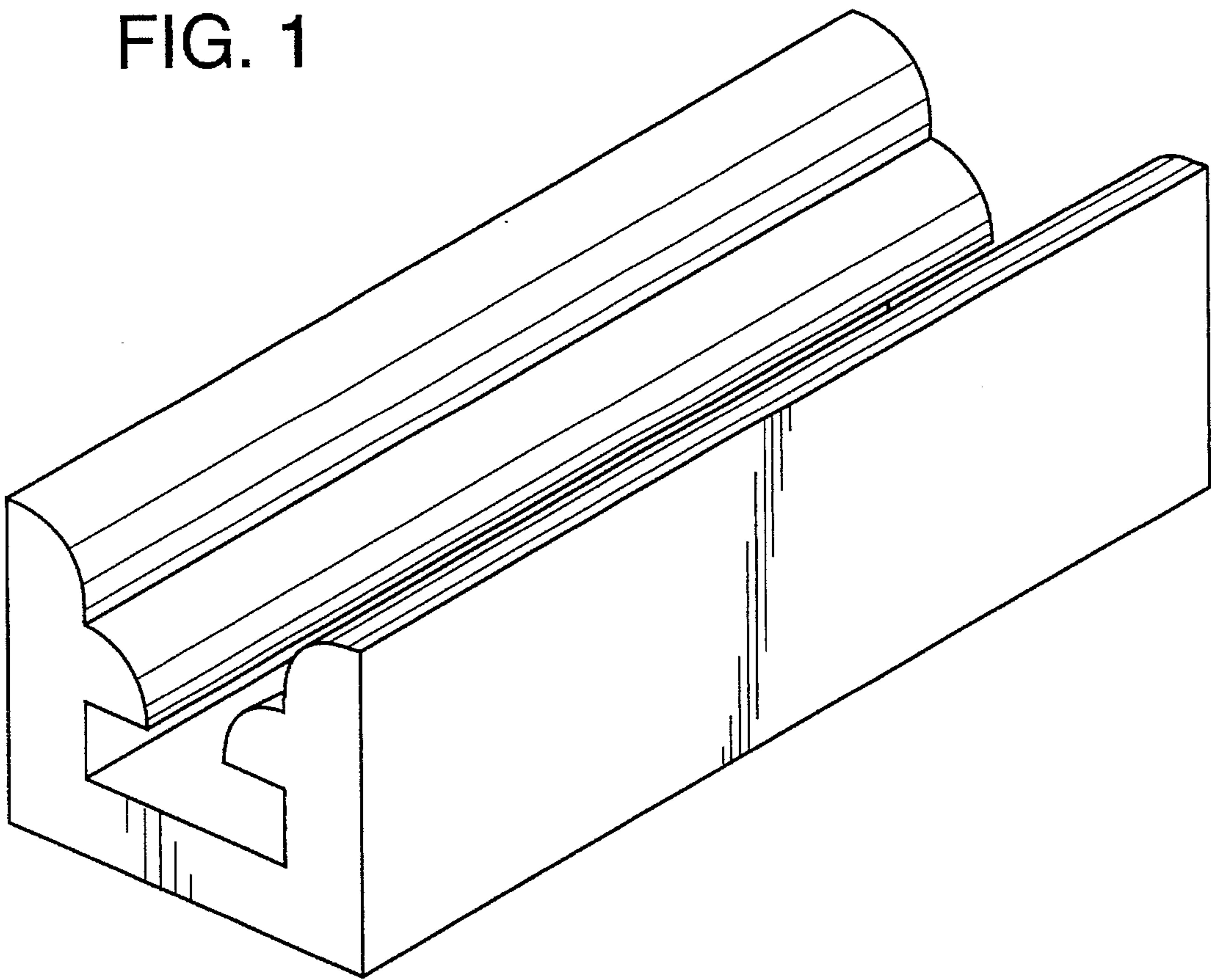


FIG. 1



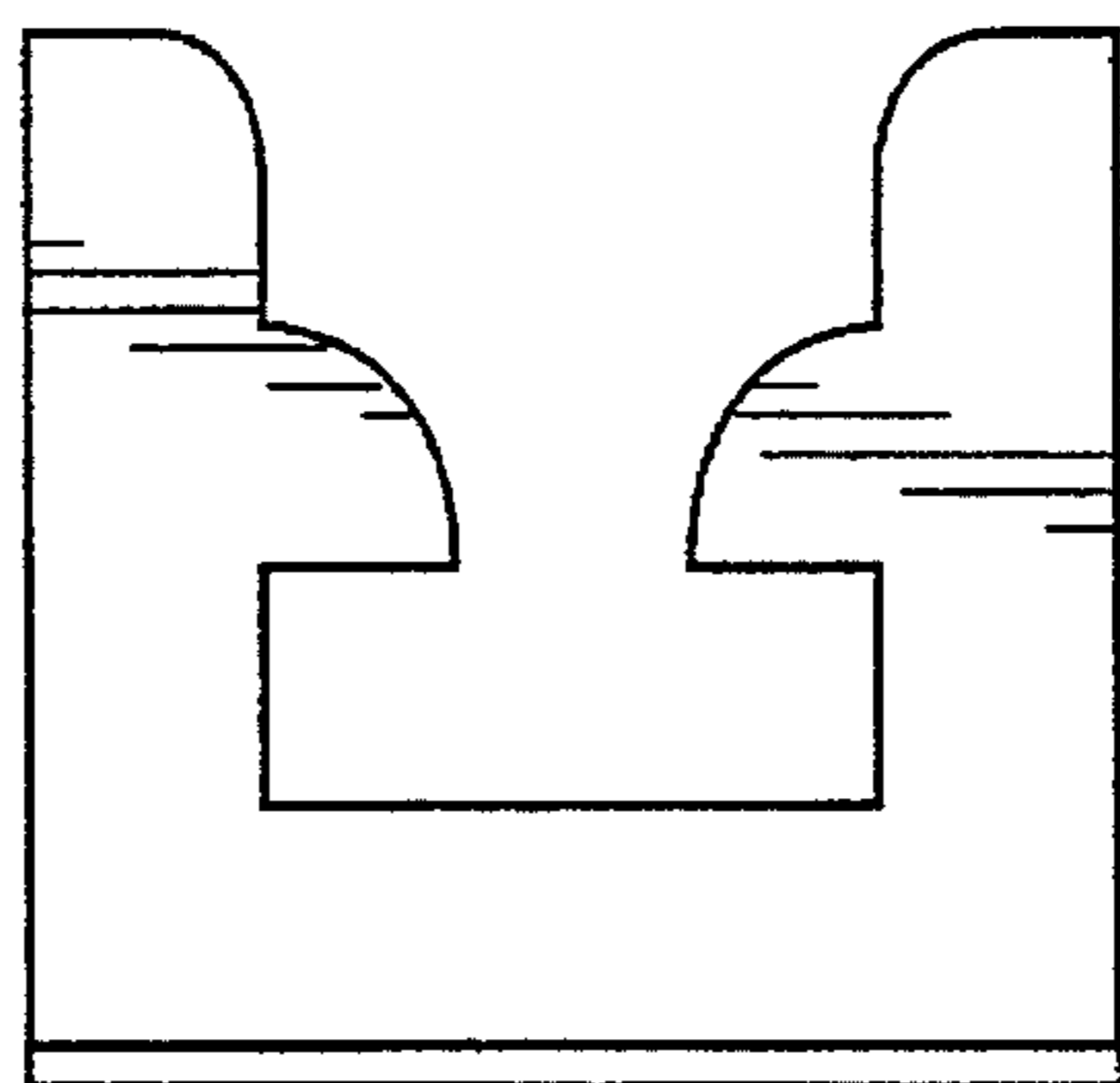


FIG. 2

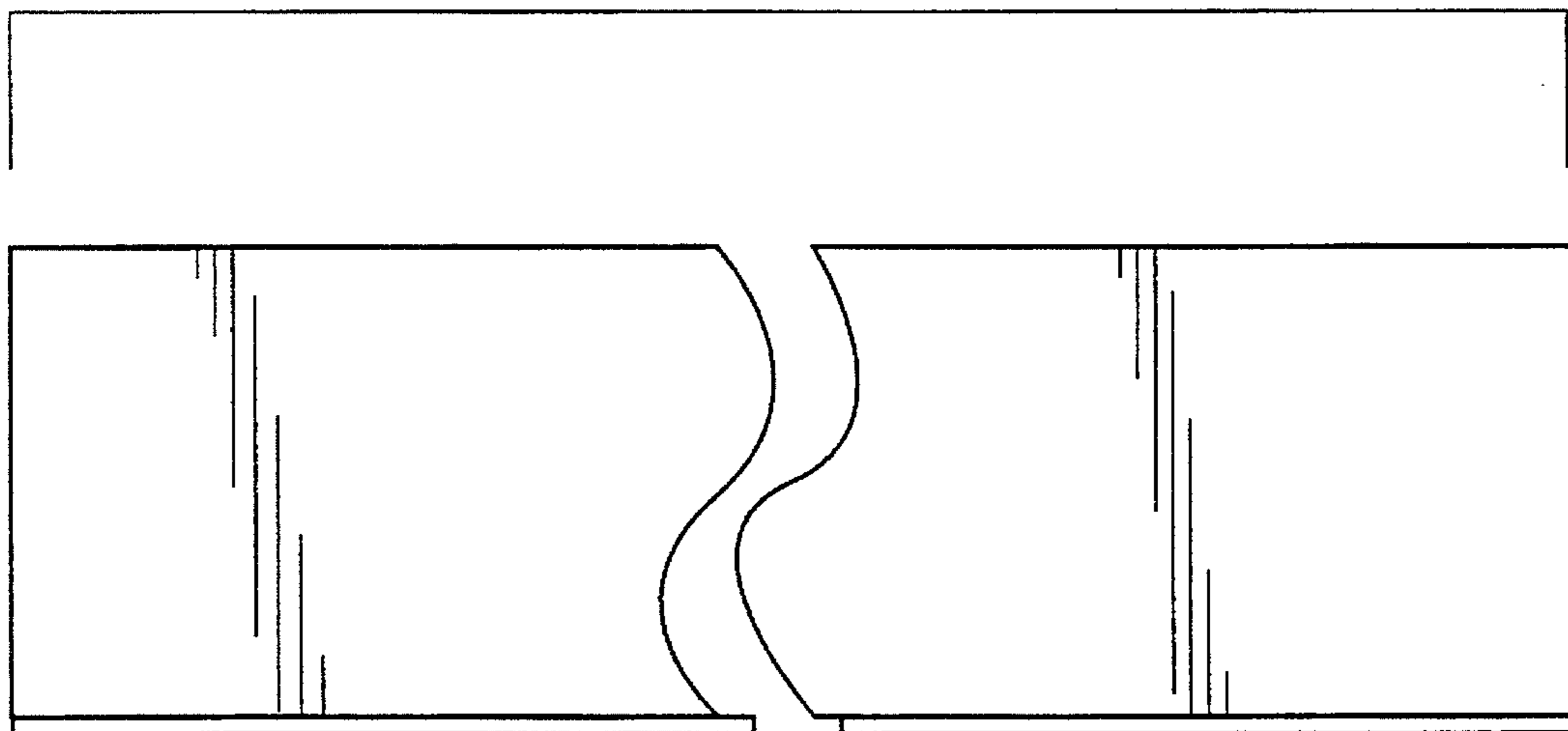


FIG. 3

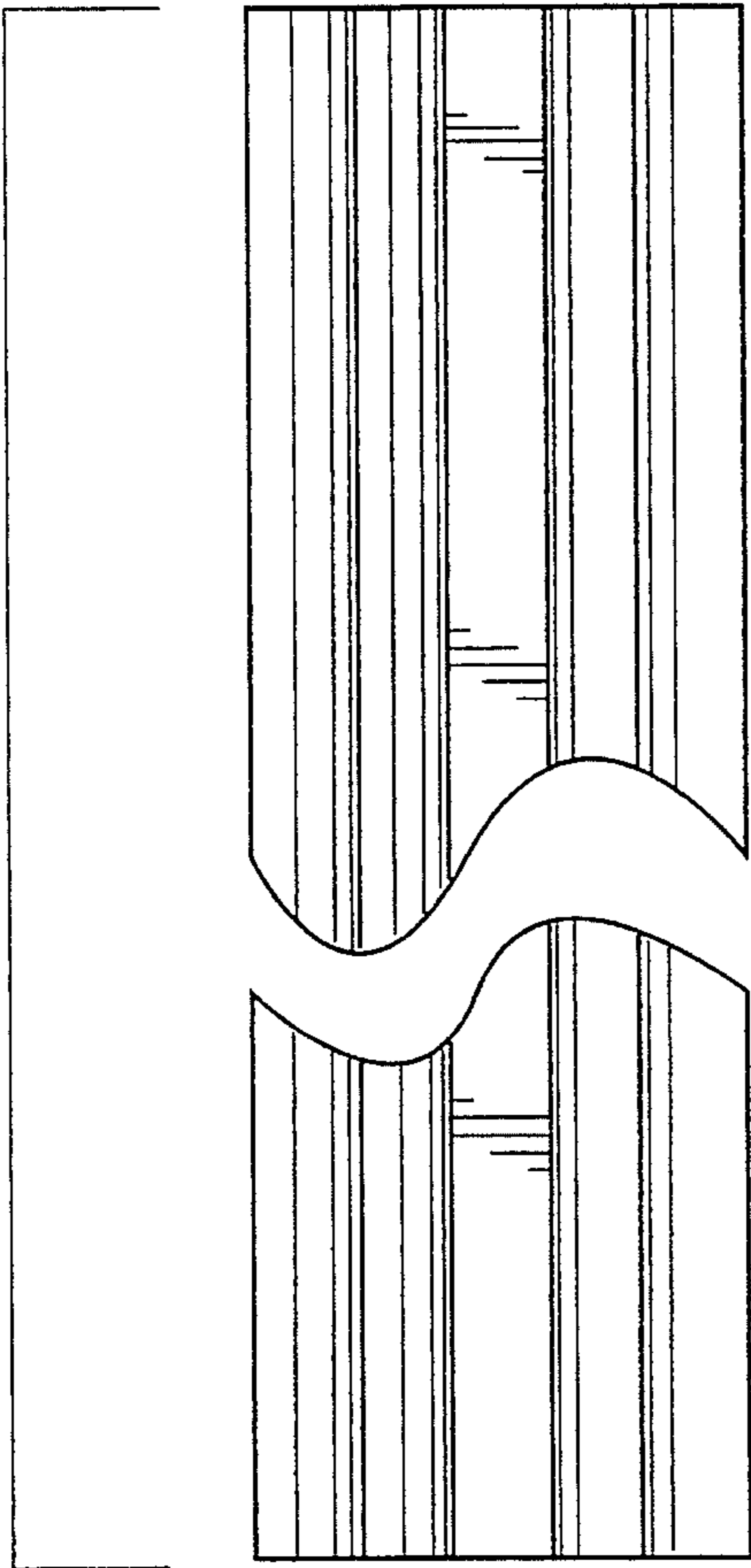


FIG. 4

FIG. 5

