



US00D370204S

**United States Patent** [19]  
**Kittridge**

[11] **Patent Number: Des. 370,204**

[45] **Date of Patent: \*\*May 28, 1996**

[54] **PLUG ADAPTER**

[76] Inventor: **John Kittridge**, 2070 Crain, Waterford, Mich. 48329

[\*\*] Term: **14 Years**

[21] Appl. No.: **17,244**

[22] Filed: **Jan. 10, 1994**

[52] U.S. Cl. .... **D13/146**

[58] Field of Search ..... **D13/146, 147;**  
439/34, 35, 178, 358, 503, 689

[56] **References Cited**

**U.S. PATENT DOCUMENTS**

D. 328,281	7/1992	Nociar .....	D13/146
D. 335,122	4/1993	Hughes .....	D13/146
3,887,256	6/1975	Klimek et al. ....	439/142
4,061,407	12/1977	Snow .....	439/35
4,770,644	9/1988	Feder .....	439/35 X
4,781,393	11/1988	Jeter .....	439/35 X
4,842,524	6/1989	Hopkins et al. ....	439/35
5,080,594	1/1992	Swinford .....	439/35
5,354,204	10/1994	Hugues .....	439/35

*Primary Examiner*—Joel Sincavage  
*Attorney, Agent, or Firm*—Gifford, Krass, Groh, Sprinkle, Patmore, Anderson & Citkowski

[57] **CLAIM**

The ornamental design for a plug adapter, as shown and described.

**DESCRIPTION**

FIG. 1 is a perspective view of a plug adapter showing my new design;

FIG. 2 is a first end elevational view hereof;

FIG. 3 is a first front elevational view hereof;

FIG. 4 is a first side elevational view hereof;

FIG. 5 is a second front elevational view as seen from the side opposite that of FIG. 3;

FIG. 6 is a second side elevational view as seen from the side opposite that of FIG. 4;

FIG. 7 is a second end elevational view as seen from the end opposite that of FIG. 2;

FIG. 8 is a perspective view of a second embodiment of the plug adapter hereof;

FIG. 9 is a first end elevational view of the second embodiment hereof;

FIG. 10 is a first front elevational view of the second embodiment hereof;

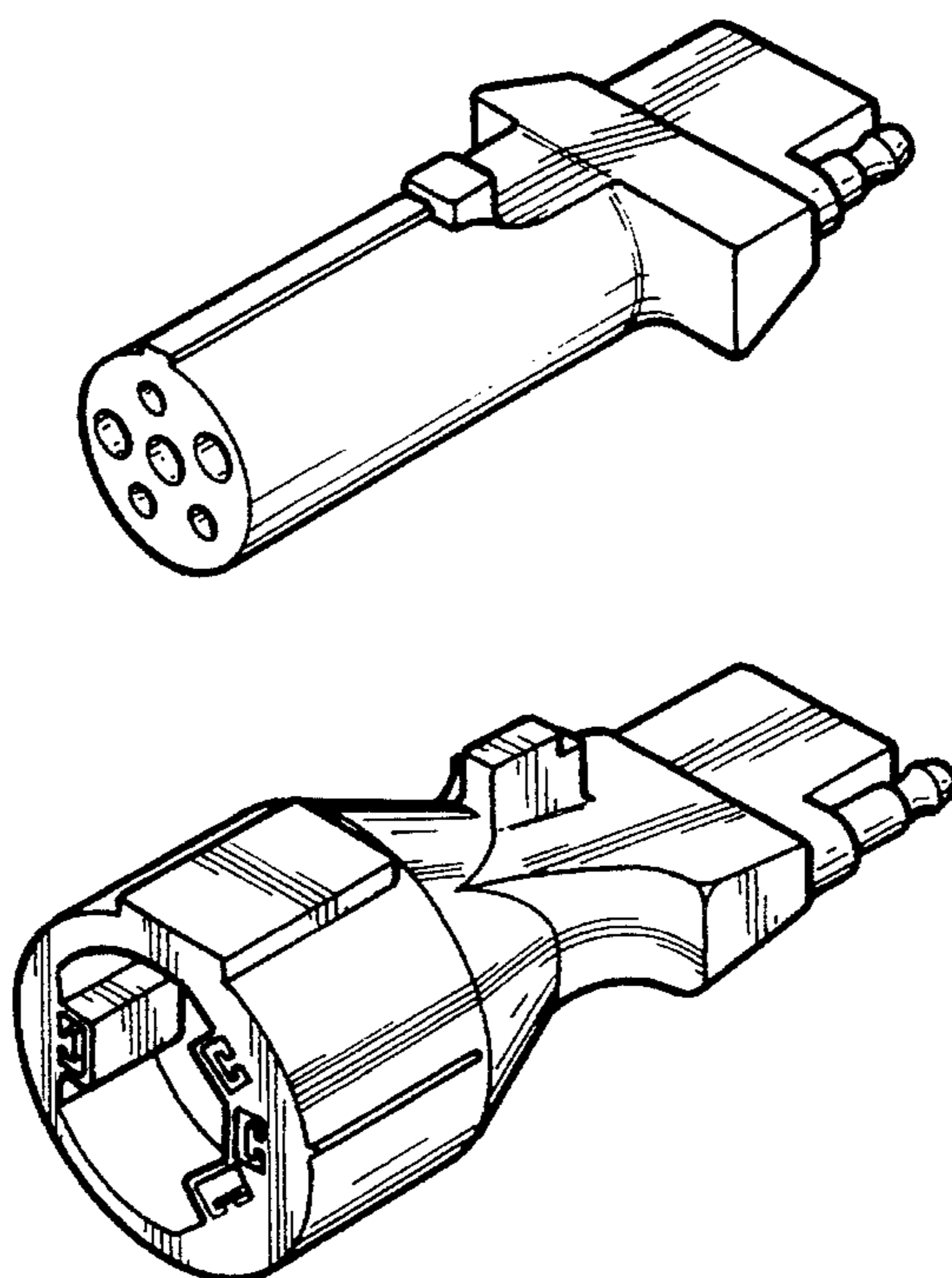
FIG. 11 is a first side elevation view of the second embodiment hereof;

FIG. 12 is a second front elevational view as seen from the side opposite that of FIG. 10 of the second embodiment hereof;

FIG. 13 is a second side elevational view as seen from the side opposite that of FIG. 11 of the second embodiment hereof; and,

FIG. 14 is a second end elevational view as seen from the end opposite that of FIG. 9 of the second embodiment hereof.

**1 Claim, 2 Drawing Sheets**



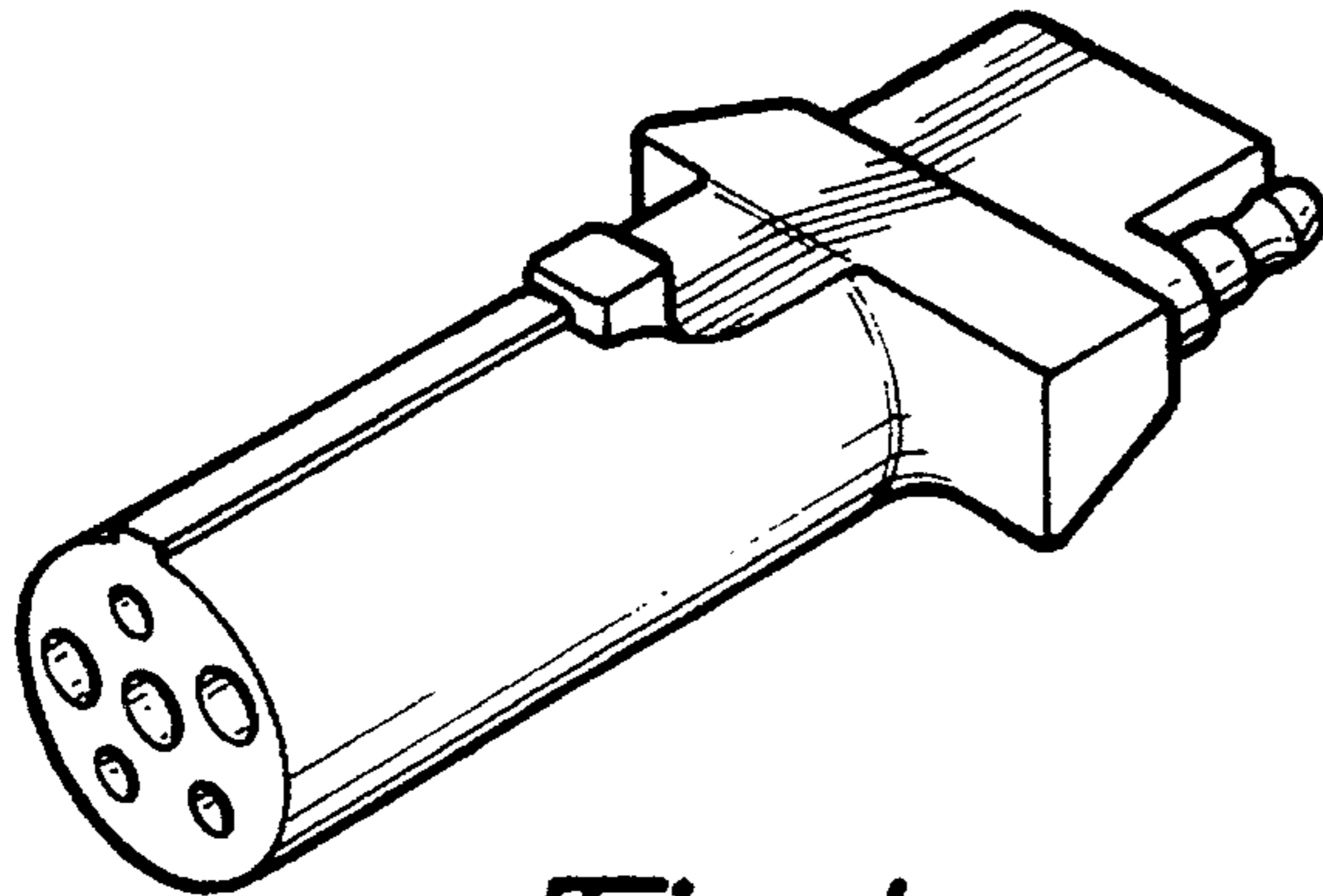


Fig-1

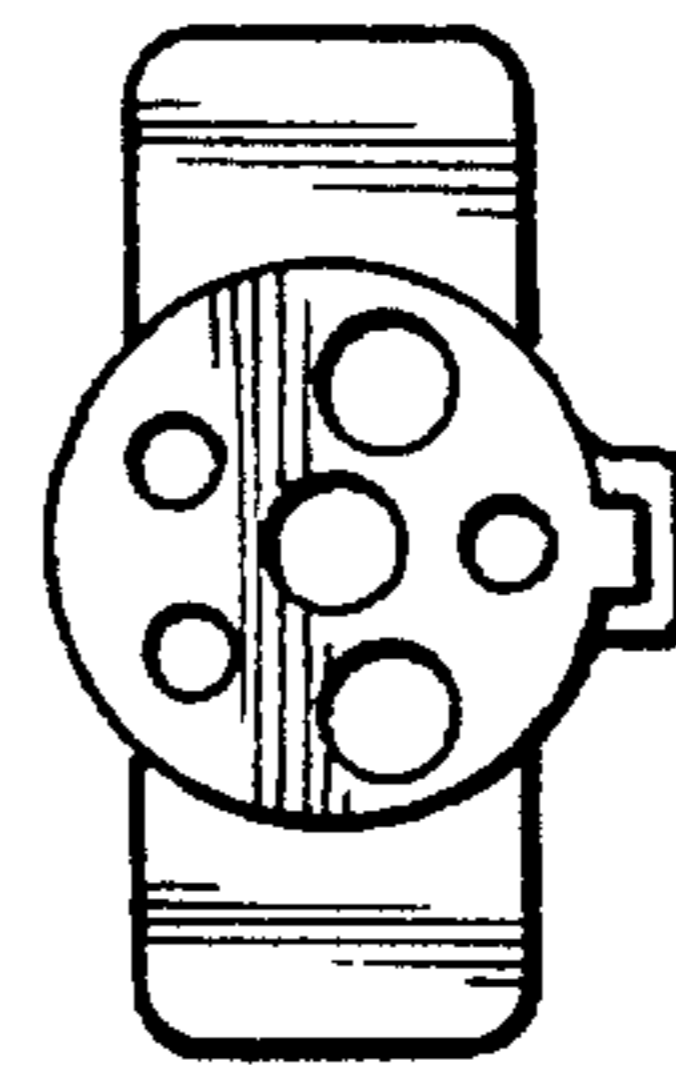


Fig-2

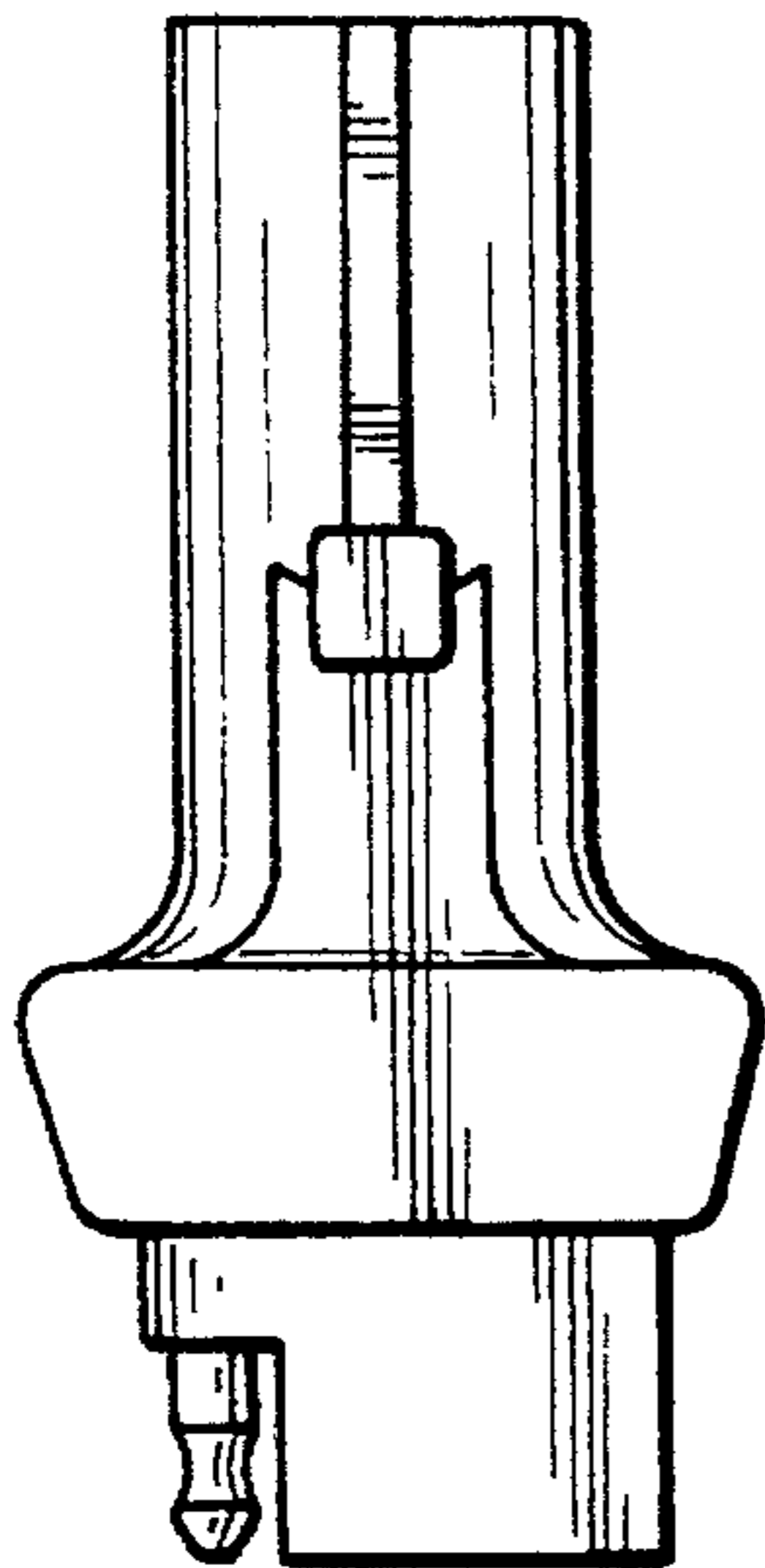


Fig-3

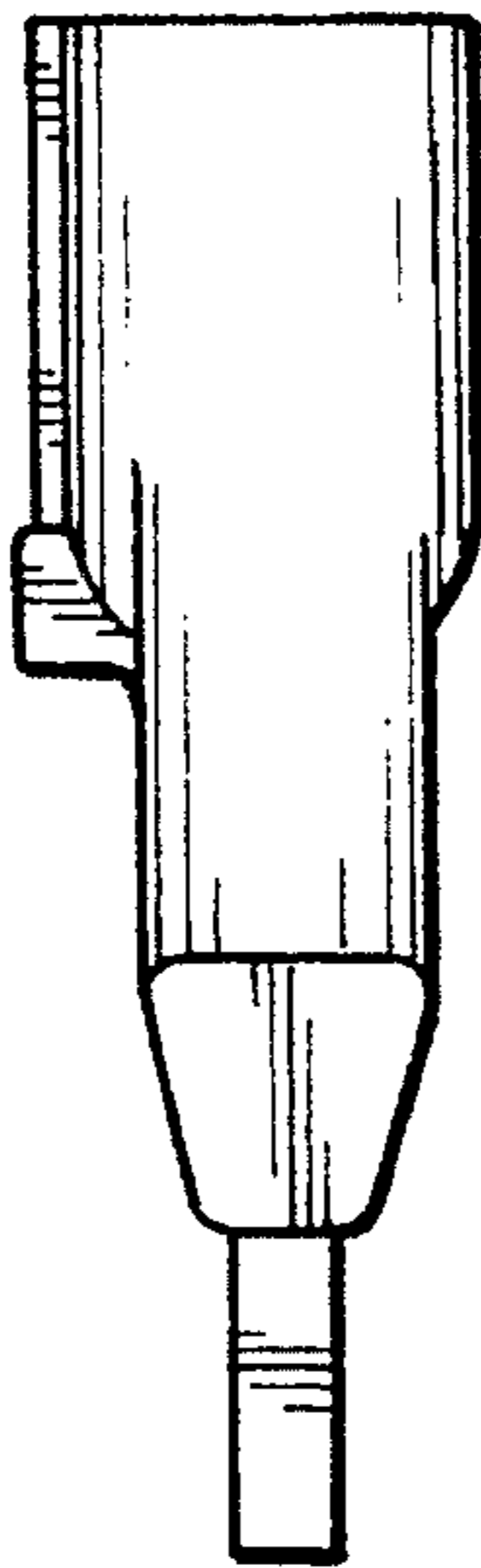


Fig-4

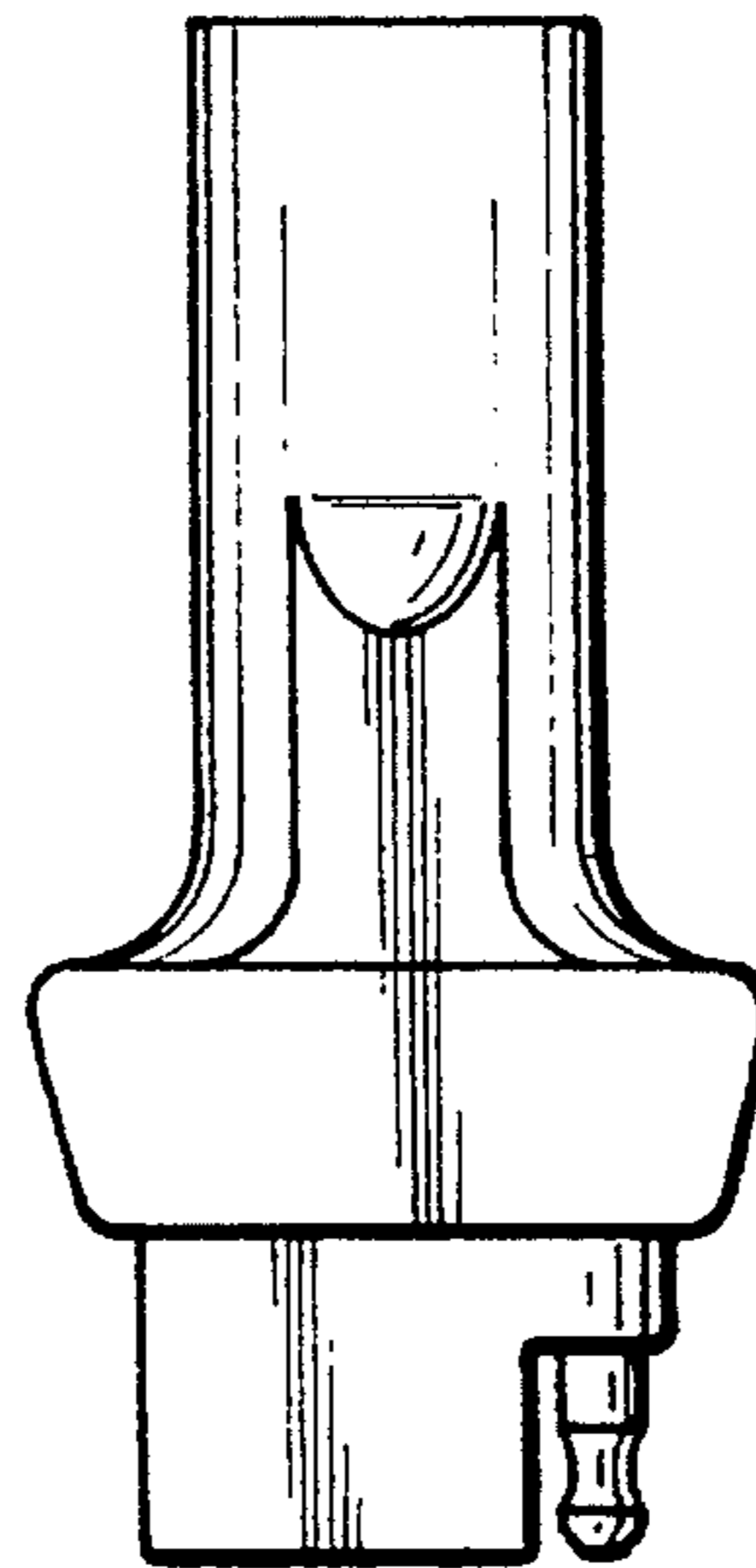


Fig-5

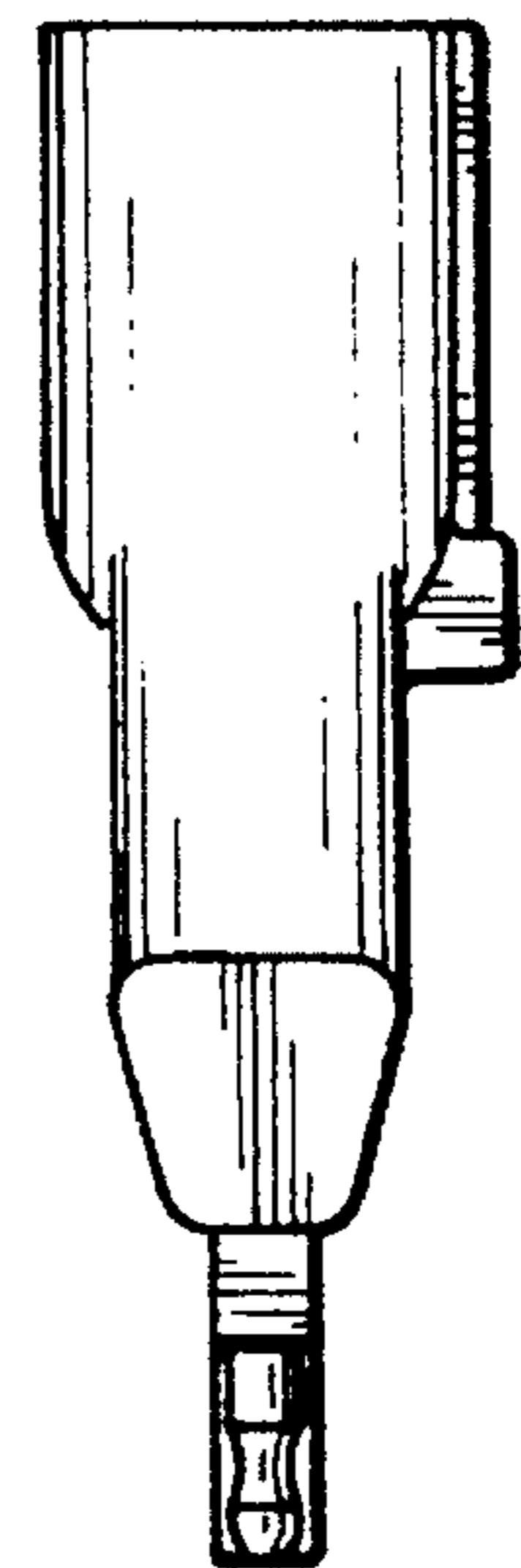


Fig-6

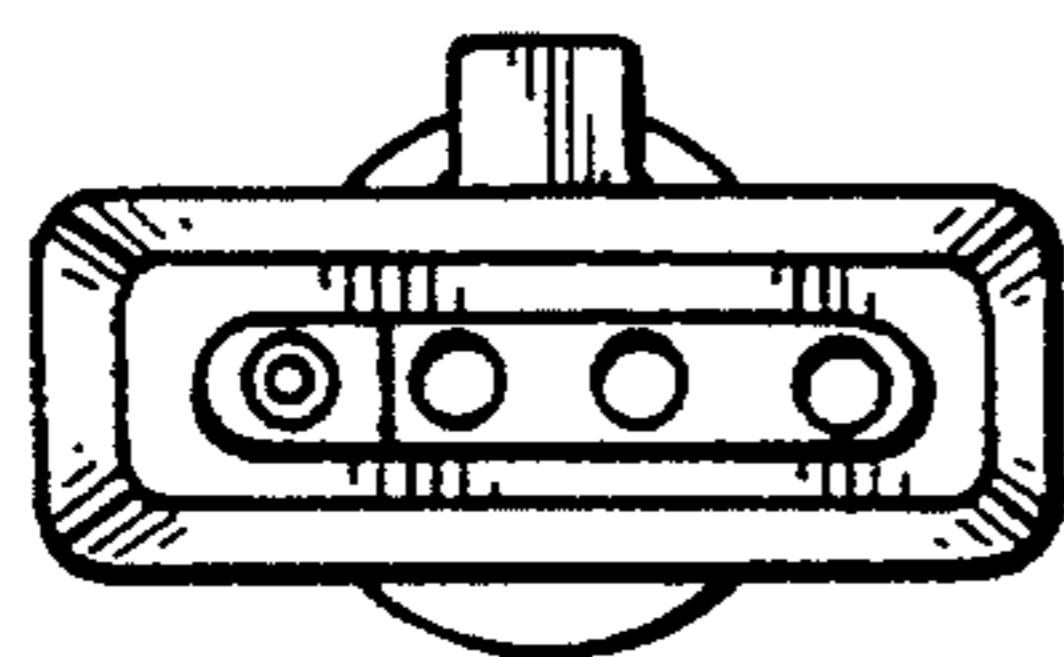


Fig-7

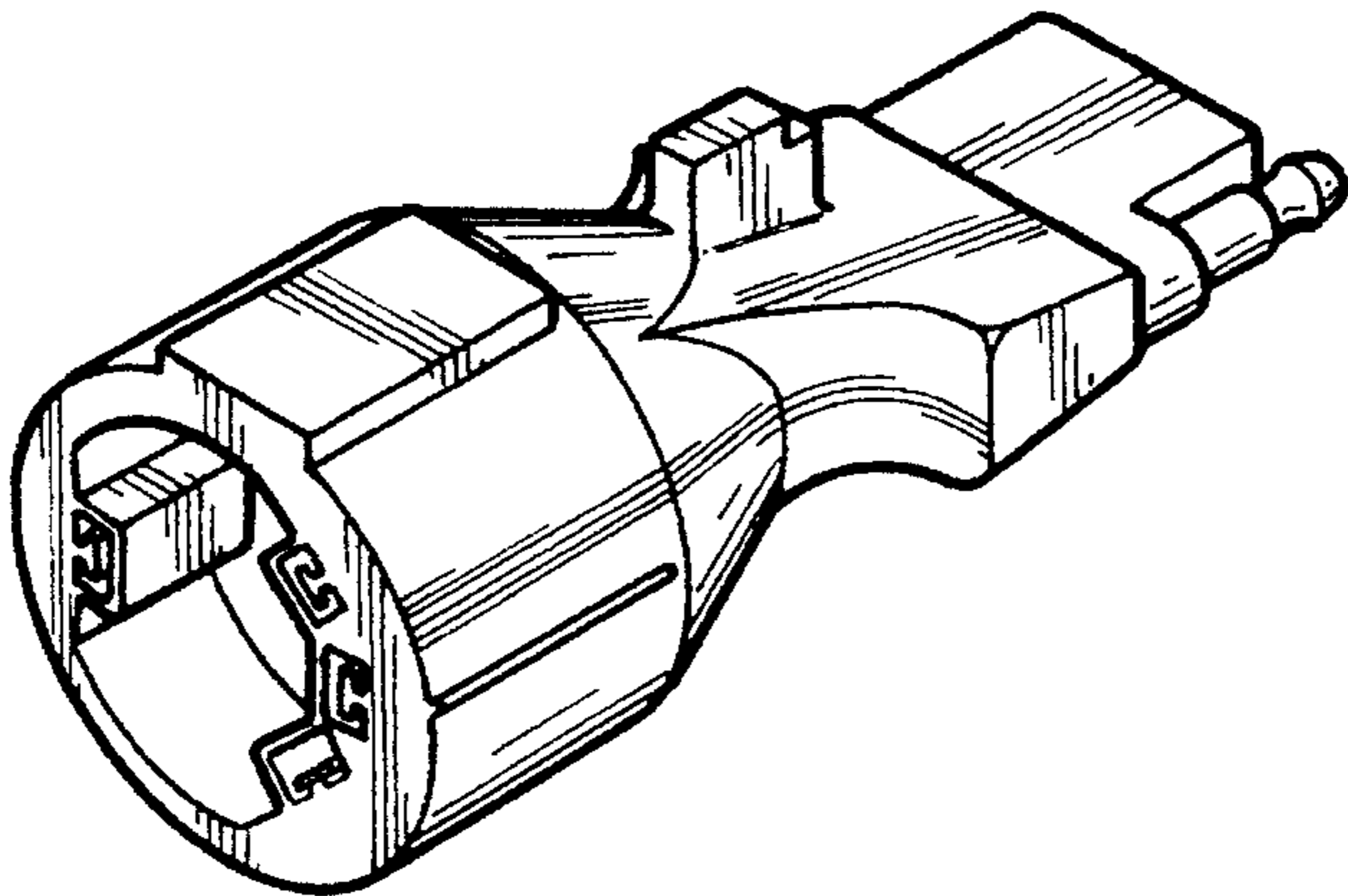


Fig-8

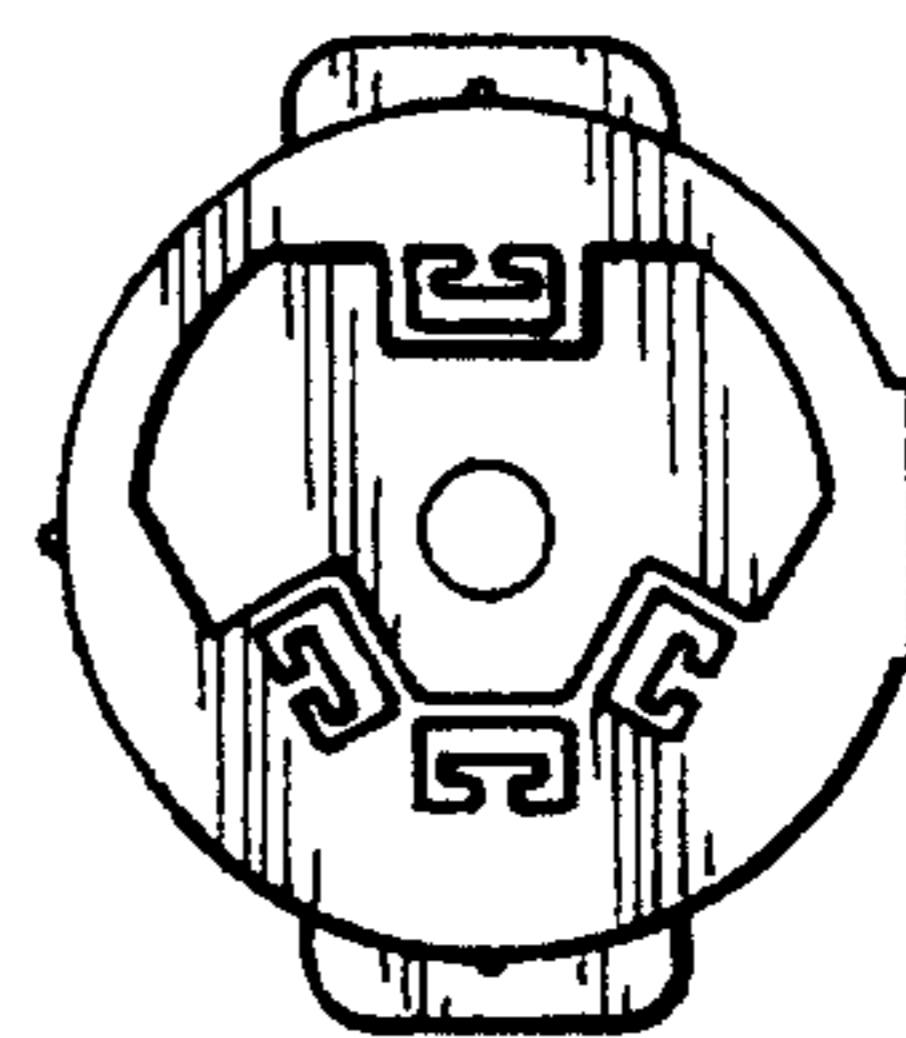


Fig-9

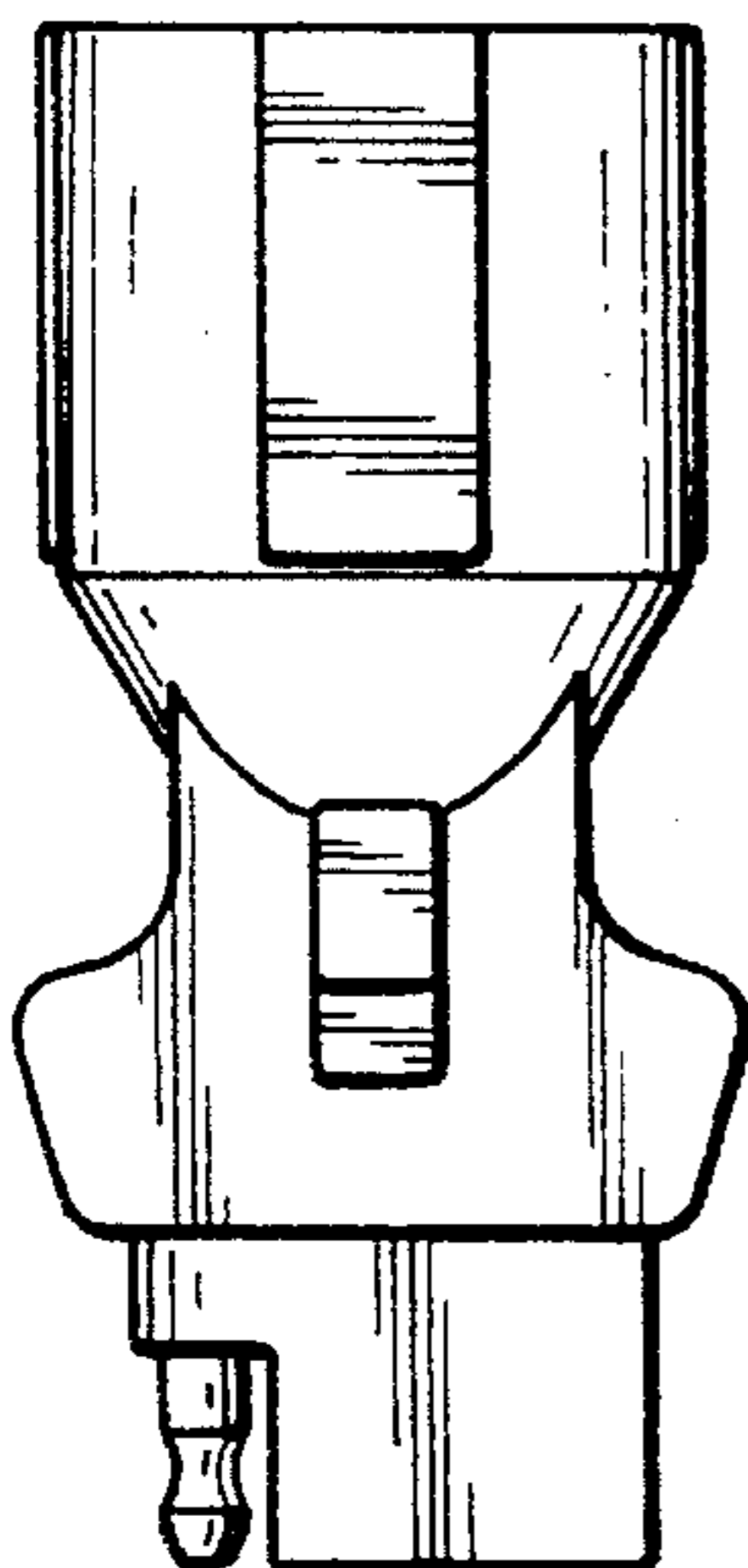


Fig-10

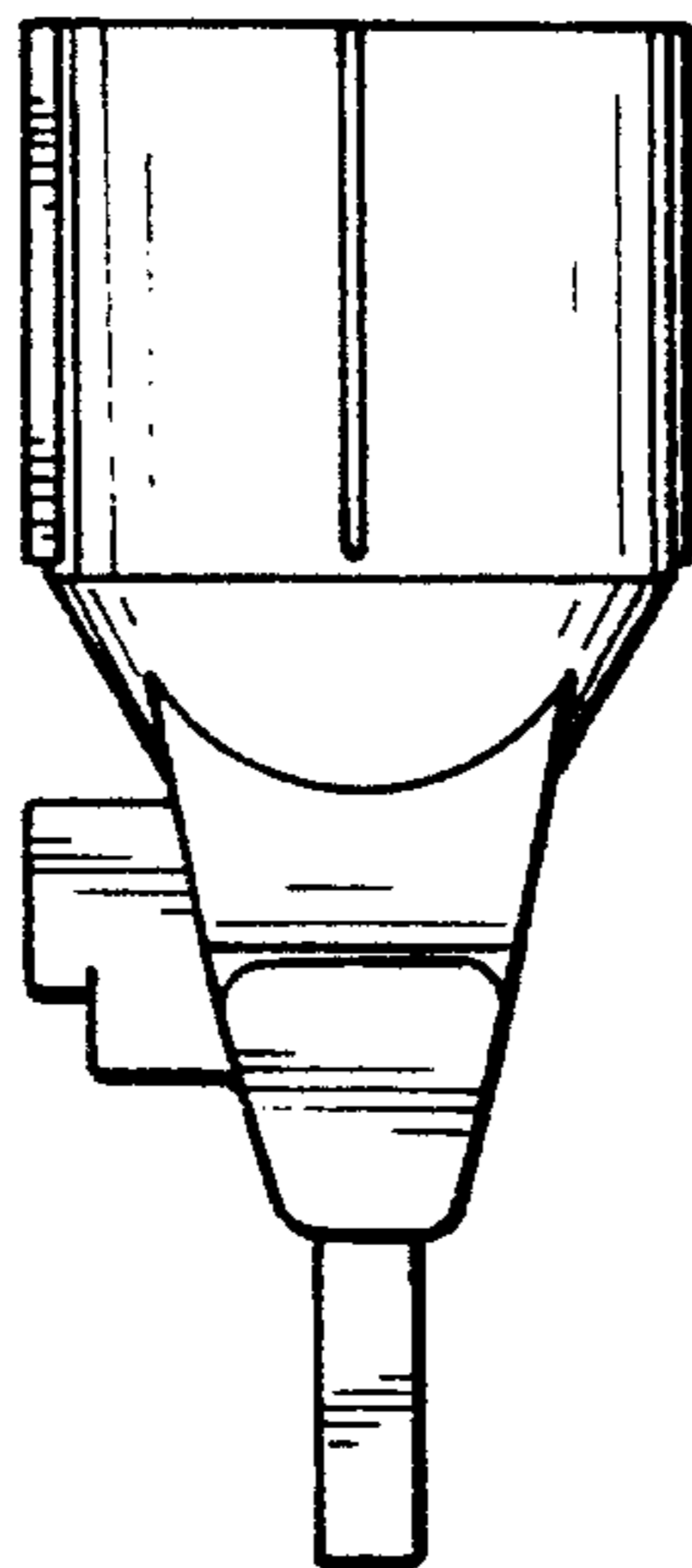


Fig-11

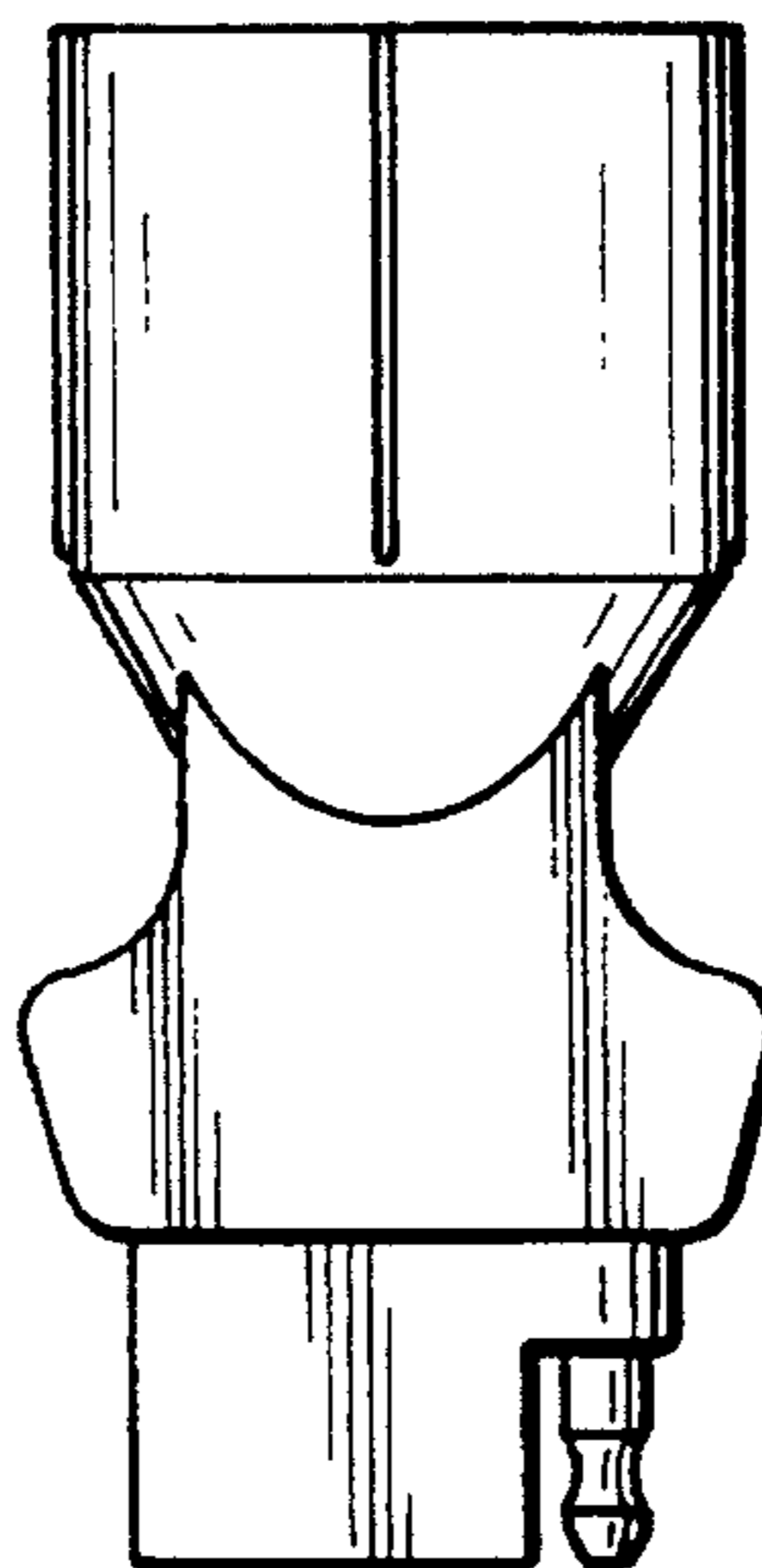


Fig-12

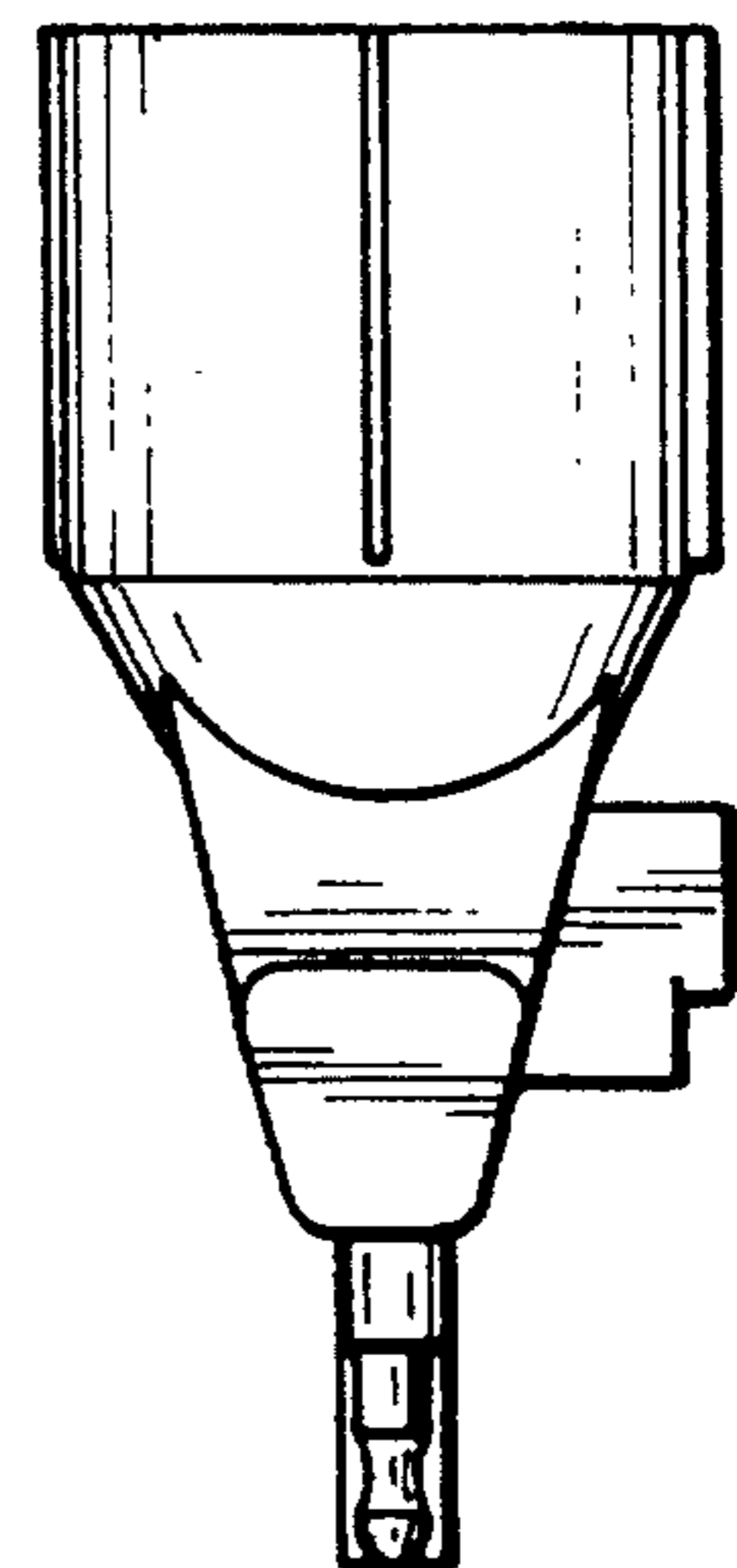


Fig-13

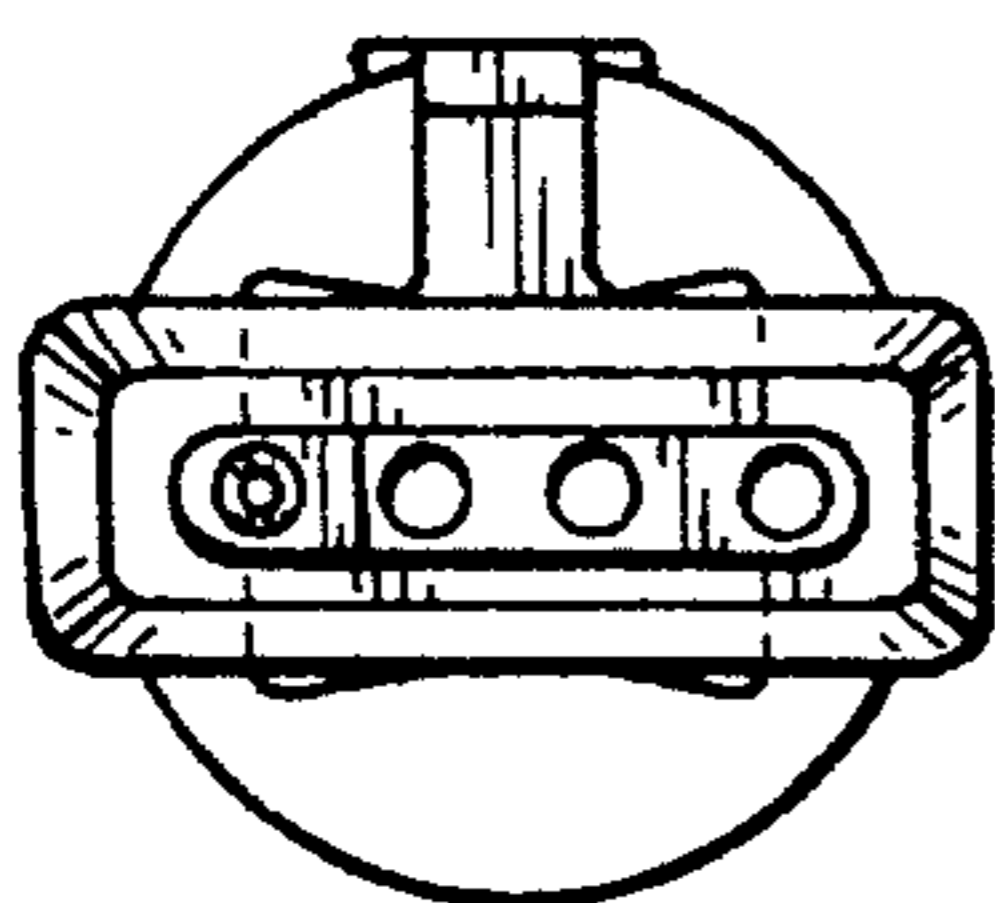


Fig-14