



US00D370203S

United States Patent [19]
Hedrick

[11] **Patent Number: Des. 370,203**

[45] **Date of Patent: **May 28, 1996**

[54] **ELECTRICAL PLUG BODY**

[75] Inventor: **Paul A. Hedrick**, West Greenwich, R.I.

[73] Assignee: **General Cable Industries, Inc.**,
Highland Heights, Ky.

[**] Term: **14 Years**

[21] Appl. No.: **11,744**

[22] Filed: **Aug. 13, 1993**

[52] U.S. Cl. **D13/138**

[58] Field of Search D13/137, 138,
D13/139, 141, 143; 439/483, 484, 449,
474, 606, 692, 694

[56] **References Cited**

U.S. PATENT DOCUMENTS

D. 94,143	12/1934	Hill	D13/139
D. 287,123	12/1986	Ross et al.	D13/141
D. 301,712	6/1989	Israel	D13/133
D. 330,009	10/1992	Dickie	D13/143 X
2,027,447	1/1936	Percy	439/694
3,034,083	5/1962	Traher	439/107 X

Primary Examiner—Joel Sincavage
Attorney, Agent, or Firm—Frost & Jacobs

[57] **CLAIM**

The ornamental design for an electrical plug body, as shown and described.

DESCRIPTION

FIG. 1 is a perspective view of the instant electrical plug body. The broken line showing of a pair of electrical plug blades is included for the purpose of illustrating environmental structure only and forms no part of the claimed design;

FIG. 2 is a front view thereof;

FIG. 3 is a rear view thereof;

FIG. 4 is a bottom view thereof;

FIG. 5 is a top view thereof;

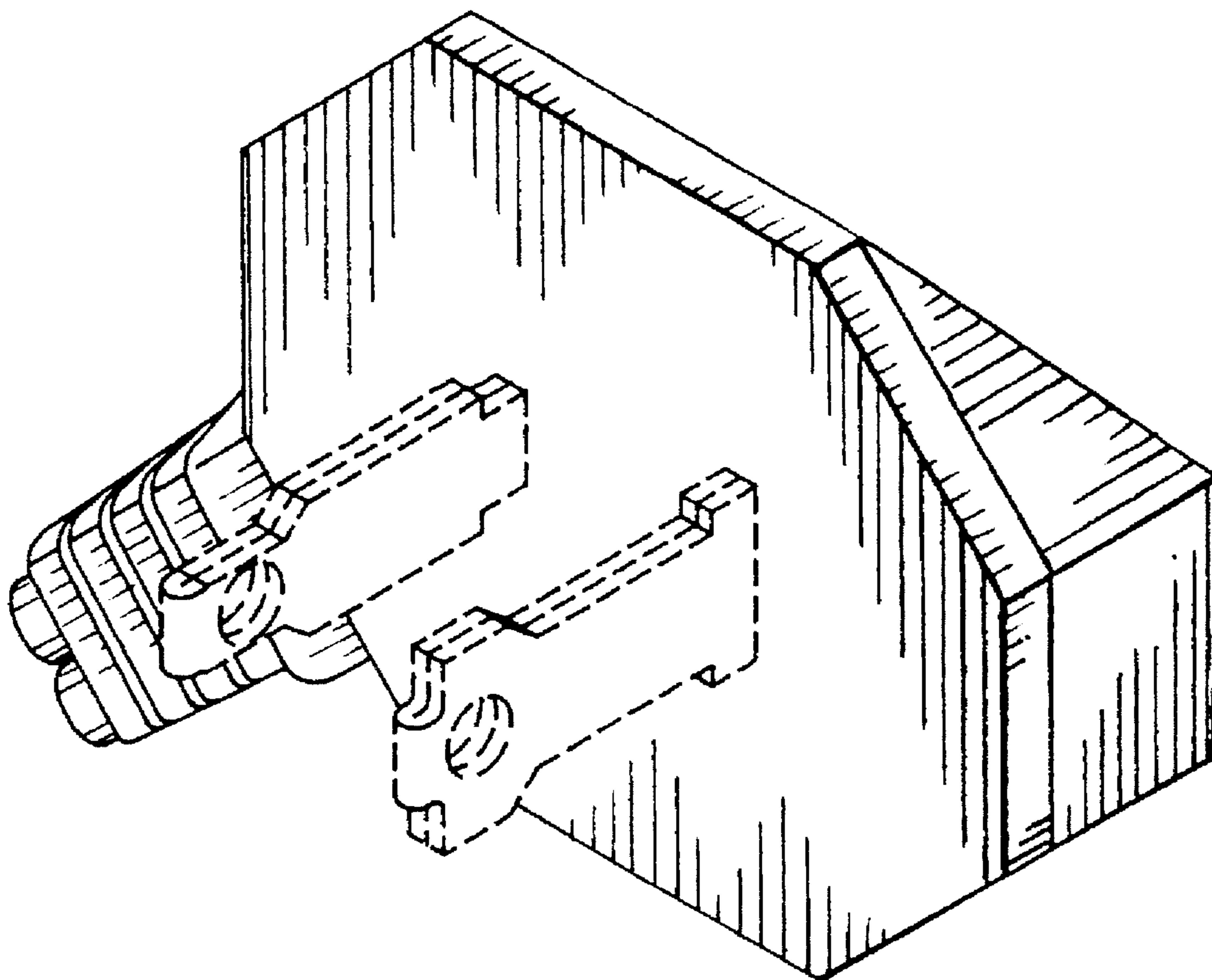
FIG. 6 is a left side view thereof;

FIG. 7 is a right side view thereof;

FIG. 8 is a front and upper right perspective view thereof; and,

FIG. 9 is a front and lower left perspective view thereof.

1 Claim, 2 Drawing Sheets



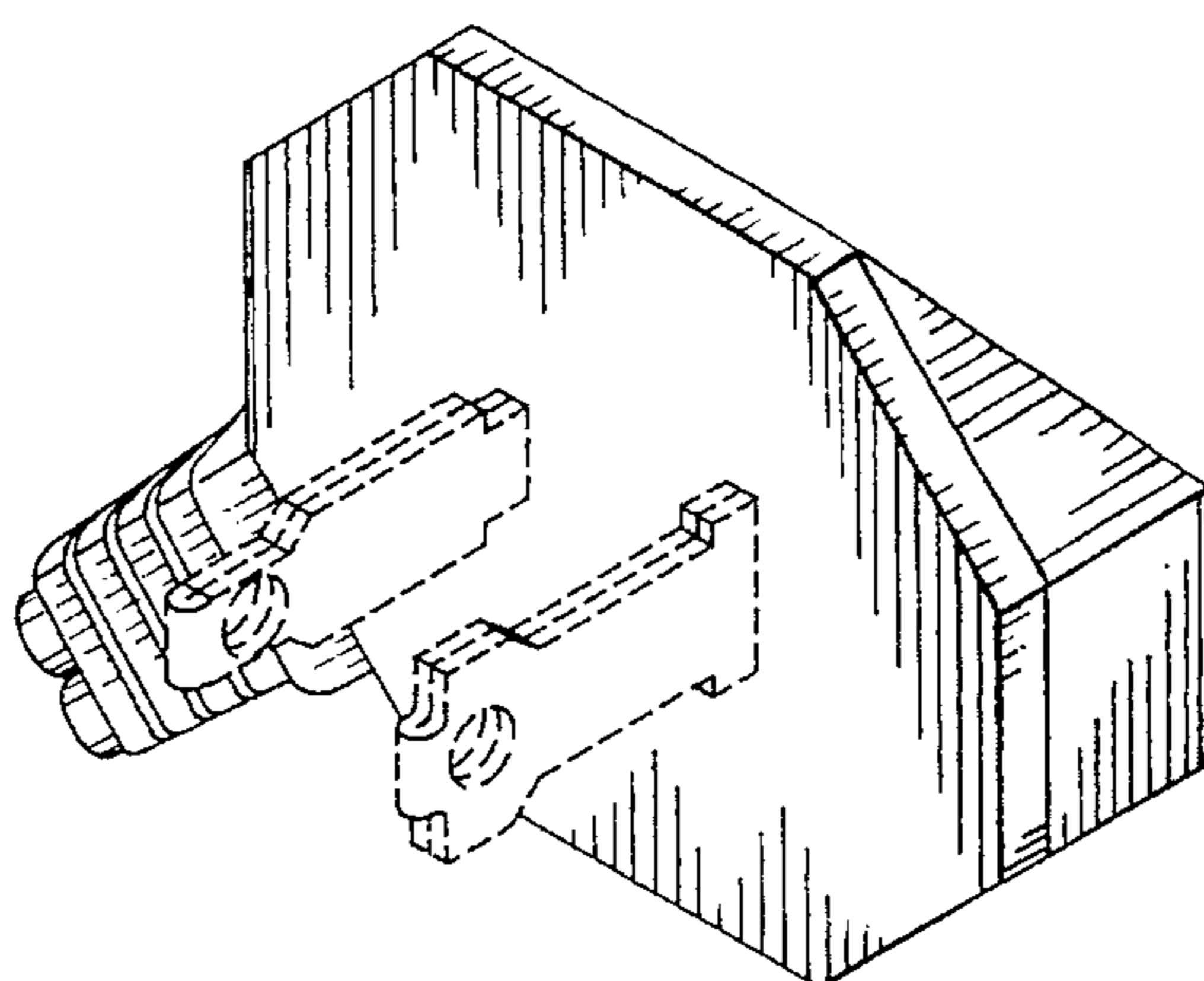


FIG. 1

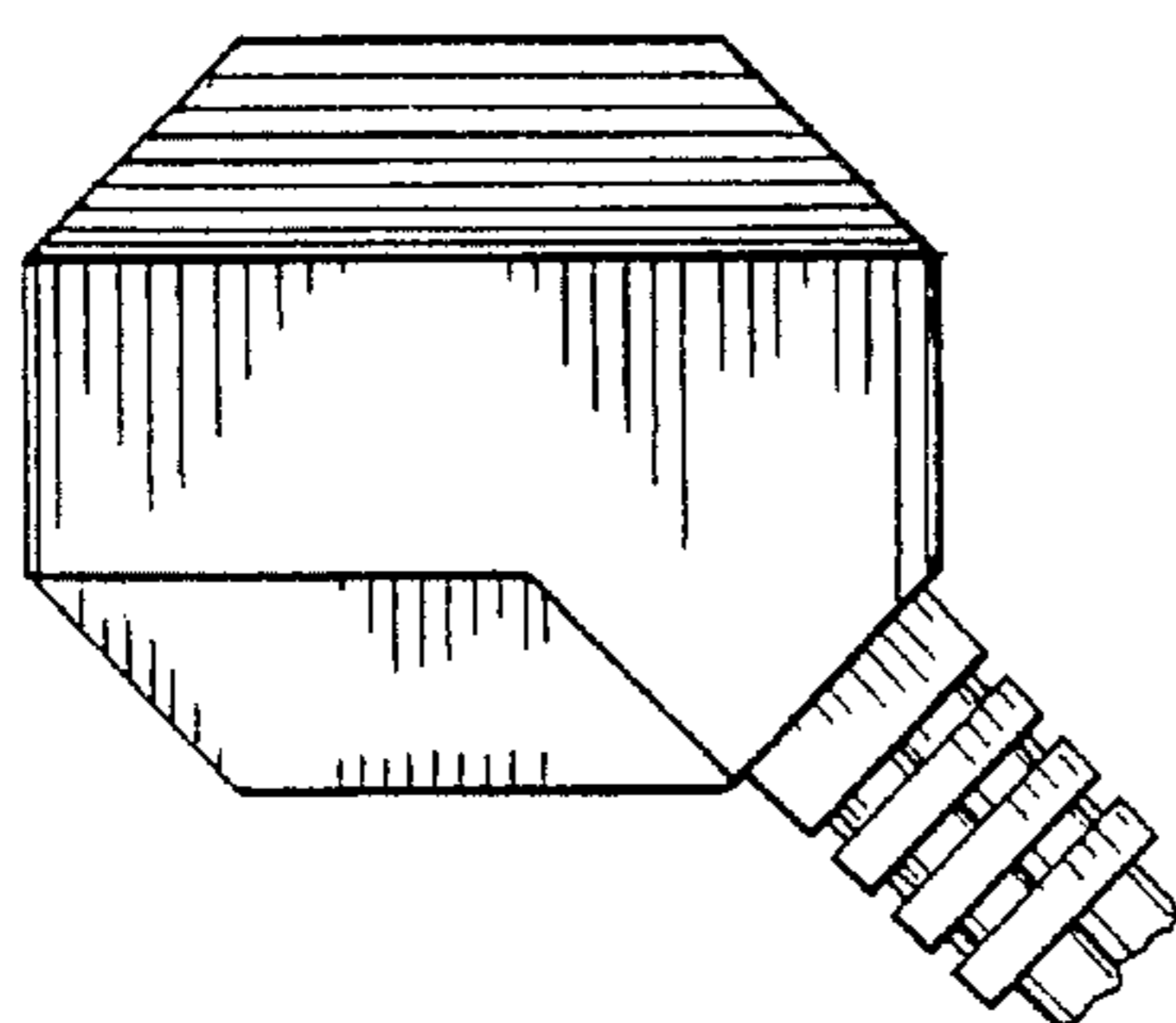


FIG. 2

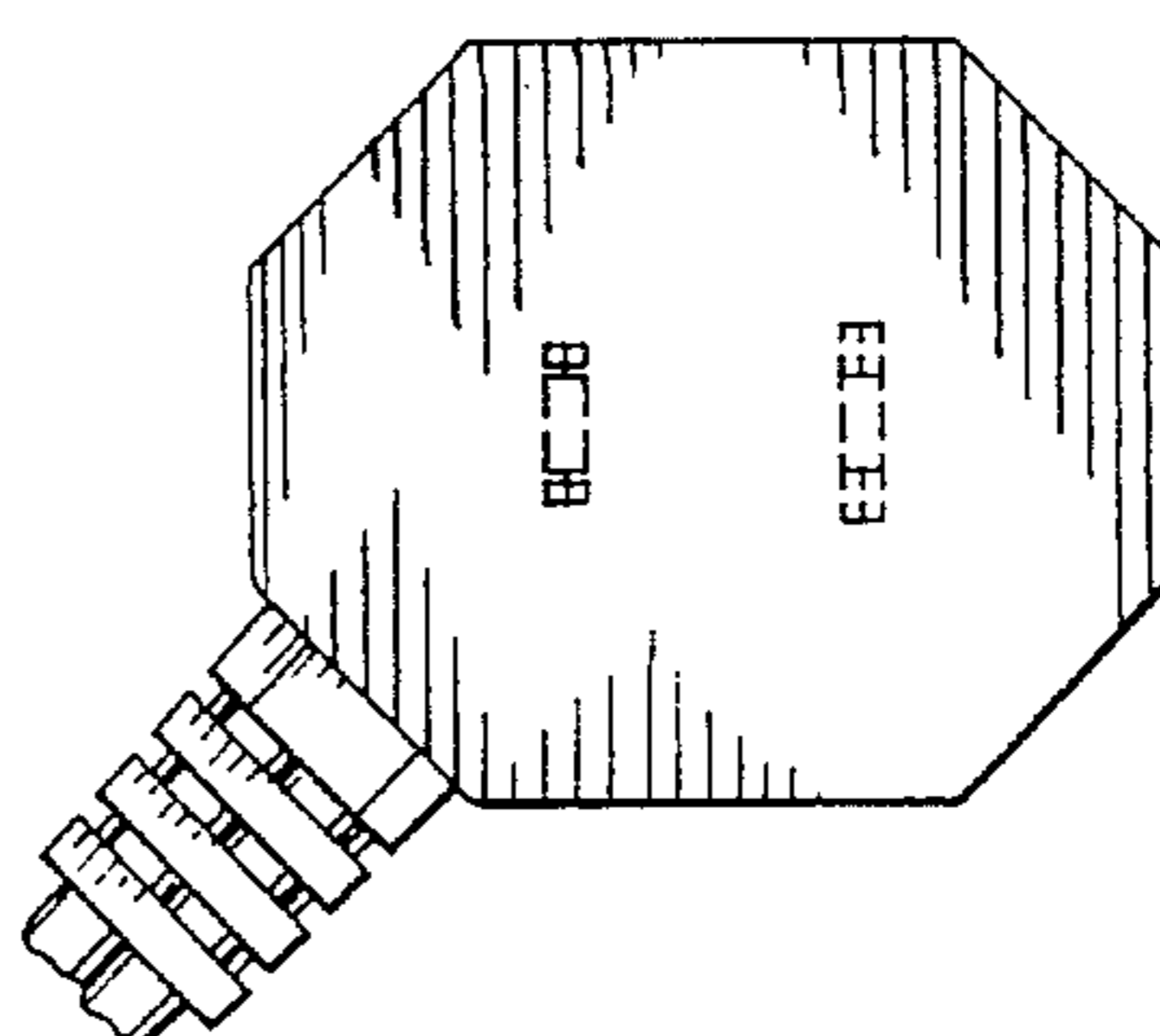


FIG. 3

FIG. 4

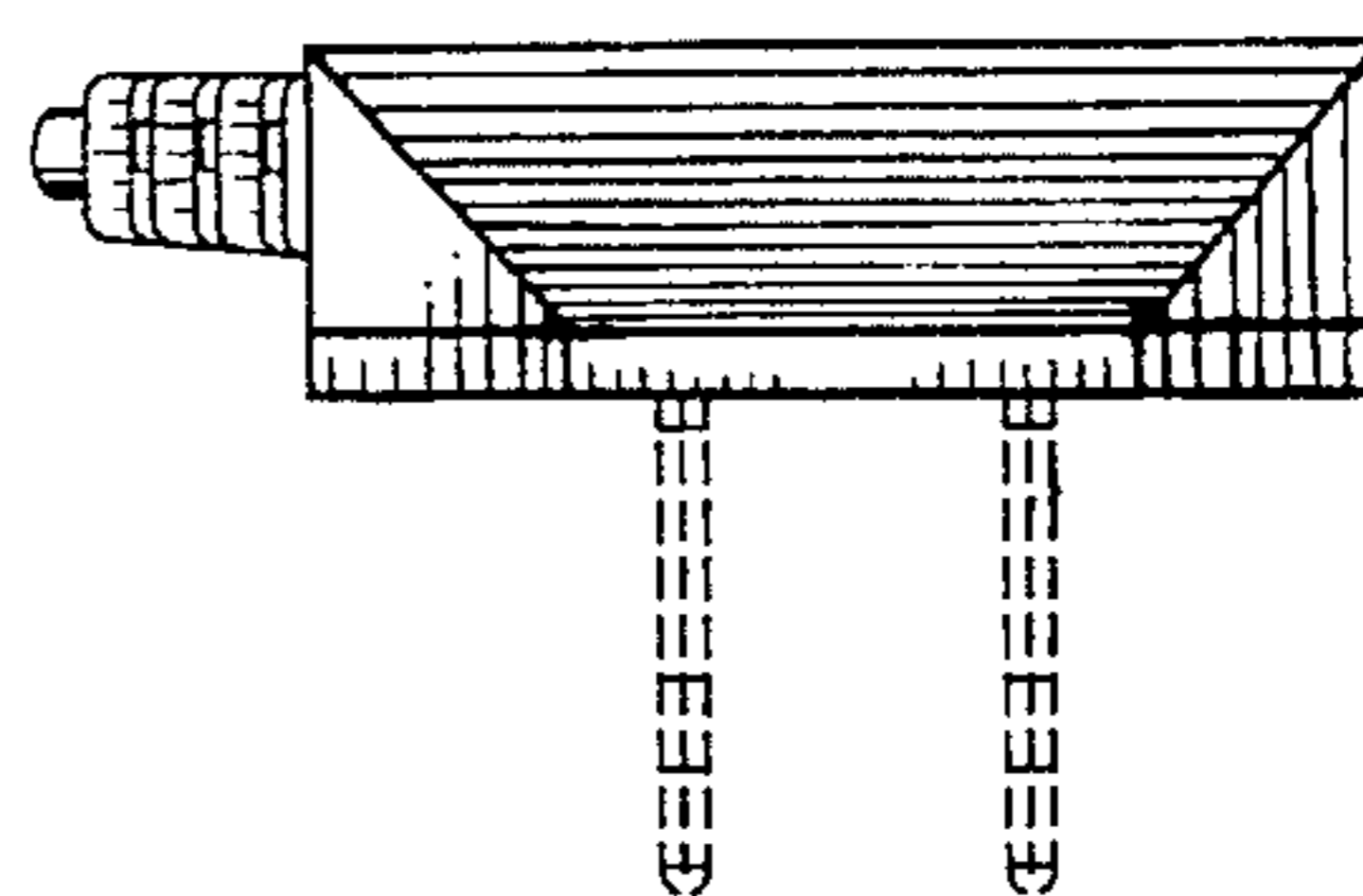
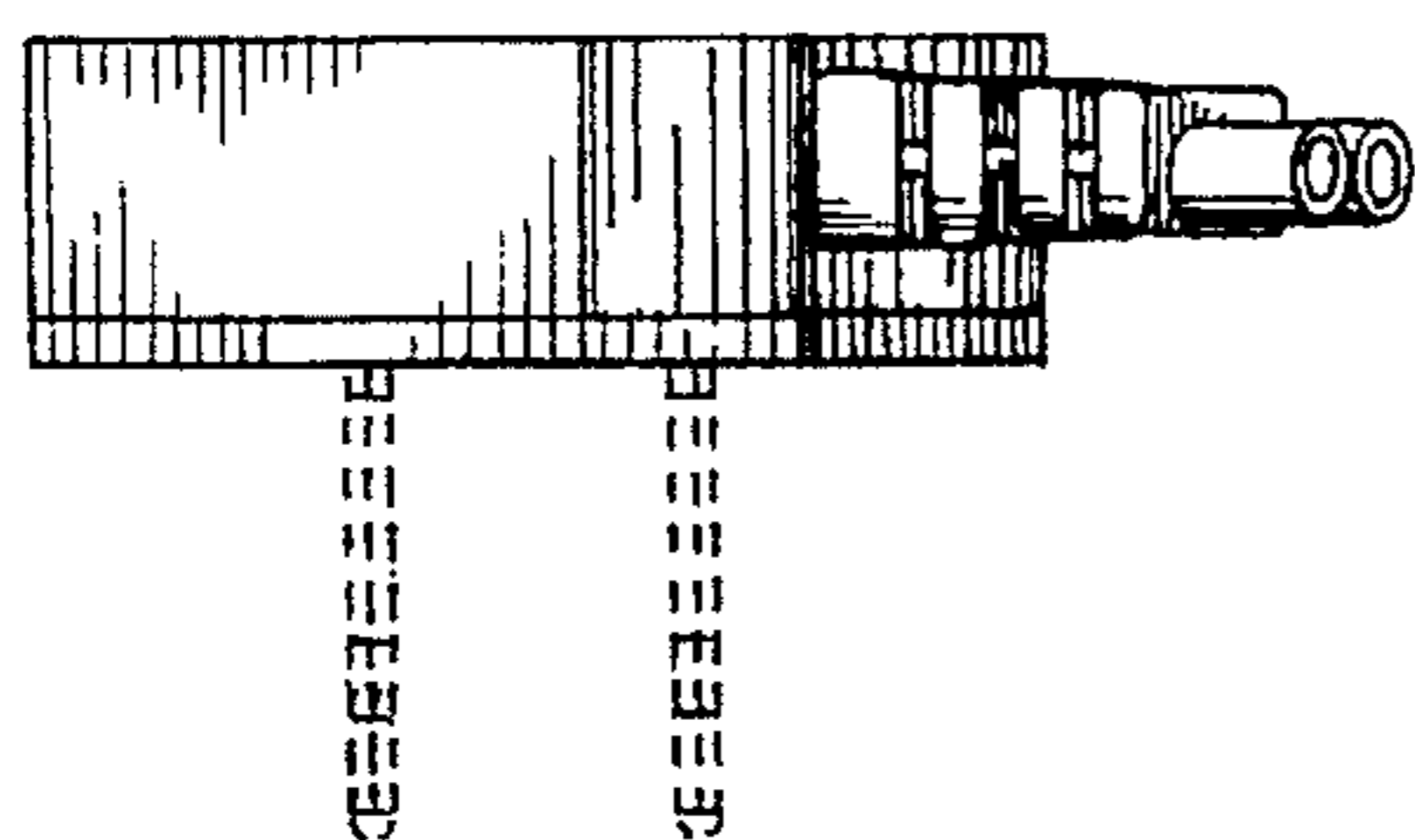


FIG. 5

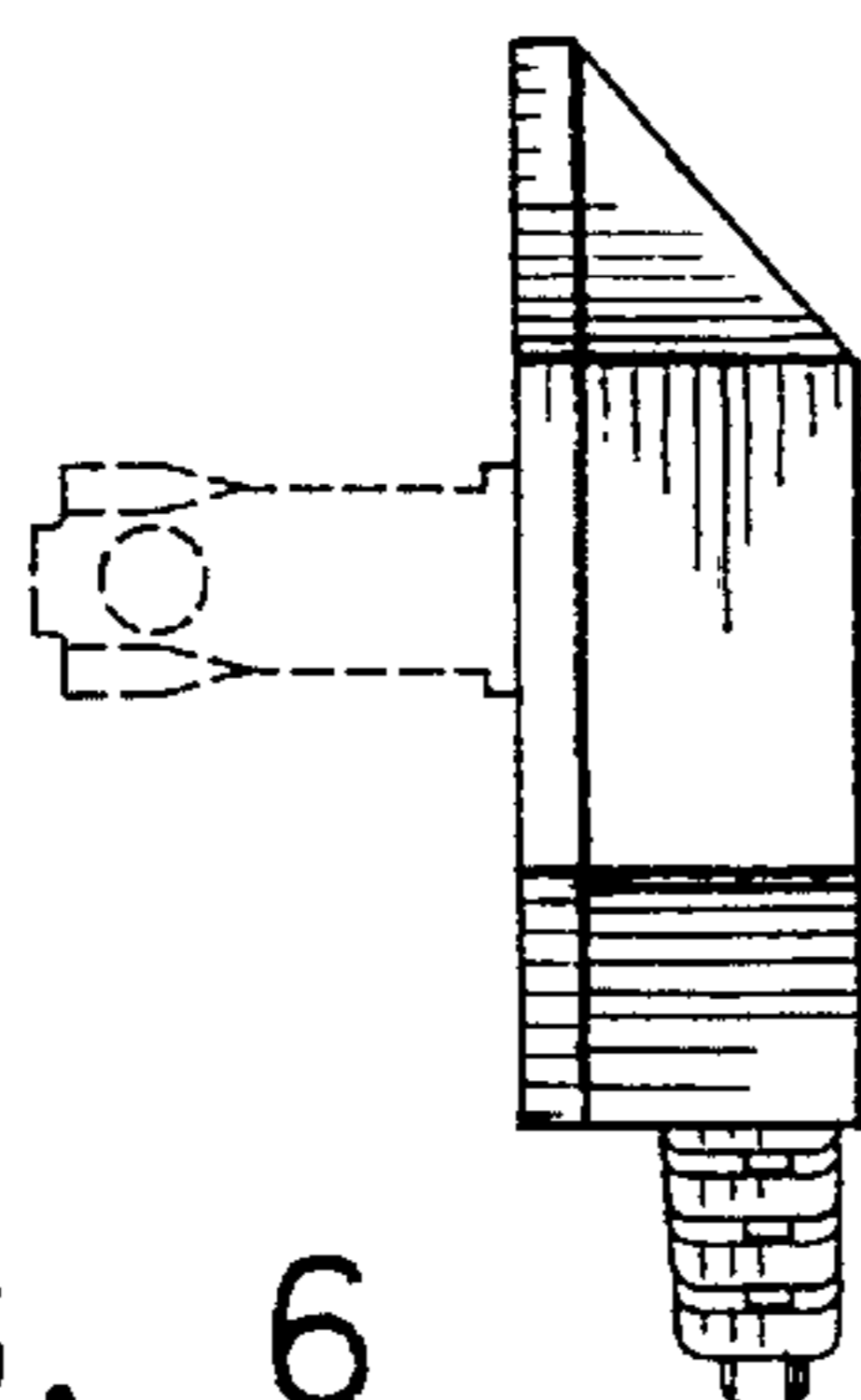


FIG. 6

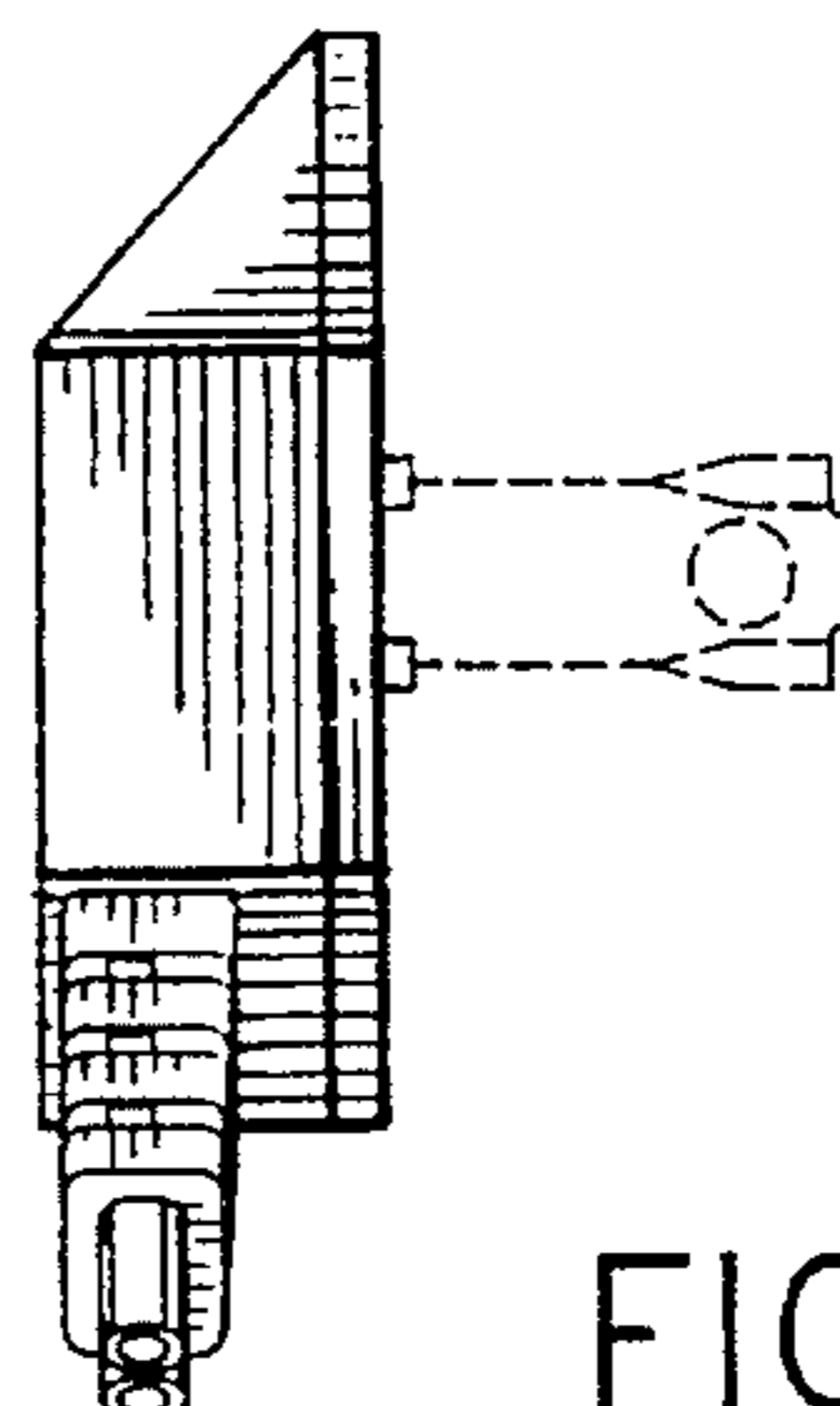


FIG. 7

FIG. 8

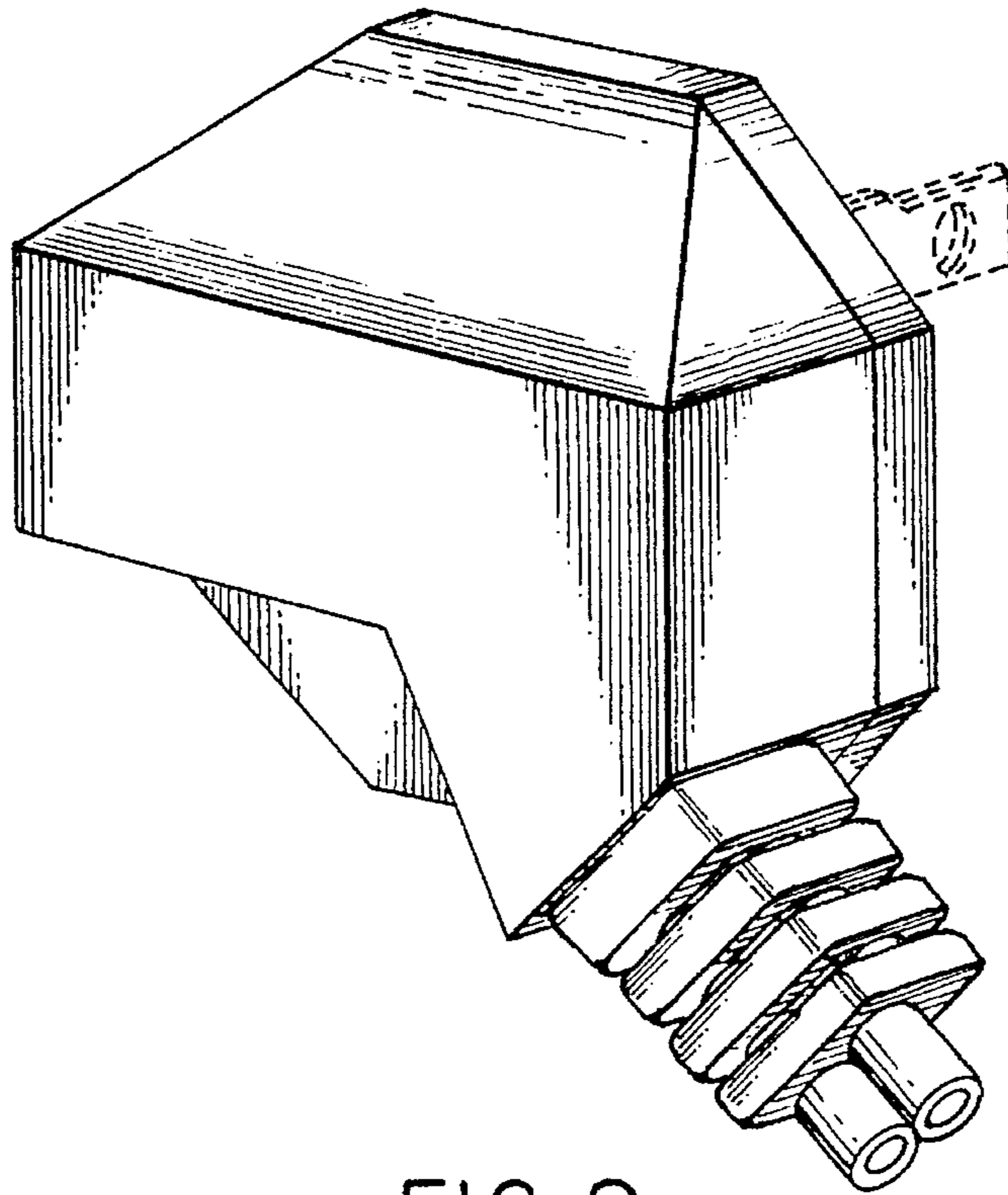


FIG. 9

