



US00D370202S

# United States Patent [19]

Youens

[11] Patent Number: **Des. 370,202**

[45] Date of Patent: **\*\*May 28, 1996**

[54] **BATTERY CHARGER**

[75] Inventor: **John E. Youens**, Tomball, Tex.

[73] Assignee: **Compaq Computer Corporation**,  
Houston, Tex.

[\*\*] Term: **14 Years**

[21] Appl. No.: **16,936**

[22] Filed: **Dec. 30, 1993**

[52] U.S. Cl. .... **D13/107**

[58] Field of Search ..... **D13/107, 108;**  
**320/2, 3, 4, 15**

[56] **References Cited**

**U.S. PATENT DOCUMENTS**

- D. 278,702 5/1985 Chiodo et al. .... D13/107
- D. 321,168 10/1991 Usami ..... D13/107

*Primary Examiner*—Joel Sincavage  
*Attorney, Agent, or Firm*—L. Jon Lindsay

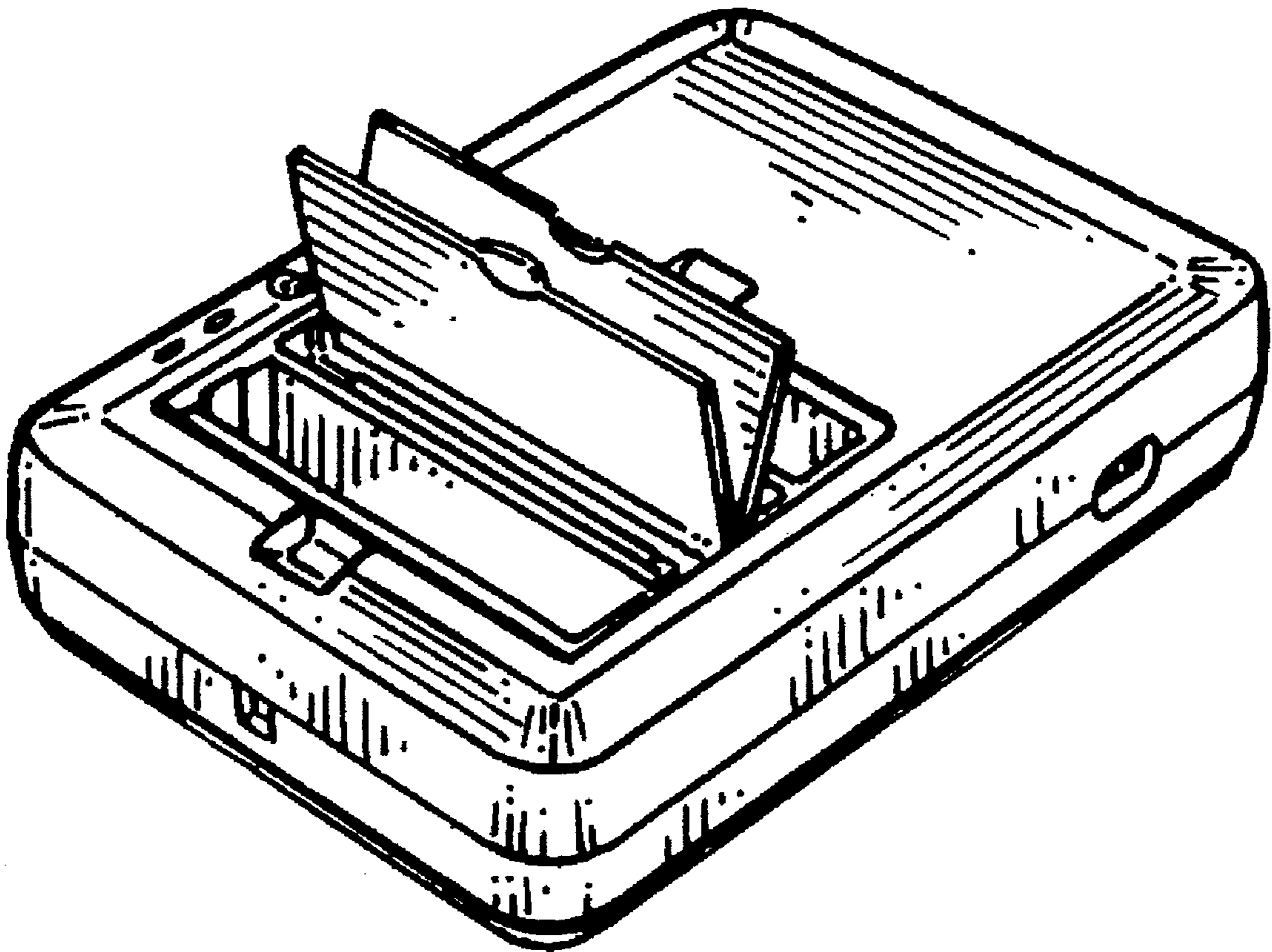
[57] **CLAIM**

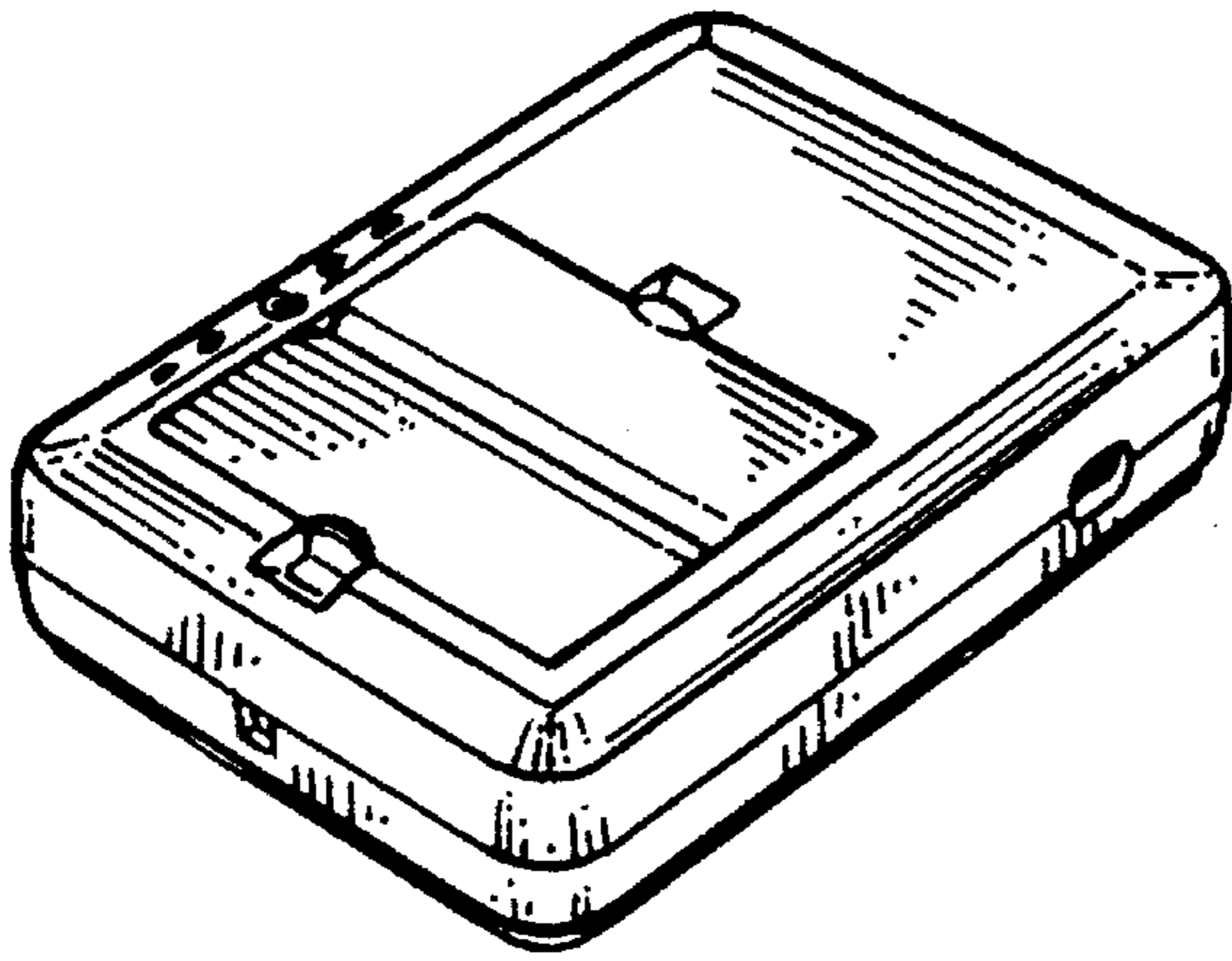
The ornamental design for a battery charger, as shown and described.

**DESCRIPTION**

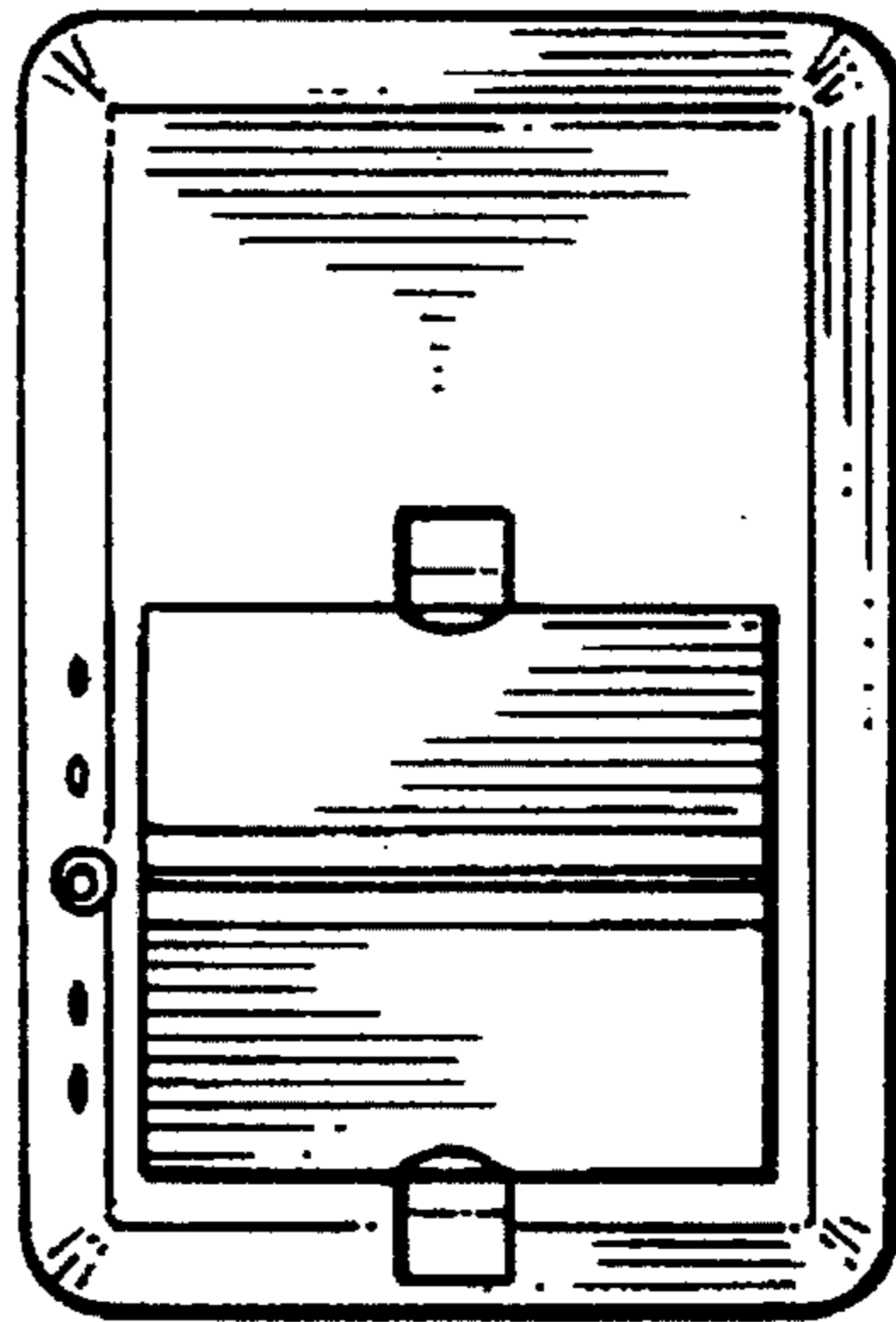
FIG. 1 is a front, right side, top perspective view of a battery charger showing my new design;  
 FIG. 2 is a top plan view thereof;  
 FIG. 3 is a front elevational view thereof;  
 FIG. 4 is a right side elevational view thereof;  
 FIG. 5 is a left side elevational view thereof;  
 FIG. 6 is a rear elevational view thereof;  
 FIG. 7 is a bottom plan view thereof; and,  
 FIG. 8 is a front, right side, top perspective view thereof with the charge bay doors in open position.

**1 Claim, 2 Drawing Sheets**

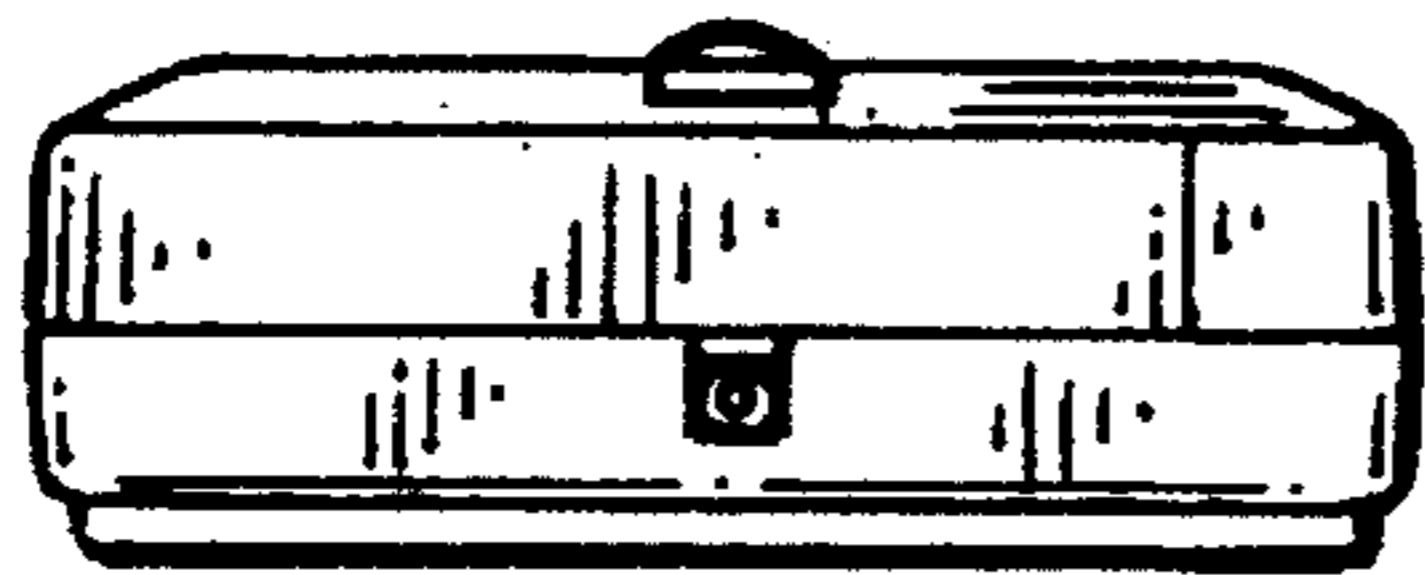




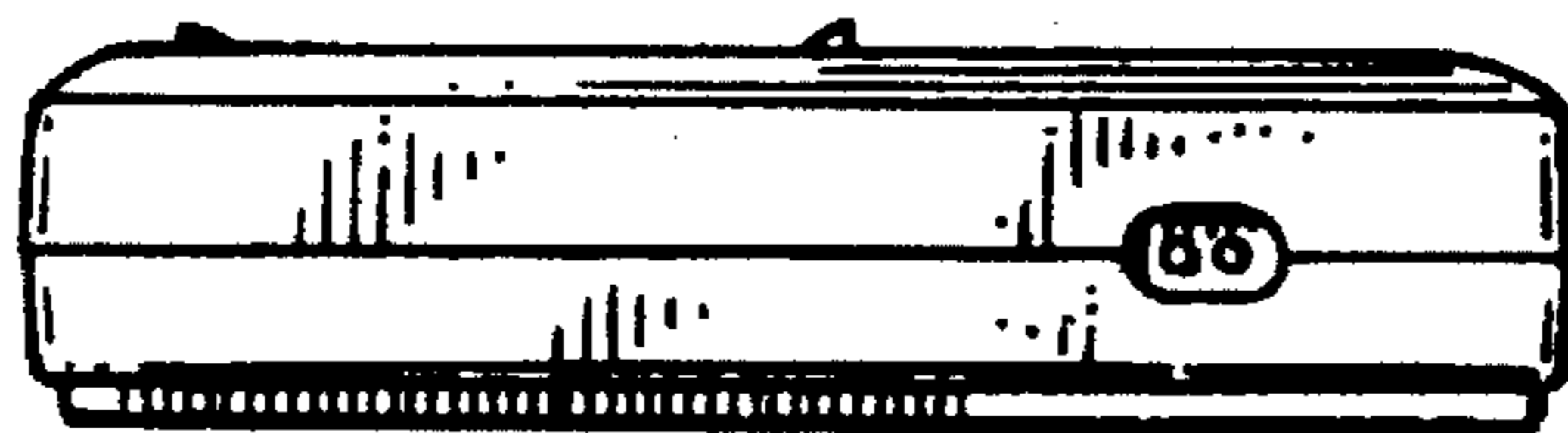
**Fig. 1**



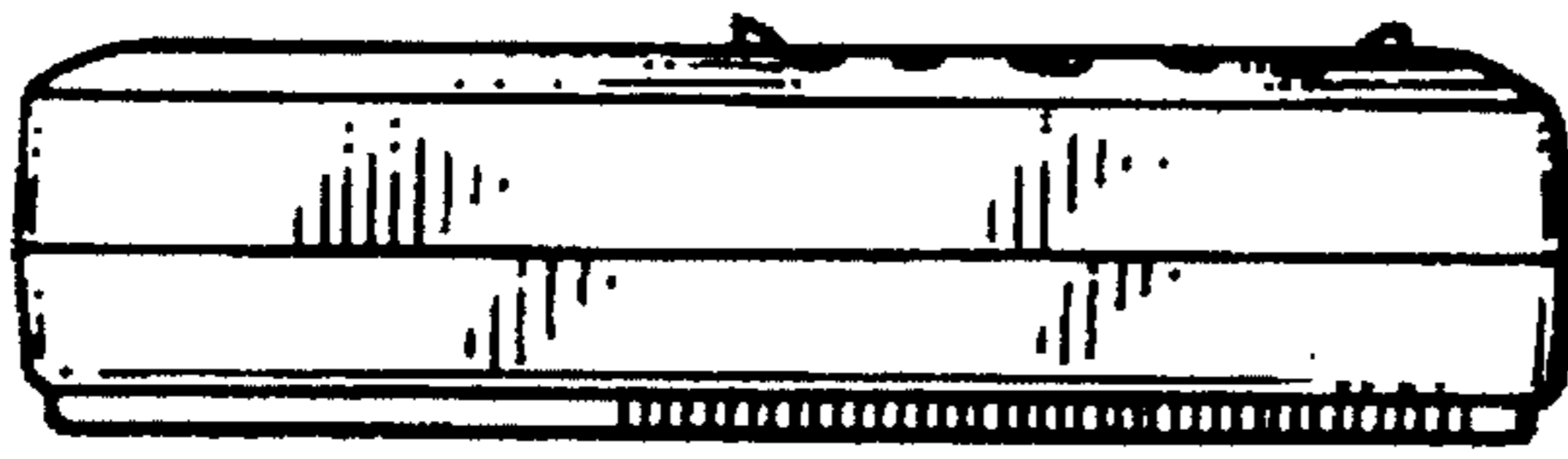
**Fig. 2**



**Fig. 3**

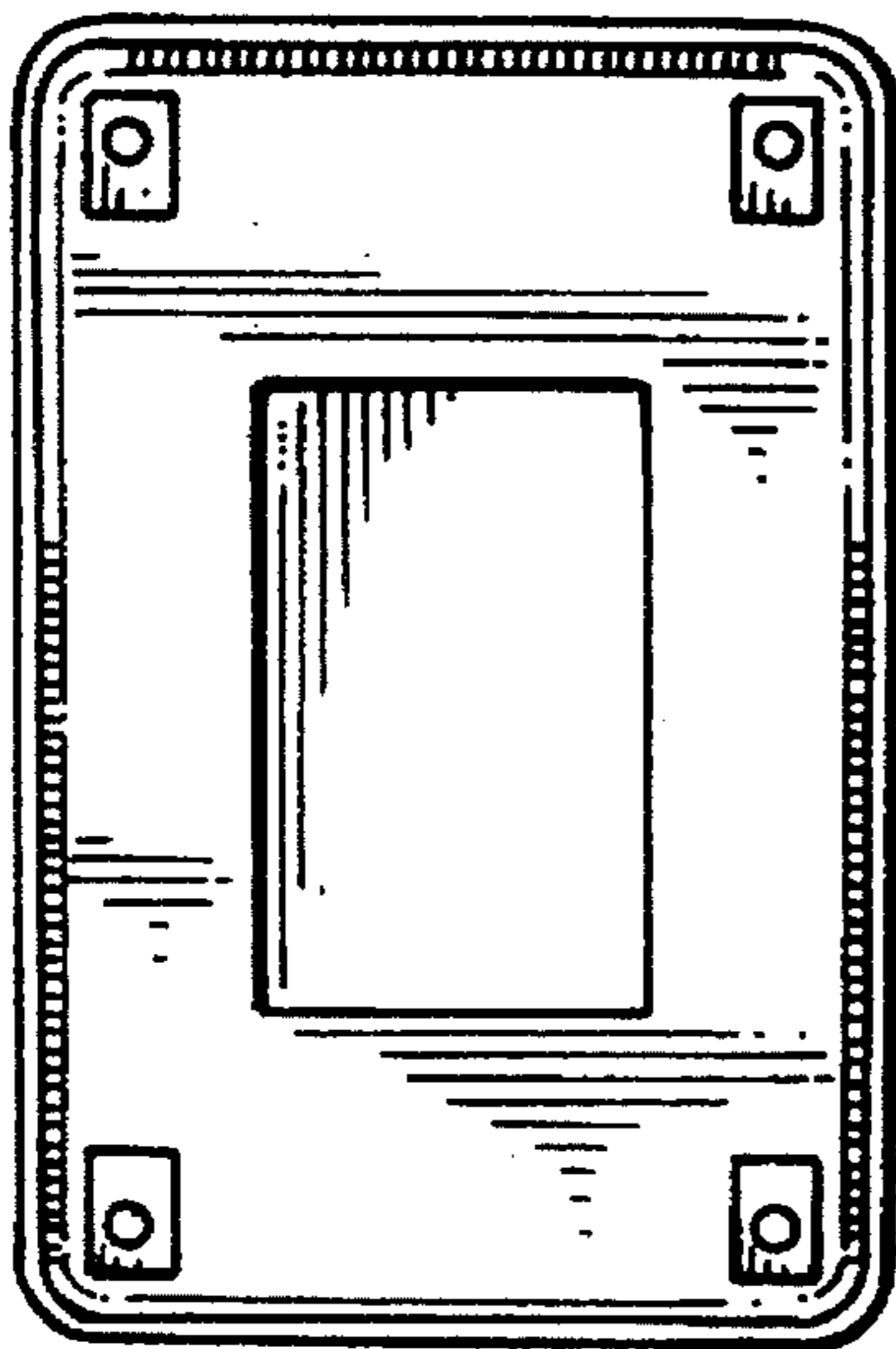


**Fig. 4**

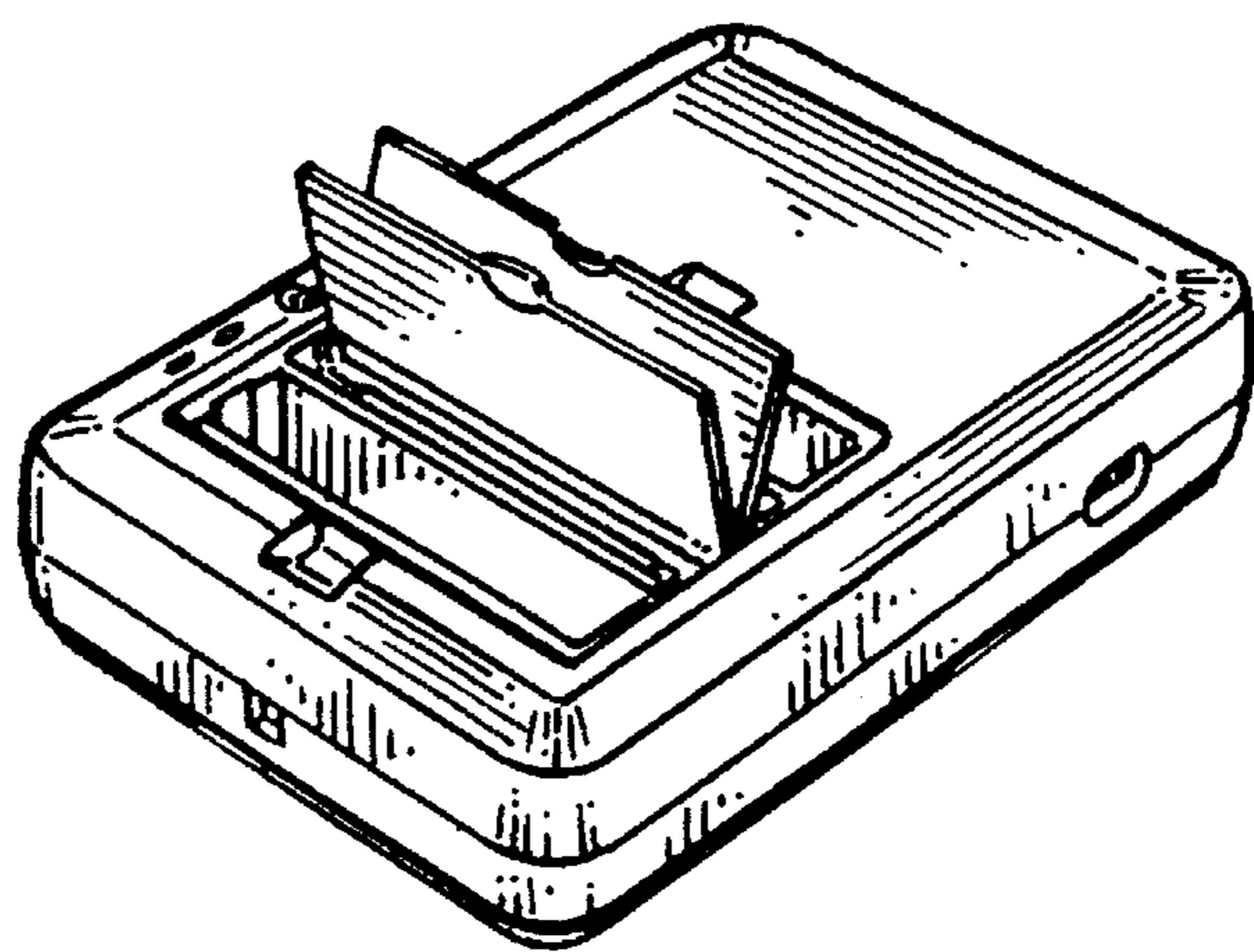


**Fig. 5**

**Fig. 6**



**Fig. 7**



**Fig. 8**