



US00D370197S

United States Patent [19]

Graas et al.

[11] Patent Number: **Des. 370,197**

[45] Date of Patent: ****May 28, 1996**

[54] **TIRE TREAD**

[75] Inventors: **Maurice Graas, Reichlange; Jan H. Van Tuyl**, Ettelbruck, both of Luxembourg

[73] Assignee: **The Goodyear Tire & Rubber Company**, Akron, Ohio

[**] Term: **14 Years**

[21] Appl. No.: **35,549**

[22] Filed: **Mar. 1, 1995**

[52] U.S. Cl. **D12/147**

[58] Field of Search D12/140, 145-148; 152/209 R, 209 B, 209 D

[56] **References Cited**

U.S. PATENT DOCUMENTS

- D. 294,930 3/1988 Slagh D12/147
- D. 317,741 6/1991 Kuroda D12/147
- D. 353,567 12/1994 Anderson et al. D12/147
- D. 360,859 8/1995 Attinello et al. D12/147

OTHER PUBLICATIONS

- 1994 Tread Design Guide, p. 22, Federal Super Steel 631 Tire, third row down from top, center of page.
- 1994 Tread Design Guide, p. 30, Hallmark Ultra HR 765 Tire, bottom right side of page.

1994 Tread Design Guide, p. 61, Sumitomo SC 890 Tire, second row down from top & second Tire in from right side of page.

Primary Examiner—James M. Gandy
Attorney, Agent, or Firm—T. P. Lewandowski

[57] **CLAIM**

The ornamental design for a tire tread, as shown and described.

DESCRIPTION

FIG. 1 is a perspective view of a tire tread;

FIG. 2 is a front elevational view thereof;

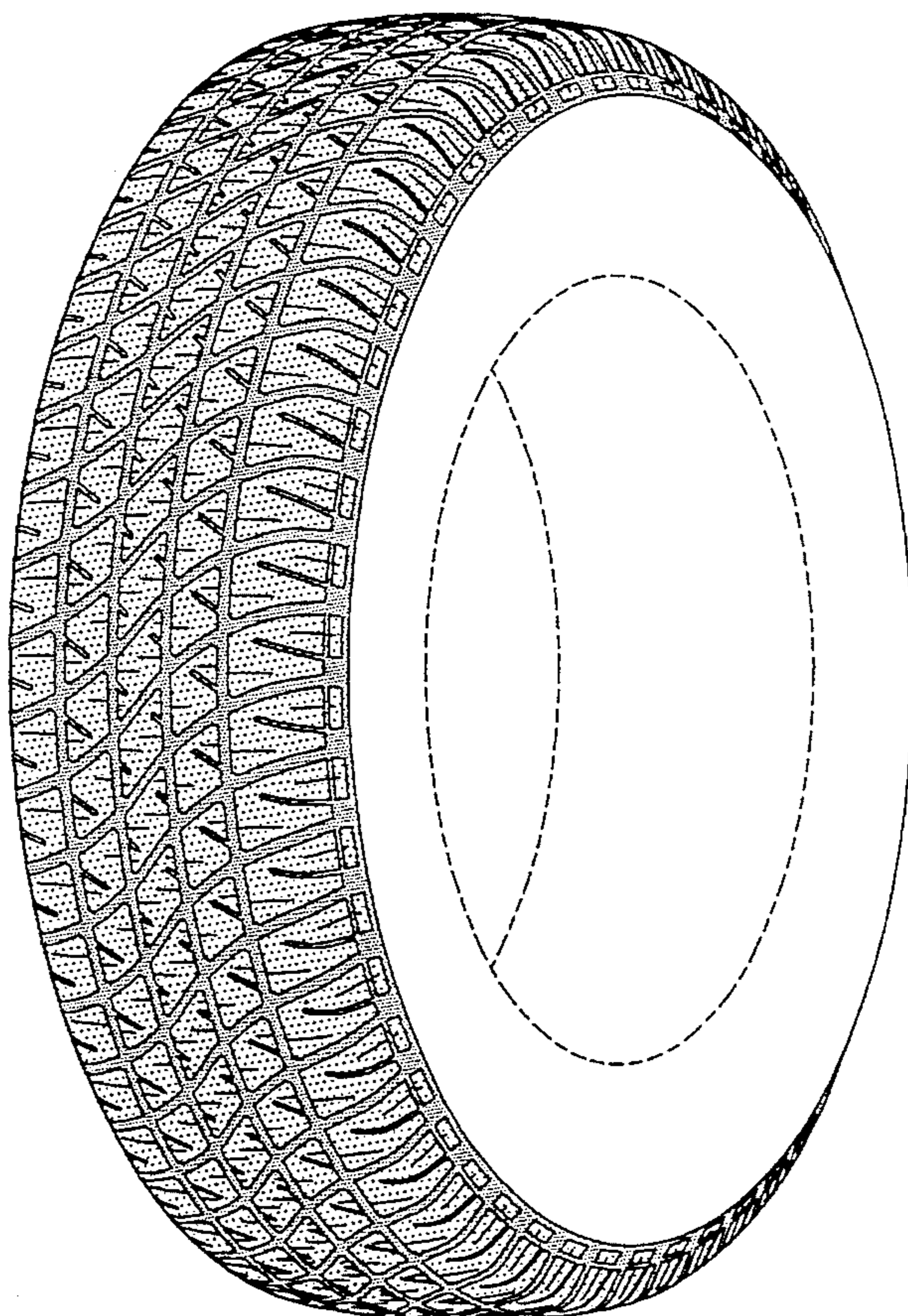
FIG. 3 is a side elevational view thereof; and,

FIG. 4 is an enlarged fragmentary front view thereof.

The tread pattern is understood to be repeated uniformly throughout the circumference of the tire tread.

The broken line showing of the tire sidewall in the drawings is for illustrative purposes only and forms no part of the claimed design.

1 Claim, 4 Drawing Sheets



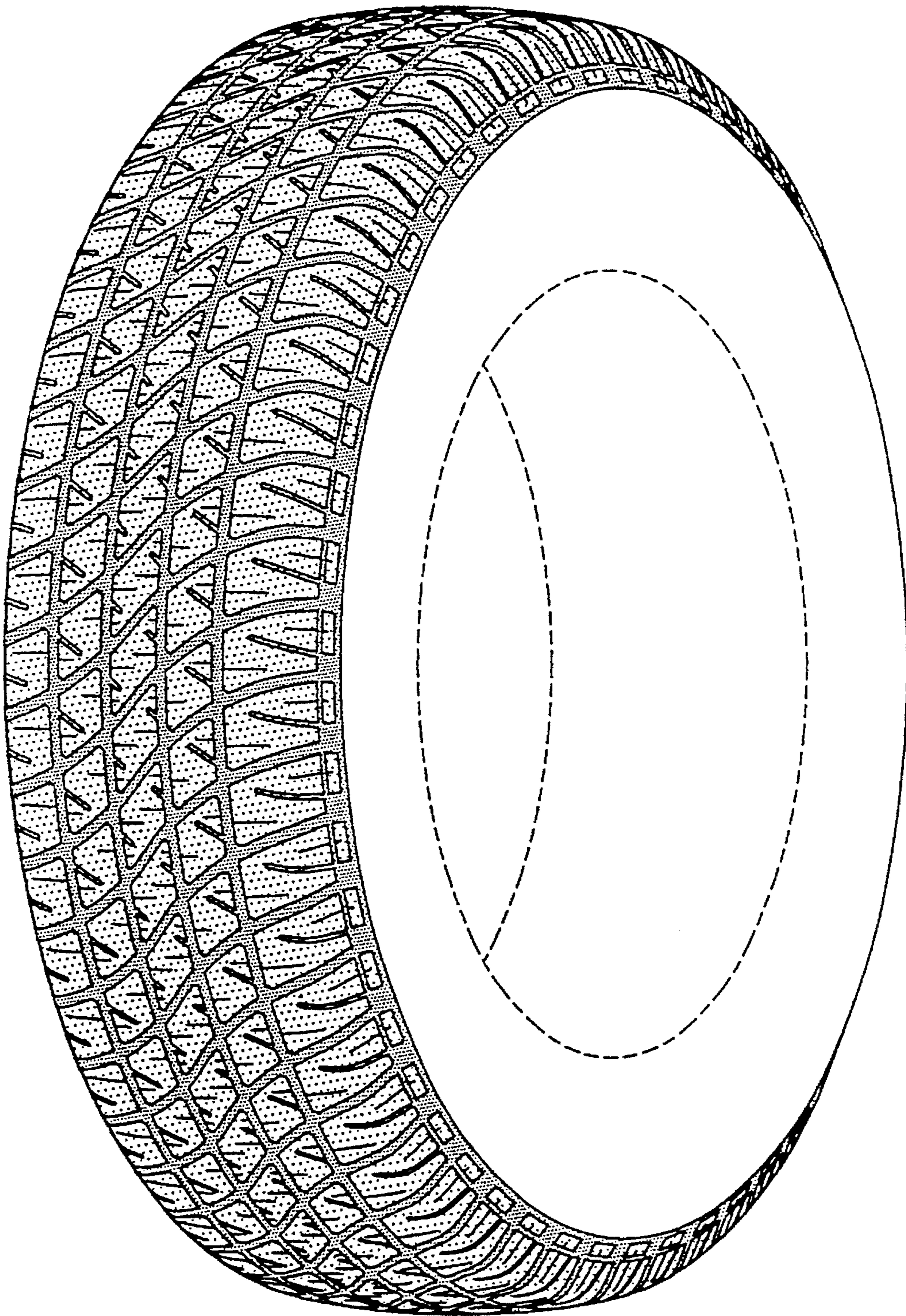


FIG-1

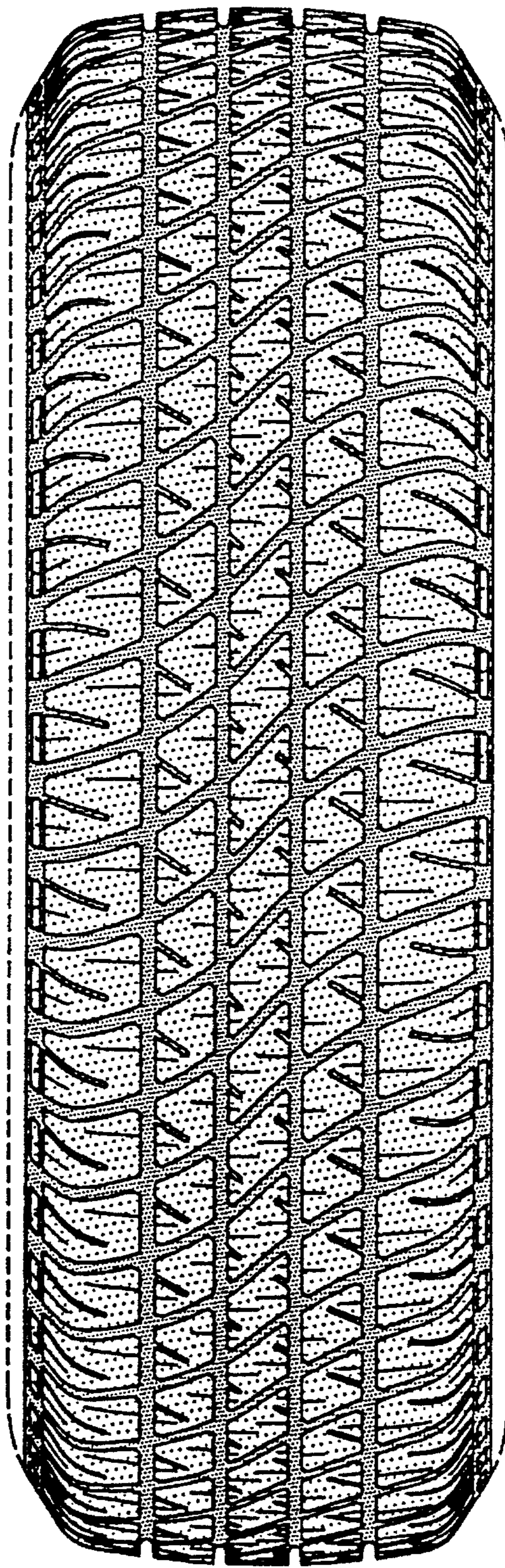


FIG-2

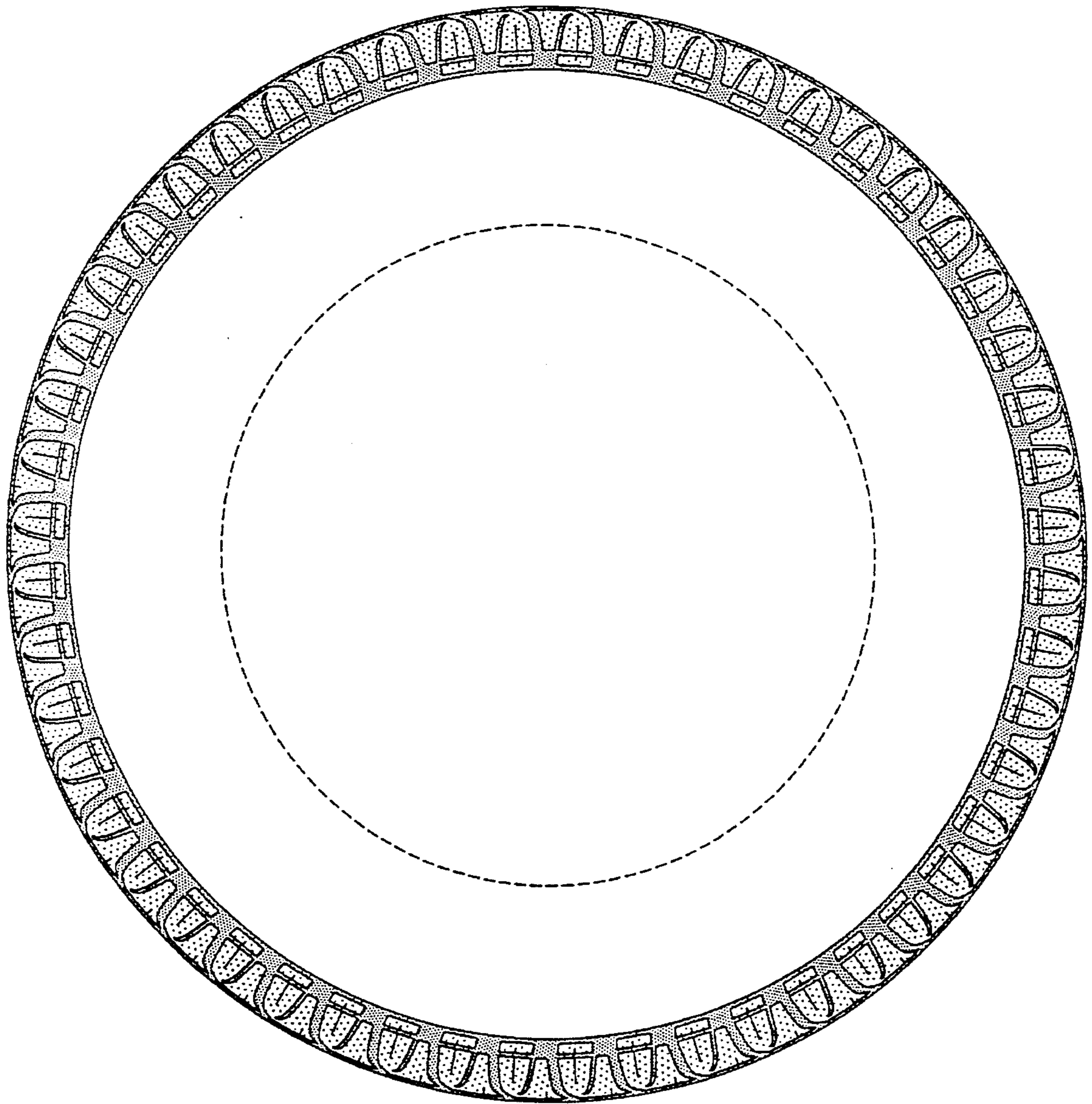


FIG-3

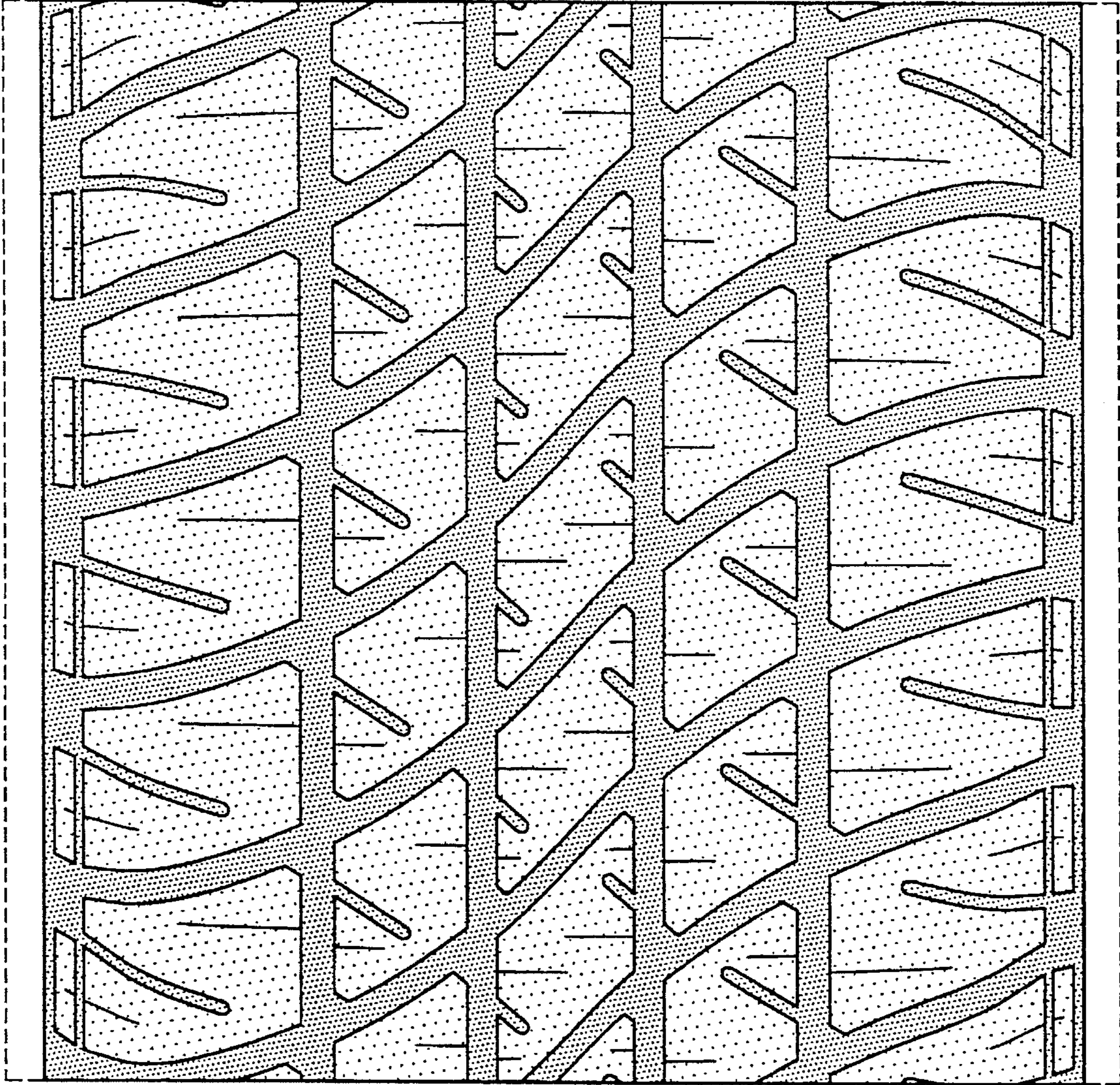


FIG-4