



US00D370194S

# United States Patent [19]

[11] Patent Number: **Des. 370,194**

Baechler et al.

[45] Date of Patent: **\*\*\* May 28, 1996**

- [54] **BABY STROLLER FRAME**
- [75] Inventors: **Philip A. Baechler; Matthew Eichenberger**, both of Yakima; **William J. Setter**, Woodinville; **Bruce A. Sully**, Lynnwood, all of Wash.
- [73] Assignee: **Racing Strollers, Inc.**, Yakima, Wash.
- [\*] Notice: The portion of the term of this patent subsequent to Feb. 1, 2008, has been disclaimed.
- [\*\*] Term: **14 Years**
- [21] Appl. No.: **35,759**
- [22] Filed: **Mar. 6, 1995**

### Related U.S. Application Data

- [60] Division of Ser. No. 122,225, Sep. 15, 1993, which is a continuation-in-part of Ser. No. 948,913, Sep. 18, 1992, Pat. No. Des. 343,812.
- [52] **U.S. Cl.** ..... **D12/129; D34/12**
- [58] **Field of Search** ..... **D12/129, 128; 280/650, 62, 658, 642, 641, 657; D34/12,**  
18

### References Cited

#### U.S. PATENT DOCUMENTS

Re. 3,636	9/1869	Christian .	
D. 204,254	4/1966	Cerf .....	D14/14
D. 239,523	4/1976	Firth et al. ....	D12/129
D. 297,525	9/1988	Baechler .....	D12/129
D. 301,850	6/1989	Clement et al. ....	D12/129
D. 315,885	4/1991	Jacobs .....	D12/129
D. 332,591	1/1993	Reely .....	D12/129
D. 343,812	2/1994	Baechler et al. ....	D12/129
D. 350,923	9/1994	Schmidlin et al. ....	D12/12
D. 356,760	3/1995	Baechler .....	D12/129
D. 357,890	5/1995	Eyman et al. ....	D12/129
699,186	5/1902	Katzke .	

2,425,688	8/1947	Schulte .....	280/36
2,886,337	5/1959	Quisenberry .....	280/36
3,781,031	12/1973	Patin .....	280/62
3,870,371	3/1975	Solomon .....	301/1
4,346,912	8/1982	Habib .....	280/644
4,570,956	2/1986	Dyer .....	280/30
4,618,184	10/1986	Harvey .....	297/19
4,847,945	7/1989	Schwartz et al. ....	16/30
4,902,027	2/1990	Skelly .....	280/33.998
4,917,442	4/1990	Johnson .....	301/113
4,934,728	6/1990	Chen .....	280/644
4,953,880	9/1990	Sudakoff et al. ....	280/47.38
4,958,842	9/1990	Chang .....	280/7.1
4,963,115	10/1990	Davin et al. ....	446/96
5,029,891	7/1991	Jacobs .....	280/650
5,076,599	12/1991	Lockett et al. ....	280/204
5,123,670	6/1992	Chen .....	280/650
5,176,395	1/1993	Garforth-Bles .....	280/415.1
5,188,389	2/1993	Baechler et al. ....	280/650
5,224,720	7/1993	Chaw et al. ....	280/62
5,259,635	11/1993	Picker .....	280/250.1
5,299,825	4/1994	Smith .....	280/644
5,344,171	9/1994	Garforth-Bles .....	280/415.1
5,356,171	10/1994	Schmidlin et al. ....	280/650
5,364,119	11/1994	Leu .....	280/647

Primary Examiner—Kay H. Chin  
Attorney, Agent, or Firm—Seed and Berry

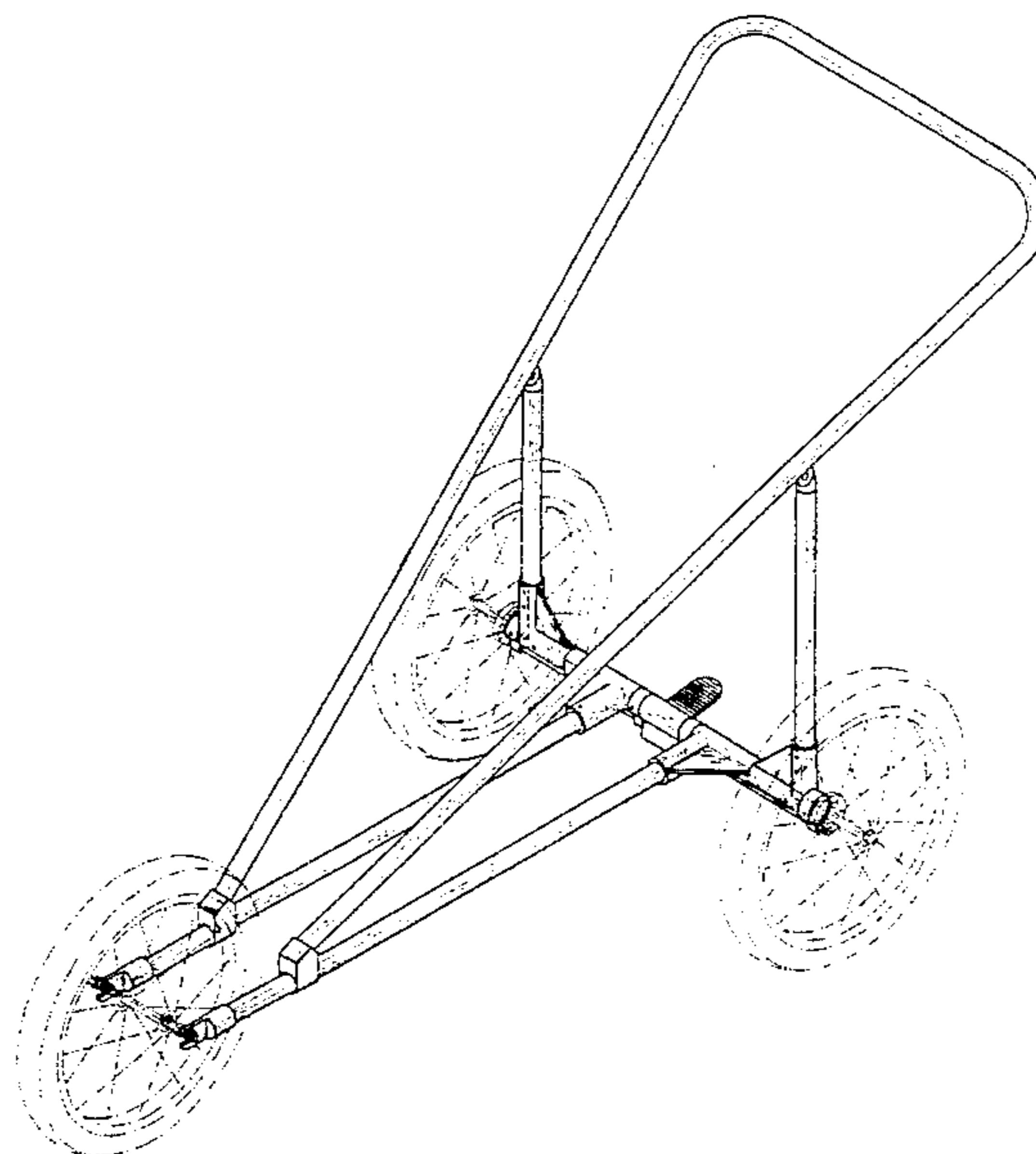
### [57] CLAIM

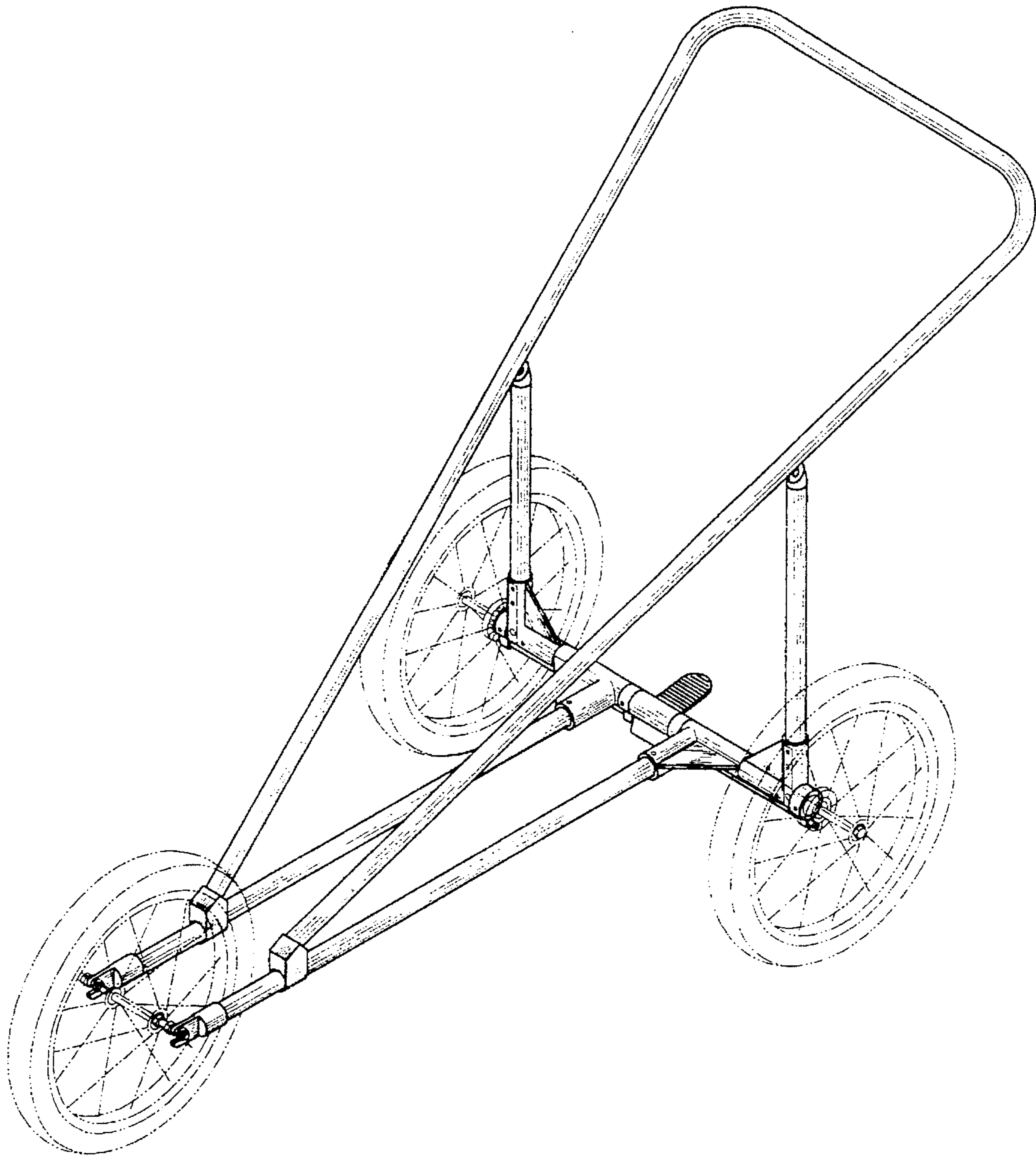
The ornamental design for a baby stroller frame, as shown and described.

### DESCRIPTION

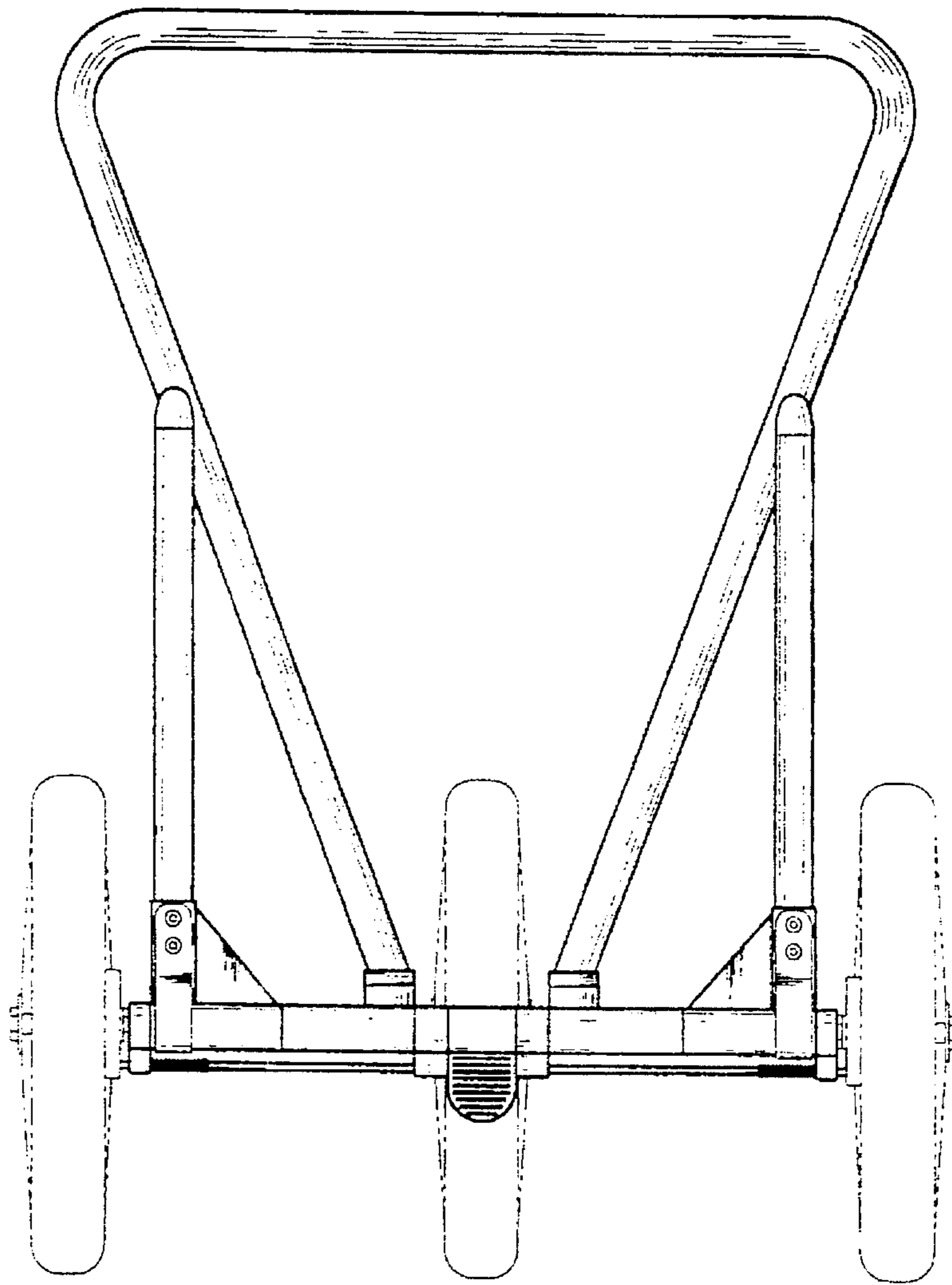
FIG. 1 is a front isometric view of a baby stroller frame, showing our new design;  
FIG. 2 is a rear elevational view thereof; and,  
FIG. 3 is a bottom plan view thereof.  
The phantom lines shown in FIGS. 1 through 3 are for illustrative purposes only and form no part of the claimed design.

1 Claim, 3 Drawing Sheets

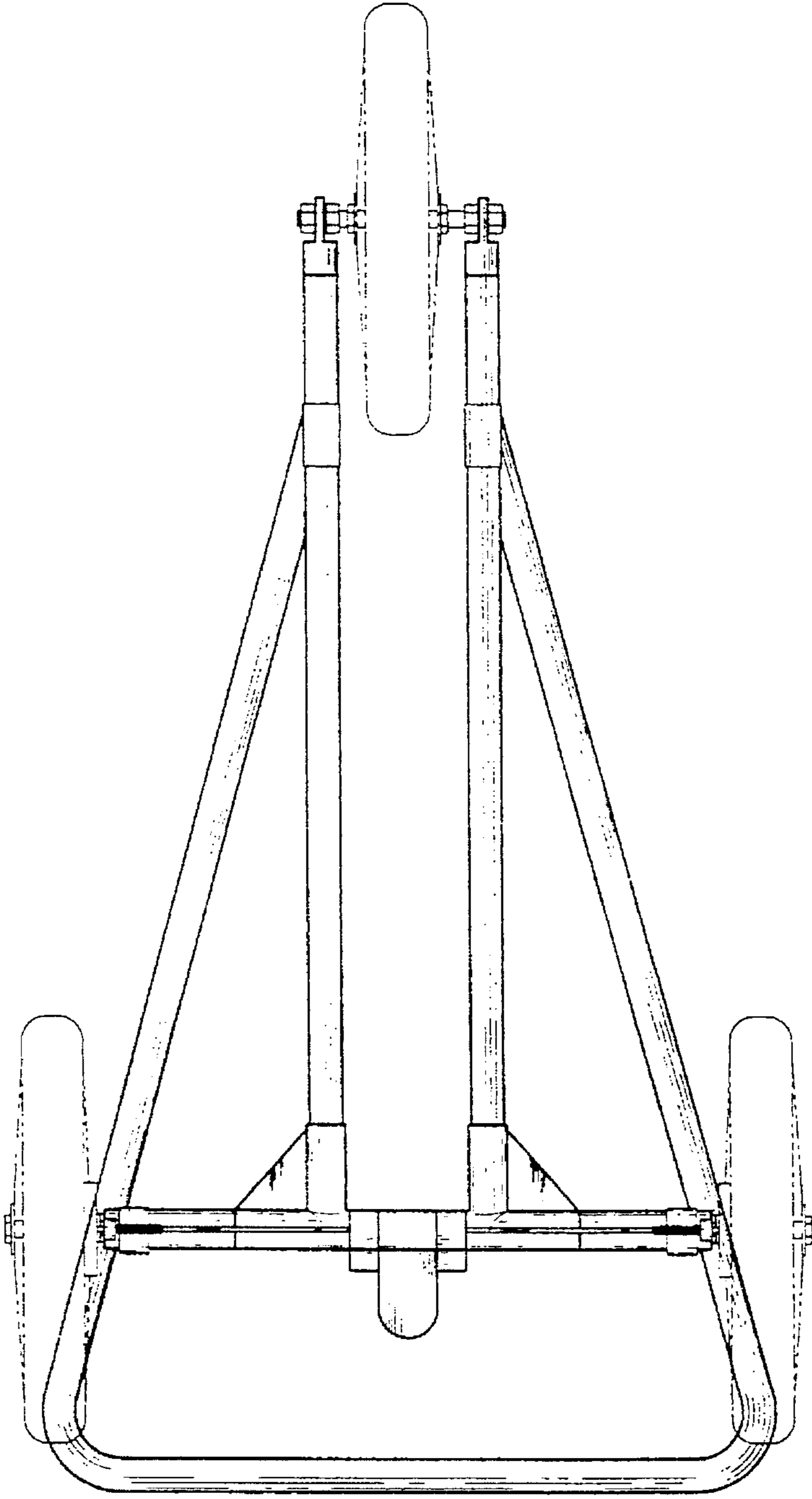




*Fig. 1*



*Fig. 2*



*Fig. 3*