



US00D370193S

**United States Patent** [19]  
**Shull**

[11] **Patent Number: Des. 370,193**

[45] **Date of Patent: \*\*May 28, 1996**

[54] **CAMERA MOUNT FOR BICYCLES**

5,144,546 9/1992 Burdi .

5,423,509 6/1995 LaPorte et al. .... 224/30 A

[76] Inventor: **Christopher N. Shull**, PSC 1003, Box 2, FPO AE, 09728-0302

*Primary Examiner*—Alan P. Douglas

*Assistant Examiner*—Linda Brooks

*Attorney, Agent, or Firm*—Dennis H. Lambert

[\*\*] Term: **14 Years**

[21] Appl. No.: **34,118**

[57] **CLAIM**

[22] Filed: **Jan. 27, 1995**

The ornamental design for a camera mount for bicycles, as shown and described.

[52] U.S. Cl. .... **D12/114**

[58] Field of Search ..... D16/242, 244;  
D12/114; 224/30 A, 30 R, 41, 0.5, 901,  
908; 211/5, 17, 122

**DESCRIPTION**

FIG. 1 is a front, top and side perspective view of the camera mount for bicycles embodying the design of the present invention;

FIG. 2 is a side elevational view thereof;

FIG. 3 is a left end elevational view thereof, as taken in FIG. 2;

FIG. 4 is a right end elevational view thereof, as taken in FIG. 2;

FIG. 5 is a top plan view thereof; and,

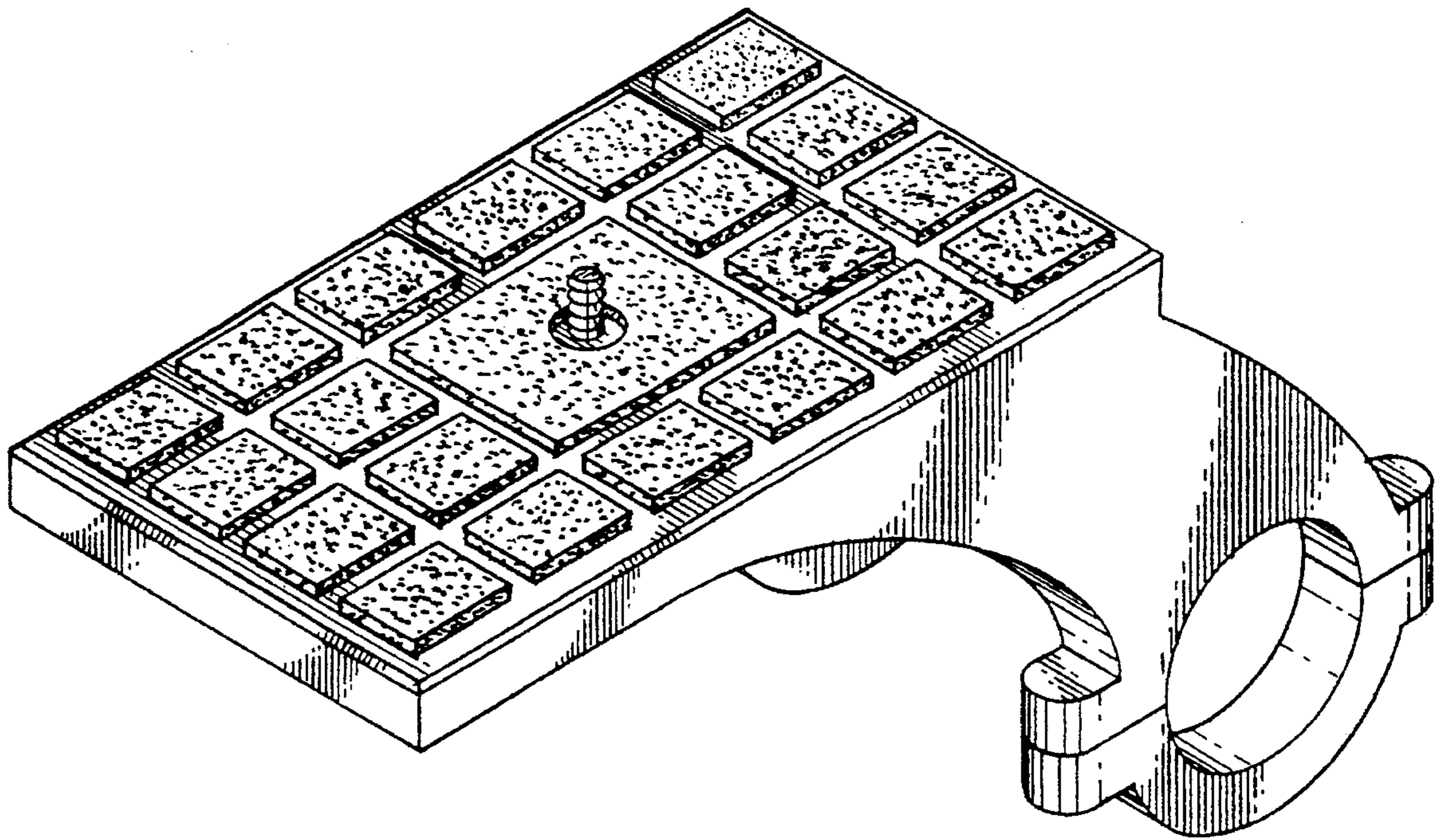
FIG. 6 is a bottom plan view thereof.

[56] **References Cited**

**U.S. PATENT DOCUMENTS**

D. 312,808	12/1990	Rankin .....	D12/114
3,598,295	8/1971	Seegers .	
4,403,717	9/1983	Clover .	
4,462,525	7/1984	Pingleton et al. .	
4,473,177	9/1984	Parandes .	
4,697,772	10/1987	Kosugi et al. ....	D16/244 X
4,981,243	1/1991	Rogowski .	

**1 Claim, 3 Drawing Sheets**



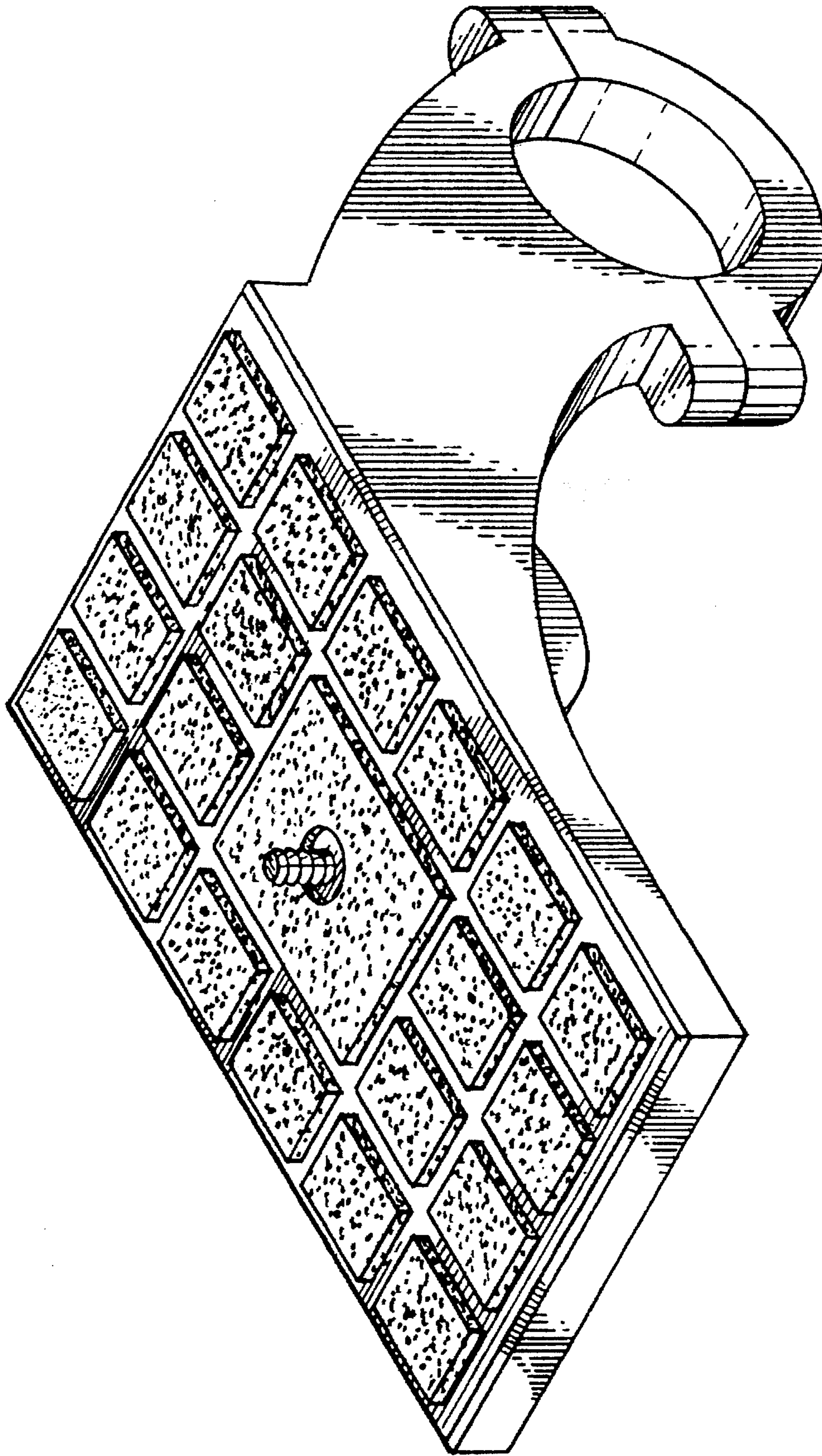


FIG. 1

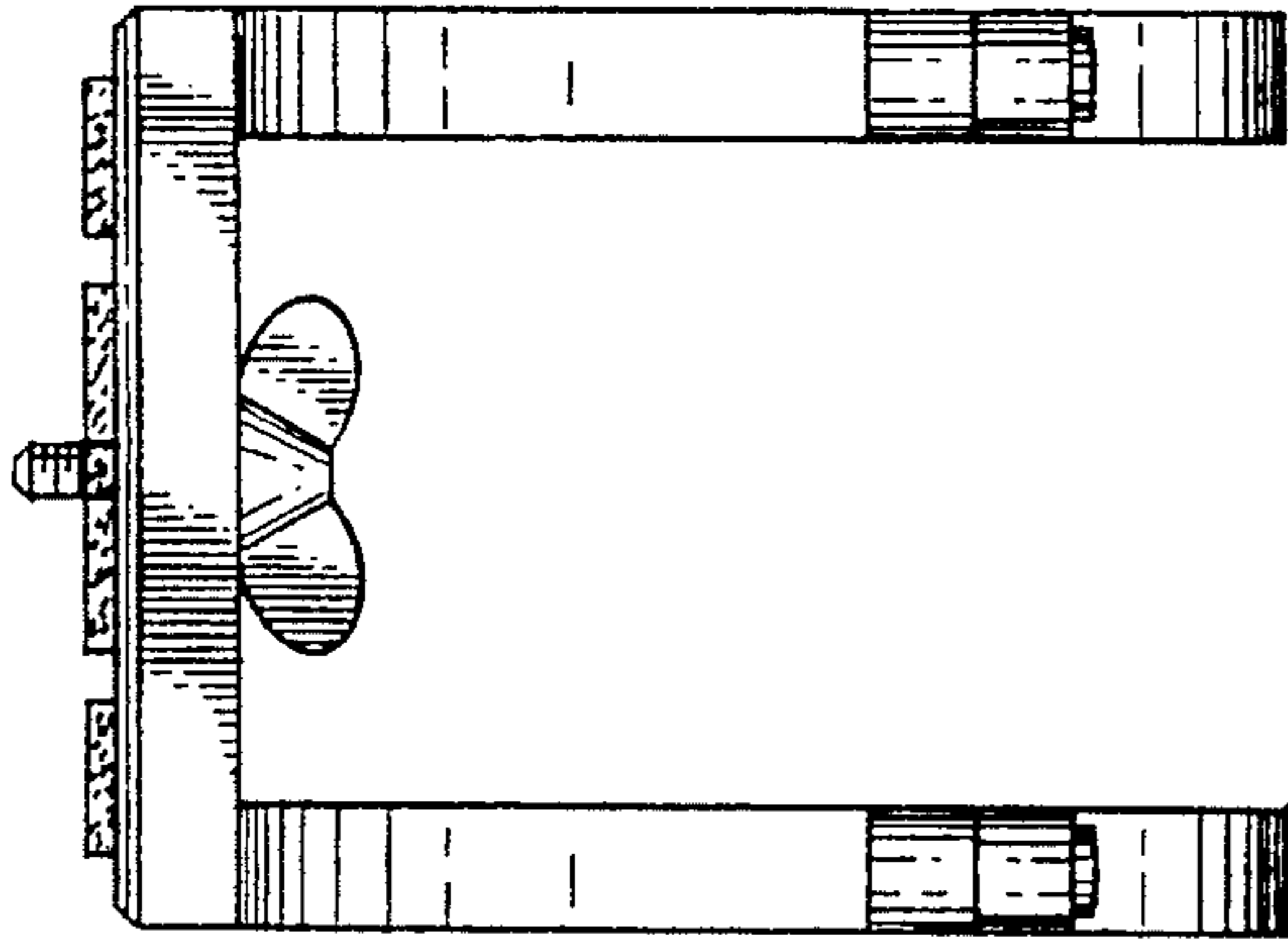


FIG. 4

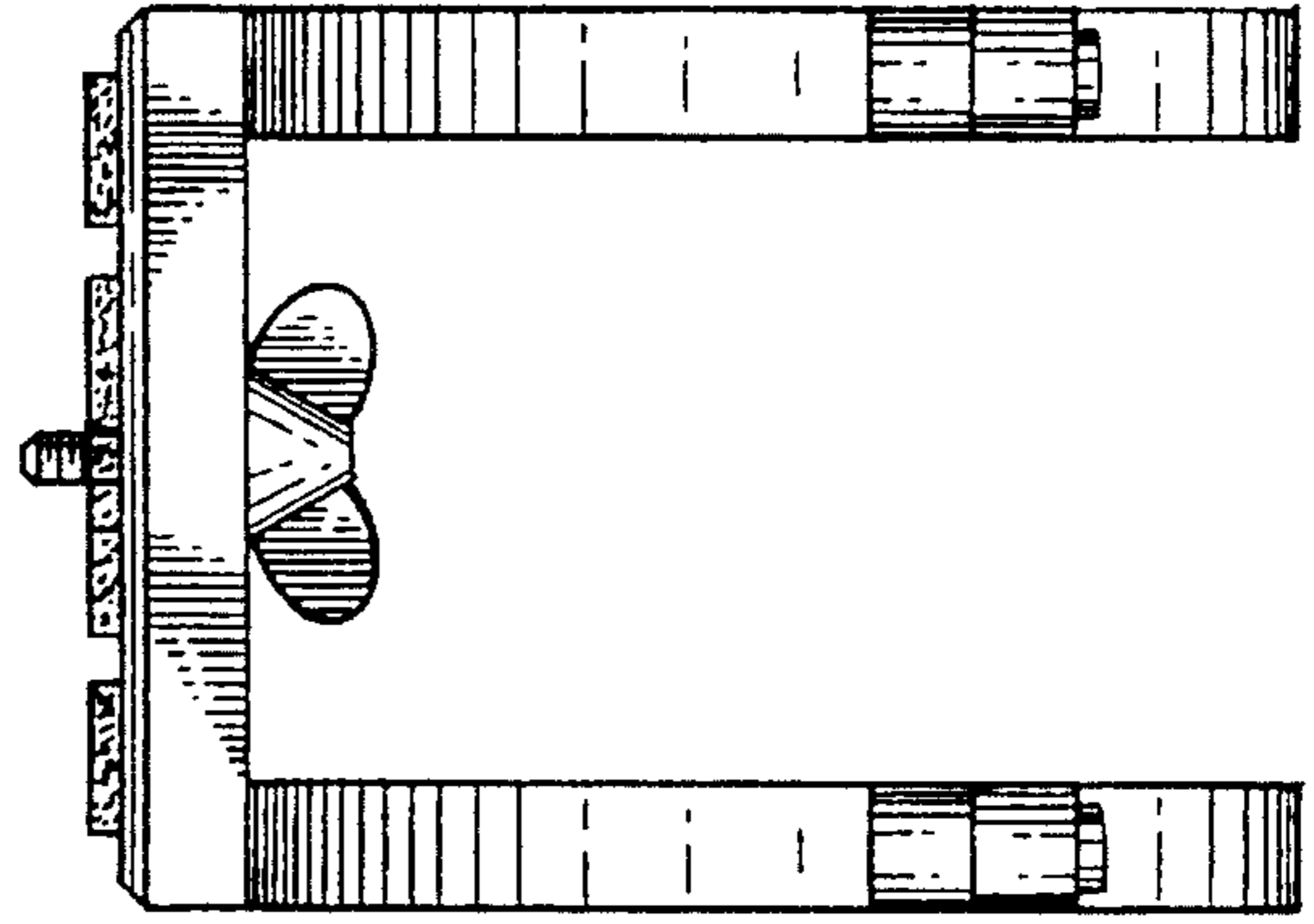


FIG. 3

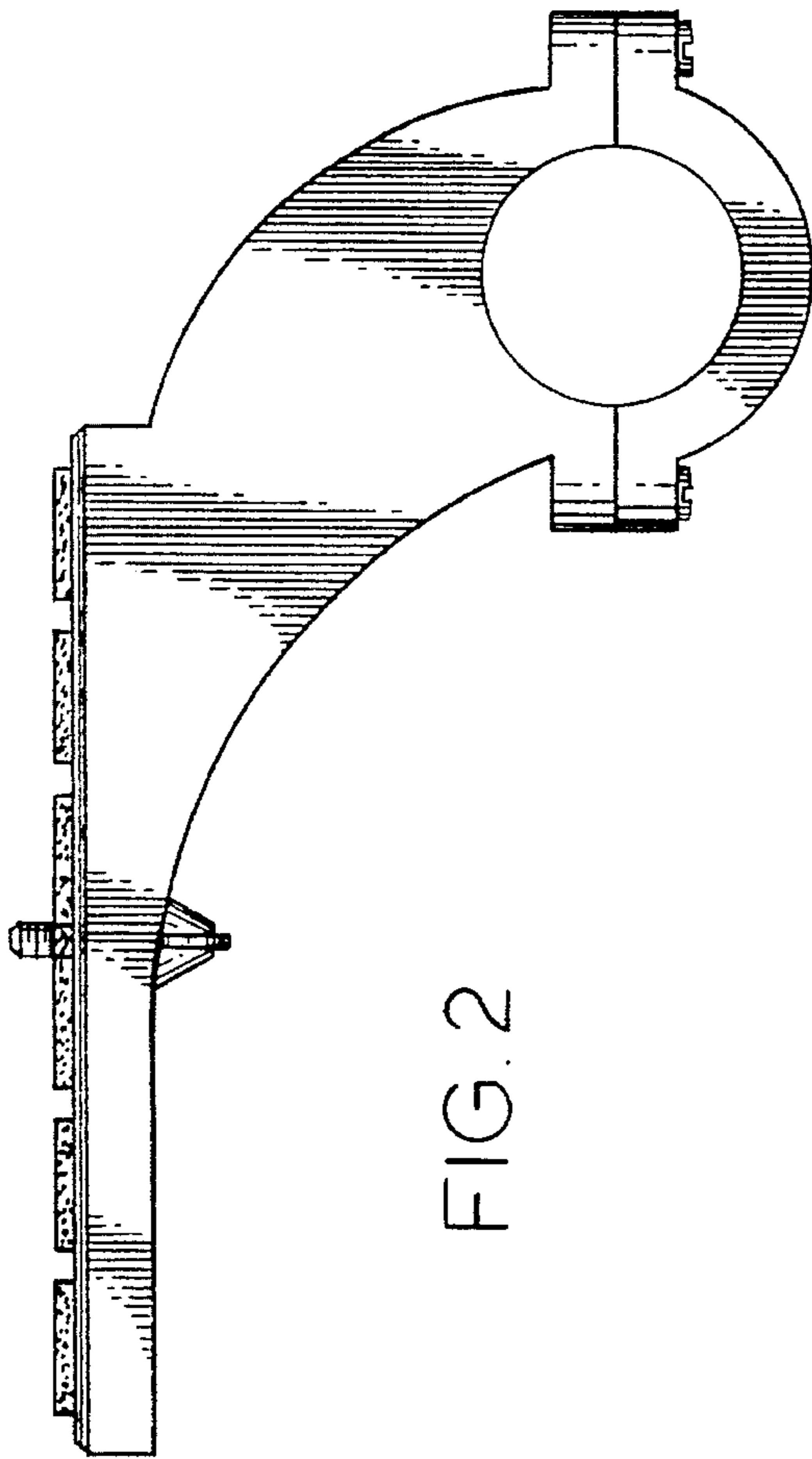


FIG. 2

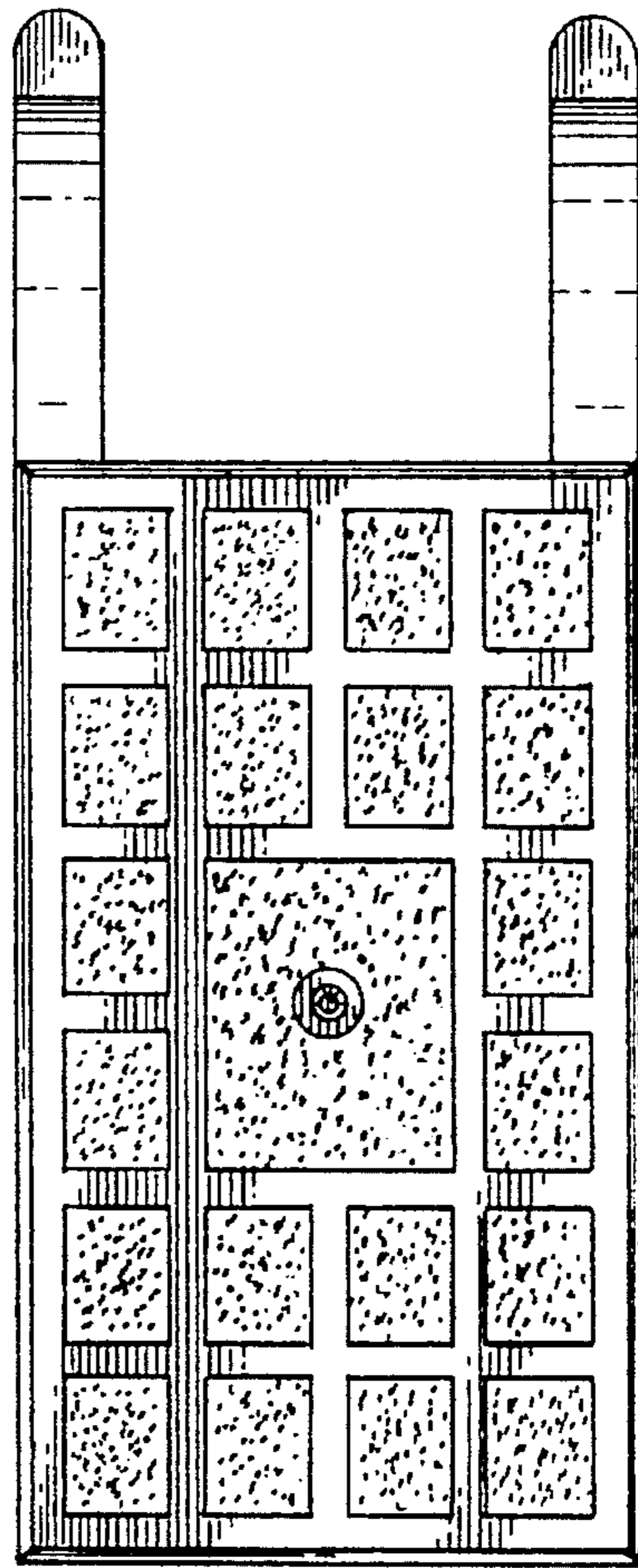


FIG. 5

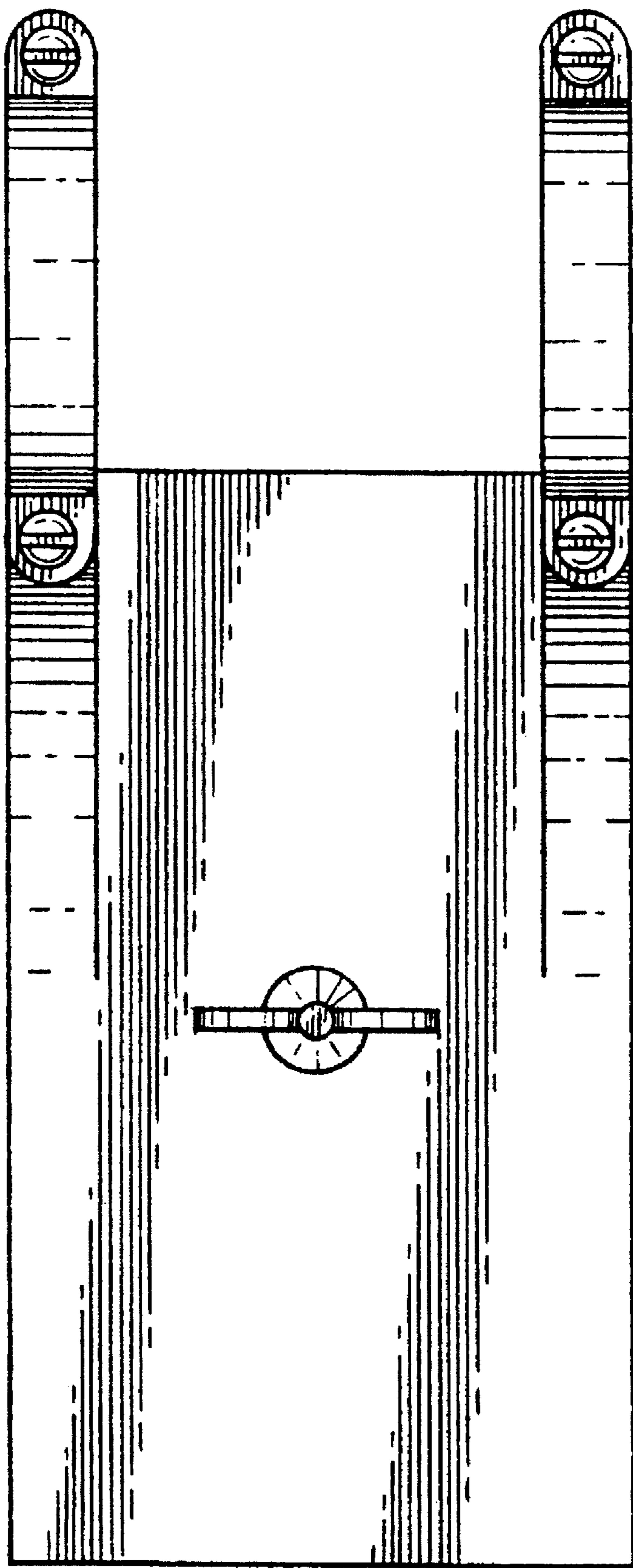


FIG. 6