



US00D370185S

United States Patent [19]

Grimm et al.

[11] Patent Number: **Des. 370,185**

[45] Date of Patent: ****May 28, 1996**

[54] **ROTATING CHRISTMAS TREE STAND**

[76] Inventors: **Michael Grimm; Marilyn Grimm**,
both of 26485 S. Harms Rd., Canby,
Oreg. 97013

[**] Term: **14 Years**

[21] Appl. No.: **27,967**

[22] Filed: **Sep. 2, 1994**

[52] U.S. Cl. **D11/130.1**

[58] Field of Search **D11/130.1; 47/40.5;**
248/519, 527

[56] **References Cited**

U.S. PATENT DOCUMENTS

- D. 165,928 2/1952 Parucki et al. D11/130.1
- D. 174,421 4/1955 Ford D11/130.1

- D. 189,100 10/1960 Berning et al. D11/130.1
- D. 221,969 9/1971 De Vries D11/130.1
- 3,591,114 7/1971 Beatty 40/47.5
- 5,350,149 9/1994 Evans, Jr. et al. 40/47.5

Primary Examiner—Dominic Simone
Attorney, Agent, or Firm—Richard A. Joel

[57] **CLAIM**

The ornamental design for a rotating Christmas tree stand, as shown.

DESCRIPTION

FIG. 1 is a perspective view of the rotating Christmas tree stand comprising the invention;
FIG. 2 is a front view of the invention;
FIG. 3 is a bottom view of the invention; and,
FIG. 4 is top view of the invention.

1 Claim, 2 Drawing Sheets

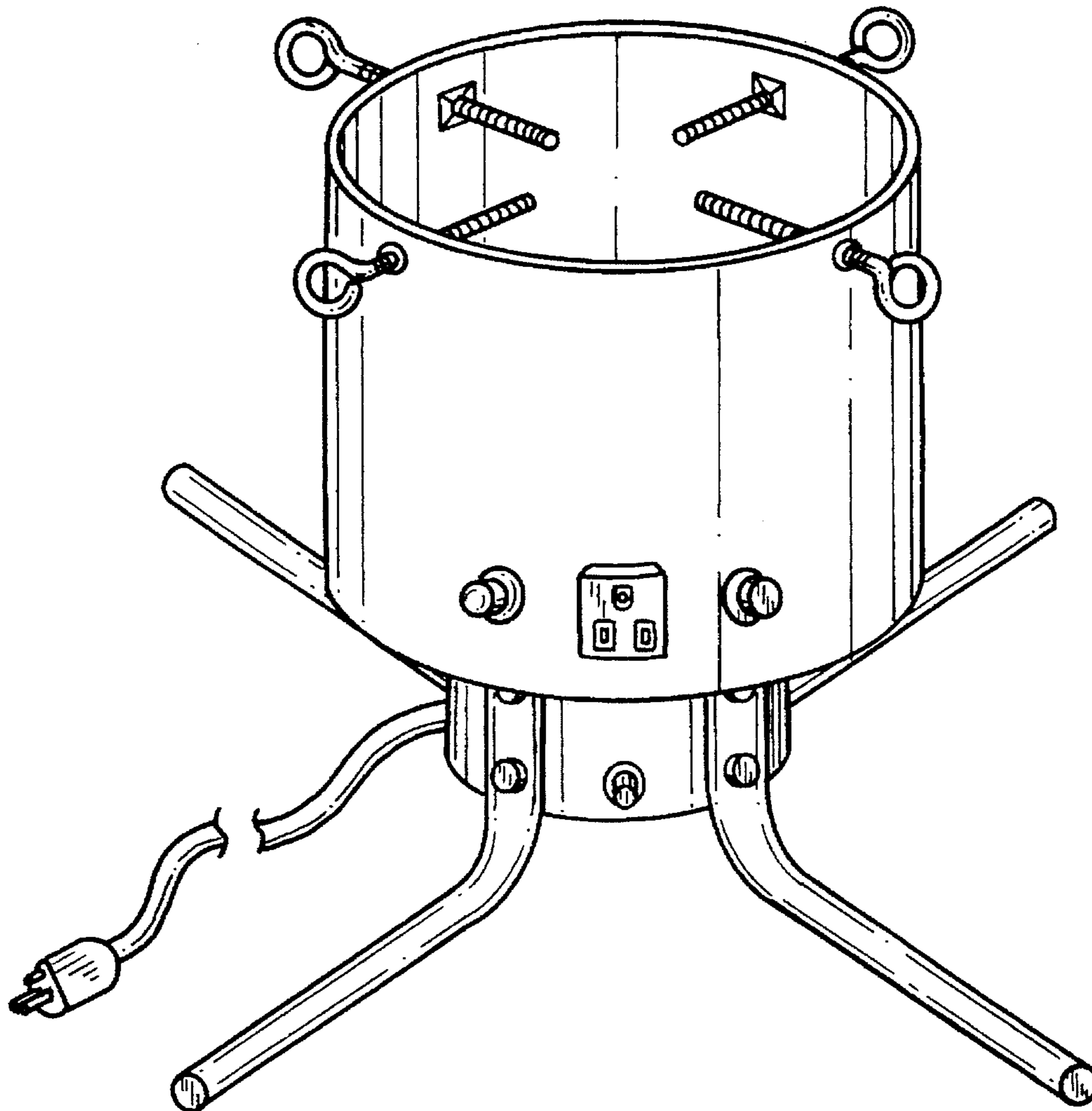


FIG. 1

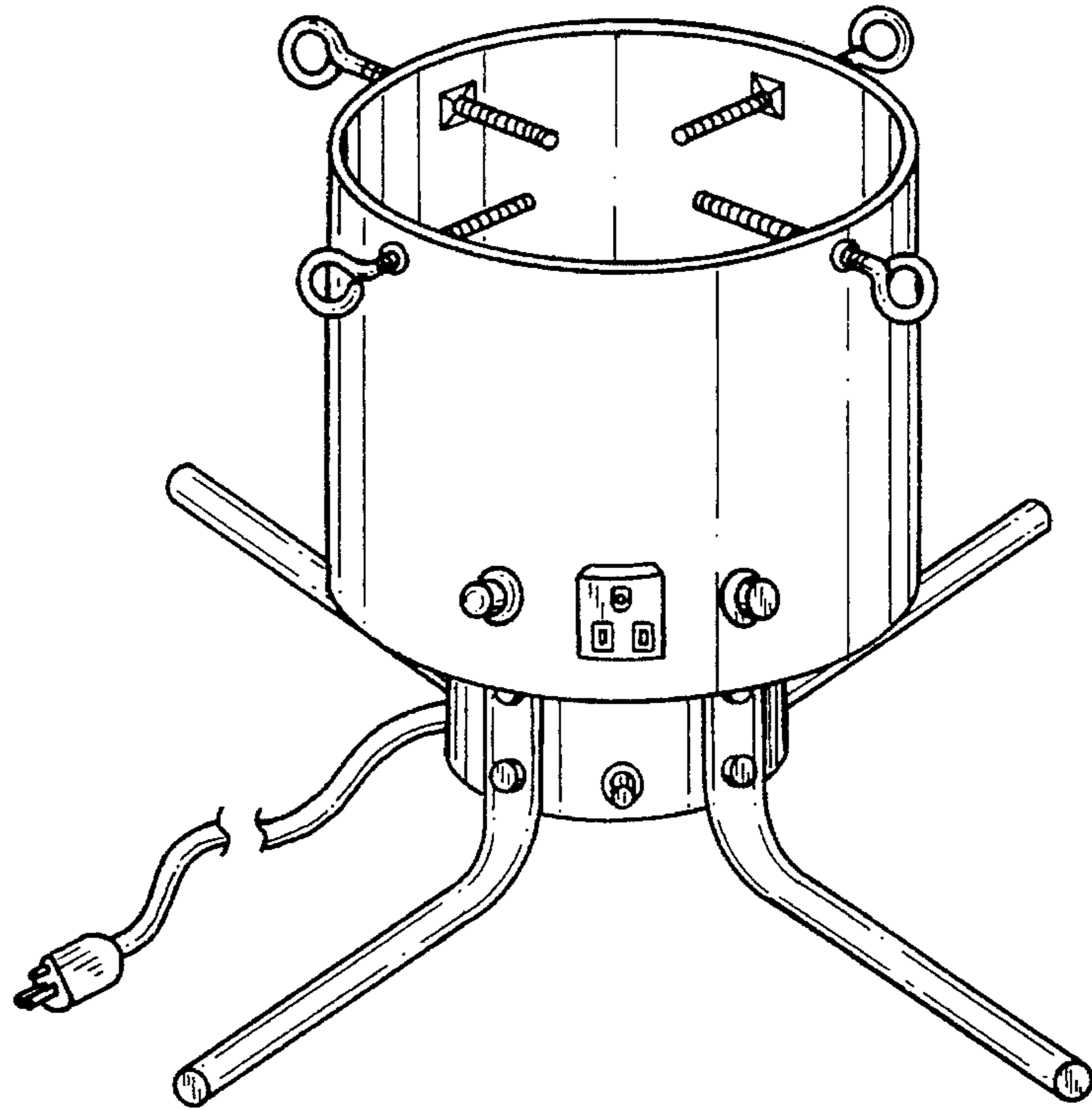


FIG. 2

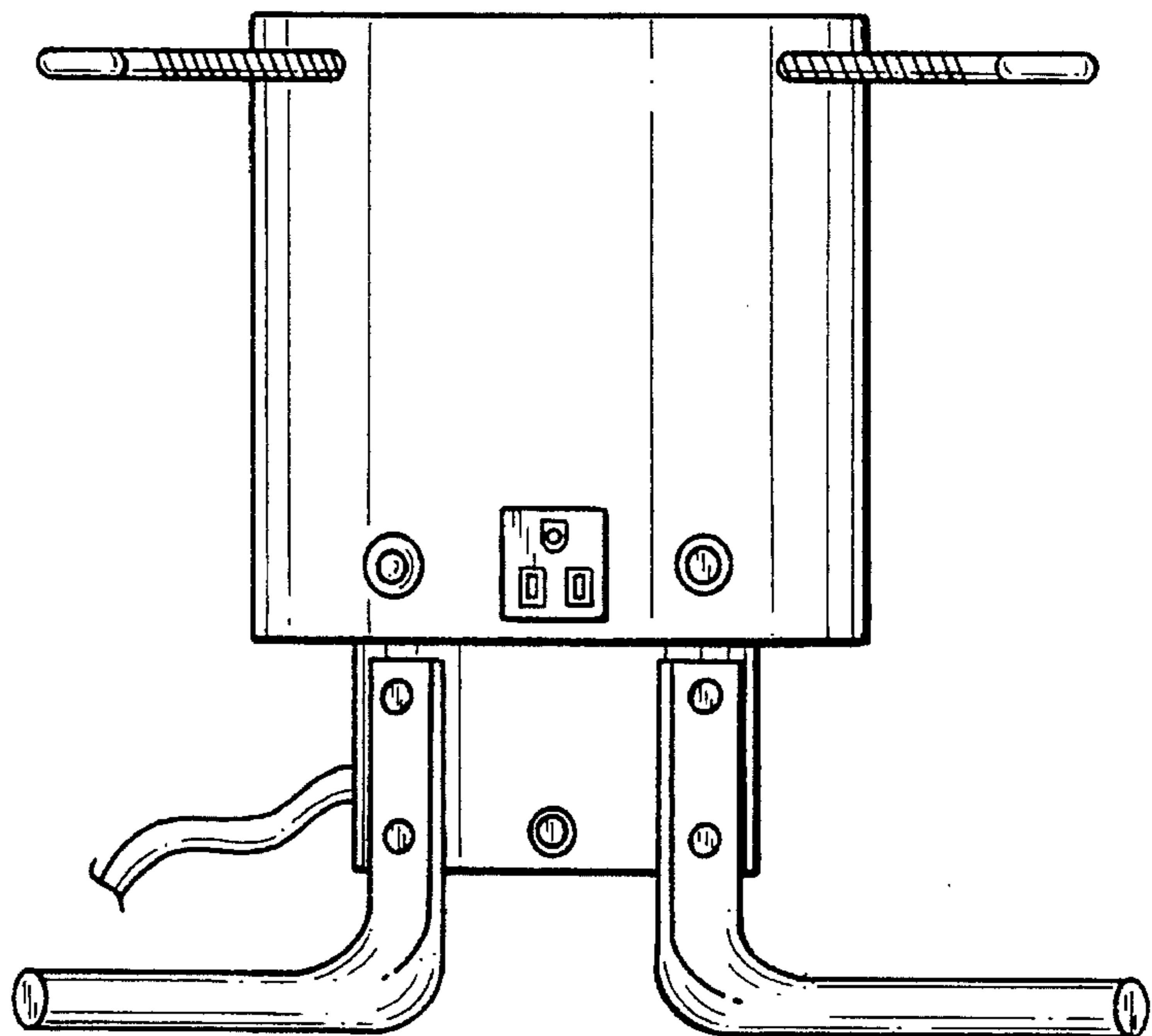


FIG. 3

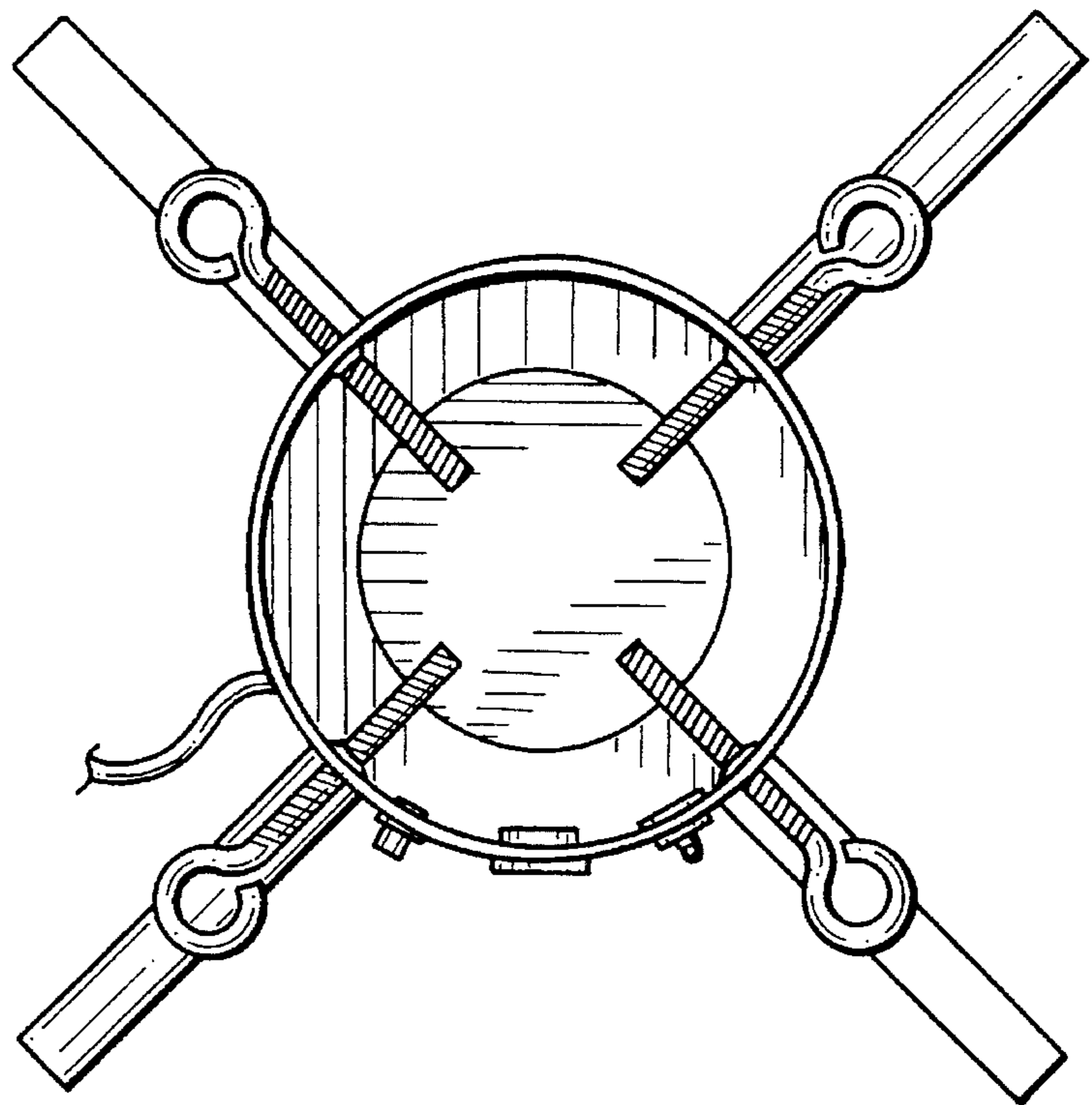


FIG. 4

