



US00D370183S

**United States Patent** [19]  
**Christensen**

[11] **Patent Number: Des. 370,183**

[45] **Date of Patent: \*\*May 28, 1996**

[54] **INDOOR CHIMES** 5,072,208 12/1991 Christensen ..... 340/392

[76] Inventor: **John J. Christensen**, 349 Scenic Pl.,  
Manteca, Calif. 95337

*Primary Examiner*—A. Hugo Word  
*Assistant Examiner*—Marcus Jackson

[\*\*] Term: **14 Years**

[57] **CLAIM**

[21] Appl. No.: **32,499**

The ornamental design for an indoor chimes, as shown and described.

[22] Filed: **Dec. 20, 1994**

**DESCRIPTION**

[52] **U.S. Cl.** ..... **D10/118**

[58] **Field of Search** ..... D10/104, 109,  
D10/116, 118, 119; D11/141; D17/10, 99;  
116/141, 169; 84/403, 404, 406

FIG. 1 is a perspective view of an indoor chimes showing my new design;

FIG. 2 is a front elevation view thereof;

FIG. 3 is a rear elevation view thereof;

FIG. 4 is a right side elevation view thereof;

FIG. 5 is a left side elevation view thereof;

FIG. 6 is a top plan view thereof; and,

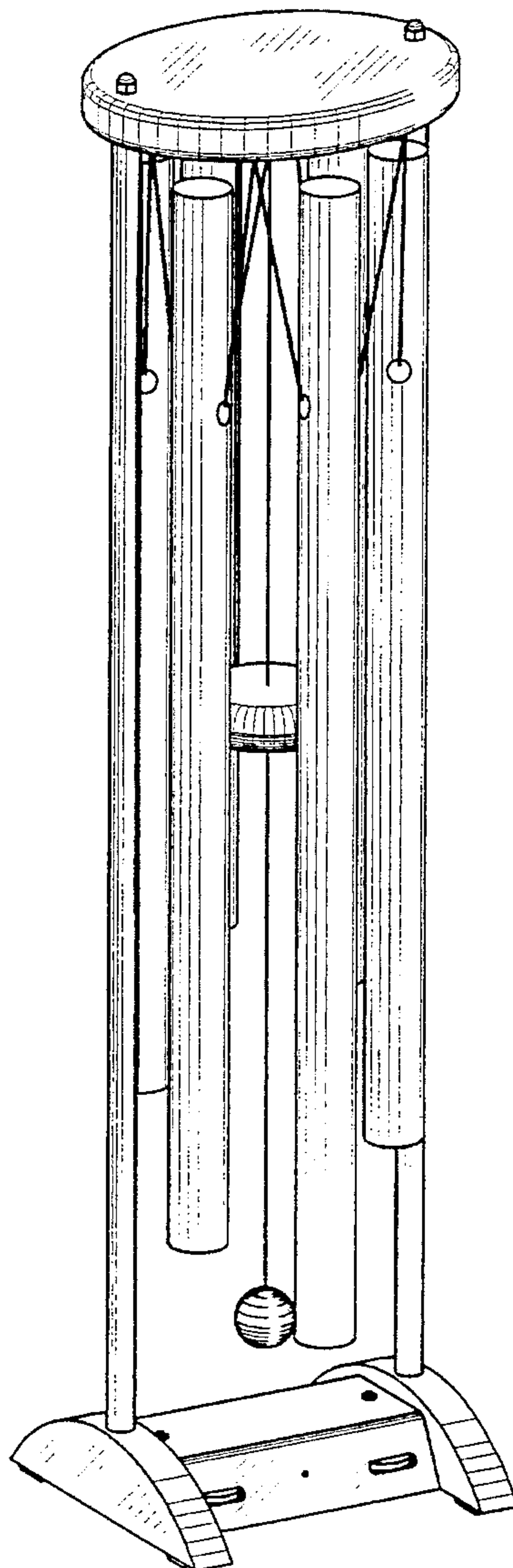
FIG. 7 is a bottom plan view thereof.

[56] **References Cited**

**U.S. PATENT DOCUMENTS**

D. 279,873	7/1985	Neely	.....	D11/141
D. 324,000	2/1992	Kvistad	.....	D10/118
D. 332,924	2/1993	Schutze	.....	D10/118
4,967,633	11/1990	Jewell, Jr.	.....	D10/119

**1 Claim, 6 Drawing Sheets**



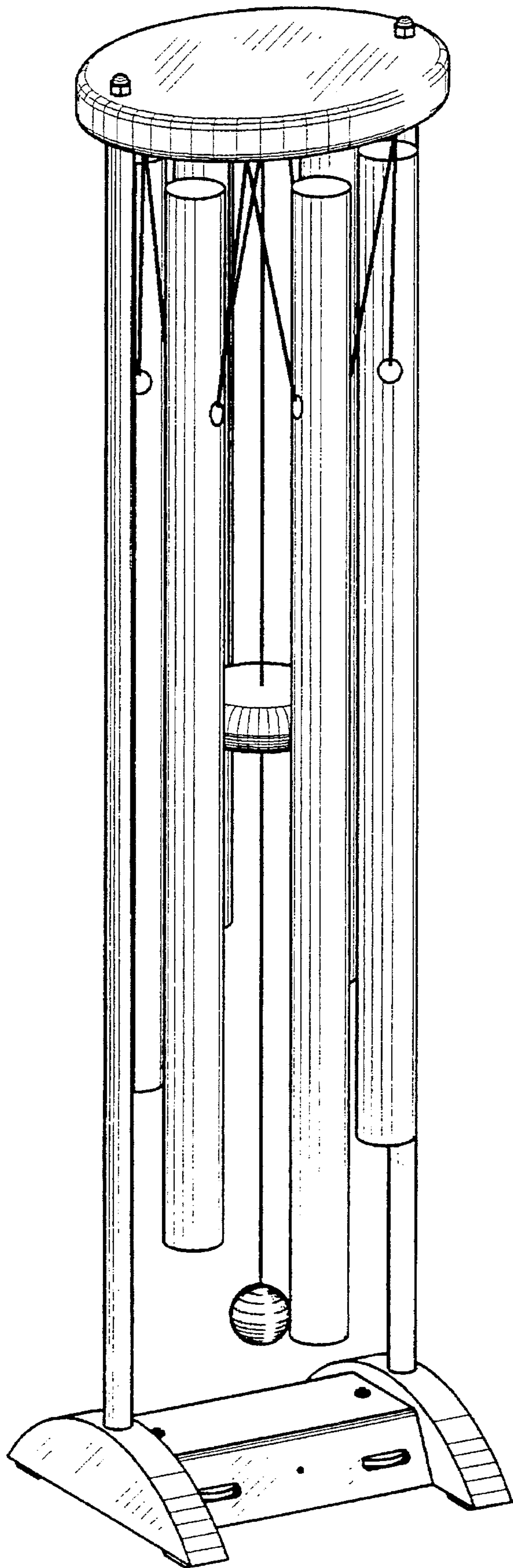


Fig. 1

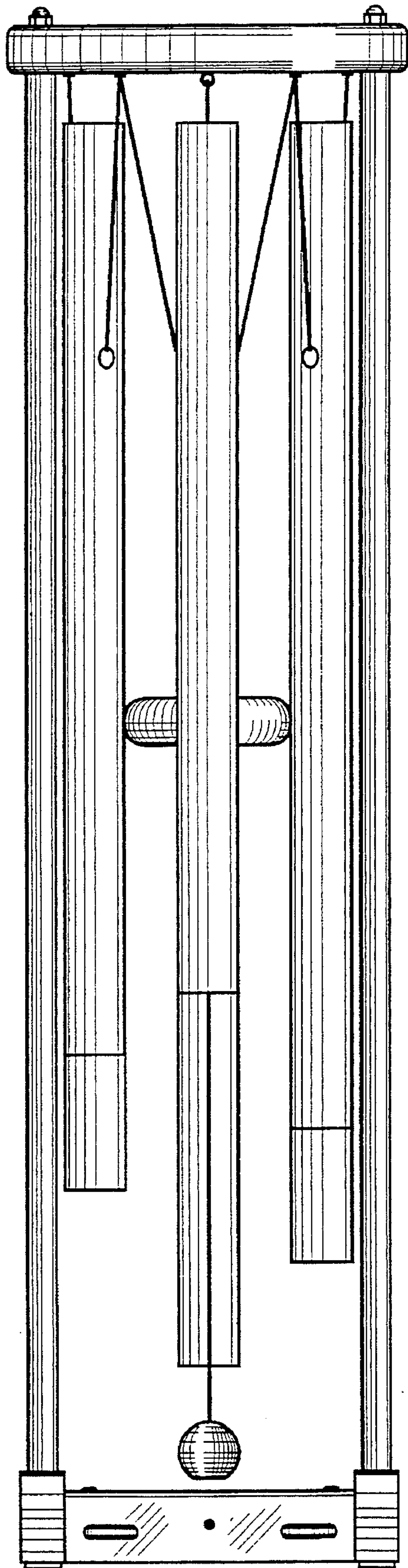


Fig. 2

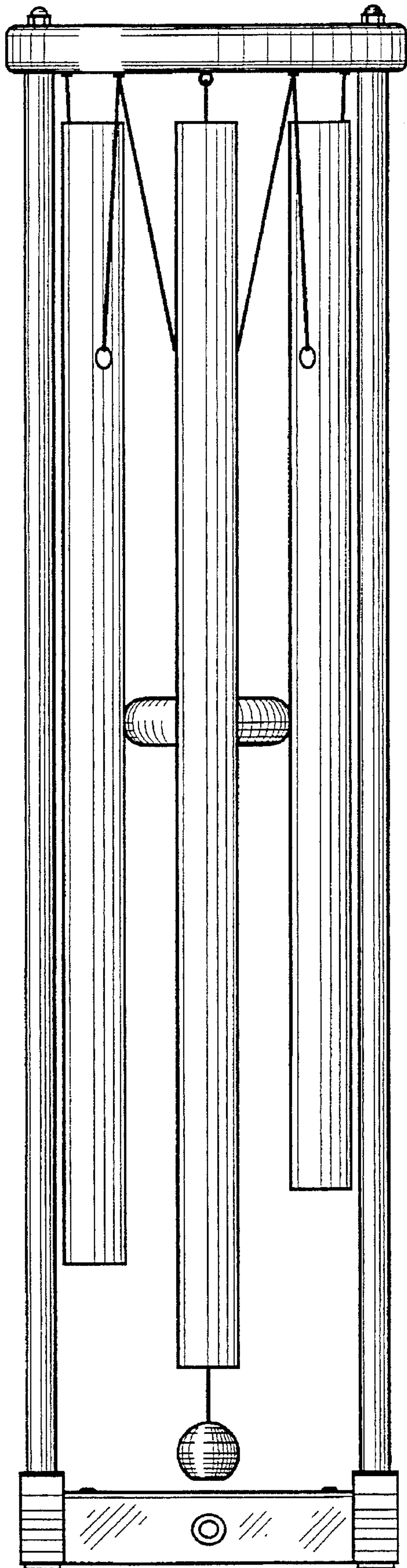


Fig. 3



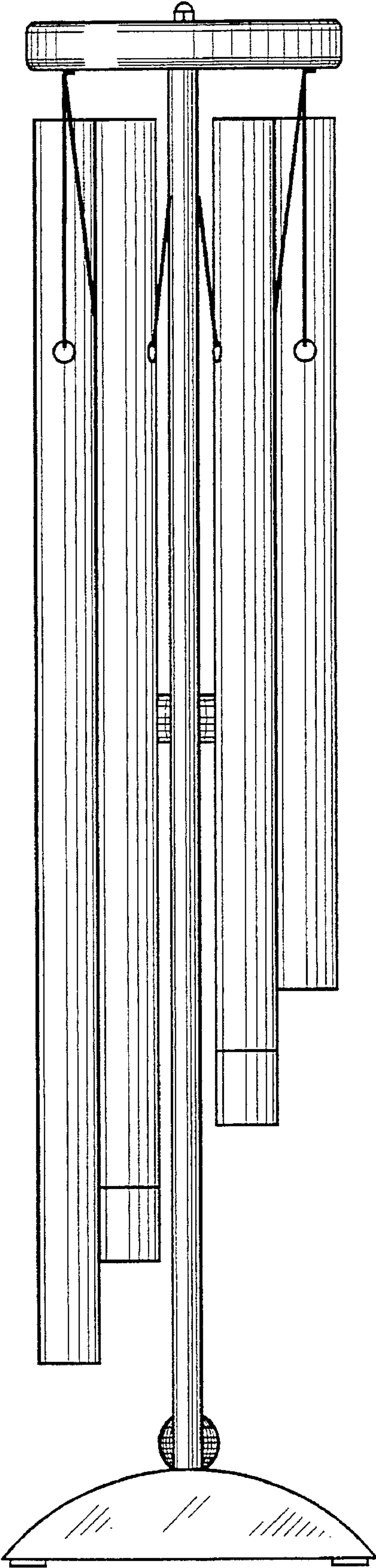


Fig. 4

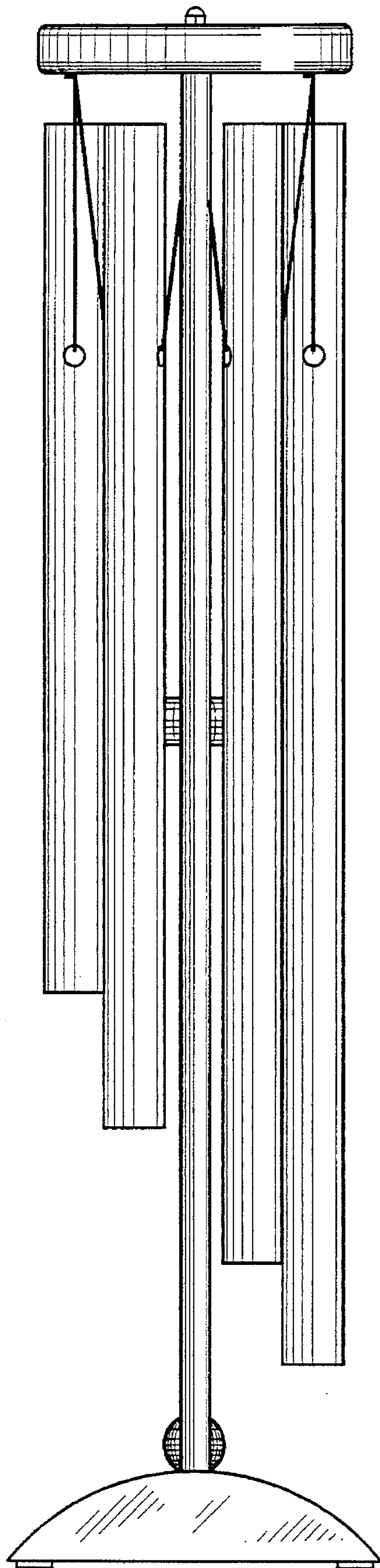
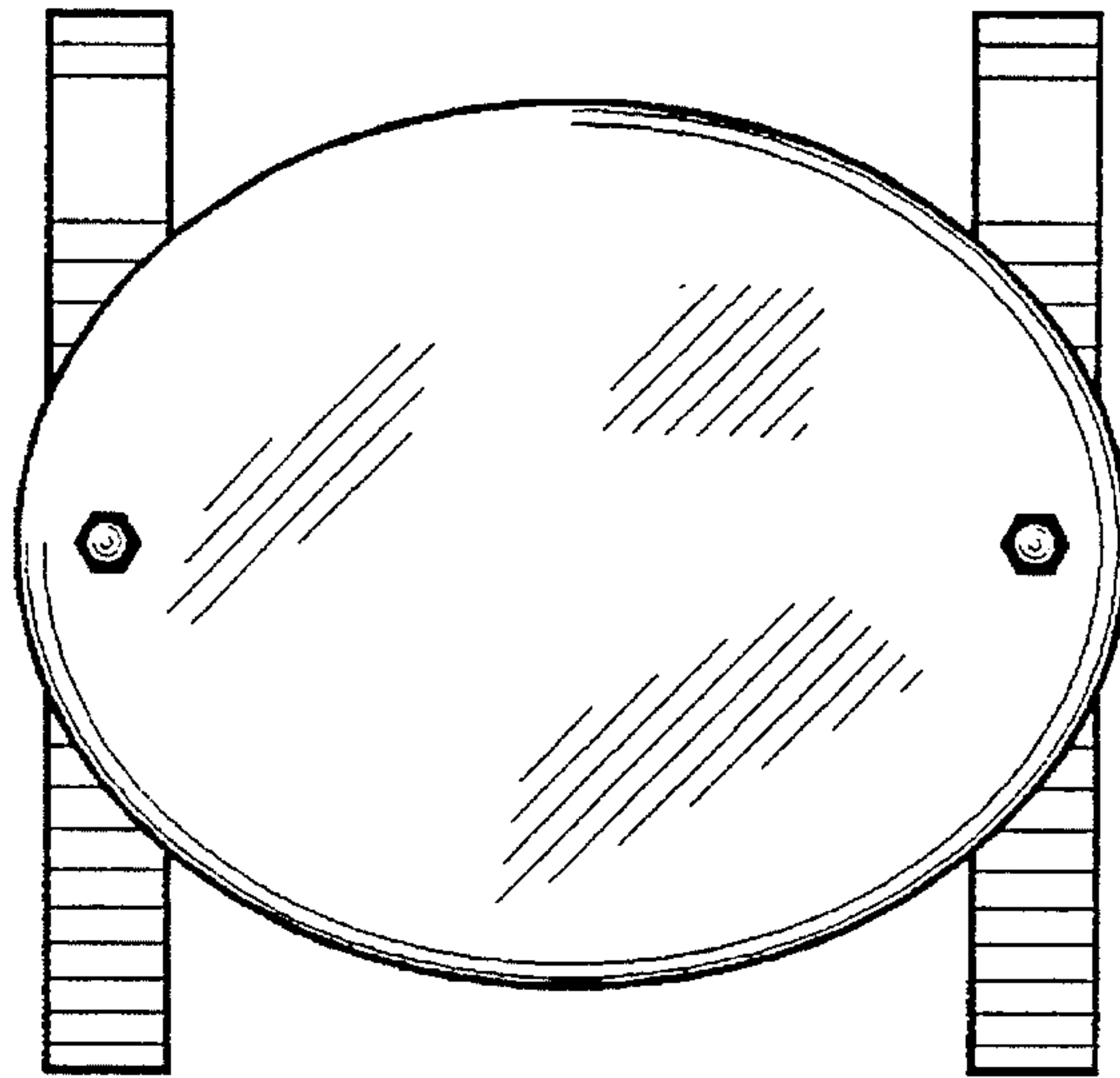
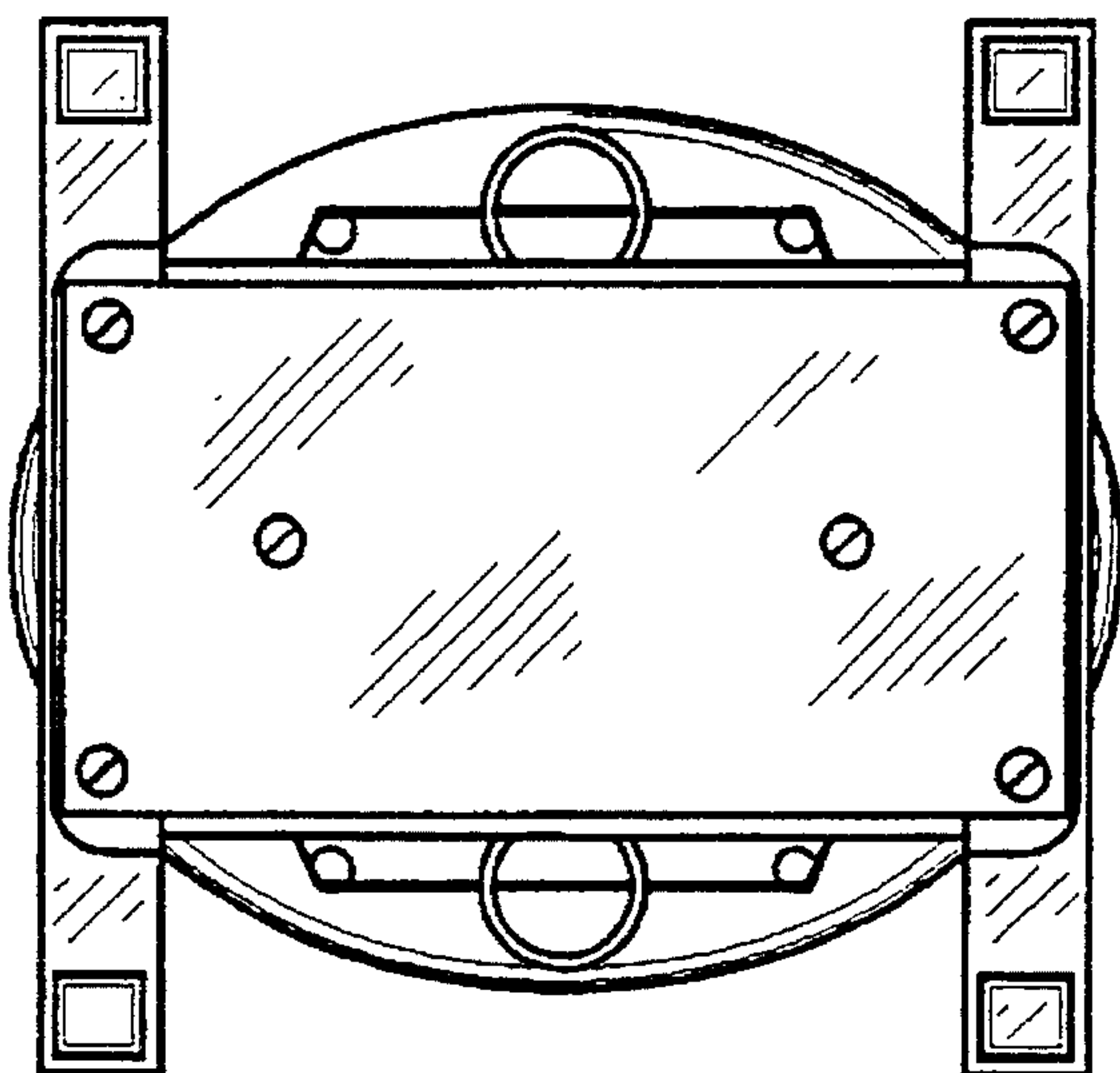


Fig. 5



**Fig. 6**



**Fig. 7**