



US00D370176S

# United States Patent [19] Wyslotsky

[11] Patent Number: **Des. 370,176**

[45] Date of Patent: **\*\*May 28, 1996**

[54] **PACKAGING CONTAINER**

[75] Inventor: **Ihor Wyslotsky**, Rolling Meadows, Ill.

[73] Assignee: **Cole's Quality Foods, Inc.**, Muskegon, Mich.

[\*\*] Term: **14 Years**

[21] Appl. No.: **21,984**

[22] Filed: **Apr. 26, 1994**

[52] U.S. Cl. .... **D9/425**

[58] Field of Search ..... D9/424, 425, 432,  
D9/341, 418; D3/304, 314, 905; 206/508,  
518, 557, 561, 563, 565, 203, 44.31; 220/23.6,  
23.4, 1.5

[56] **References Cited**

**U.S. PATENT DOCUMENTS**

- D. 229,329 11/1973 Jansen ..... D9/425 X
- D. 275,886 10/1984 Sheward et al. .... D9/425 X
- D. 276,026 10/1984 Hexamer ..... D9/425
- D. 351,063 10/1994 Fenelon ..... D3/304

- 3,151,799 10/1964 Engles, Jr. et al. .... D9/425 X
- 3,480,197 11/1969 Massey ..... D9/425 X
- 3,642,168 2/1972 Wiley, Jr. et al. .... 206/518

**OTHER PUBLICATIONS**

Lewis Stems, Jan. 1983, p. 6.

*Primary Examiner*—Prabhakar G. Deshmukh  
*Attorney, Agent, or Firm*—Hill, Steadman & Simpson

[57] **CLAIM**

The ornamental design for a packaging container, as shown.

**DESCRIPTION**

FIG. 1 is a front perspective view of a packaging container showing my new design;  
 FIG. 2 is a top view thereof;  
 FIG. 3 is a front side view thereof;  
 FIG. 4 is an end view thereof;  
 FIG. 5 is another end view thereof;  
 FIG. 6 is a bottom view thereof; and,  
 FIG. 7 is a rear side view thereof.

**1 Claim, 2 Drawing Sheets**

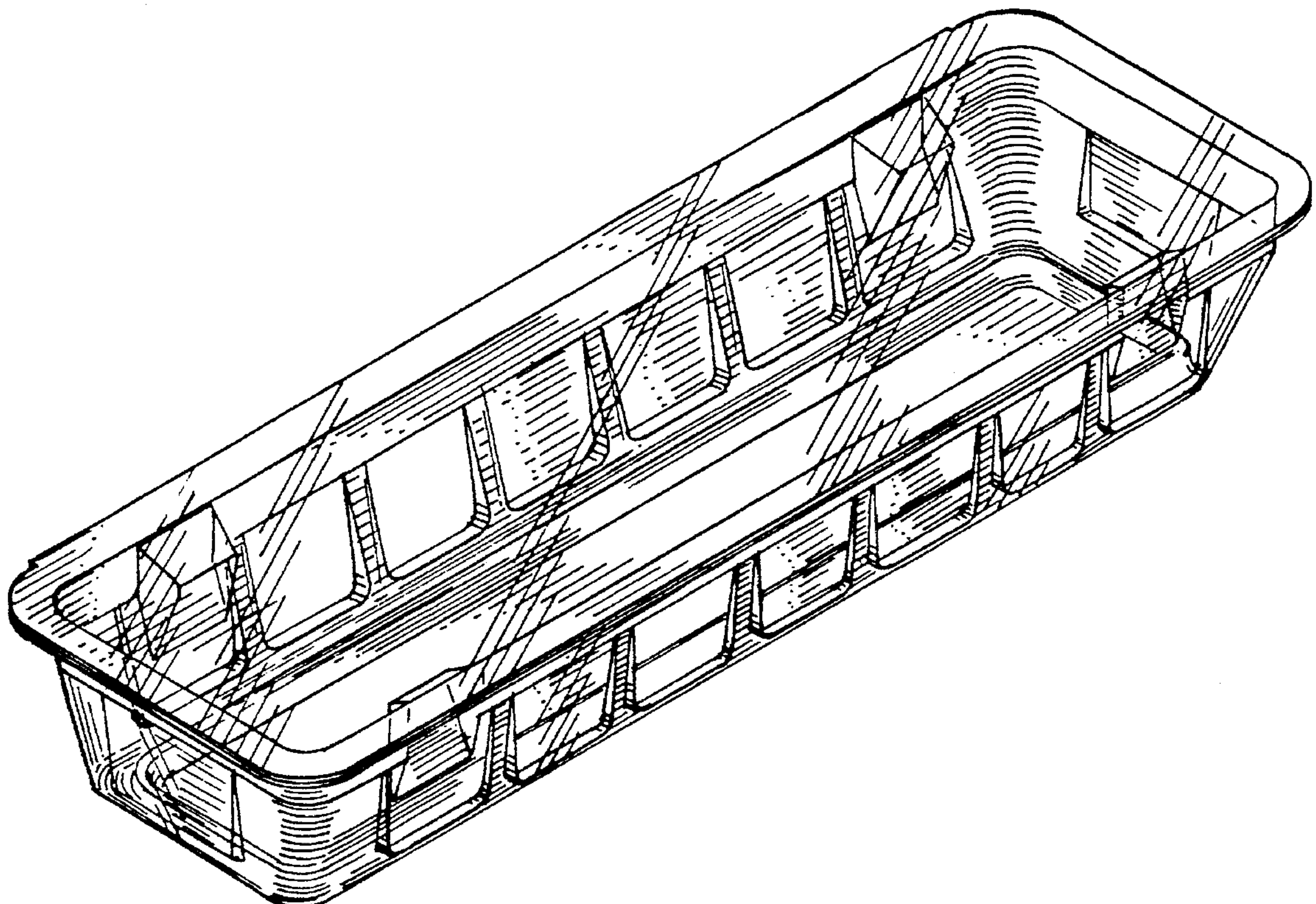


FIG. 1

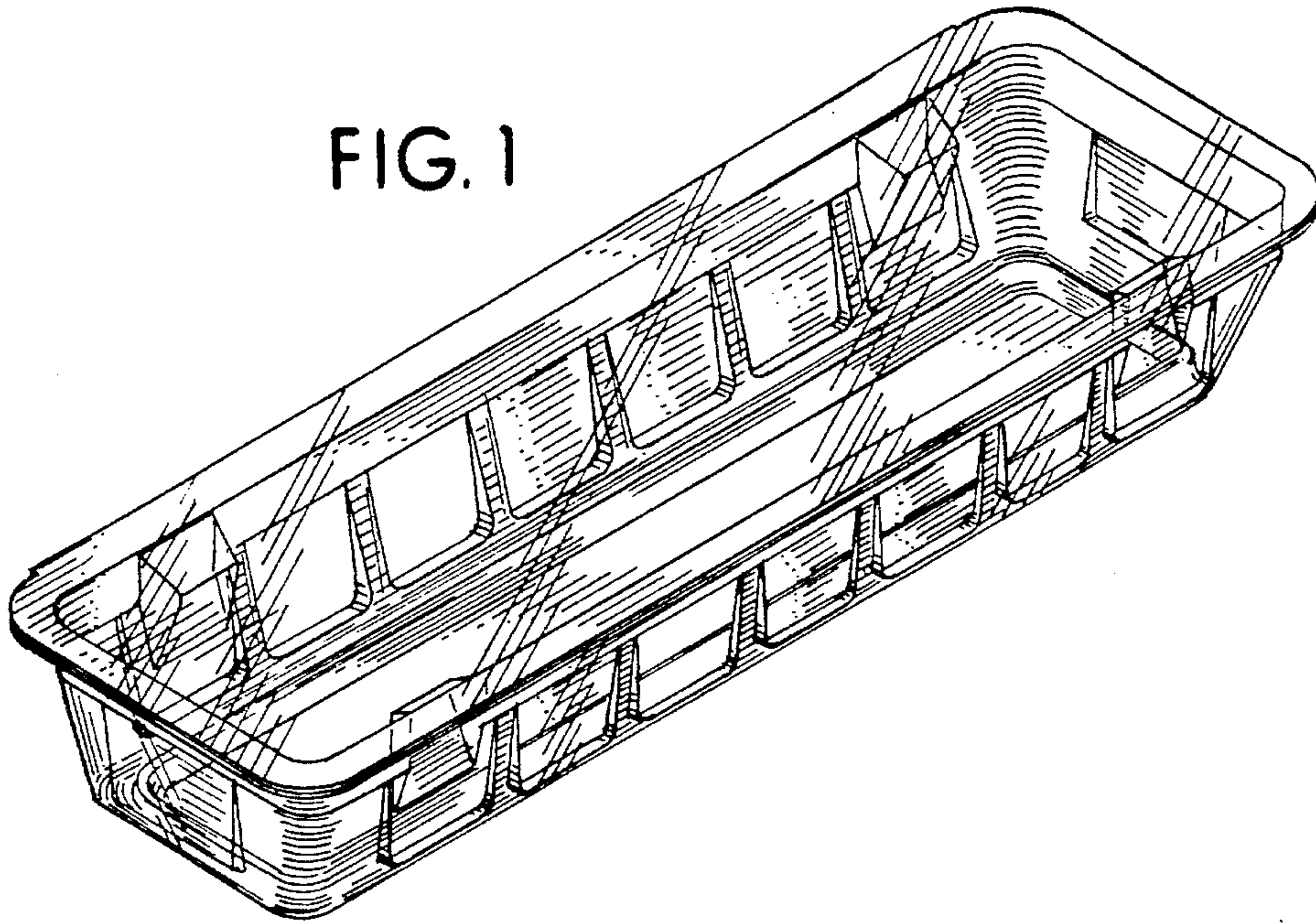


FIG. 2

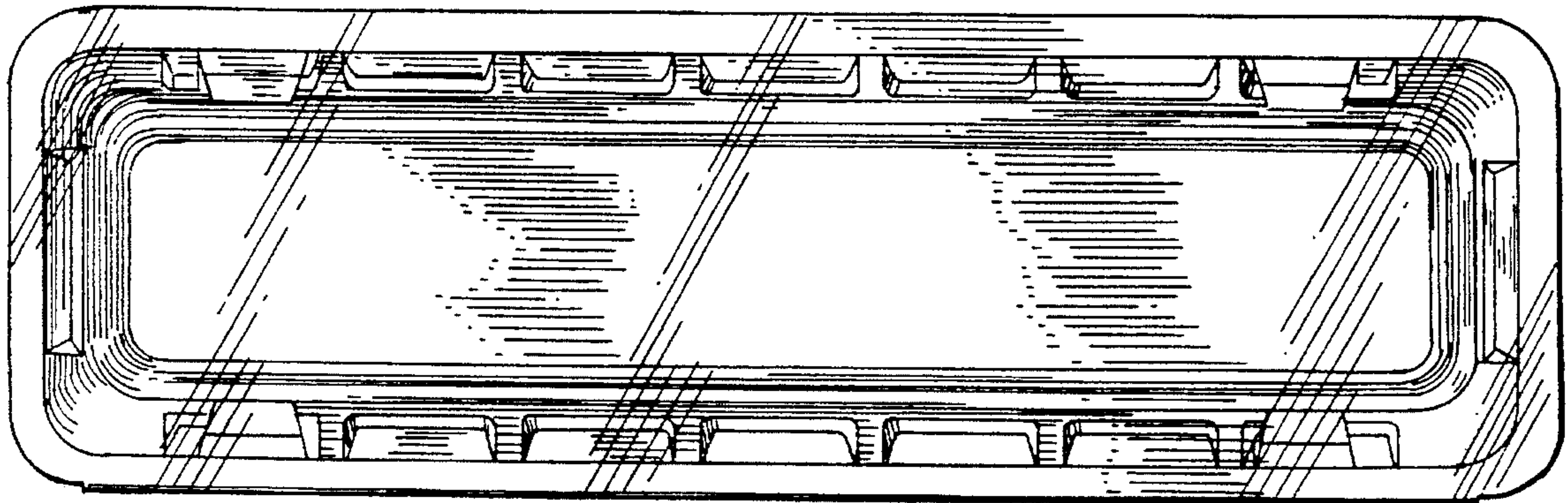


FIG. 3

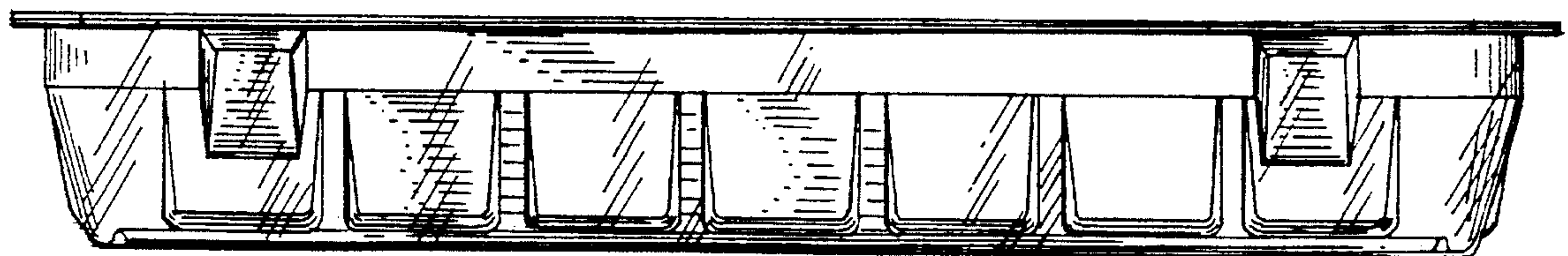




FIG. 4

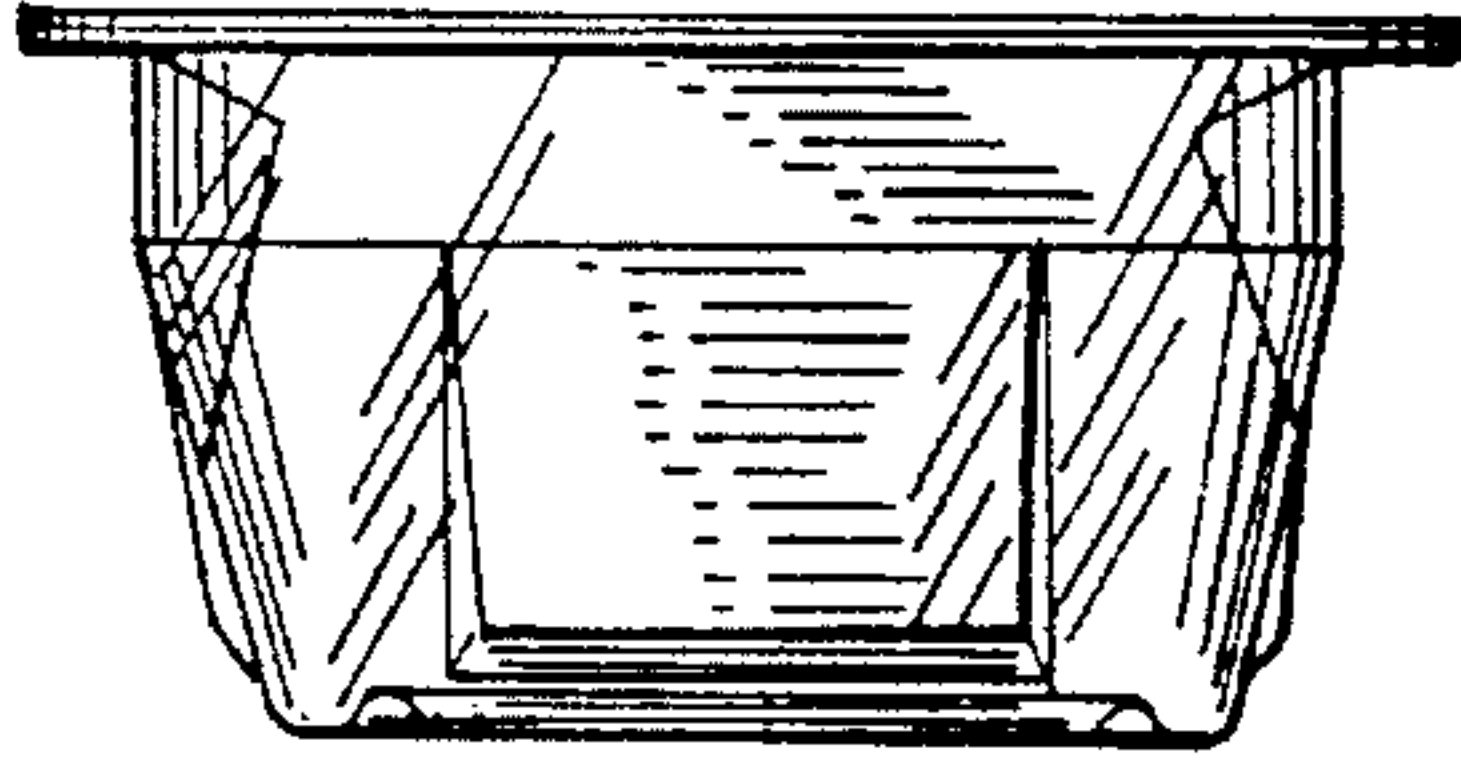


FIG. 5

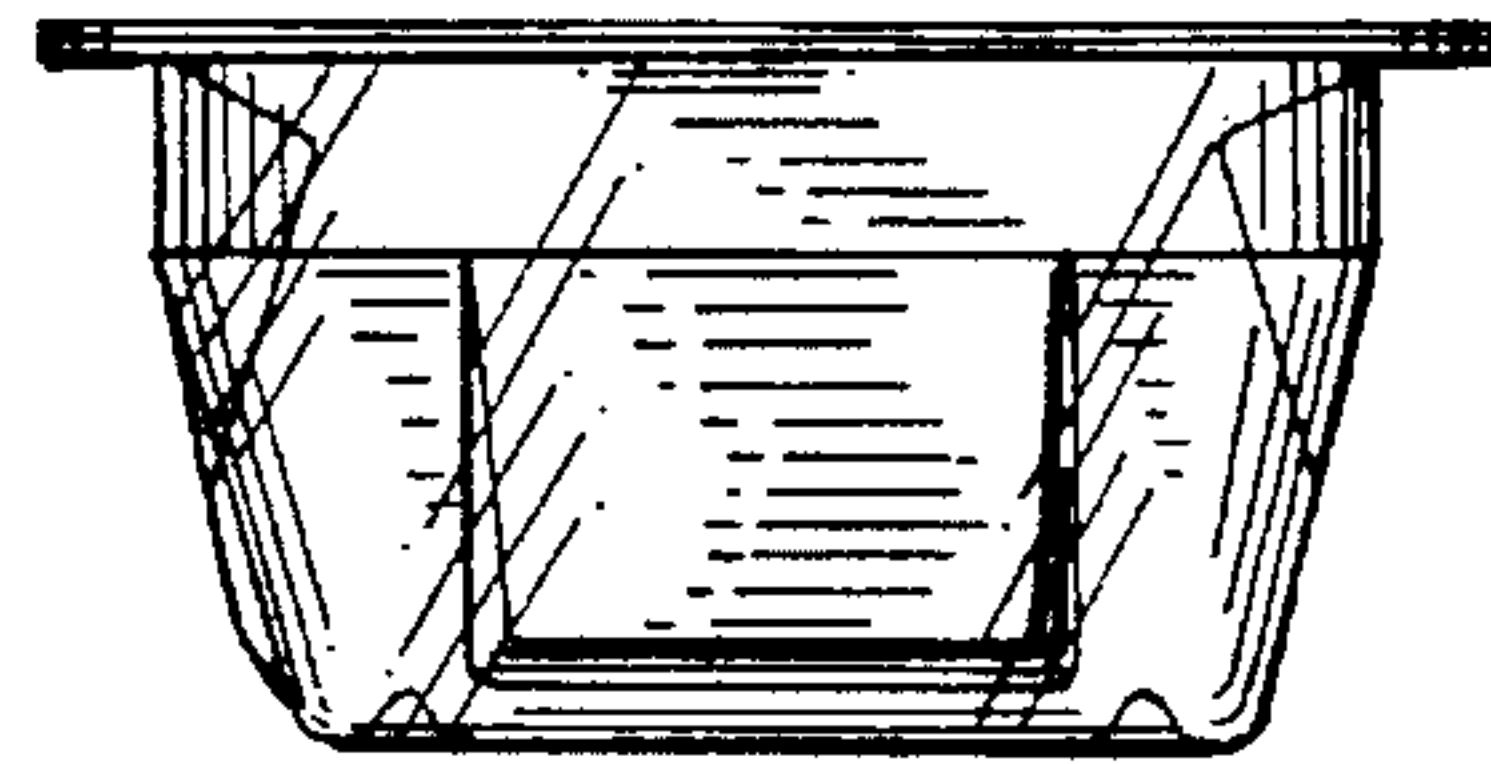


FIG. 6

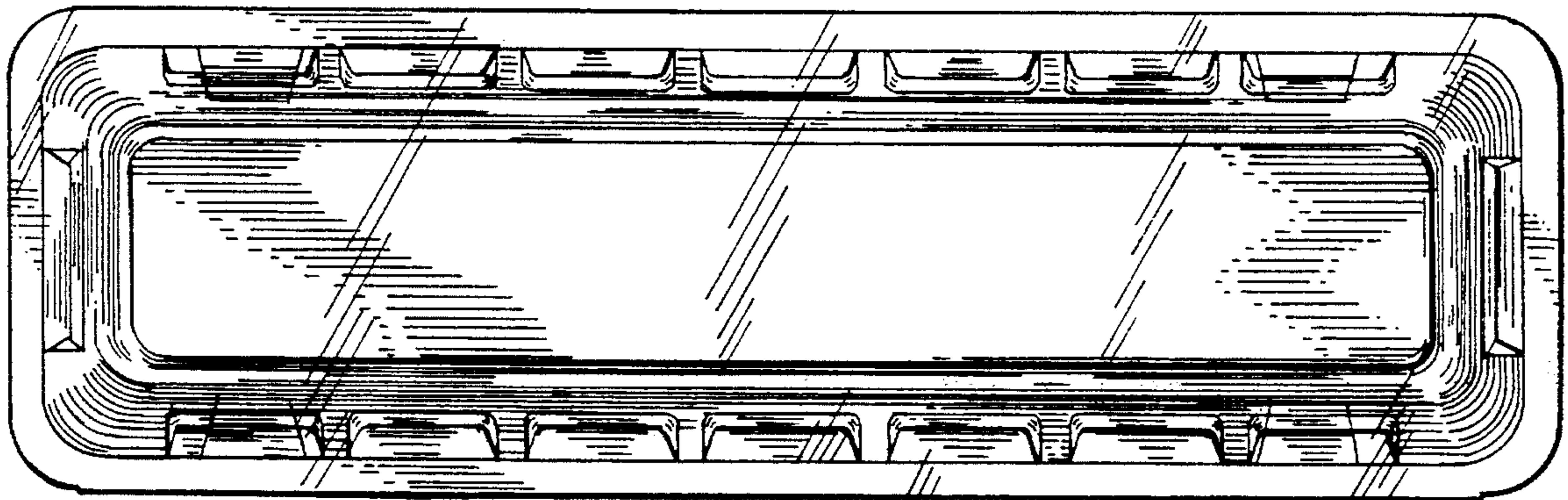


FIG. 7

