



US00D370175S

# United States Patent [19]

[11] Patent Number: **Des. 370,175**

McCallum et al.

[45] Date of Patent: **\*\*May 28, 1996**

[54] ASPARAGUS BOX

2,819,008	1/1958	White et al. ....	229/114 X
2,950,850	8/1960	Corcoran .....	229/114 X
3,482,680	12/1969	Bixler .....	229/114 X
4,127,228	11/1978	Hall .....	229/113 X
4,529,117	7/1985	Brundage .....	229/113 X
5,038,998	8/1991	Morris et al. ....	229/113 X

[76] Inventors: **Graham R. McCallum**, Skeet Road, R D 15; **Ian C. McCallum**, 4 Rainie Road, R D 11, both of Hawera, New Zealand

[\*\*] Term: **14 Years**

*Primary Examiner*—Prabhakar G. Deshmukh  
*Attorney, Agent, or Firm*—Young & Thompson

[21] Appl. No.: **14,140**

### [57] CLAIM

[22] Filed: **Oct. 13, 1993**

The ornamental design for an asparagus box, as shown and described.

### [30] Foreign Application Priority Data

May 4, 1993 [NZ] New Zealand ..... 25187

[52] U.S. Cl. .... **D9/418**

[58] Field of Search ..... D9/430, 431, 418, D9/341, 424, 414; 229/113, 23 R, 162, 120, 120.1, 108; 206/45.34, 508, 521.1

### DESCRIPTION

FIG. 1 is a front elevational view of an asparagus box showing our new design, the rear elevational view being the mirror image thereof;  
FIG. 2 is a perspective view thereof;  
FIG. 3 is a left side elevational view thereof, the right side elevational view being identical thereto; and,  
FIG. 4 is a top plan view thereof.

### [56] References Cited

#### U.S. PATENT DOCUMENTS

2,076,018	4/1937	Ferguson .....	229/113 X
2,749,011	6/1956	LeBow .....	229/113 X

**1 Claim, 2 Drawing Sheets**

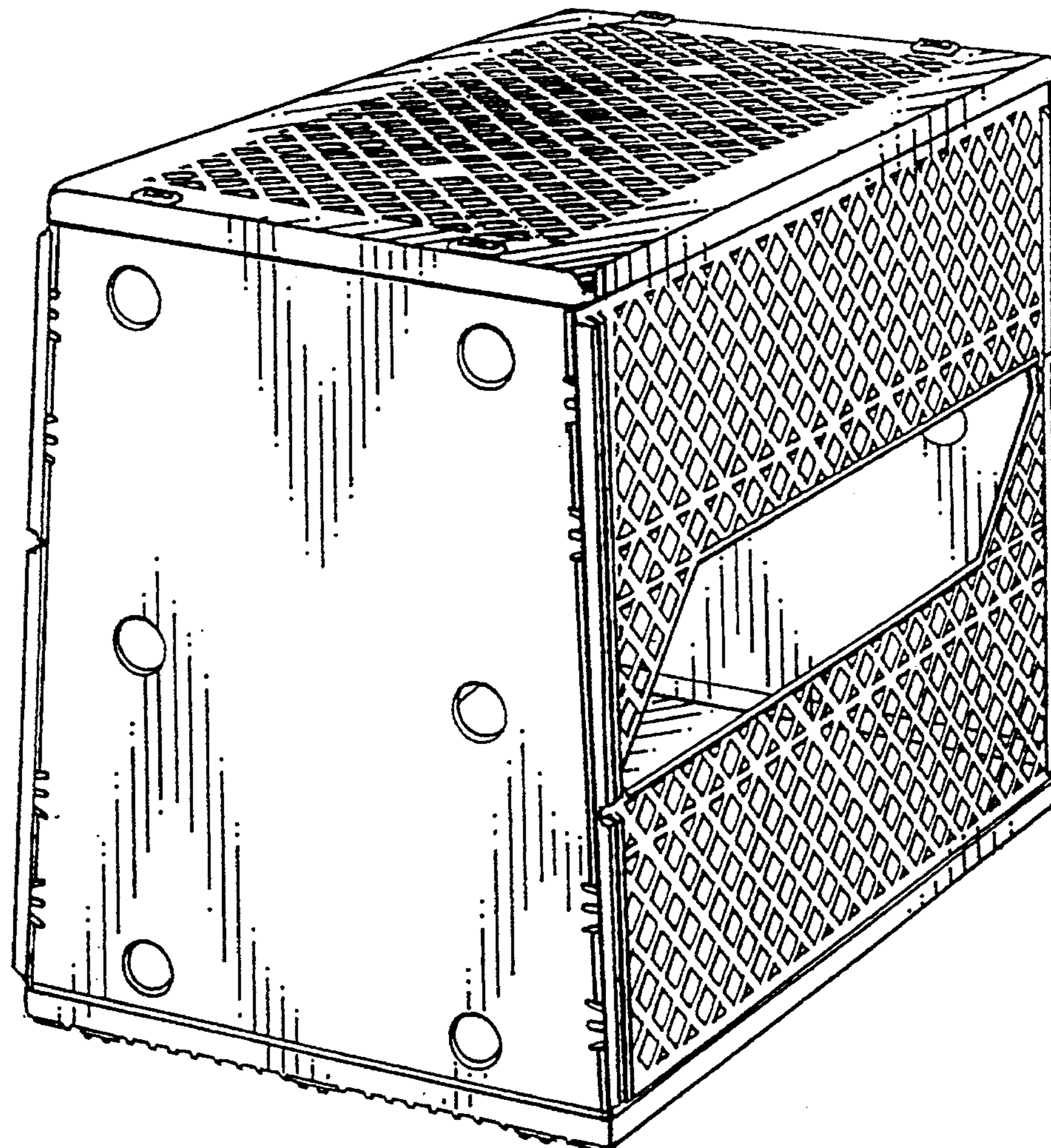


FIG.1

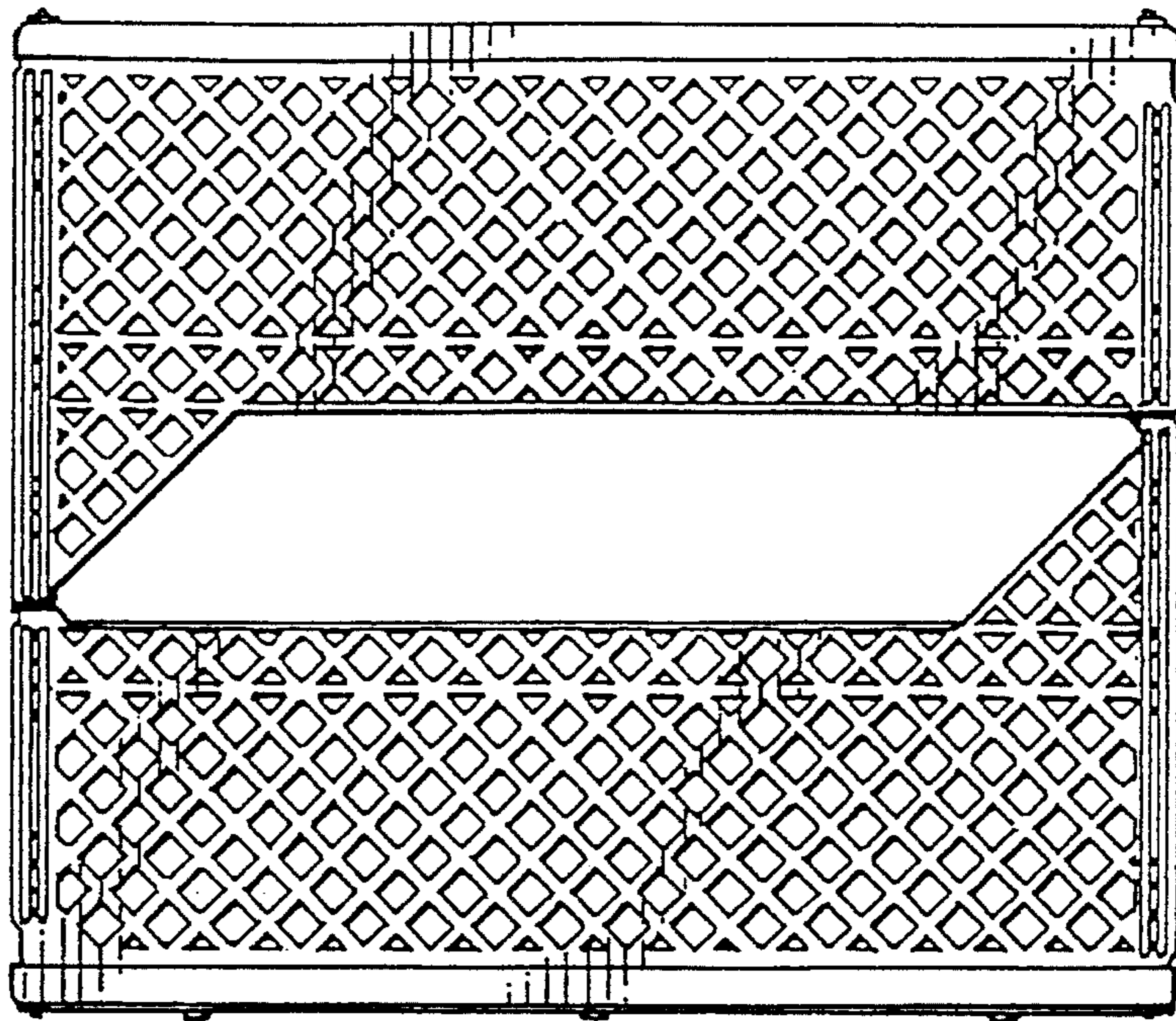


FIG.2

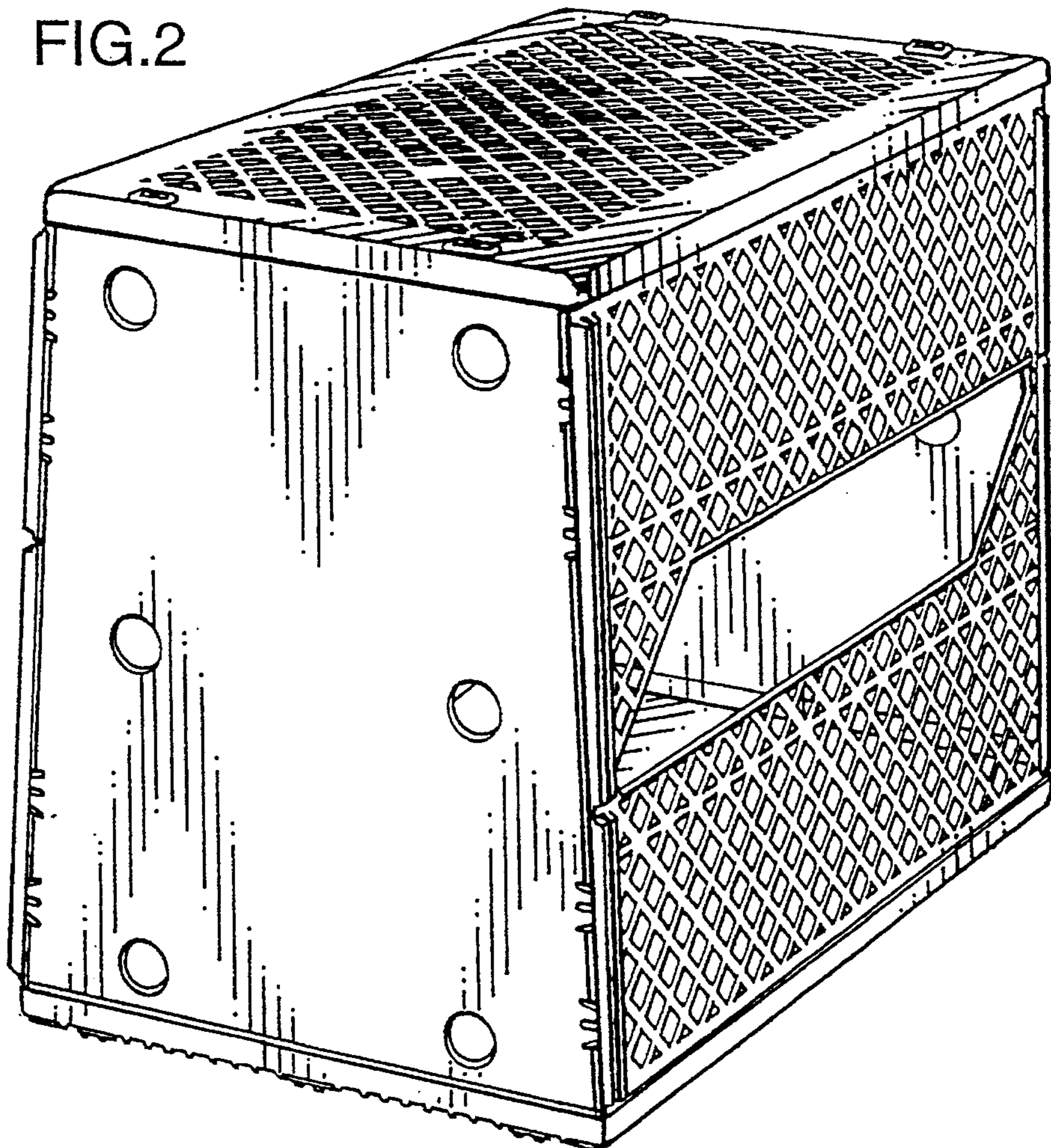


FIG.4

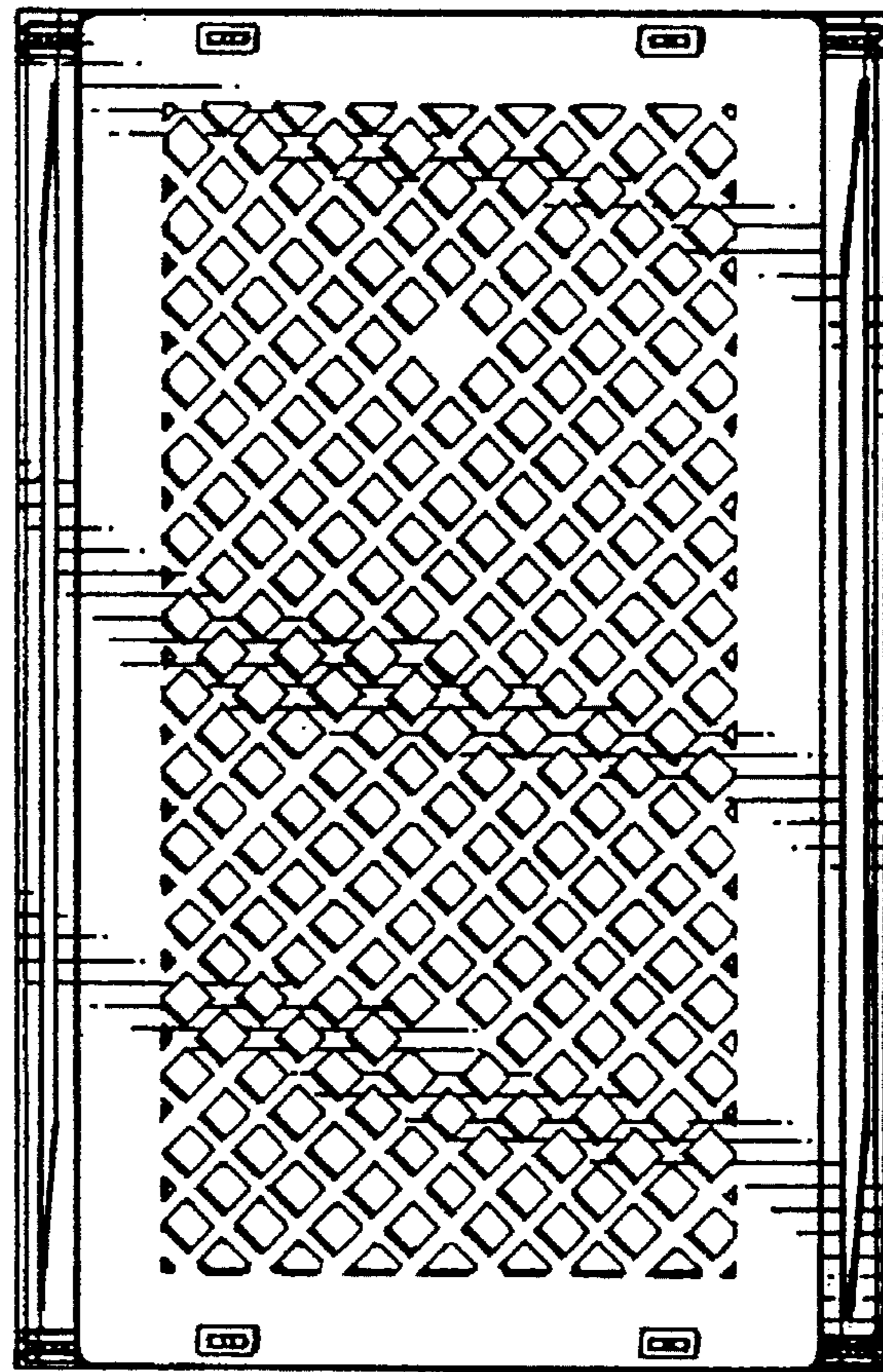


FIG.3

