



US00D370172S

United States Patent [19] Rohaly

[11] Patent Number: **Des. 370,172**

[45] Date of Patent: ****May 28, 1996**

[54] **CABLE TIE**

[75] Inventor: **Joseph S. Rohaly**, Frankfort, Ill.

[73] Assignee: **Panduit Corp.**, Tinley Park, Ill.

[**] Term: **14 Years**

[21] Appl. No.: **33,449**

[22] Filed: **Jan. 13, 1995**

[52] U.S. Cl. **D8/396**

[58] Field of Search D8/394, 396; D9/435;
24/16 PB, 30.5 P; 248/74.3

[56] **References Cited**

U.S. PATENT DOCUMENTS

D. 205,659	9/1966	Plasecki .	
D. 205,940	10/1966	Miller .	
D. 224,960	10/1972	Wilson	D8/396
3,186,047	6/1965	Schwester et al. .	
3,965,538	6/1976	Caveney et al. .	
4,580,319	4/1986	Paradis	24/16 PB
5,414,904	5/1995	Sampson	24/30.5 P

Primary Examiner—B. J. Bullock

Attorney, Agent, or Firm—Mark D. Hilliard; Robert A. McCann

[57] **CLAIM**

The ornamental design for a cable tie, as shown and described.

DESCRIPTION

FIG. 1 is a fragmentary perspective view of the head of the cable tie of FIGS. 3-6;

FIG. 2 is a fragmentary perspective view of the head of the cable tie of FIGS. 3-6;

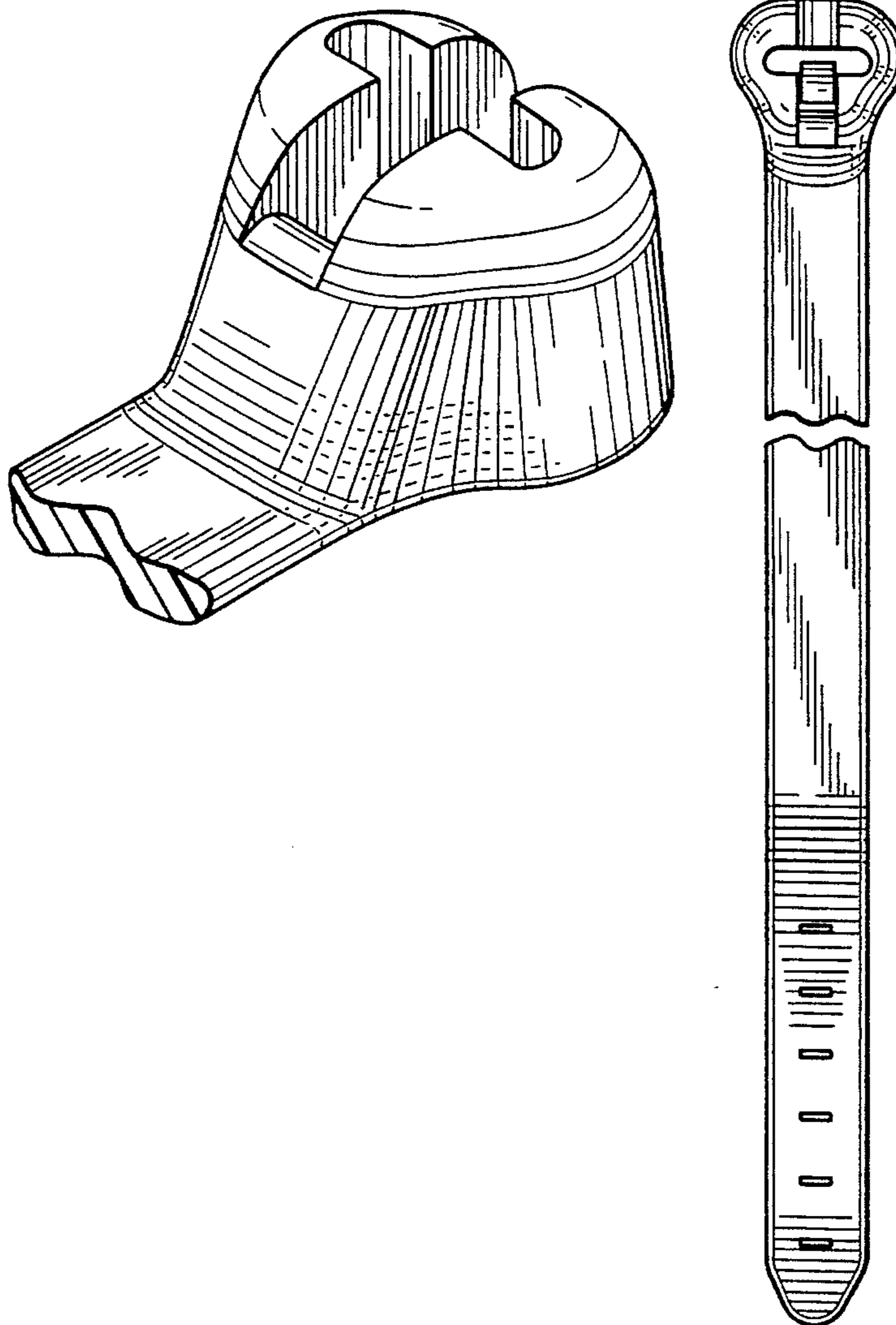
FIG. 3 is a reduced end view as seen from the top of FIG. 4;

FIG. 4 is a reduced top view of the cable tie, shown broken away to indicate indeterminate length;

FIG. 5 is a left side view of FIG. 4, the right side being a mirror image thereof; and,

FIG. 6 is a bottom view of FIG. 4.

1 Claim, 2 Drawing Sheets



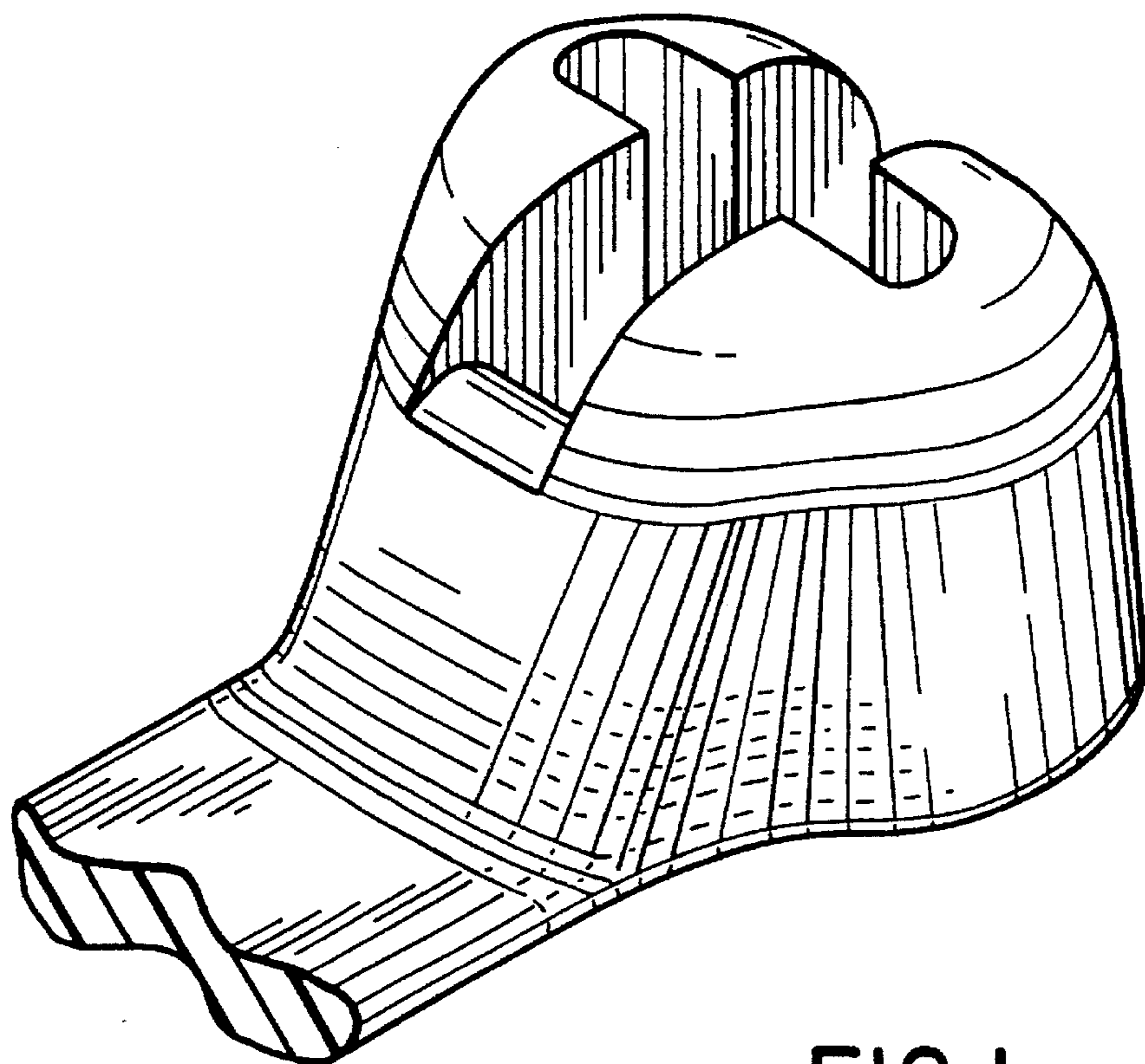


FIG. 1

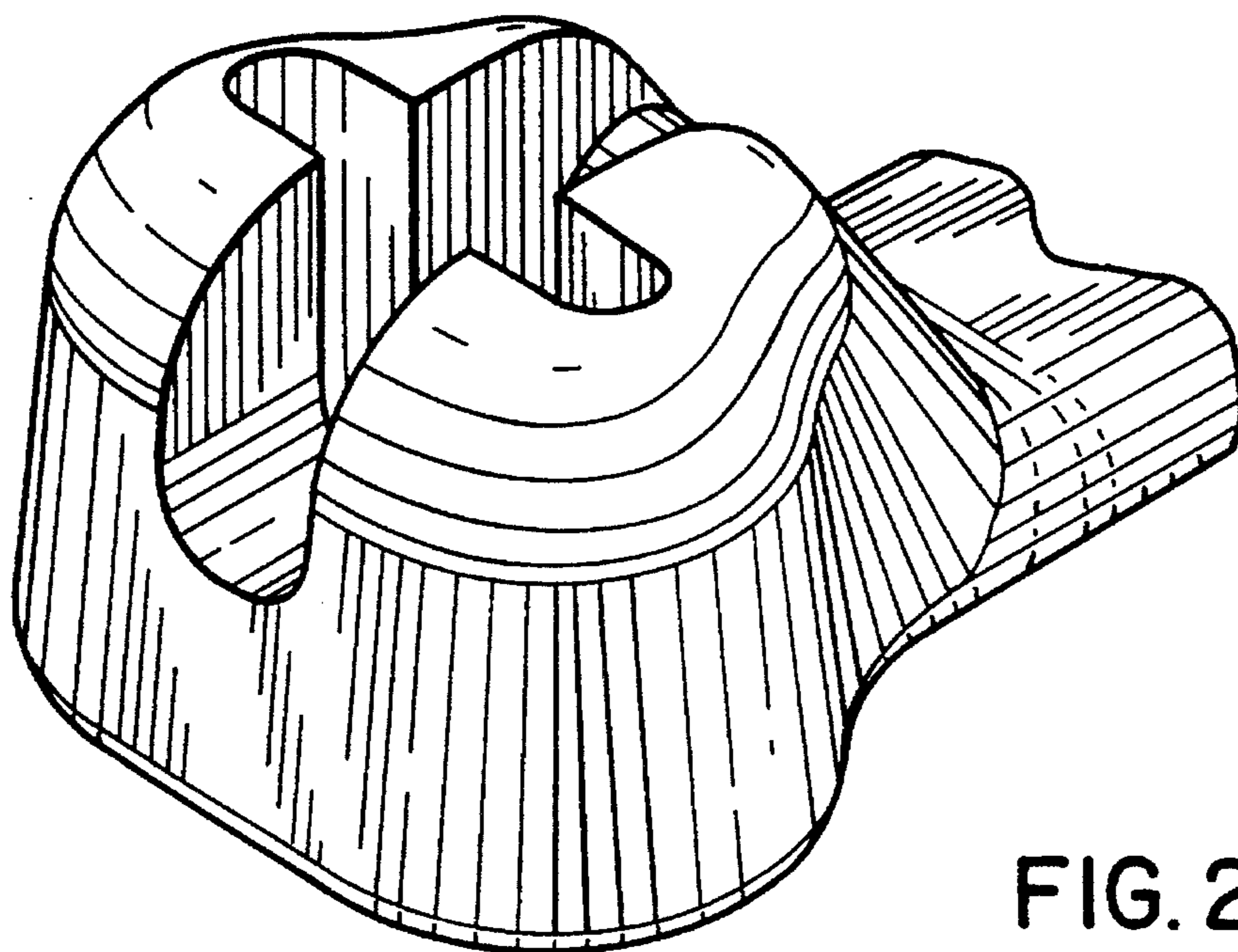


FIG. 2

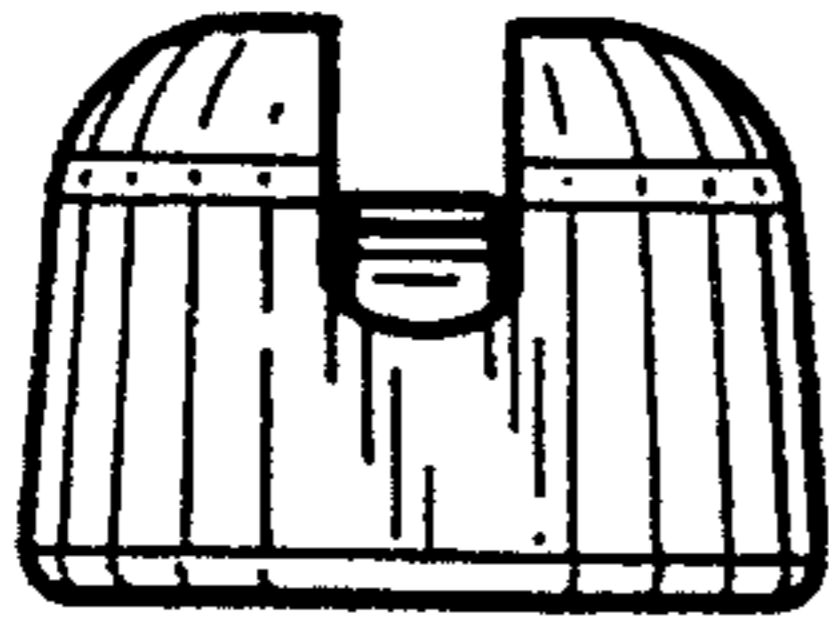


FIG. 3

FIG. 4

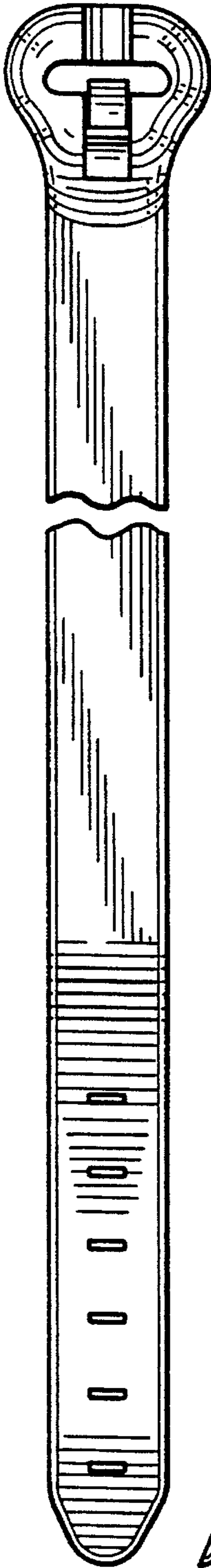


FIG. 5

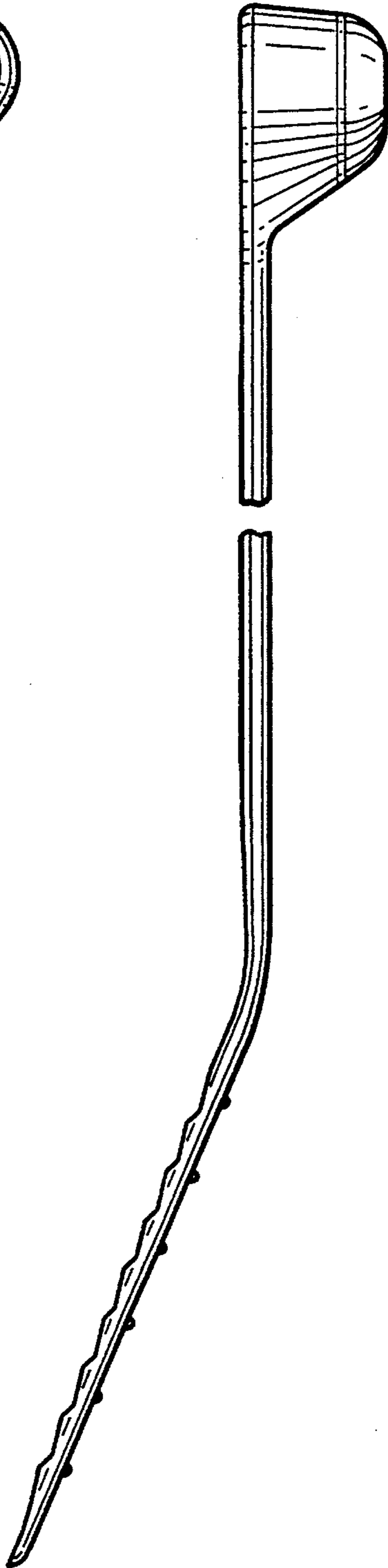


FIG. 6

