



US00D370168S

United States Patent [19]

[11] Patent Number: **Des. 370,168**

Widen

[45] Date of Patent: ***** May 28, 1996**

[54] **KEY**

[75] Inventor: **Bo Widen**, Torshalla, Sweden

[73] Assignee: **Winloc AG**, Zug, Switzerland

[*] Notice: The portion of the term of this patent subsequent to Apr. 16, 2010, has been disclaimed.

[**] Term: **14 Years**

[21] Appl. No.: **25,365**

[22] Filed: **Jun. 30, 1994**

D. 301,831 6/1989 McCaa D8/347
 D. 307,863 5/1990 Boag D8/347
 3,349,589 10/1967 Fricke 70/395

OTHER PUBLICATIONS

Ilco Unican Key Catalogue No. 60R (1984), p. S10, Yamaha Key (lower left corner of page).
 Ilco Unican Key Catalogue No. 60R (1984), p. 119, Square "Big Head" Key (lower right corner of page).

Primary Examiner—Brian N. Vinson
Attorney, Agent, or Firm—Sughrue, Mion, Zinn, Macpeak & Seas

[30] Foreign Application Priority Data

Dec. 30, 1993 [SE] Sweden 93-2929
 [52] U.S. Cl. **D8/347**
 [58] Field of Search D8/347-348; 70/393,
 70/402, 405-406, 408

[57] CLAIM

The ornamental design for a key, as shown.

DESCRIPTION

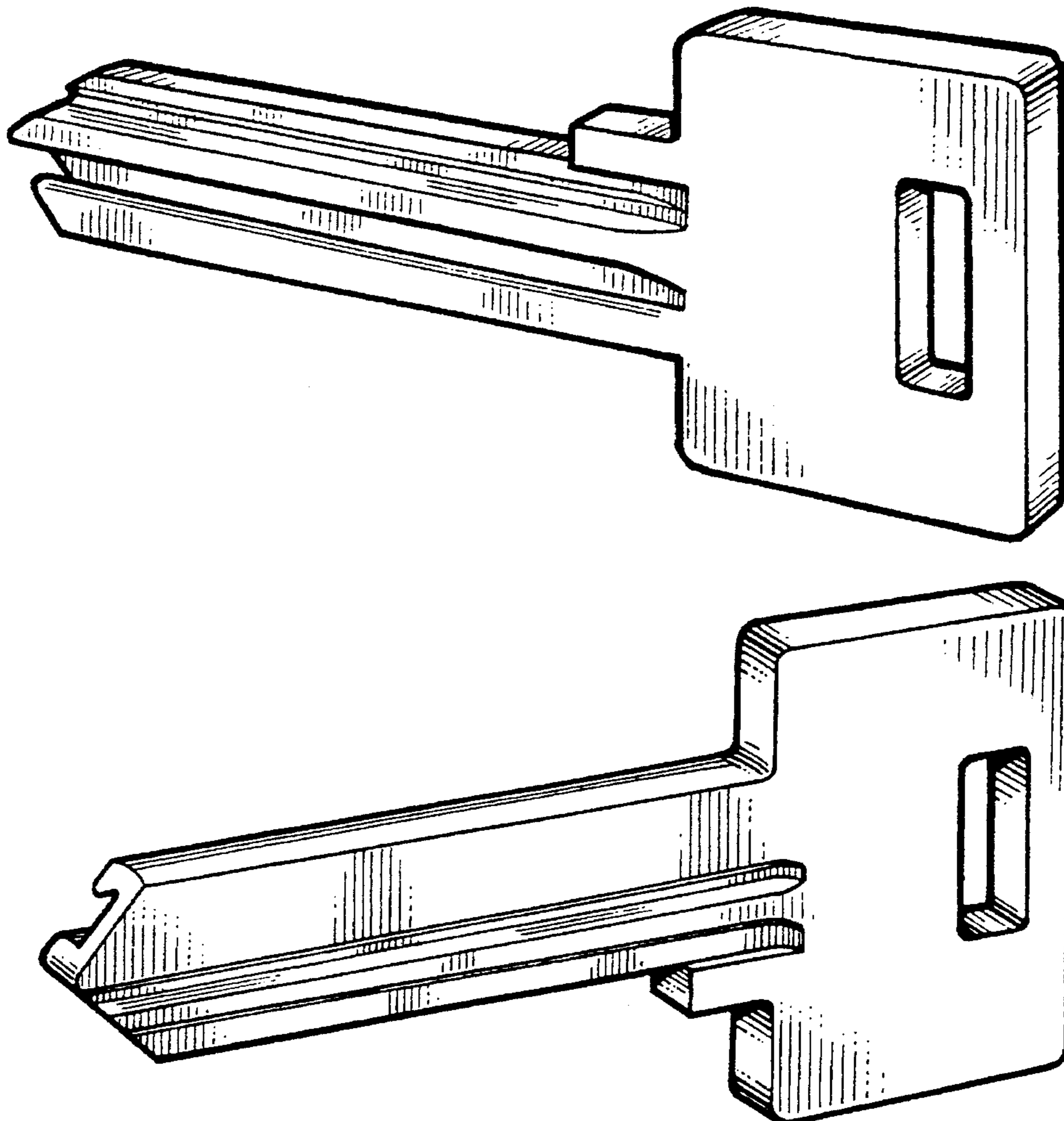
FIG. 1 is a perspective view of the front side, top edge and right end of a key showing my new design;
 FIG. 2 is a left end elevational view thereof; and,
 FIG. 3 is a perspective view of the rear side, bottom edge and left end thereof.

[56] References Cited

U.S. PATENT DOCUMENTS

D. 278,880 5/1985 Widen D8/347

1 Claim, 1 Drawing Sheet



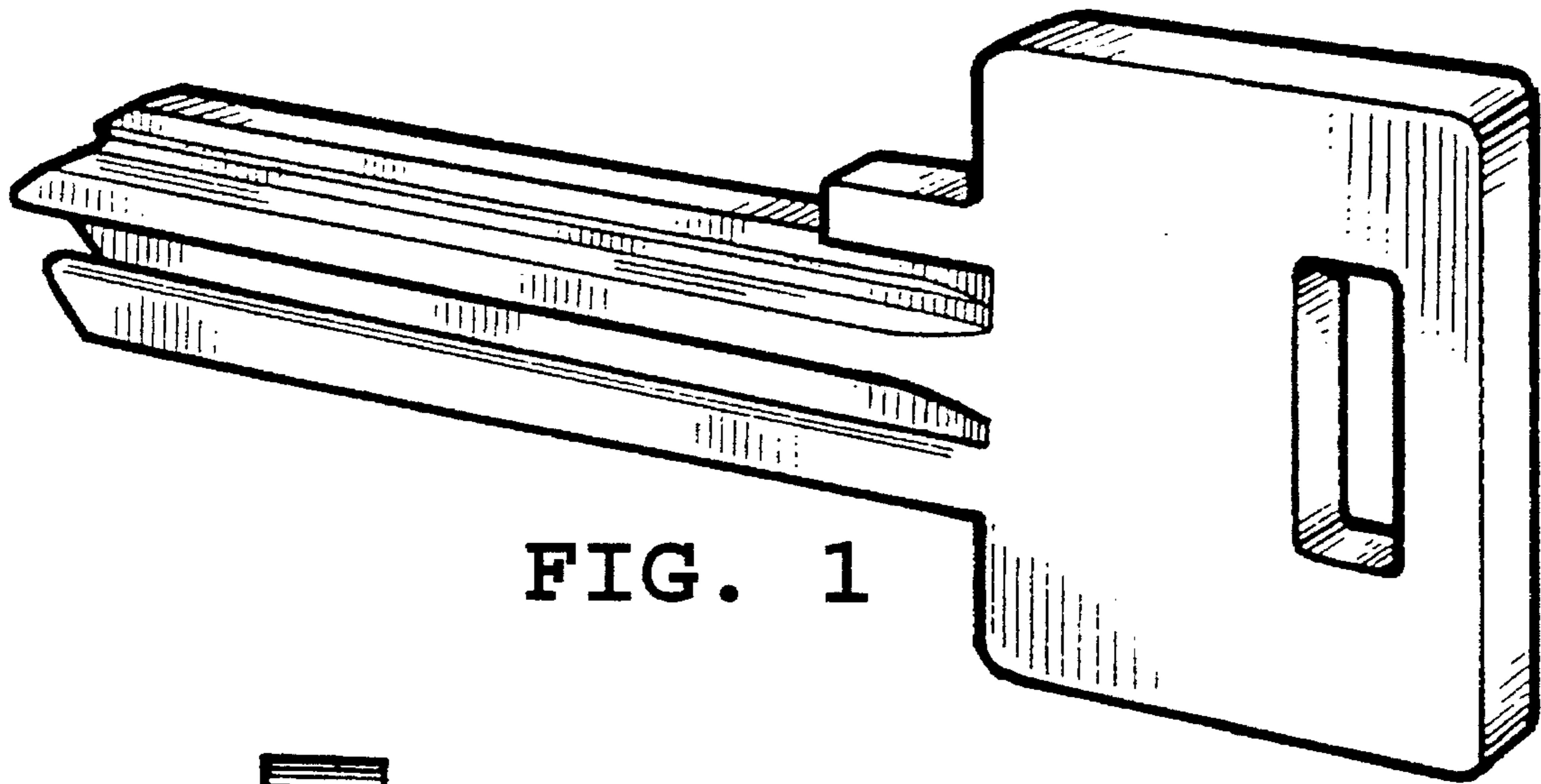


FIG. 1



FIG. 2

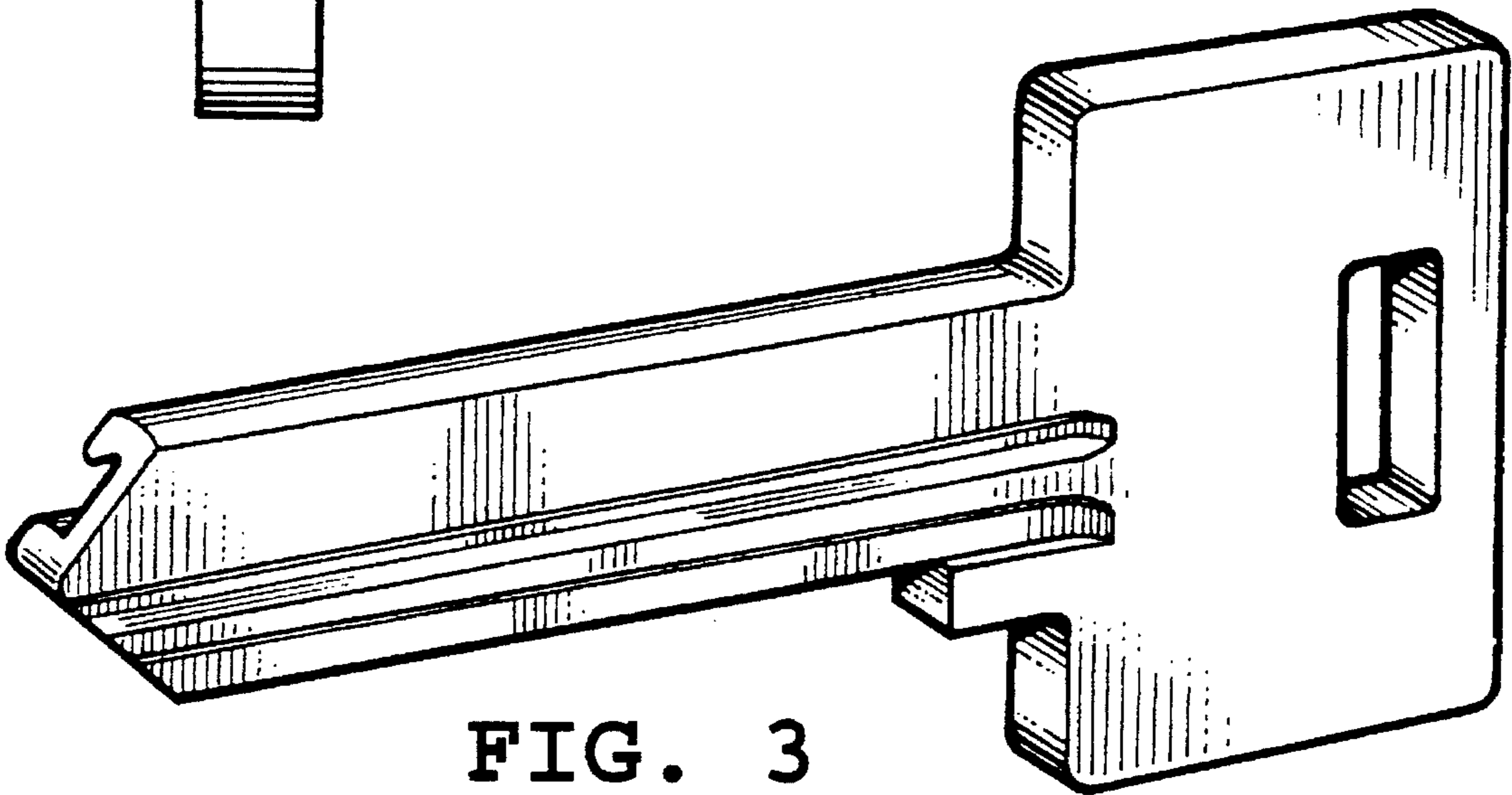


FIG. 3