



US00D370167S

United States Patent [19]
Edwards

[11] **Patent Number: Des. 370,167**

[45] **Date of Patent: **May 28, 1996**

[54] **DRAWER HANDLE**

[75] Inventor: **Thomas M. Edwards**, Spring Lake, Mich.

[73] Assignee: **Herman Miller, Inc.**, Zeeland, Mich.

[**] Term: **14 Years**

[21] Appl. No.: **14,316**

[22] Filed: **Oct. 15, 1993**

[52] **U.S. Cl.** **D8/320**

[58] **Field of Search** D8/300, 315, 319,
D8/320; 16/110 R, 111 R, 124

[56] **References Cited**

U.S. PATENT DOCUMENTS

D. 176,085	11/1955	Stone	D8/319
D. 178,436	7/1956	Unzicker	D8/319
D. 179,467	1/1957	Aleks	D8/319
D. 179,627	2/1957	Dargene	D8/319
D. 220,678	5/1971	Horgan, Jr.	D8/319

OTHER PUBLICATIONS

Amerock Cat. C-2094; p. 17; pull 840 (center of page).

Primary Examiner—B. J. Bullock
Attorney, Agent, or Firm—William Brinks Hofer Gilson & Lione

[57] **CLAIM**

The ornamental design for a drawer handle, as shown and described.

DESCRIPTION

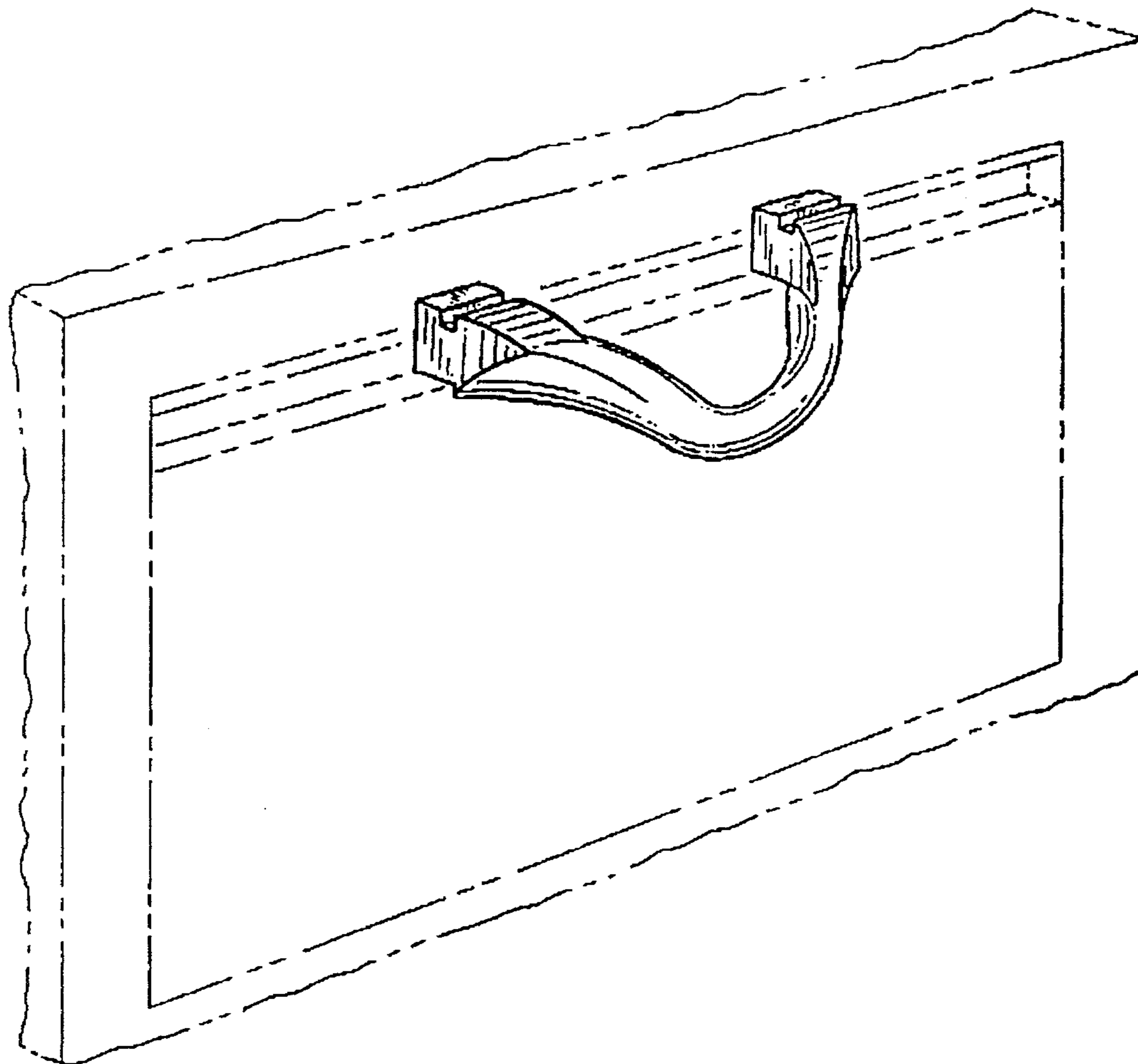
FIG. 1 is a front perspective view of a first embodiment of my new design shown attached to a drawer. The broken line showing of the drawer in this and the follow drawings is for illustrative purposes only and forms no part of the claimed design;

FIG. 2 is a side view of the embodiment shown in FIG. 1; FIG. 3 is a top view of the embodiment shown in FIGS. 1-2; FIG. 4 is a front view of the embodiment shown in FIGS. 1-3;

FIG. 5 is a bottom view of the embodiment shown in FIGS. 1-4; and,

FIG. 6 is a rear view of the embodiment shown in FIGS. 1-5.

1 Claim, 1 Drawing Sheet



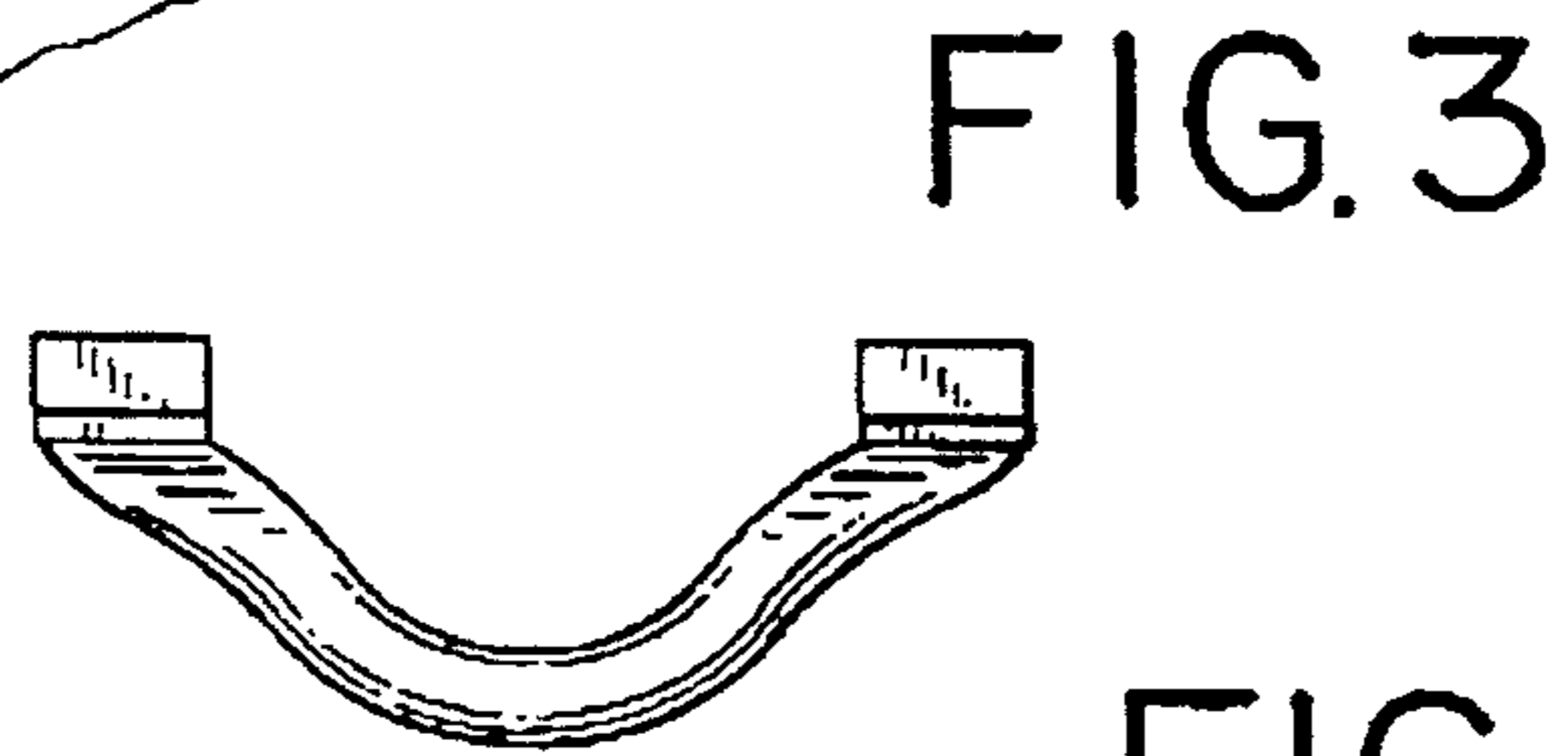
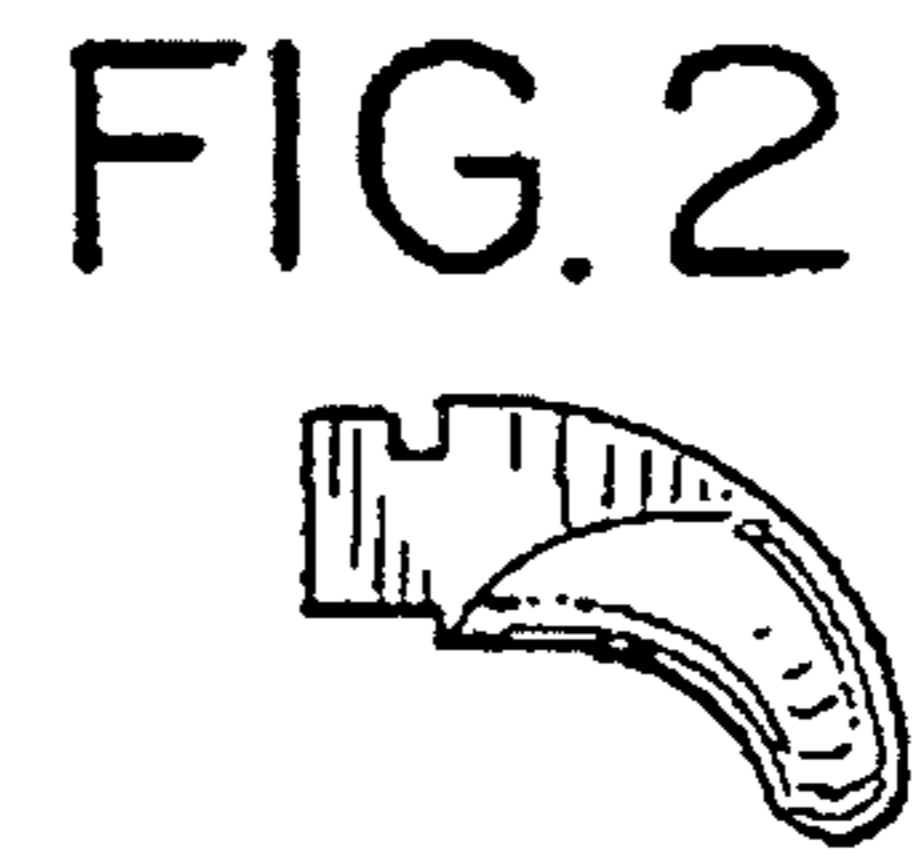
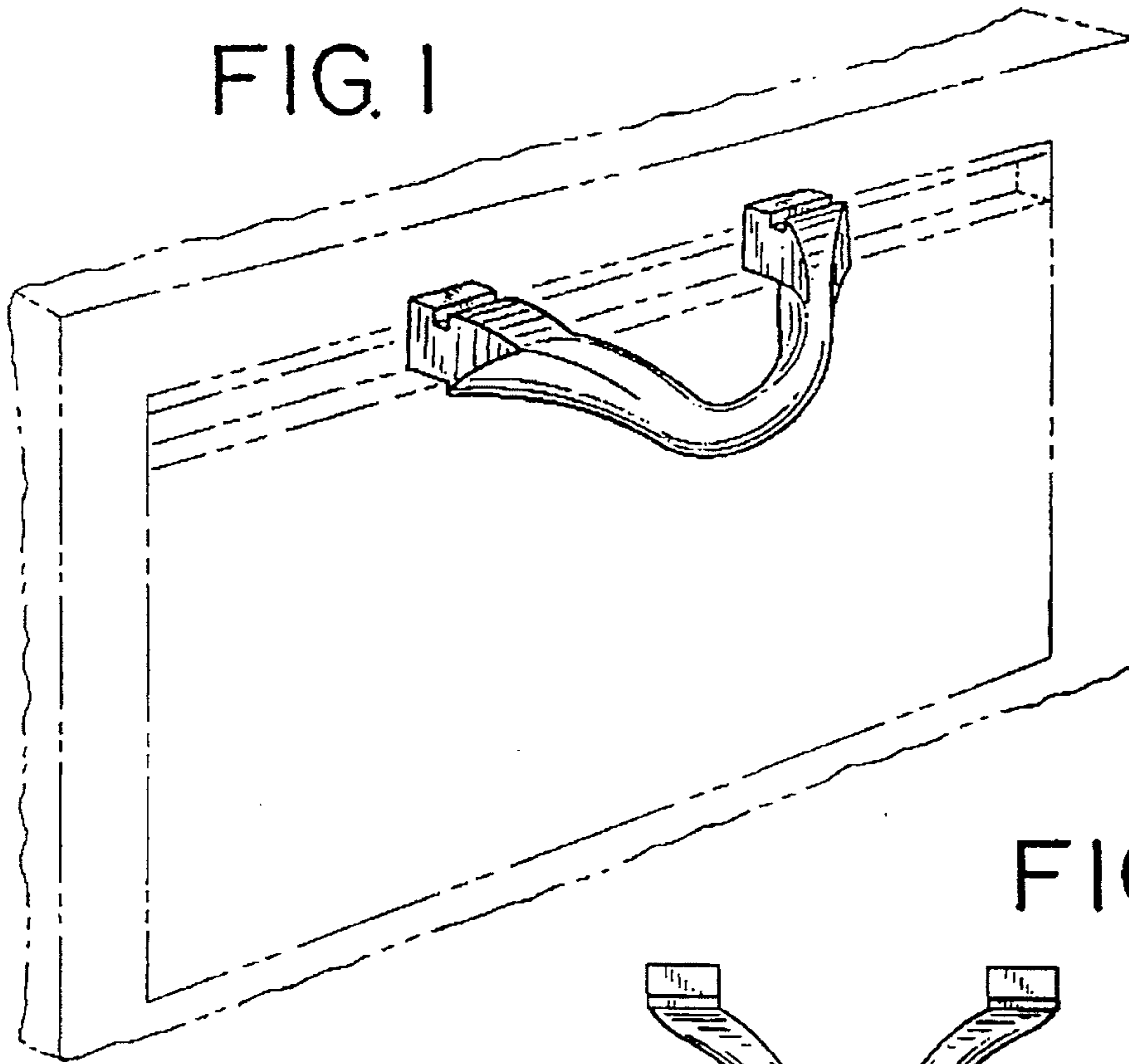


FIG. 4

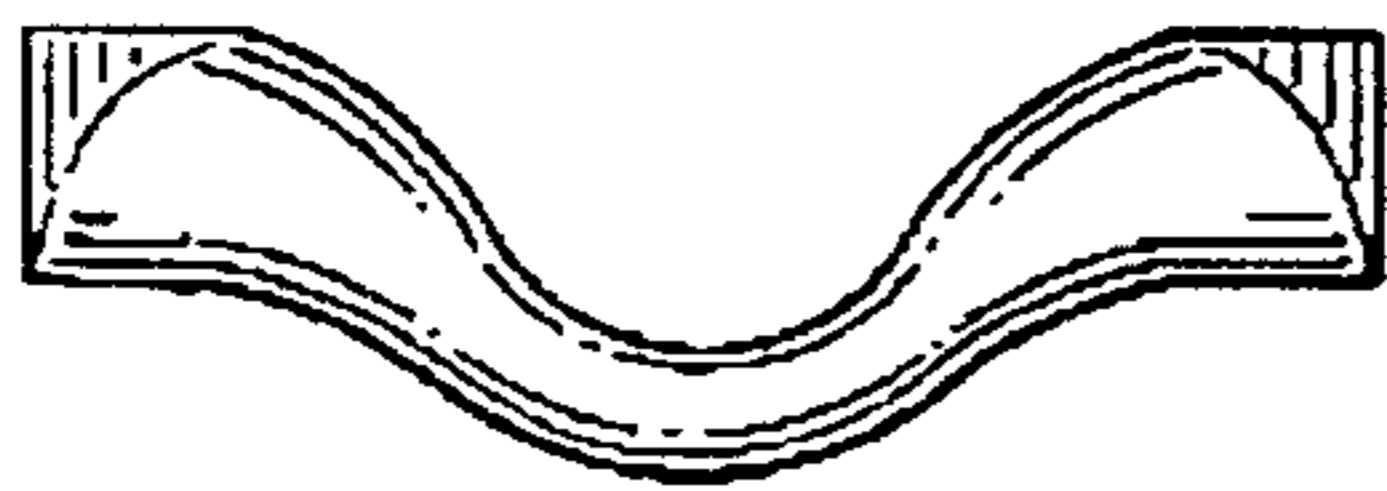


FIG. 6

