



US00D370163S

**United States Patent** [19]  
**Hurd**

[11] **Patent Number: Des. 370,163**

[45] **Date of Patent: \*\*May 28, 1996**

[54] **HOUSING FOR A HAND-HELD MOTOR**

[76] Inventor: **James H. Hurd**, 6997 Vesta Brook Dr.,  
Morrow, Ga. 30260

[\*\*] Term: **14 Years**

[21] Appl. No.: **27,528**

[22] Filed: **Aug. 23, 1994**

[52] U.S. Cl. .... **D8/68**

[58] Field of Search ..... D8/61, 62, 68;  
81/57.13, 57.14, 58.4, 466; 173/69, 70

[56] **References Cited**

**U.S. PATENT DOCUMENTS**

D. 204,772	5/1966	Brown	.....	D8/62
D. 213,202	1/1969	Ehrlich	.....	D8/30
D. 269,588	6/1983	Ludwig	.....	D8/107
D. 289,136	4/1987	Doman	.....	D8/62
D. 335,250	5/1993	Rosier	.....	D8/68
3,643,750	2/1972	Allen	.....	173/170

**OTHER PUBLICATIONS**

Ramset SSR-104 Production Rivet Tool information sheet,  
Ramset Fastening Systems Olin Corporation, ©1969.

*Primary Examiner*—Alan P. Douglas  
*Assistant Examiner*—Robert M. Spear  
*Attorney, Agent, or Firm*—Bernstein & Associates

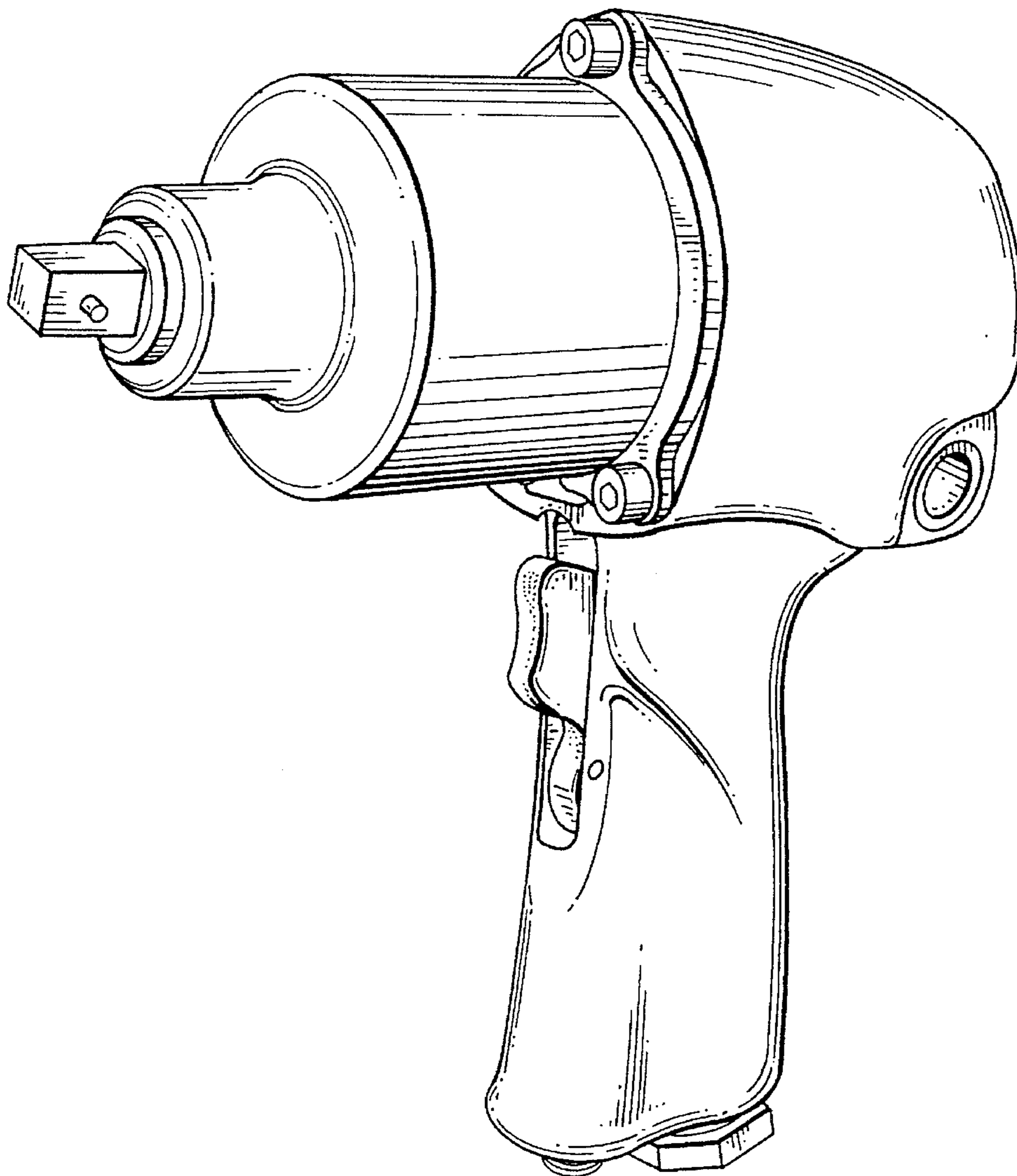
[57] **CLAIM**

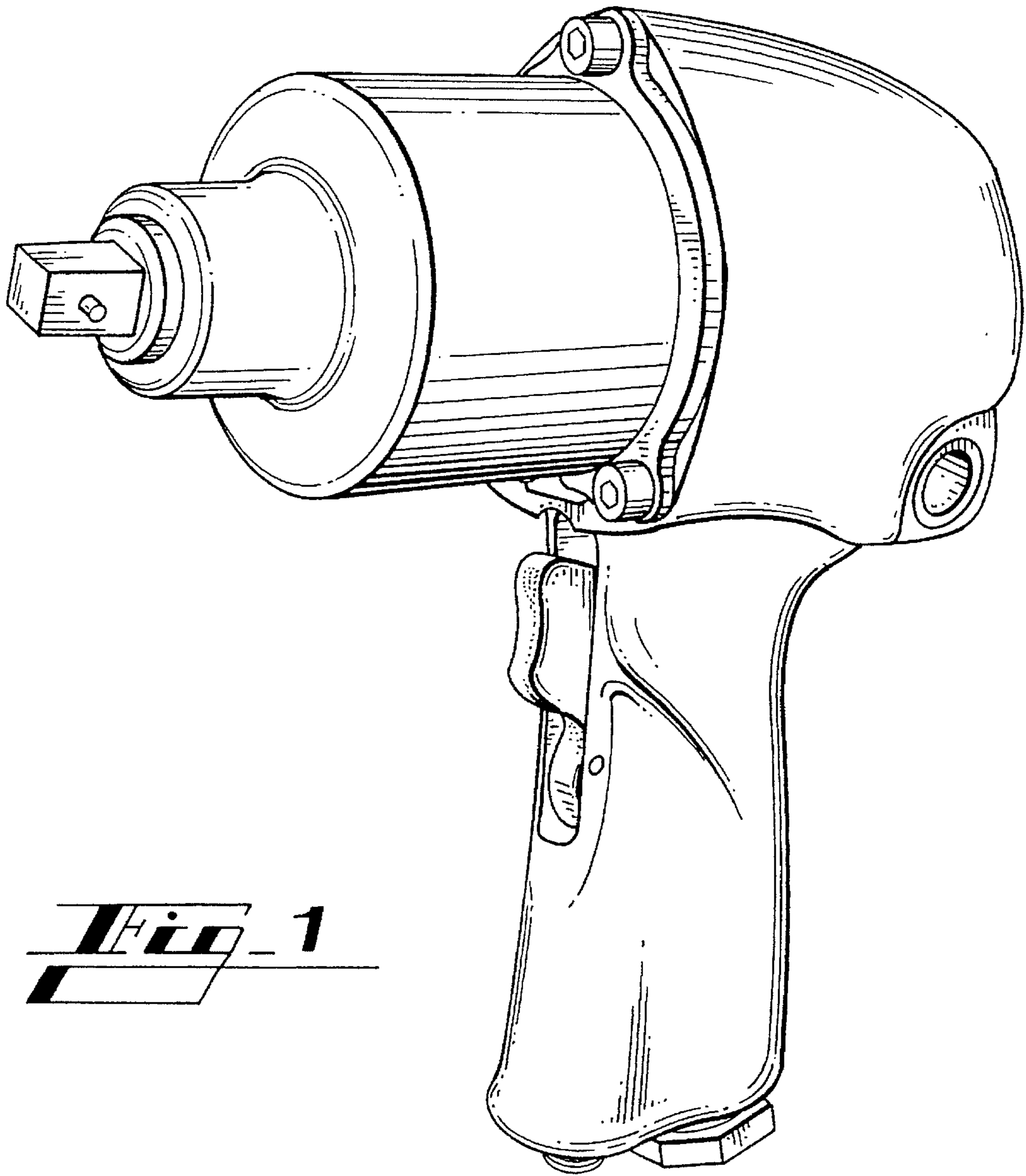
The ornamental design for my housing for a hand-held  
motor, as shown and described.

**DESCRIPTION**

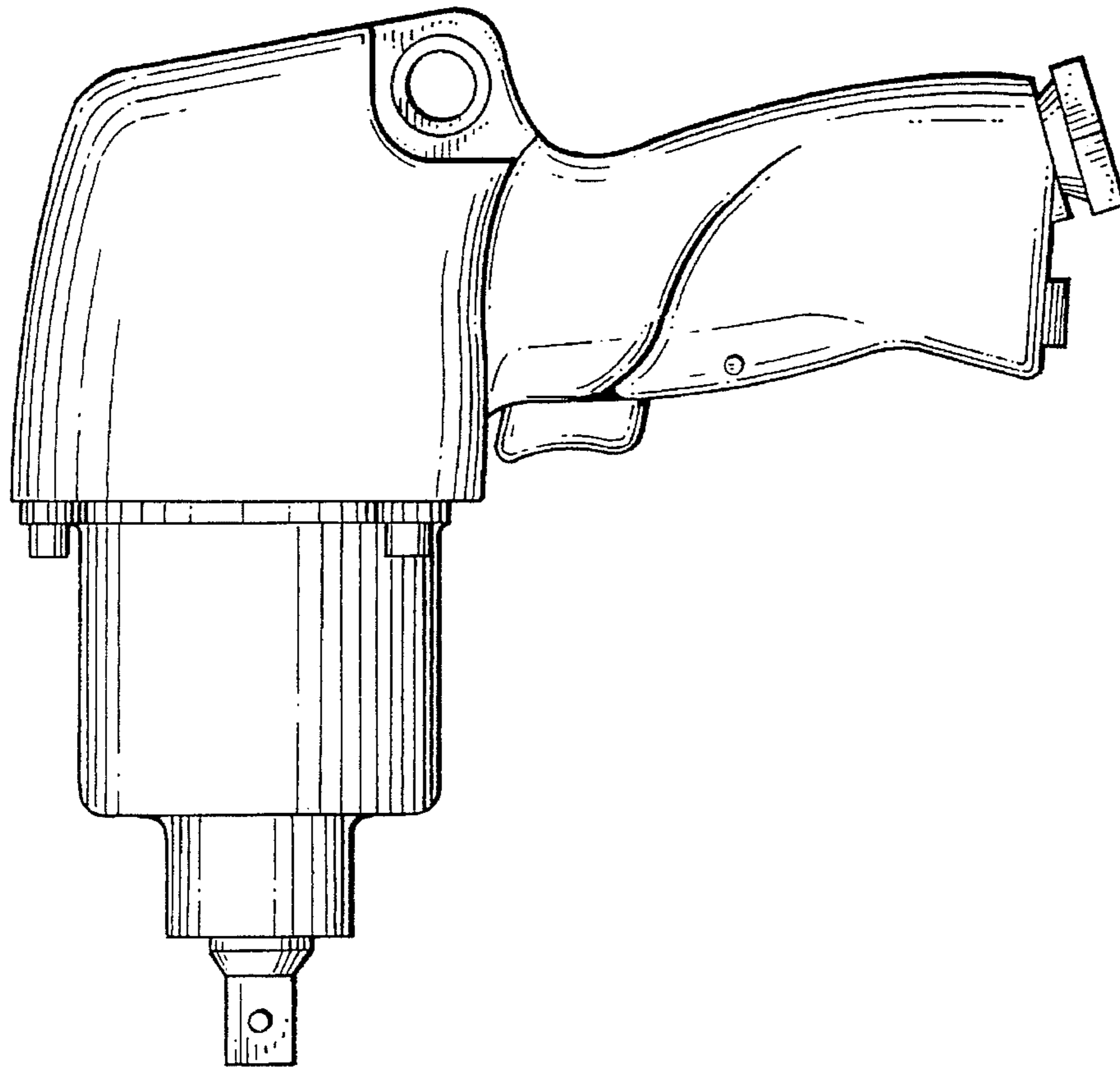
FIG. 1 is a perspective view of my housing for a hand-held  
motor;  
FIG. 2 is a front side elevation view thereof;  
FIG. 3 is a right side elevation view thereof;  
FIG. 4 is a rear side elevation view thereof;  
FIG. 5 is a left side elevation view thereof;  
FIG. 6 is a top view thereof; and,  
FIG. 7 is a bottom view thereof.

**1 Claim, 4 Drawing Sheets**

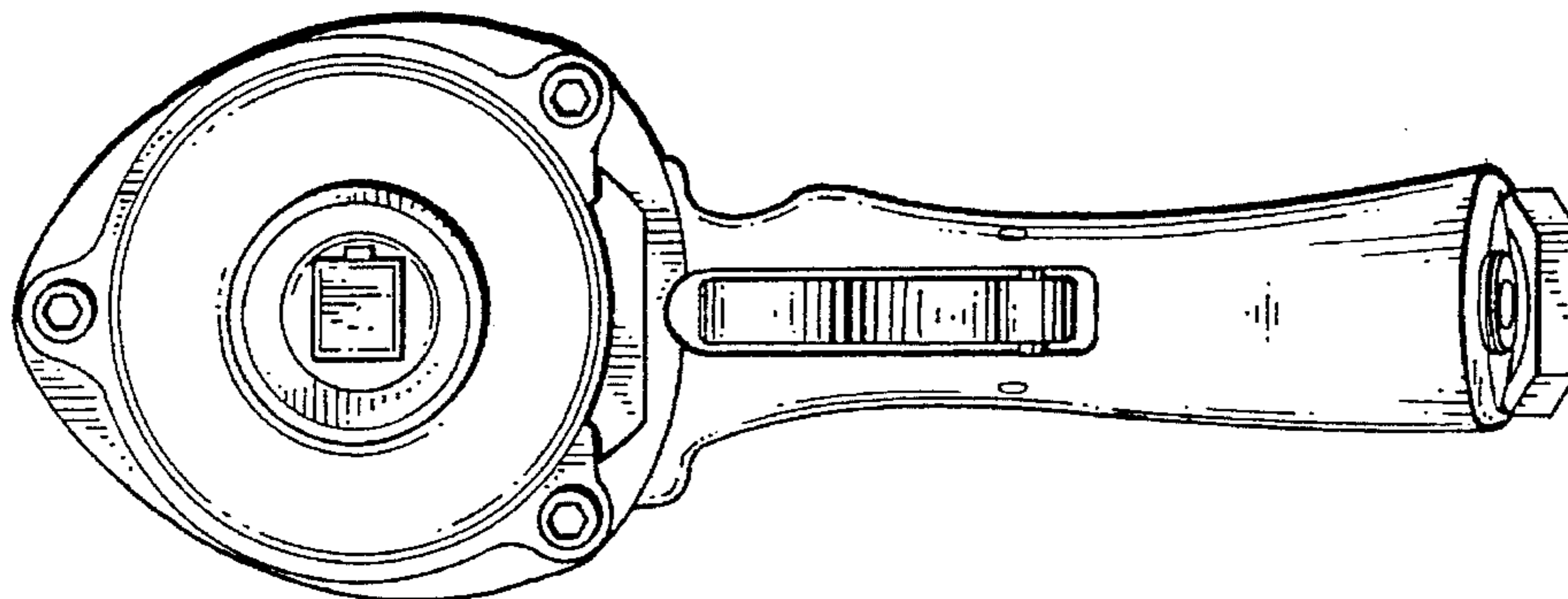




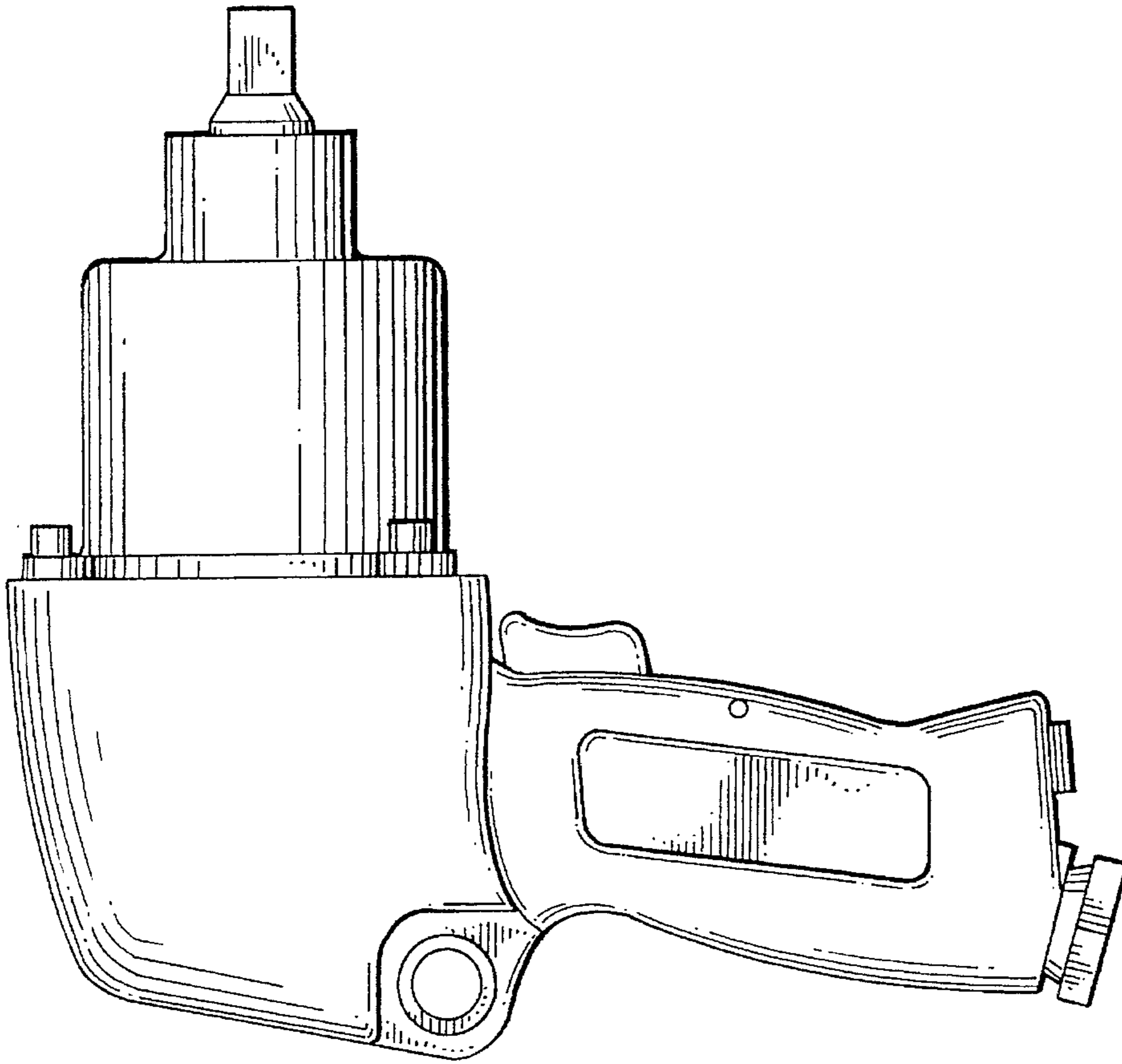
**Fig. 1**



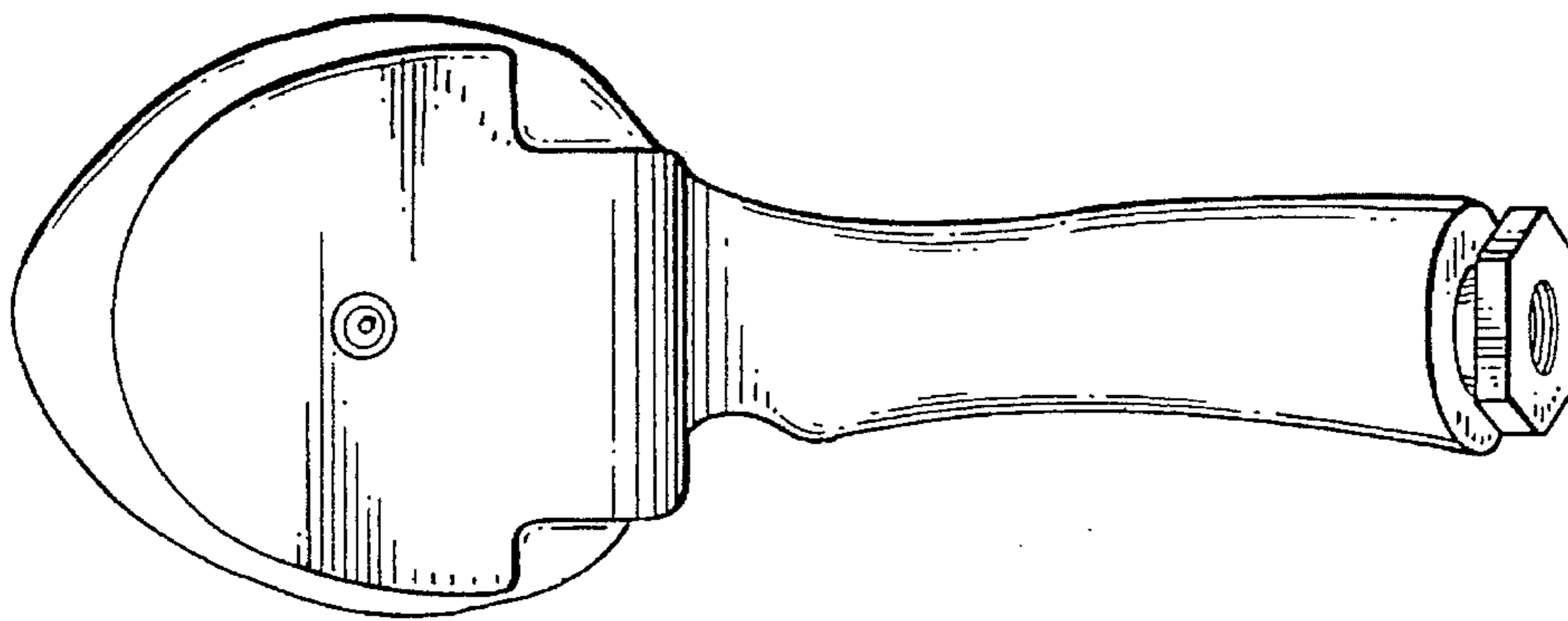
*Fig. 3*



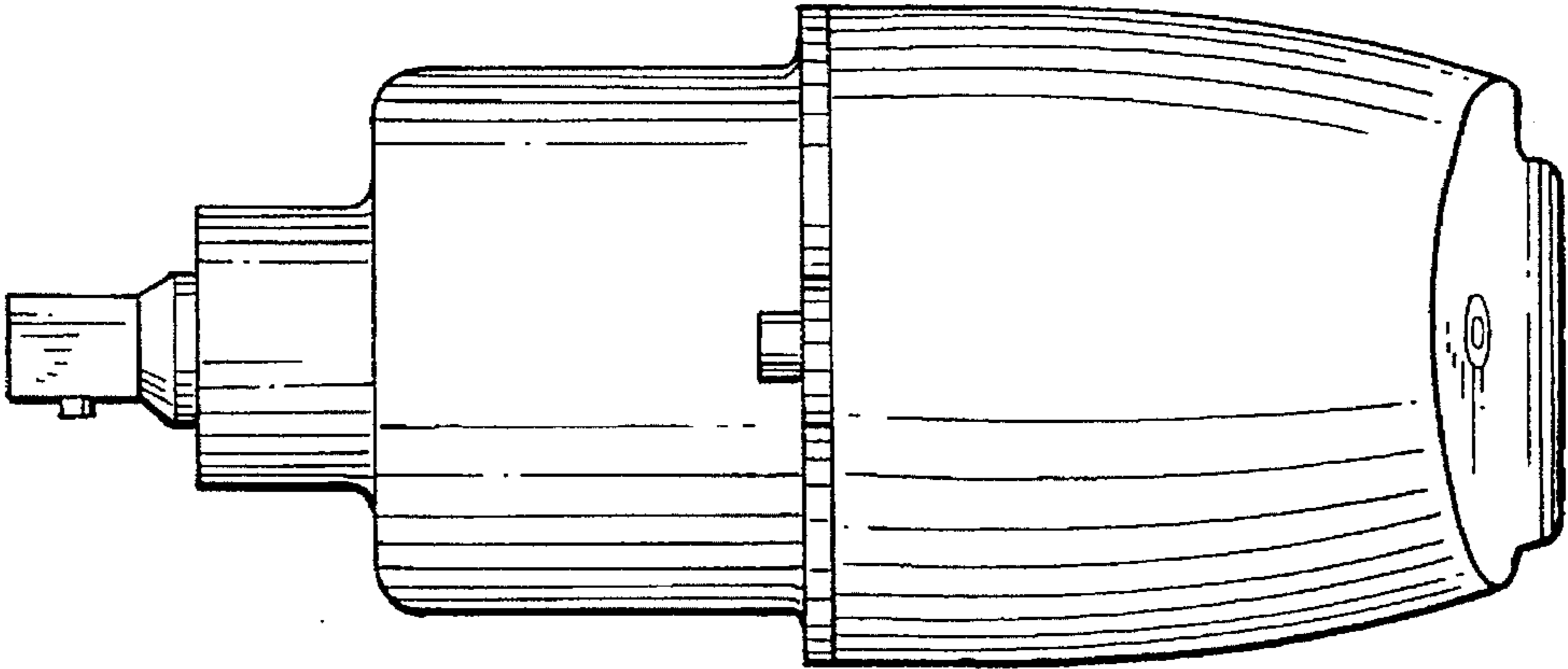
*Fig. 2*



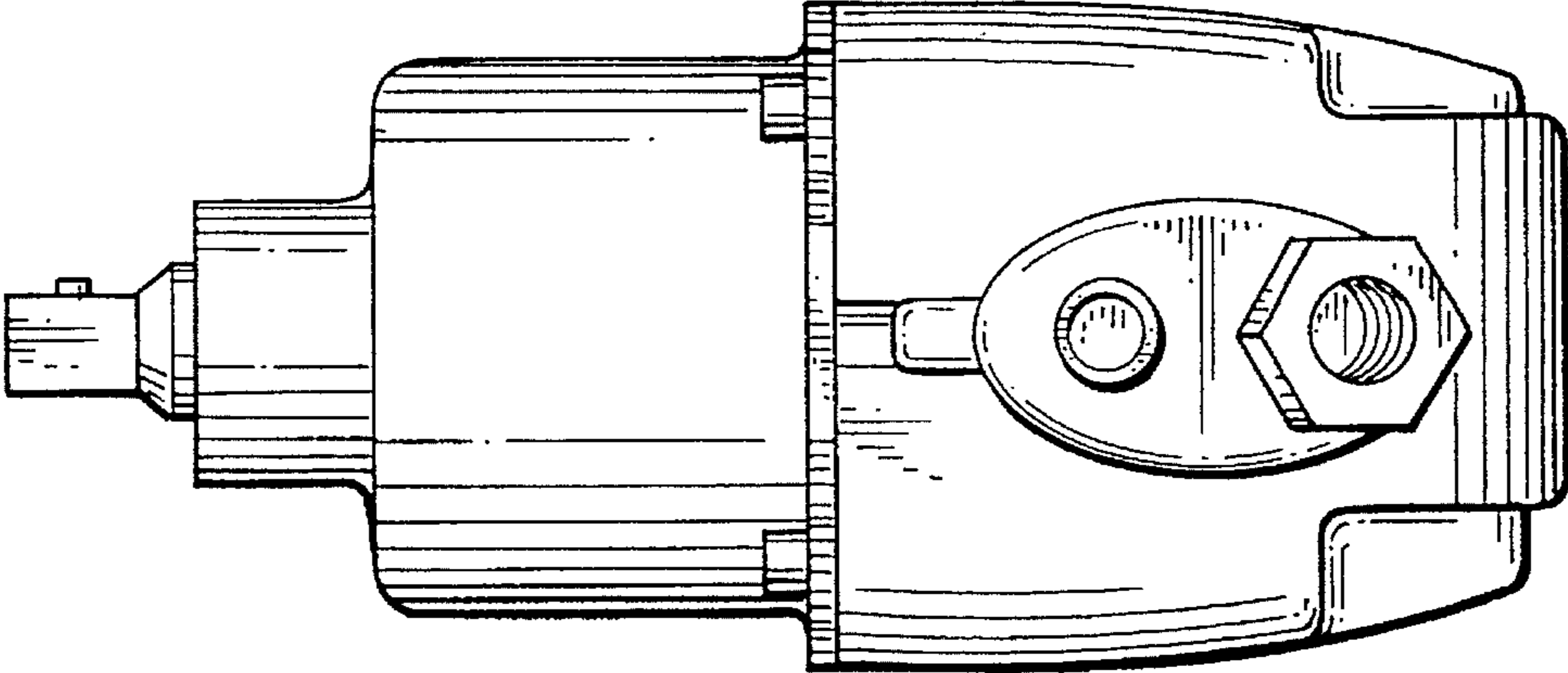
**Fig. 5**



**Fig. 4**



*Fig. 6*



*Fig. 7*