



US00D370162S

United States Patent [19]

[11] Patent Number: **Des. 370,162**

Brazell et al.

[45] Date of Patent: ****May 28, 1996**

[54] **CIRCULAR SAW**

5,023,999 6/1991 Looper et al. 30/390

[75] Inventors: **Kenneth M. Brazell**, Phoenix, Ariz.;
Anthony M. Sorrells, Easley, S.C.

Primary Examiner—Martie Thompson
Attorney, Agent, or Firm—Brooks & Kushman

[73] Assignee: **Ryobi Motor Products Corp.**, Easley, S.C.

[57] **CLAIM**

[**] Term: **14 Years**

The ornamental design of a circular saw, as shown and described in the drawings.

[21] Appl. No.: **16,538**

DESCRIPTION

[22] Filed: **Dec. 17, 1993**

FIG. 1 is a perspective view of a circular saw showing our design;

[52] U.S. Cl. **D8/66**

FIG. 2 is a top plan view;

[58] Field of Search D8/61, 66, 69;
30/390, 389, 388, 387, 377, 391

FIG. 3 is a right elevational view;

FIG. 4 is a front elevational view;

FIG. 5 is a rear elevational view;

FIG. 6 is a left elevational view;

FIG. 7 is a bottom plan view;

FIG. 8 is a perspective view of an alternative embodiment of the invention;

FIG. 9 is a top elevational view thereof;

FIG. 10 is a right elevational view;

FIG. 11 is a front elevational view;

FIG. 12 is a rear elevational view;

FIG. 13 is a left elevational view; and,

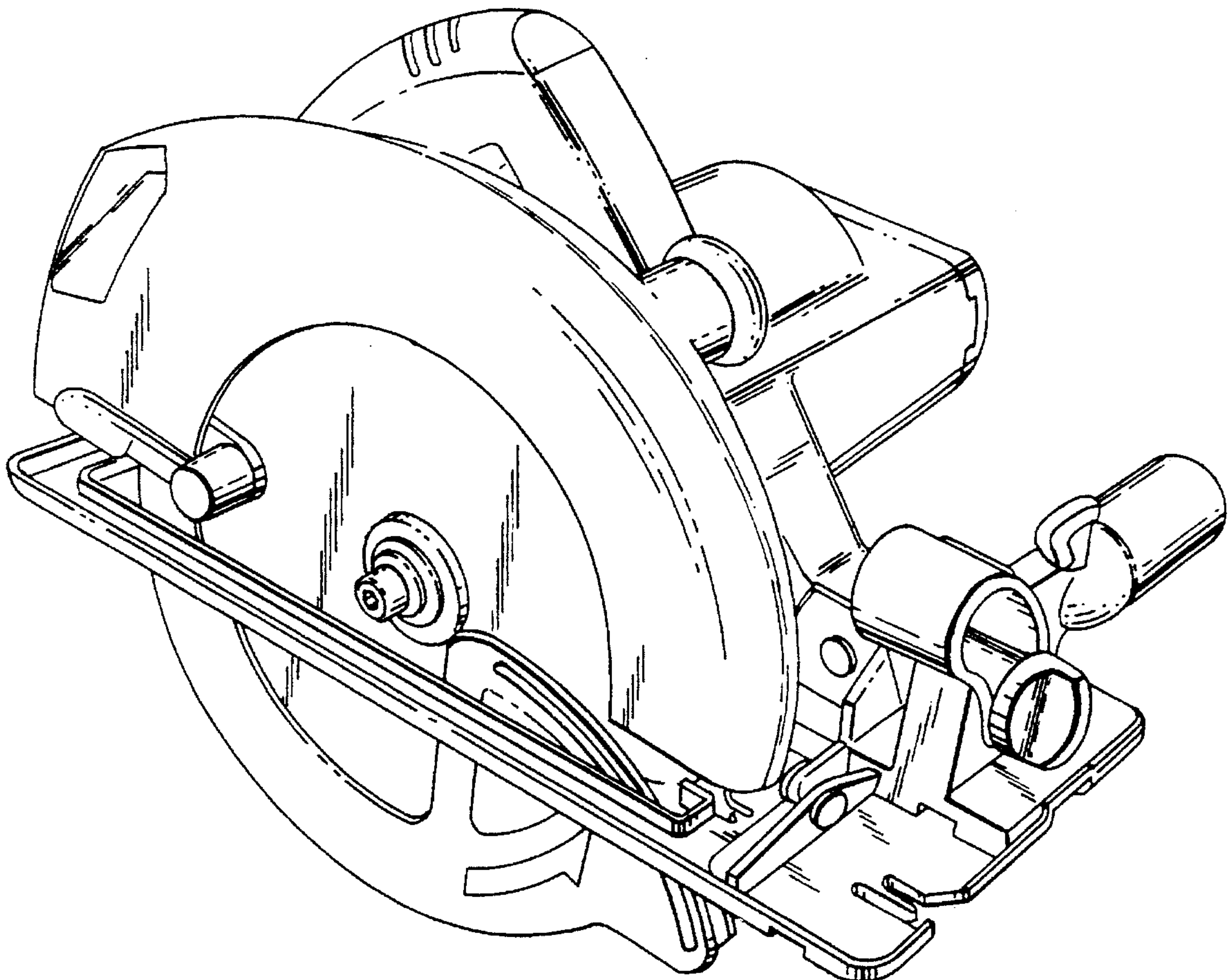
FIG. 14 is a bottom plan view.

[56] **References Cited**

U.S. PATENT DOCUMENTS

177,558	5/1956	Dolan	D93/3
177,767	5/1956	Seeger	D93/3
259,235	5/1981	Dibbern, Jr. et al.	D8/66
313,155	12/1990	Somers	D8/66
D. 320,729	10/1991	Zurwelle	D8/66
D. 326,399	5/1992	Fushiya et al.	D8/66
D. 332,735	1/1993	Fushiya et al.	D8/66
D. 334,523	4/1993	Hoshino et al.	D8/66
5,010,651	4/1991	Techter et al.	30/376

1 Claim, 8 Drawing Sheets



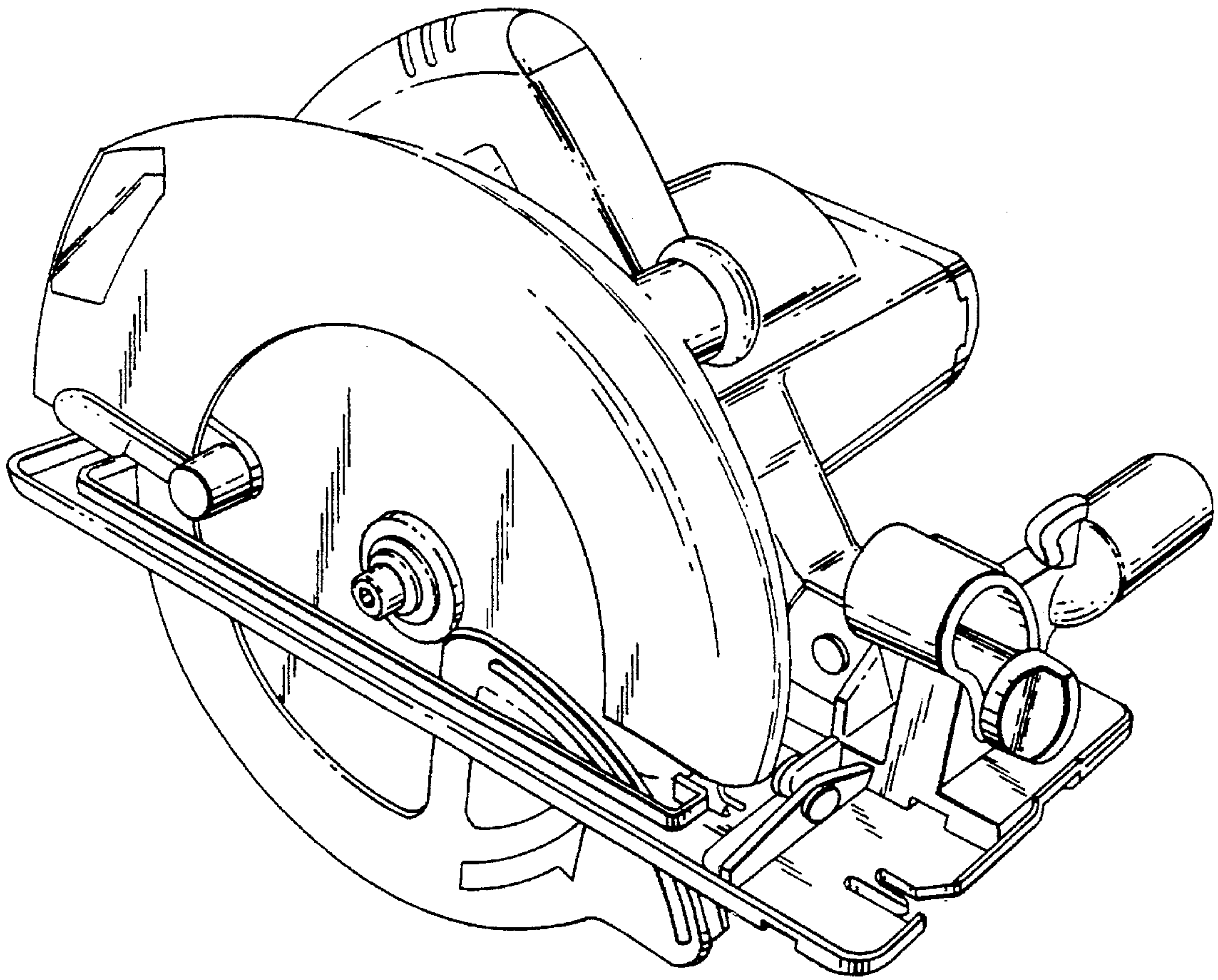


Fig-1

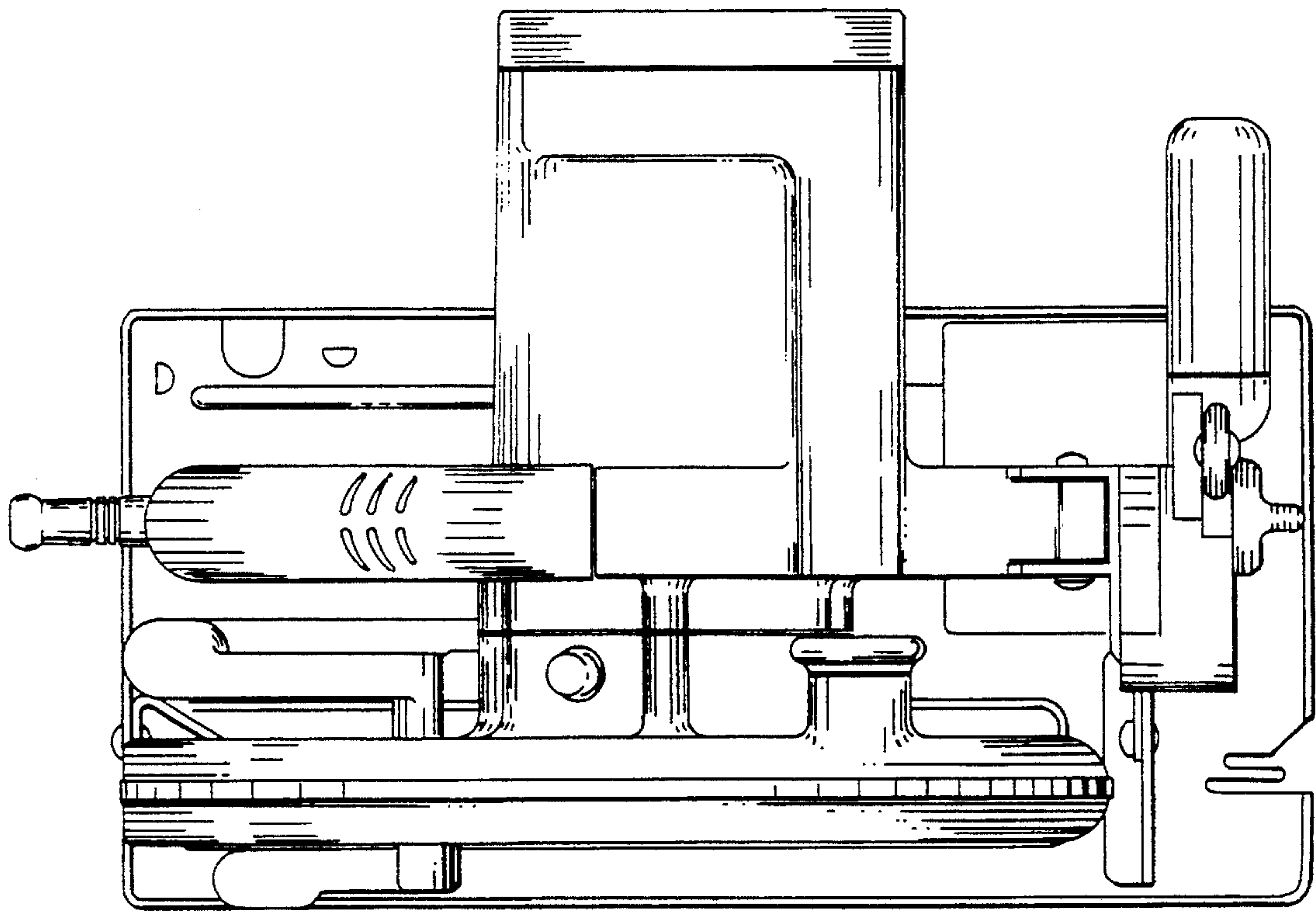


fig-2

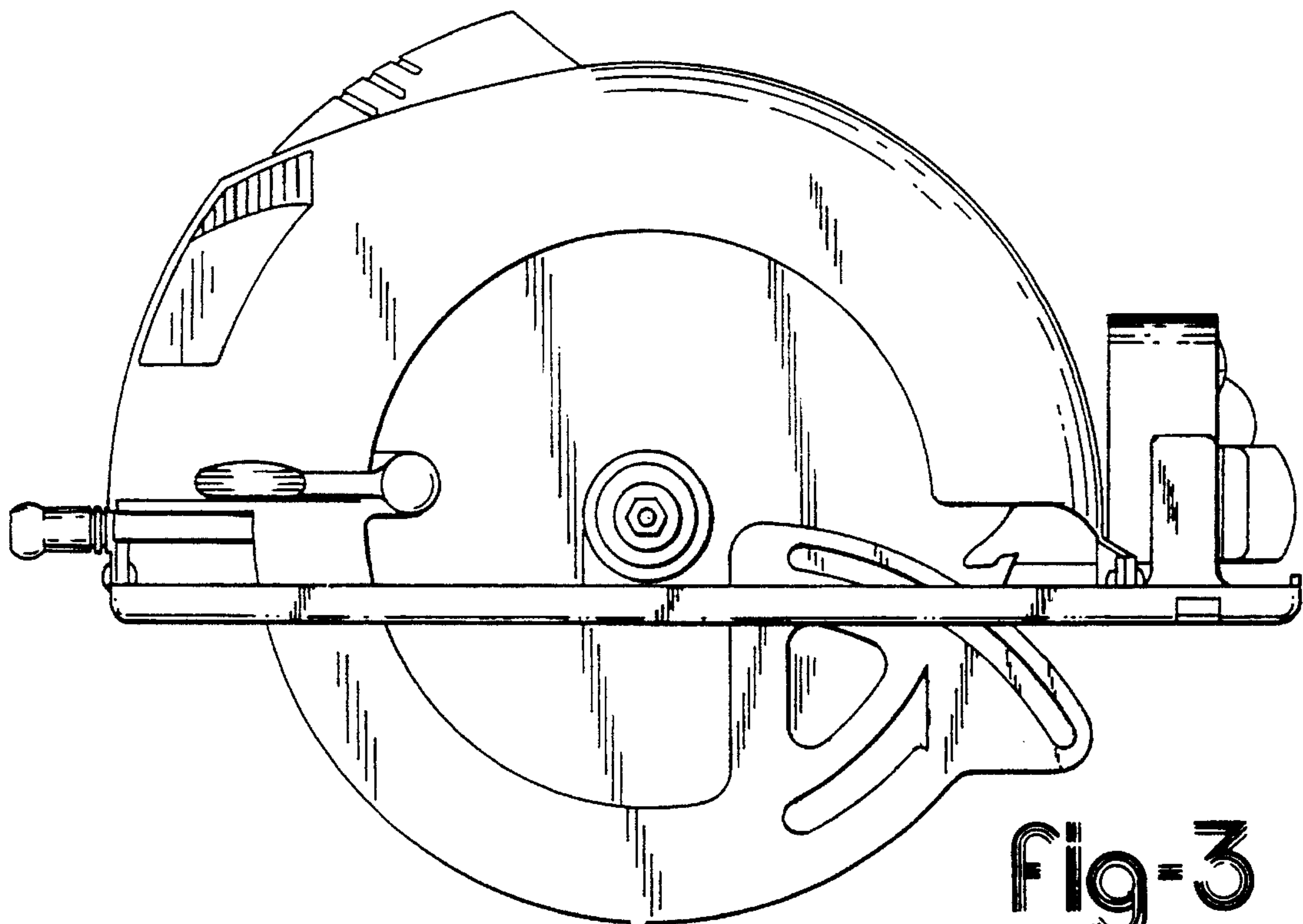


fig-3

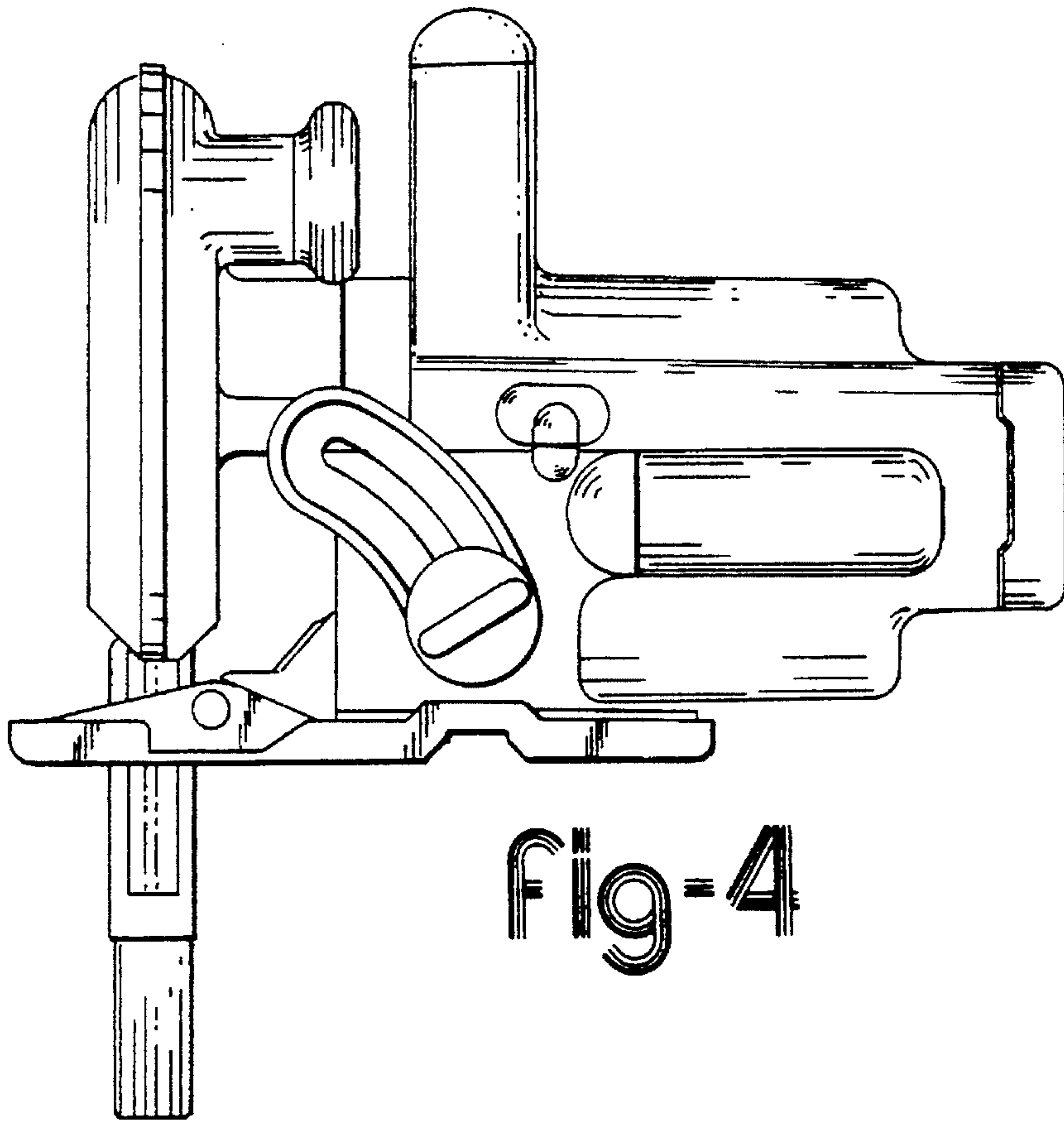


Fig-4

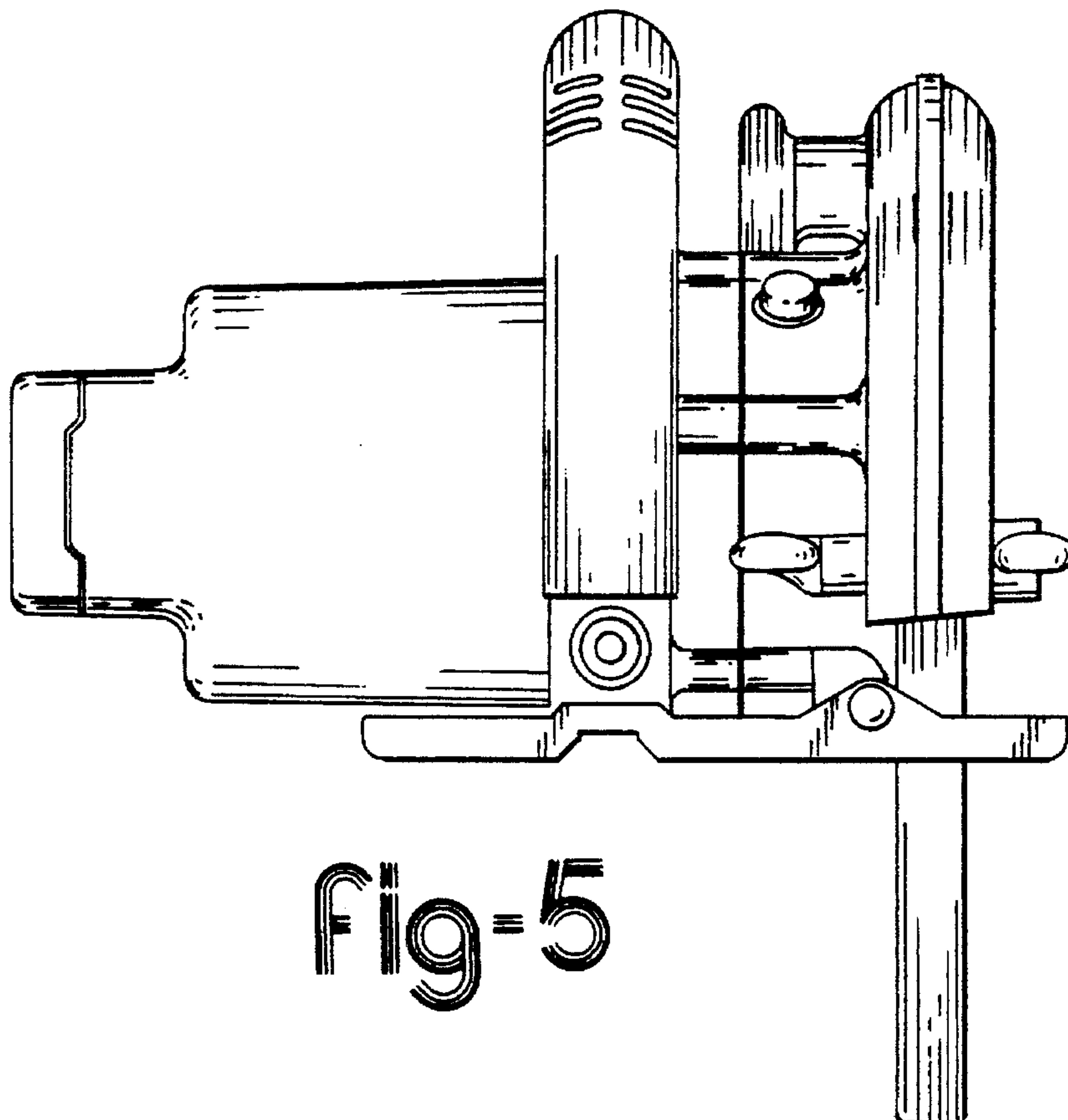


Fig-5

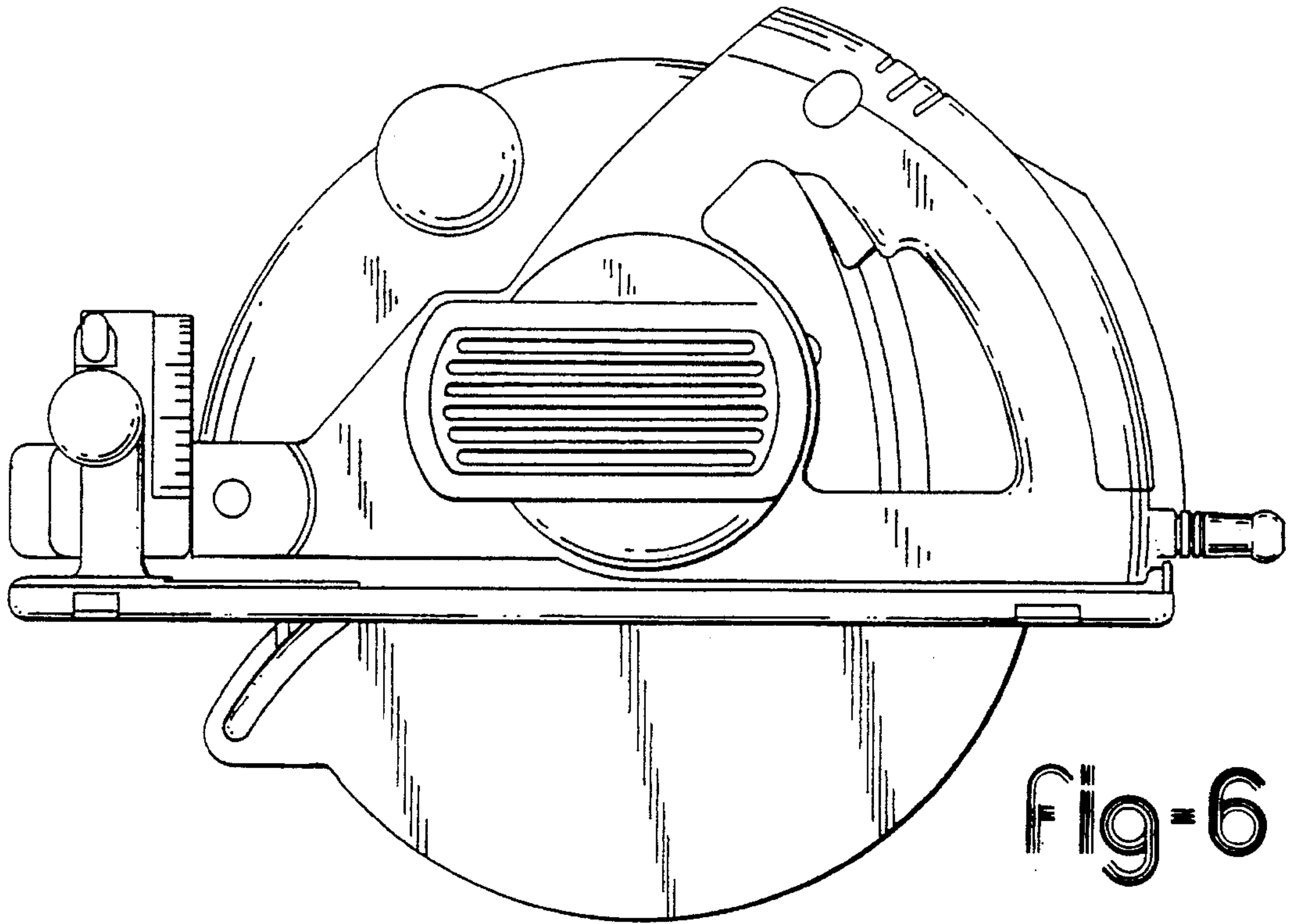


Fig-6

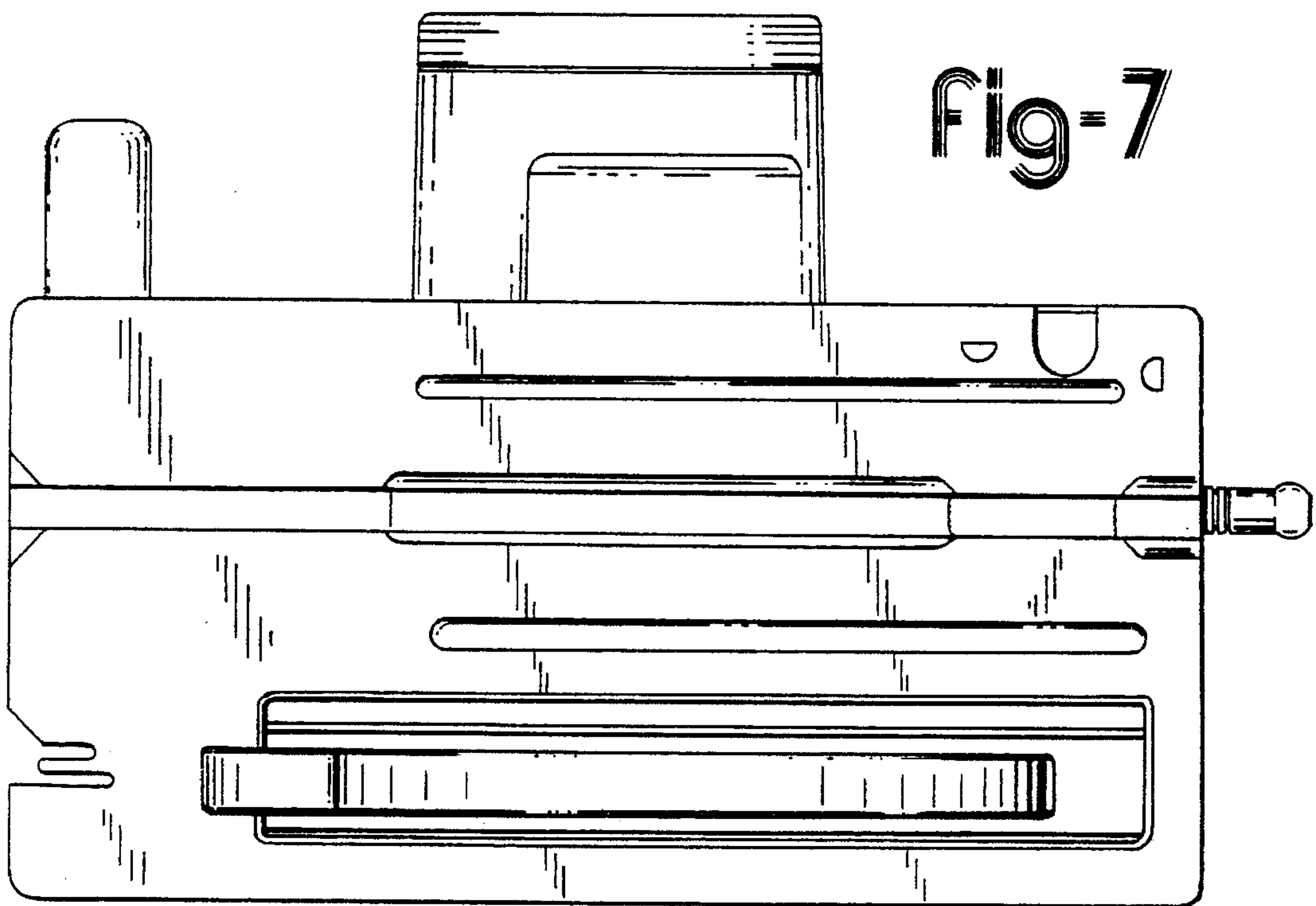


Fig-7

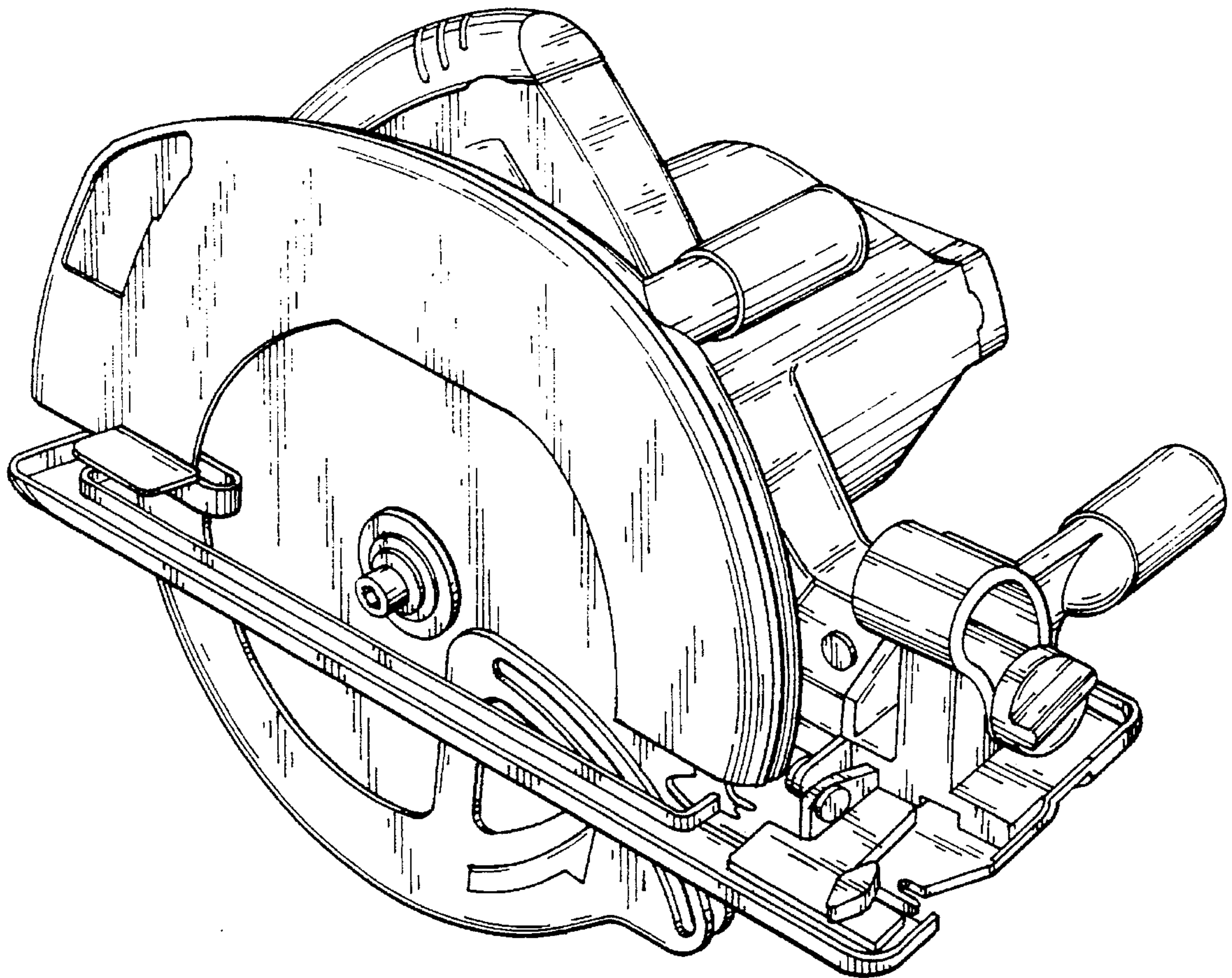


Fig-8

Fig-9

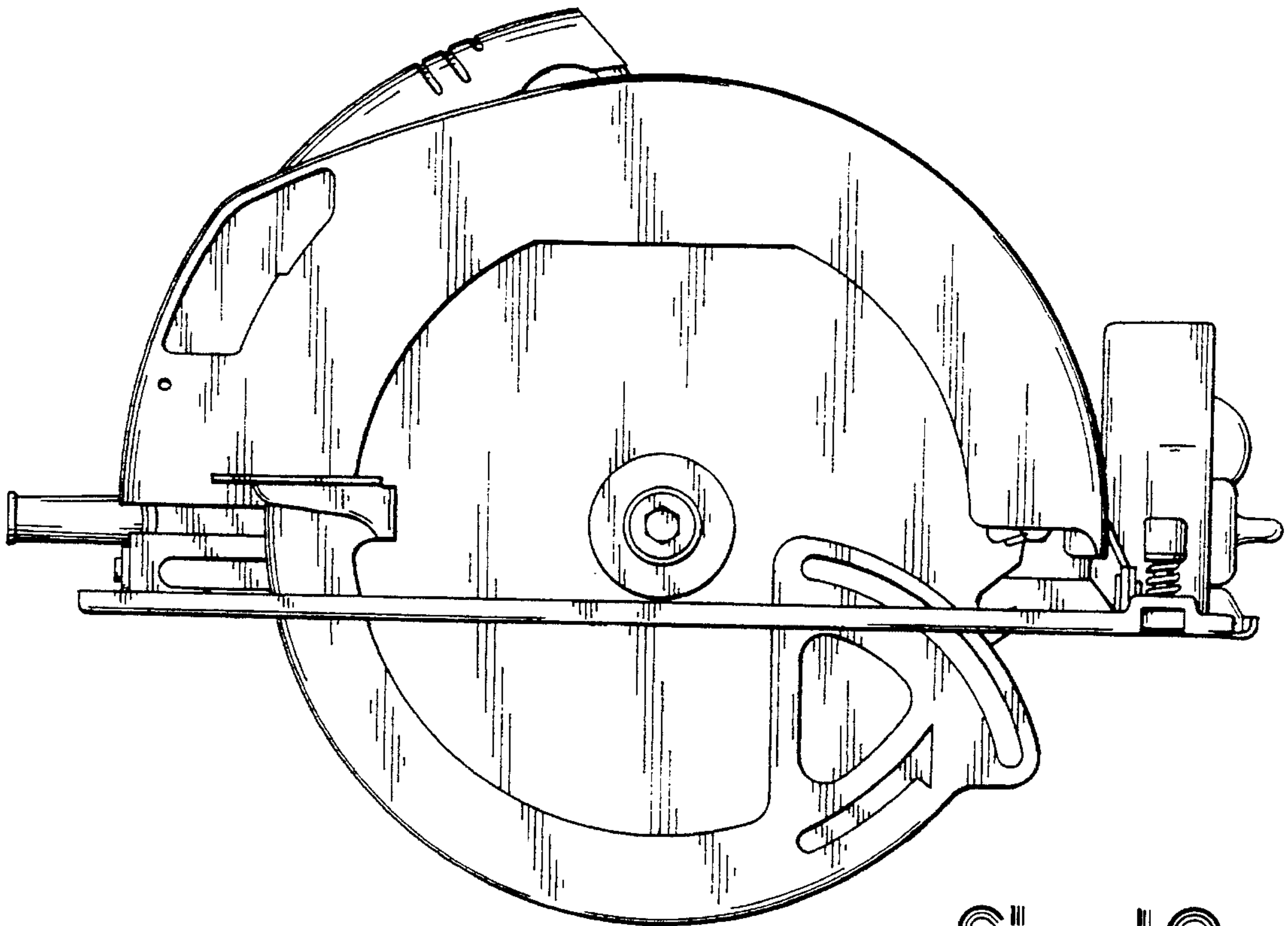
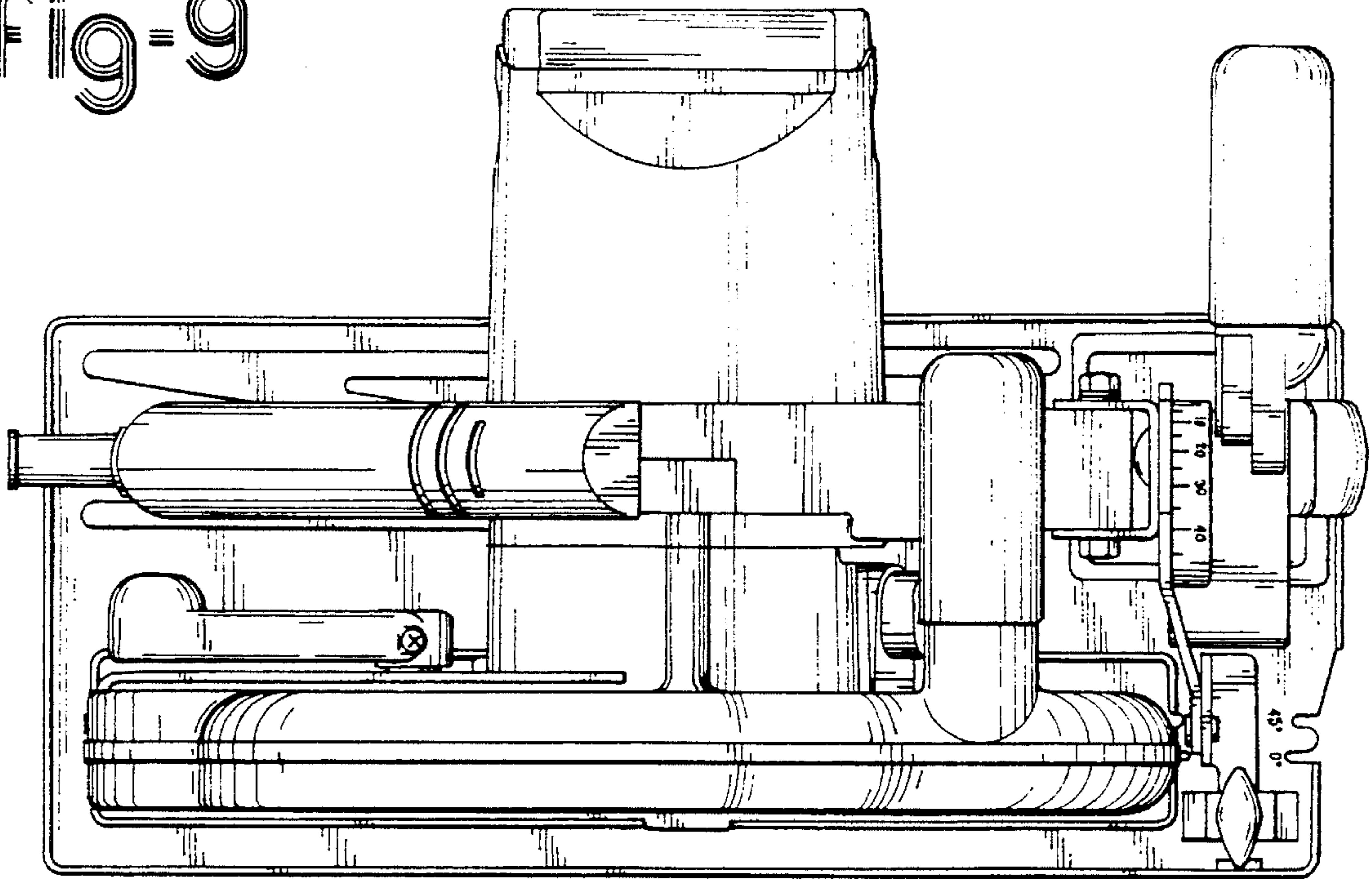
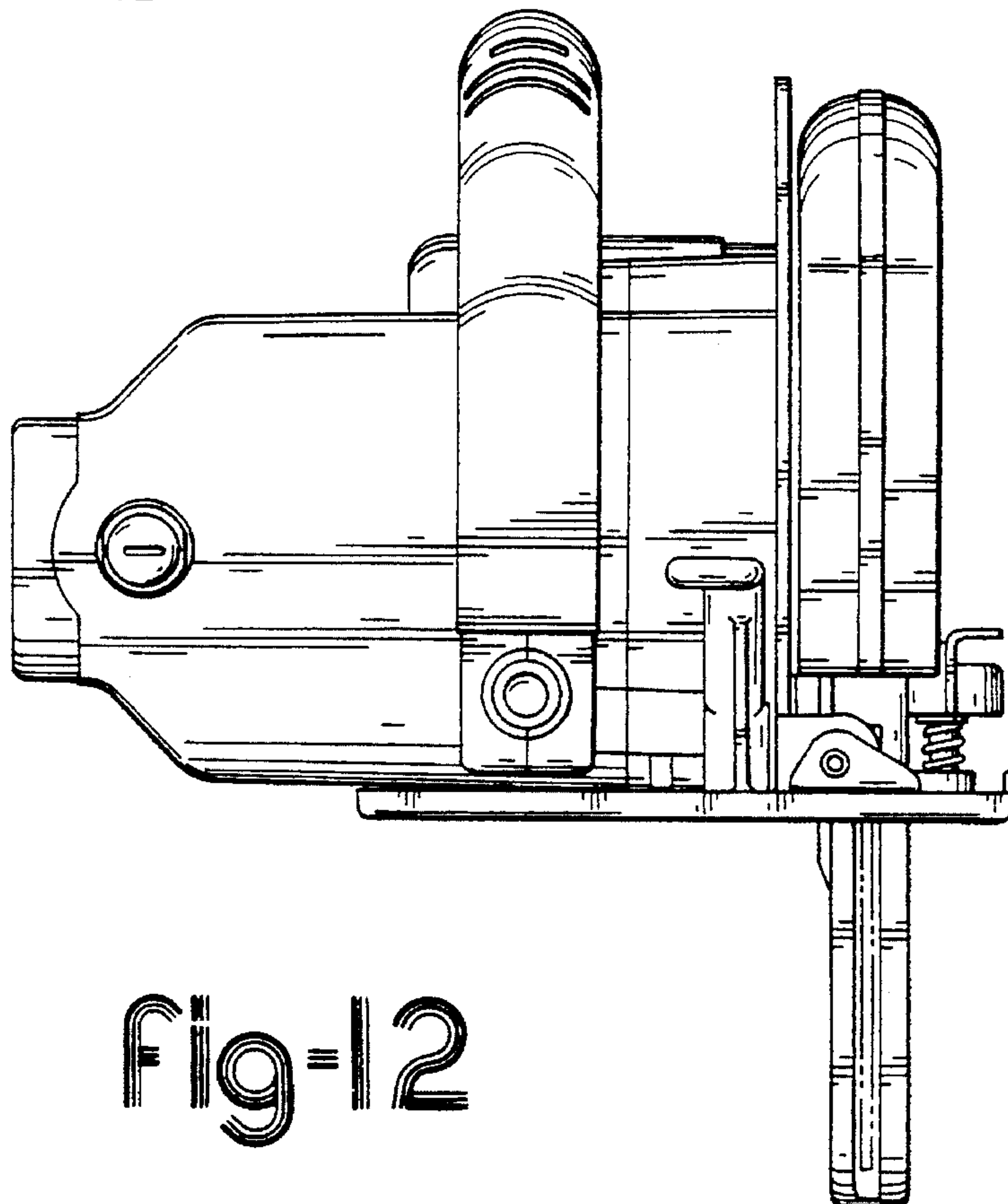
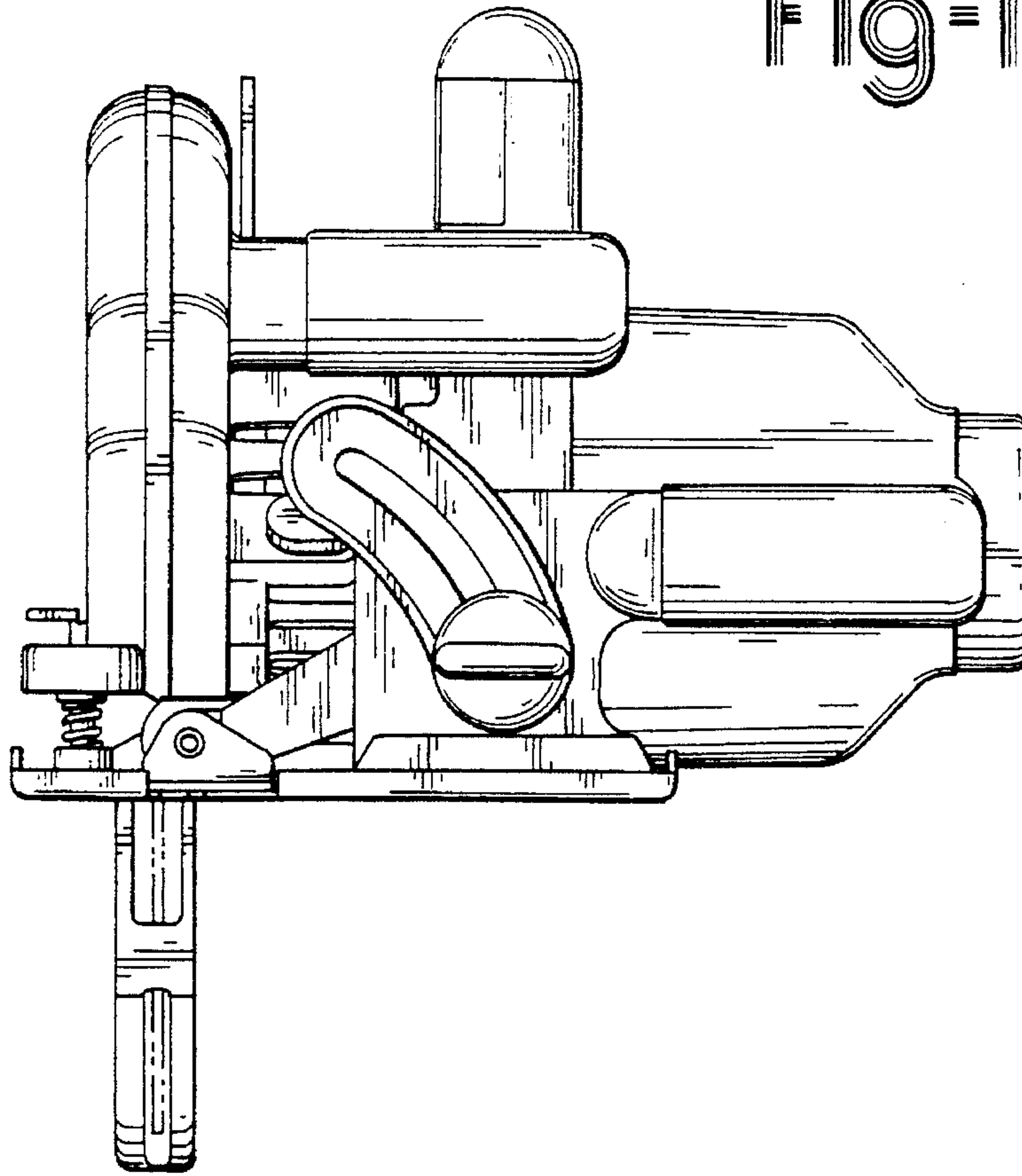


Fig-10

Fig=11



Fig=12

Fig-13

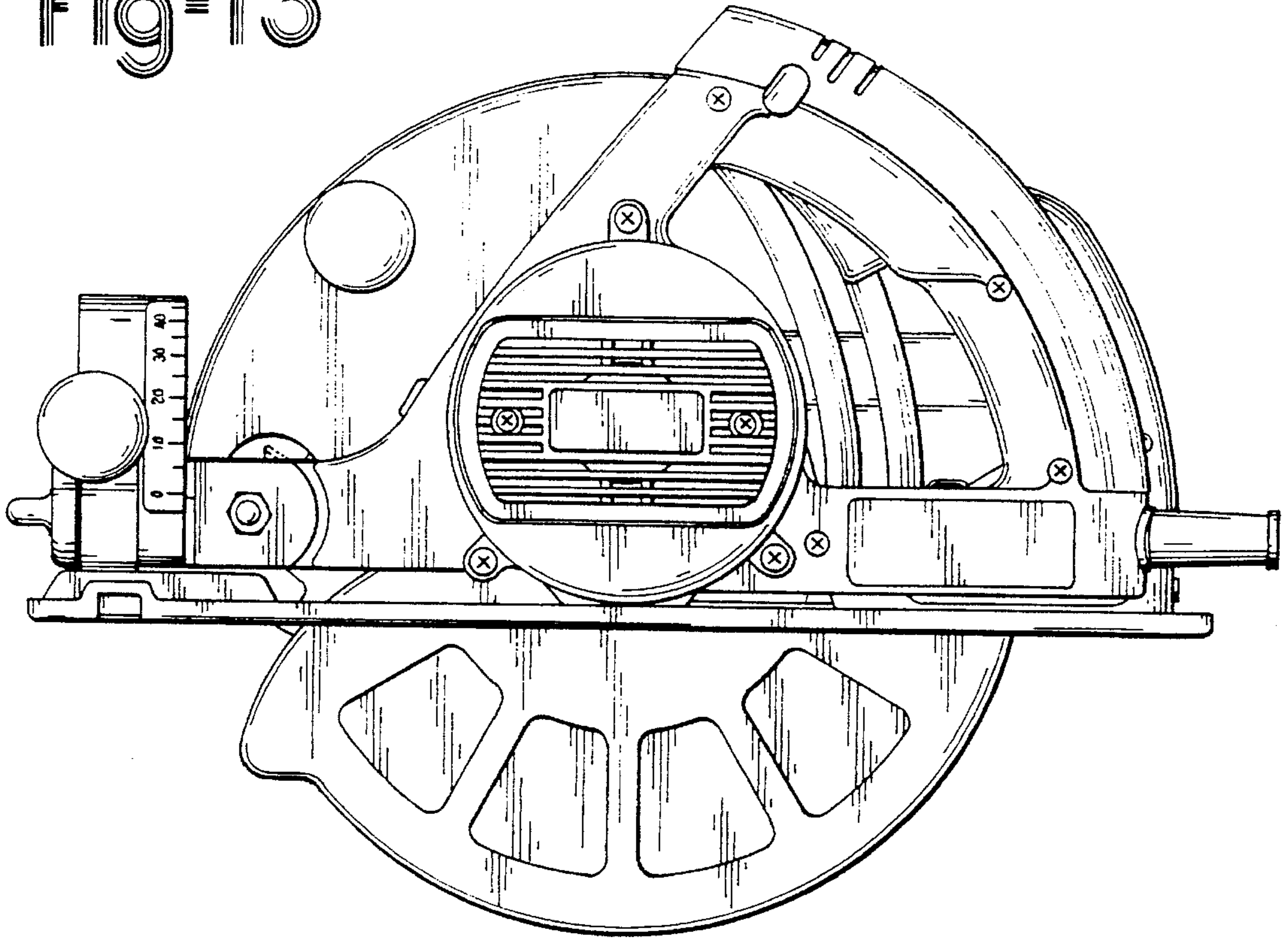


Fig-14

