



US00D370160S

United States Patent [19]

[11] Patent Number: **Des. 370,160**

Holcomb et al.

[45] Date of Patent: ****May 28, 1996**

[54] **CONDIMENT GRINDER**

[75] Inventors: **David Holcomb; Bradley B. Larsen,**
both of Seattle, Wash.

[73] Assignee: **Chef'N Corporation,** Seattle, Wash.

[**] Term: **14 Years**

[21] Appl. No.: **33,478**

[22] Filed: **Jan. 13, 1995**

[52] U.S. Cl. **D7/679**

[58] Field of Search **D7/590-597, 679;**
241/168, 169, 169.1; 222/142.1-142.9

2,679,360 5/1954 Arni 241/169
 2,683,566 7/1954 Bentley 241/169
 2,698,719 1/1955 Heard 241/169
 4,348,950 9/1982 Harris 99/510
 4,374,574 2/1983 David 241/169.1
 4,697,749 10/1987 Holcomb et al. 241/169
 5,082,190 1/1992 Chen 241/169.1

Primary Examiner—Terry A. Wallace
Attorney, Agent, or Firm—Seed and Berry

[57] CLAIM

The ornamental design for a condiment grinder, as shown and described.

DESCRIPTION

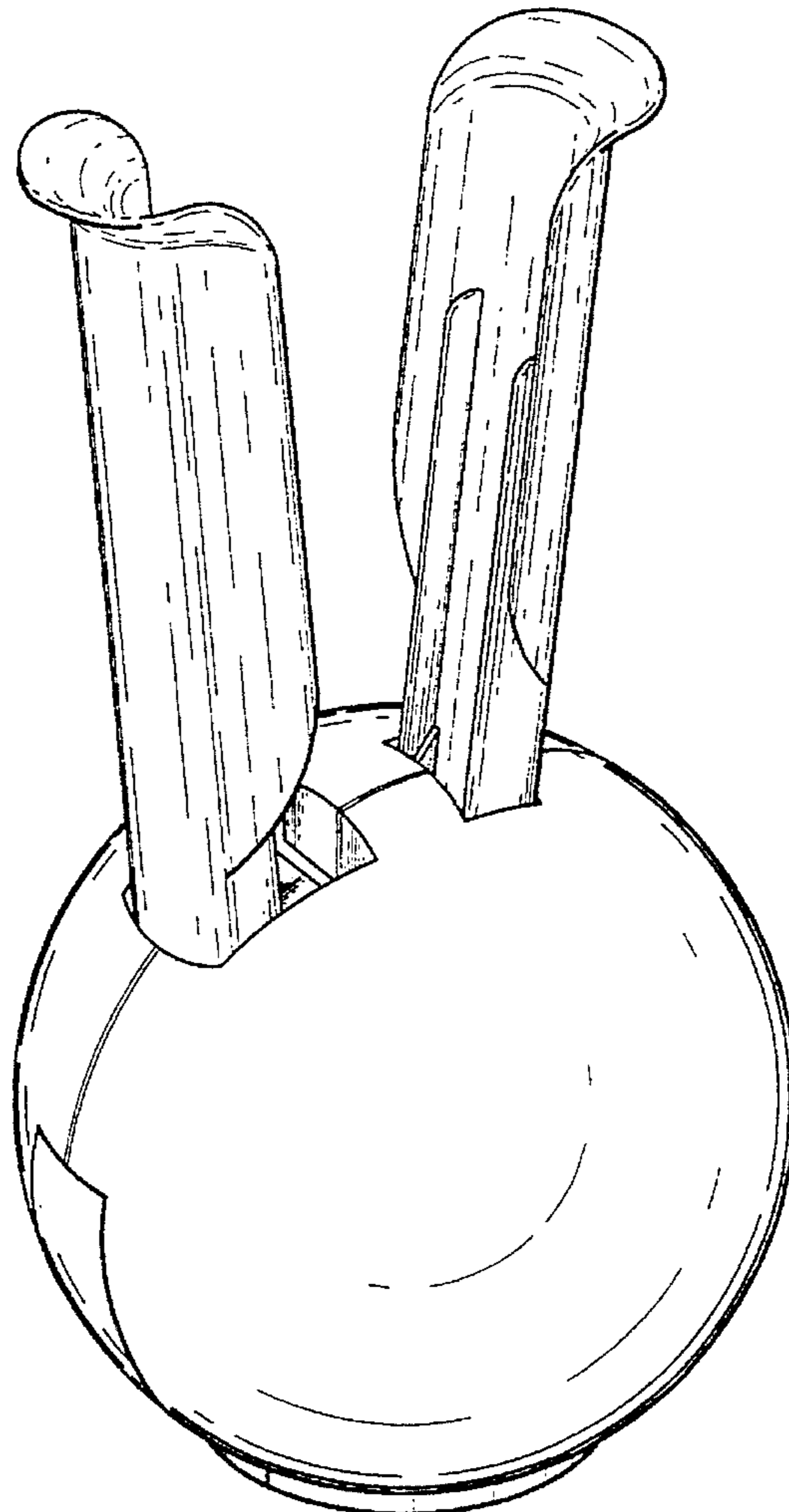
FIG. 1 is an isometric of a condiment grinder showing our new design;
 FIG. 2 is a top plan view thereof;
 FIG. 3 is a bottom plan view thereof;
 FIG. 4 is a side elevational view thereof;
 FIG. 5 is a side elevational view thereof from the opposite side;
 FIG. 6 is a front elevational view thereof; and,
 FIG. 7 is a rear elevational view thereof.

1 Claim, 3 Drawing Sheets

[56] References Cited

U.S. PATENT DOCUMENTS

134,458	12/1872	Blim .	
140,950	7/1873	Rankin .	
D. 289,126	4/1987	Holcomb et al. .	
D. 301,957	7/1989	David	D7/679
790,619	5/1905	Clough .	
1,412,883	4/1922	Maddux .	
2,045,058	6/1936	Stern	83/18
2,047,566	7/1936	Klingler	83/63



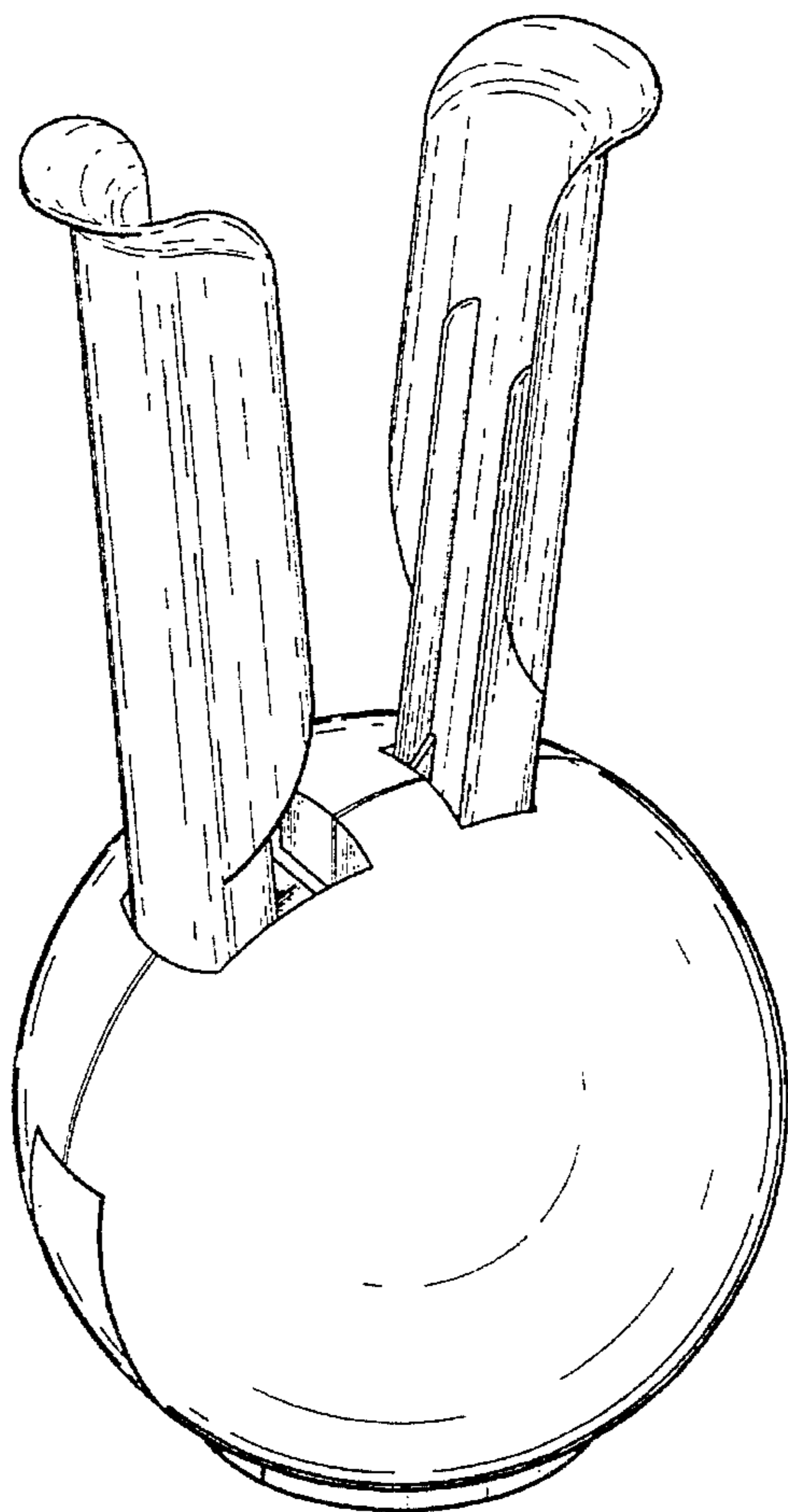


Fig. 1

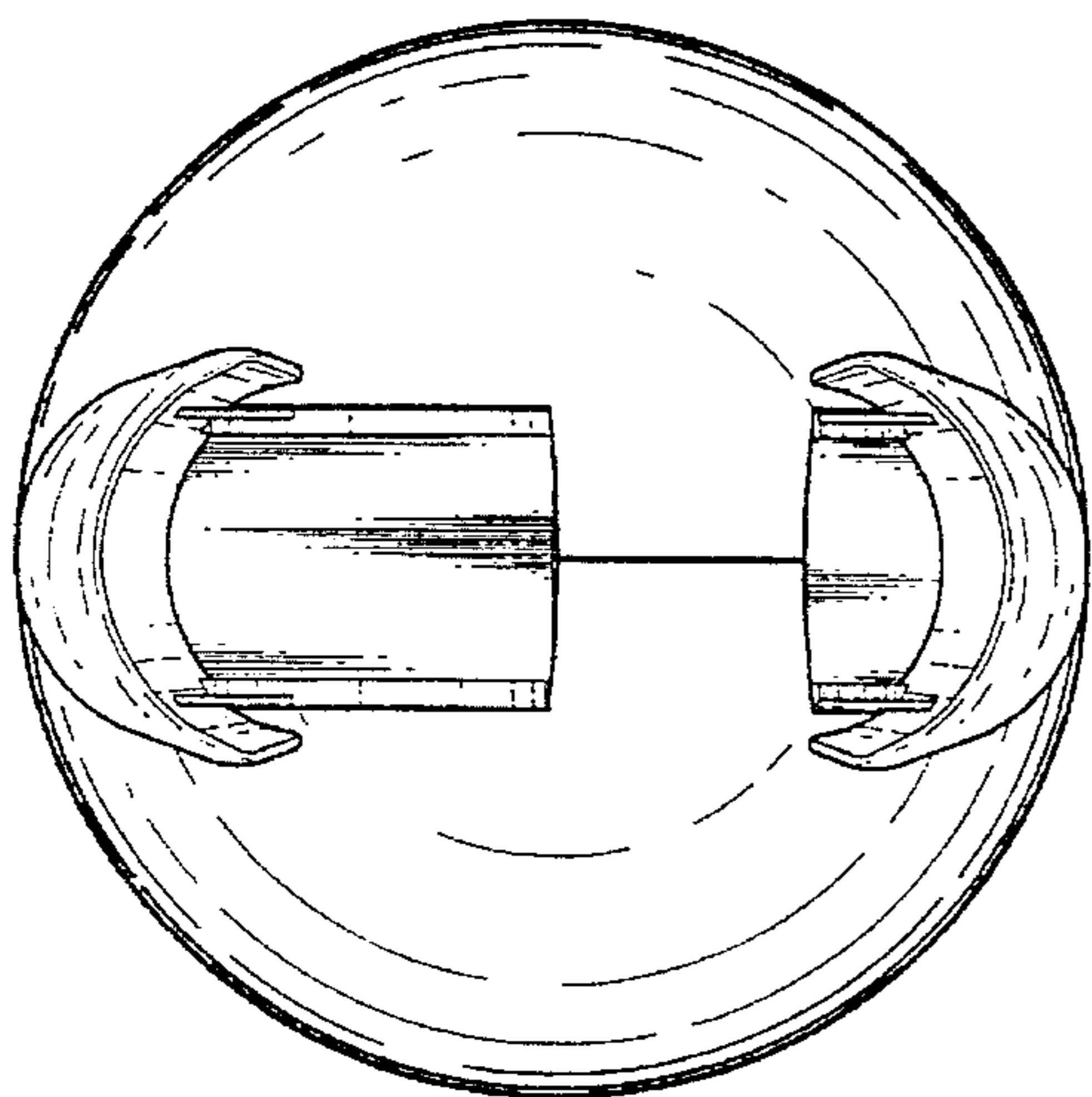


Fig. 2

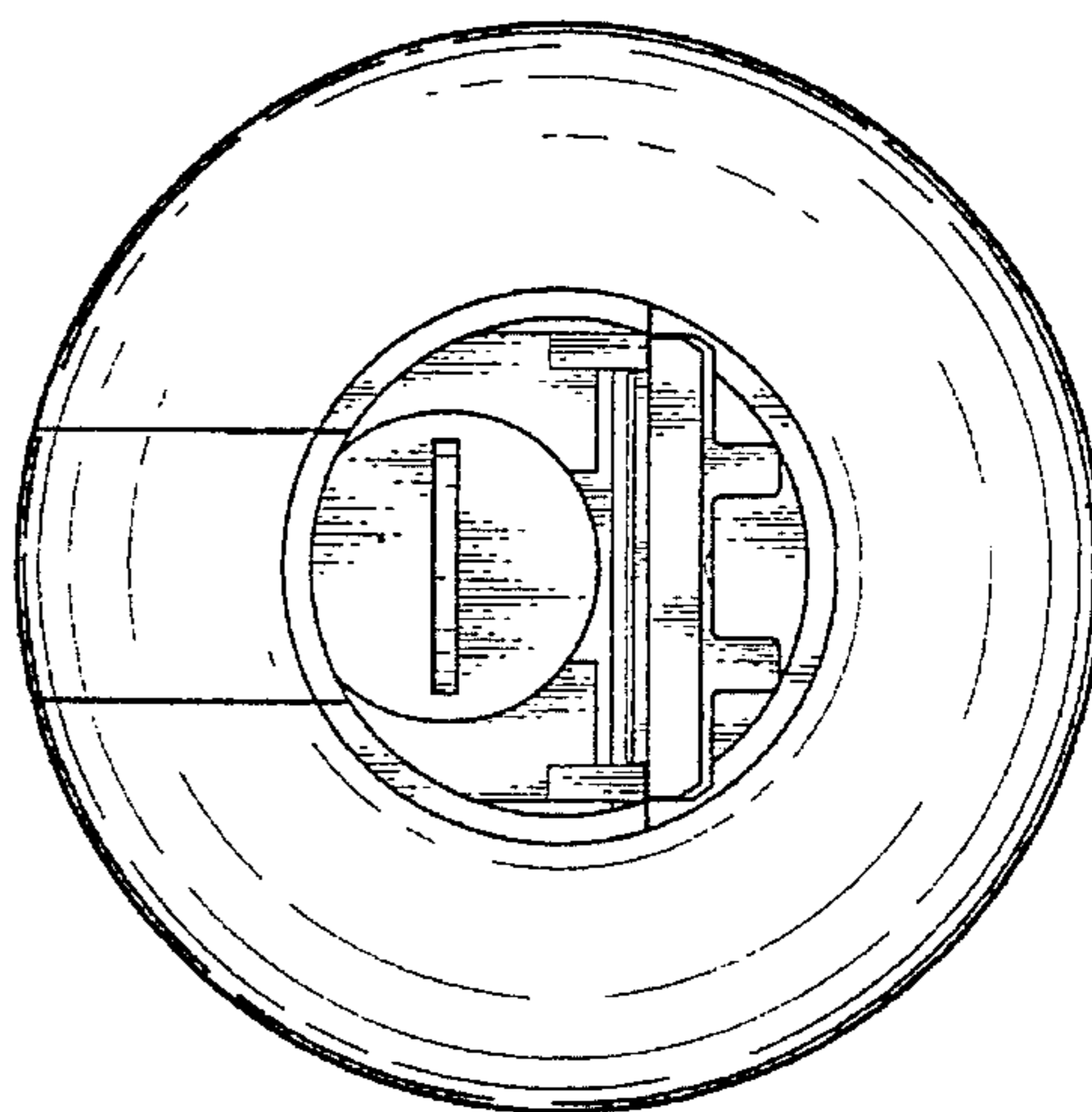


Fig. 3

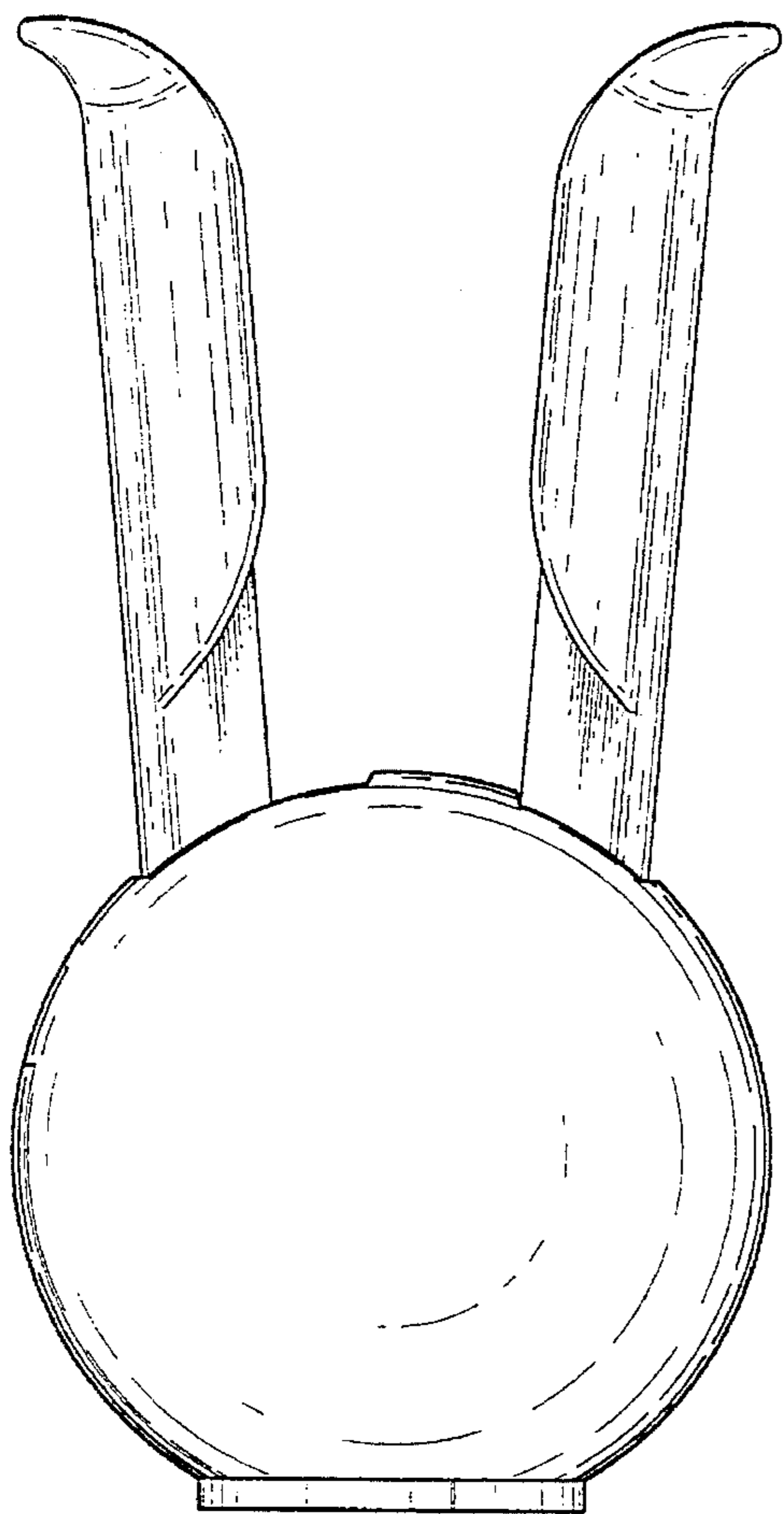


Fig. 4

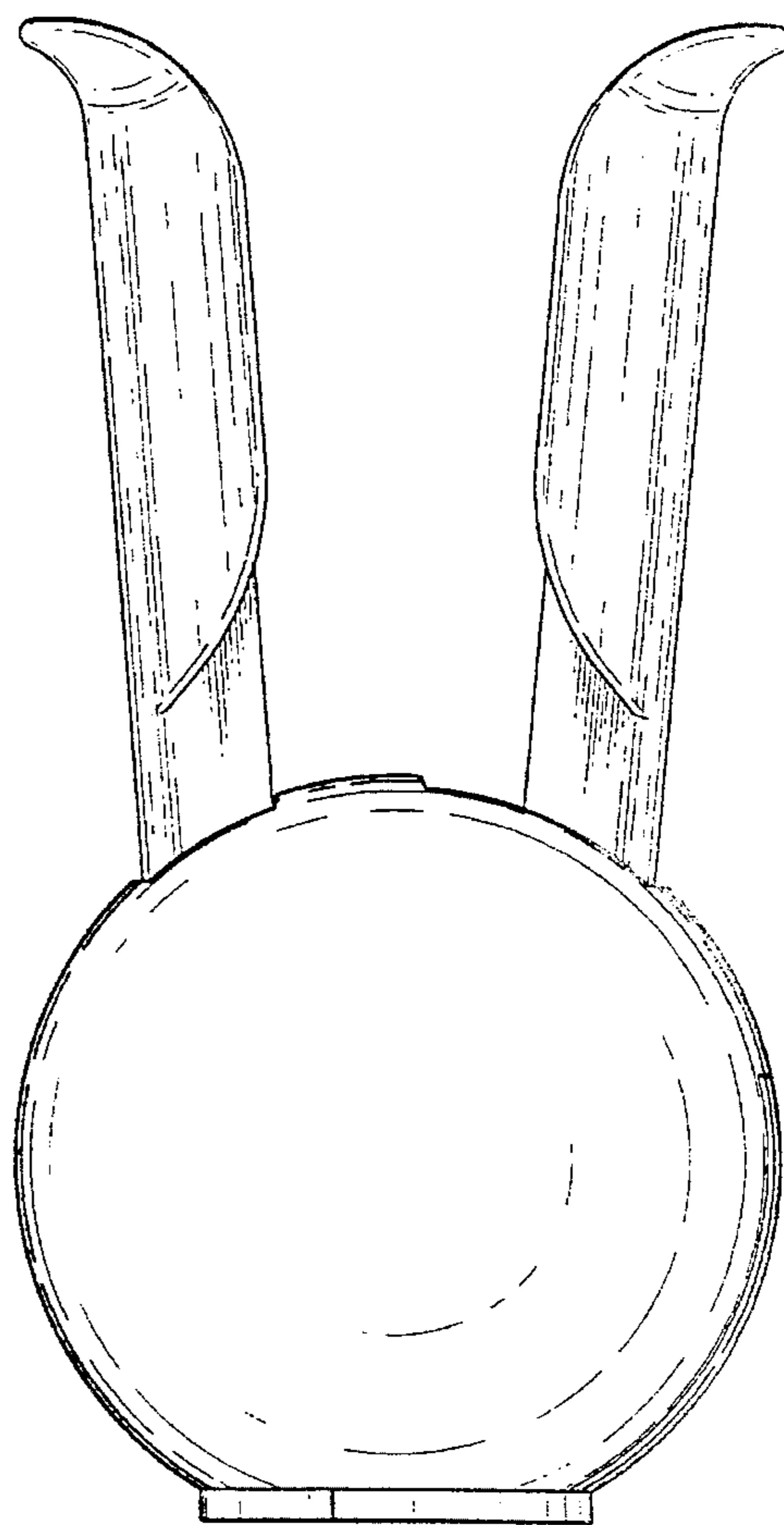


Fig. 5

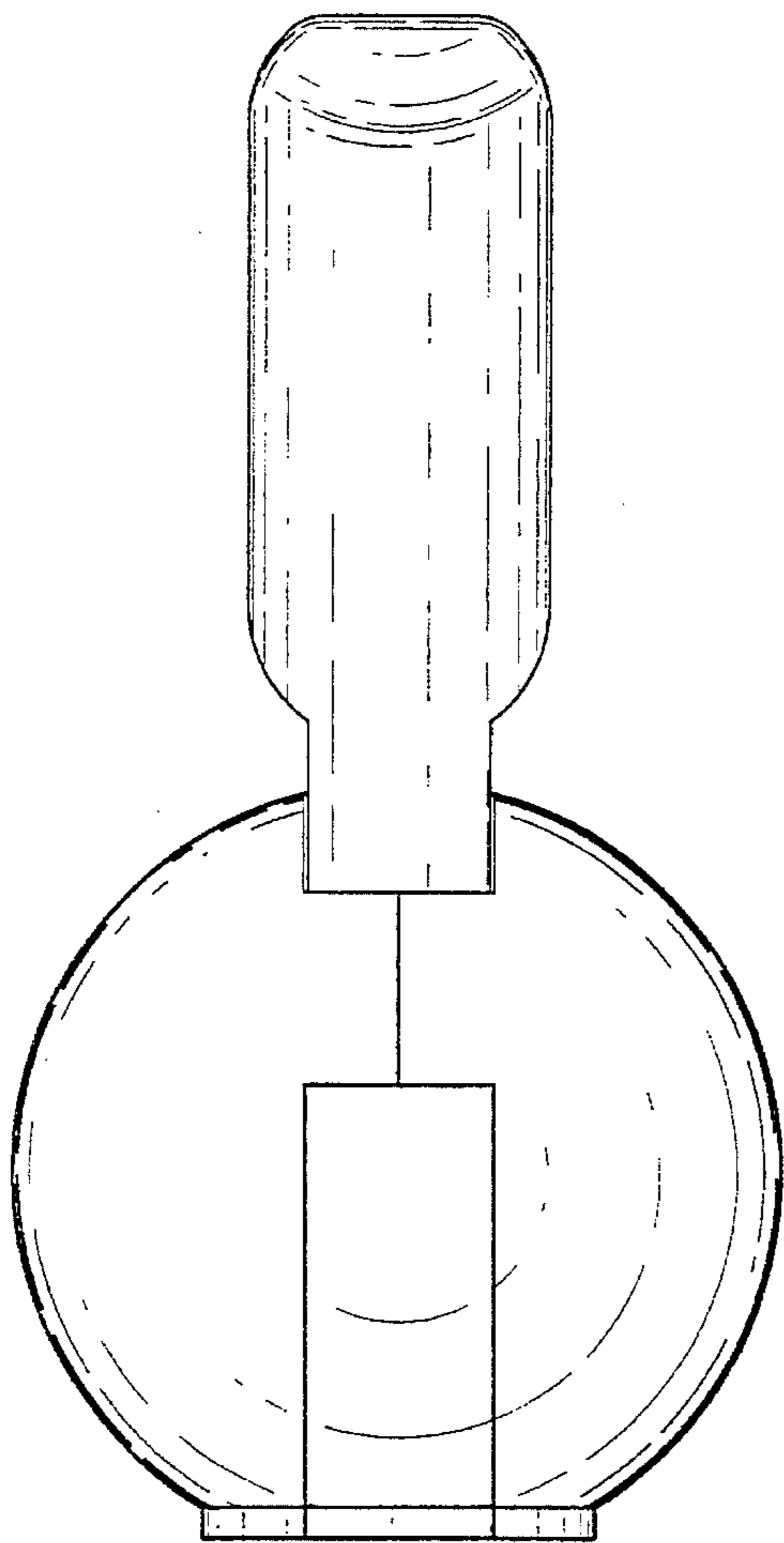


Fig. 6

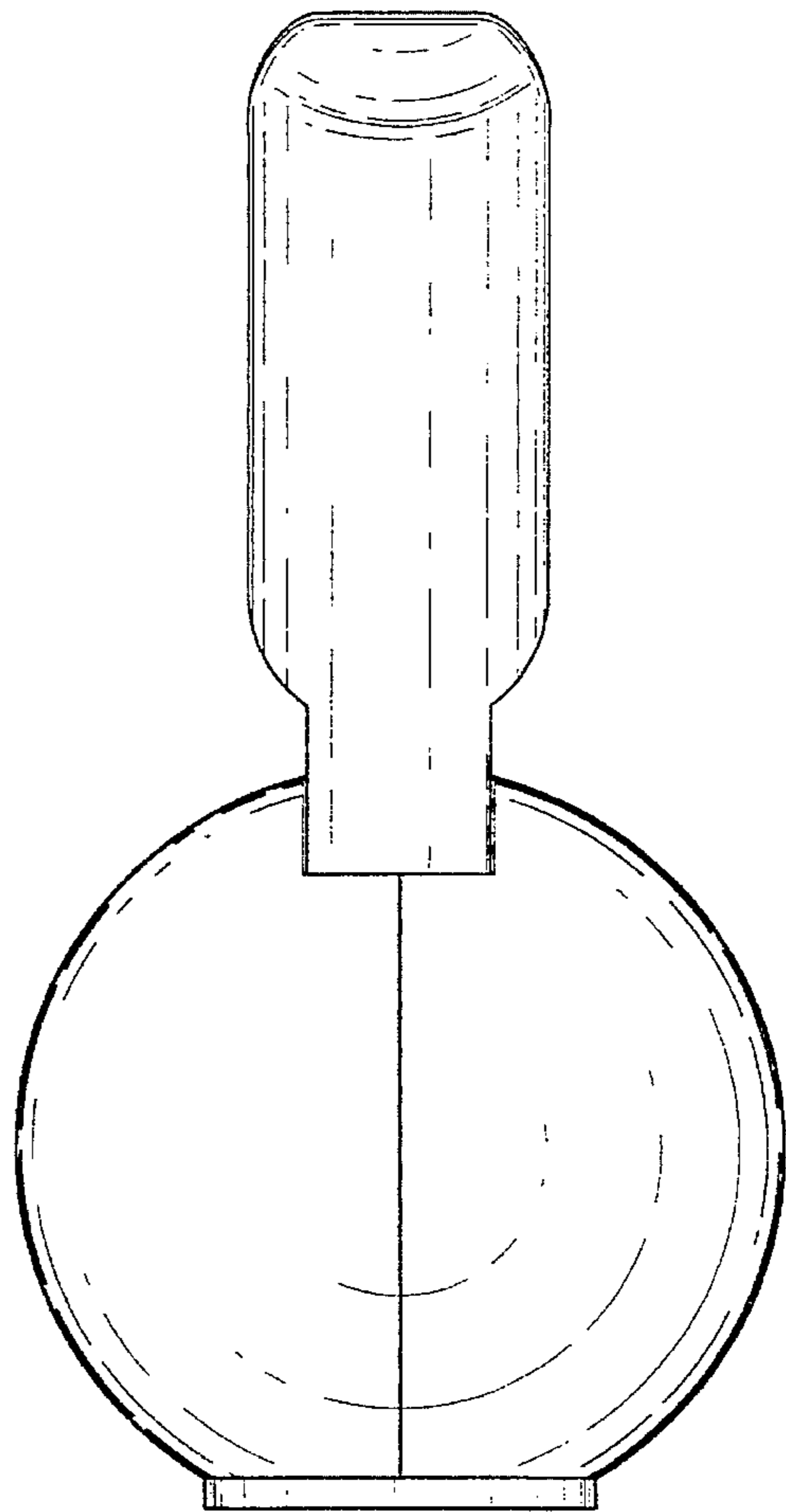


Fig. 7