



US00D370159S

# United States Patent [19]

Fenton et al.

[11] Patent Number: **Des. 370,159**

[45] Date of Patent: **\*\*May 28, 1996**

[54] **ICE CHEST WITH WHEELS**

[75] Inventors: **Timm Fenton**, Wooster, Ohio; **Dan Hurtienne**, Arkansas City, Kans.

[73] Assignee: **Rubbermaid Specialty Products Inc.**, Wooster, Ohio

[\*\*] Term: **14 Years**

[21] Appl. No.: **39,874**

[22] Filed: **Jun. 6, 1995**

[52] U.S. Cl. .... **D7/605**

[58] Field of Search ..... **D7/605-608; D15/79; D34/12, 14, 24, 25; 62/457.1, 457.7, 371; 220/412; 280/30, 47.17, 655.1**

### [56] References Cited

#### U.S. PATENT DOCUMENTS

D. 197,814	3/1964	Piker .	
D. 232,798	9/1974	Roche .	
D. 237,135	10/1975	Wiani .	
D. 244,822	6/1977	Havely et al. .	
D. 257,934	1/1981	Buss .	
D. 322,198	12/1991	Dringenburg .....	D7/605
D. 325,323	4/1992	Kahl .....	D7/605
D. 328,221	7/1992	Piccarillo .....	D7/605
D. 328,689	8/1992	Riskowski .....	D7/605
D. 340,620	10/1993	Peters .....	D7/605
D. 341,060	11/1993	Litt et al. ....	D7/605
D. 350,048	8/1994	Kahl et al. ....	D7/605
D. 352,208	11/1994	Brookshire .....	D7/605
D. 353,304	12/1994	Friedrich et al. ....	D7/605
D. 354,419	1/1995	Kahl et al. ....	D7/605
3,591,194	7/1971	Vega .....	280/47.26
3,791,547	2/1974	Branscum .....	220/17
4,024,731	5/1977	Branscum .....	62/457
4,460,188	7/1984	Maloof .....	280/30
4,696,412	9/1987	McGowan et al. ....	220/335
4,724,681	2/1988	Bartholomew et al. ....	62/239
4,846,493	7/1989	Mason .....	280/641
4,873,841	10/1989	Bradshaw et al. ....	62/239
4,932,677	6/1990	Shustack .....	280/28.5
4,976,448	12/1990	Wickersham et al. ....	280/47.2
5,169,164	12/1992	Bradford .....	280/35

5,184,477	2/1993	Brown et al. ....	62/457.7
5,228,706	7/1993	Boville .....	280/43.22
5,249,438	10/1993	Rhaney et al. ....	62/457.7
5,259,215	11/1993	Rocca .....	62/371
5,269,157	12/1993	Ciminelli et al. ....	62/457.7
5,313,817	5/1994	Meinders .....	62/457.1
5,373,708	12/1994	Dumoulin .....	62/457.7

#### OTHER PUBLICATIONS

Sell sheet, Cooler; Y Designs, address unknown. Published at least as early as Mar. 1995.

Pp. 11, 13 and 15, Coolers; Igloo Products Corp. P.O. Box 19322, Houston, Texas 77224-9322. Publication date 1985.

P. 27, Coolers; Igloo Products Corp. P.O. Box 19322, Houston, Texas 77224-9322. Publication date 1994.

P. 10, Coolers; The Coleman Company, 250 North St. Francis, Wichita, Kansas 67202. Publication date 1988.

Sell sheet, Cooler; Bee Plastics Corp., 2660 North Clybourn Avenue, Chicago, Illinois 60614. Publication date 1975.

Pp. 6 and 7, Coolers; Artic, Fremont Plastic Molds, Ltd., 478 West State Street, P.O. Box 505, Fremont, Ohio 43420. Publication date 1987.

Pp. 10, 12 and 13, Coolers; Rubbermaid Specialty Products Inc., 1147 Akron Road, Wooster, Ohio 44691. Publication date 1991.

*Primary Examiner*—Terry A. Wallace  
*Attorney, Agent, or Firm*—Richard B. O'Planick; Lisa B. Riedesel

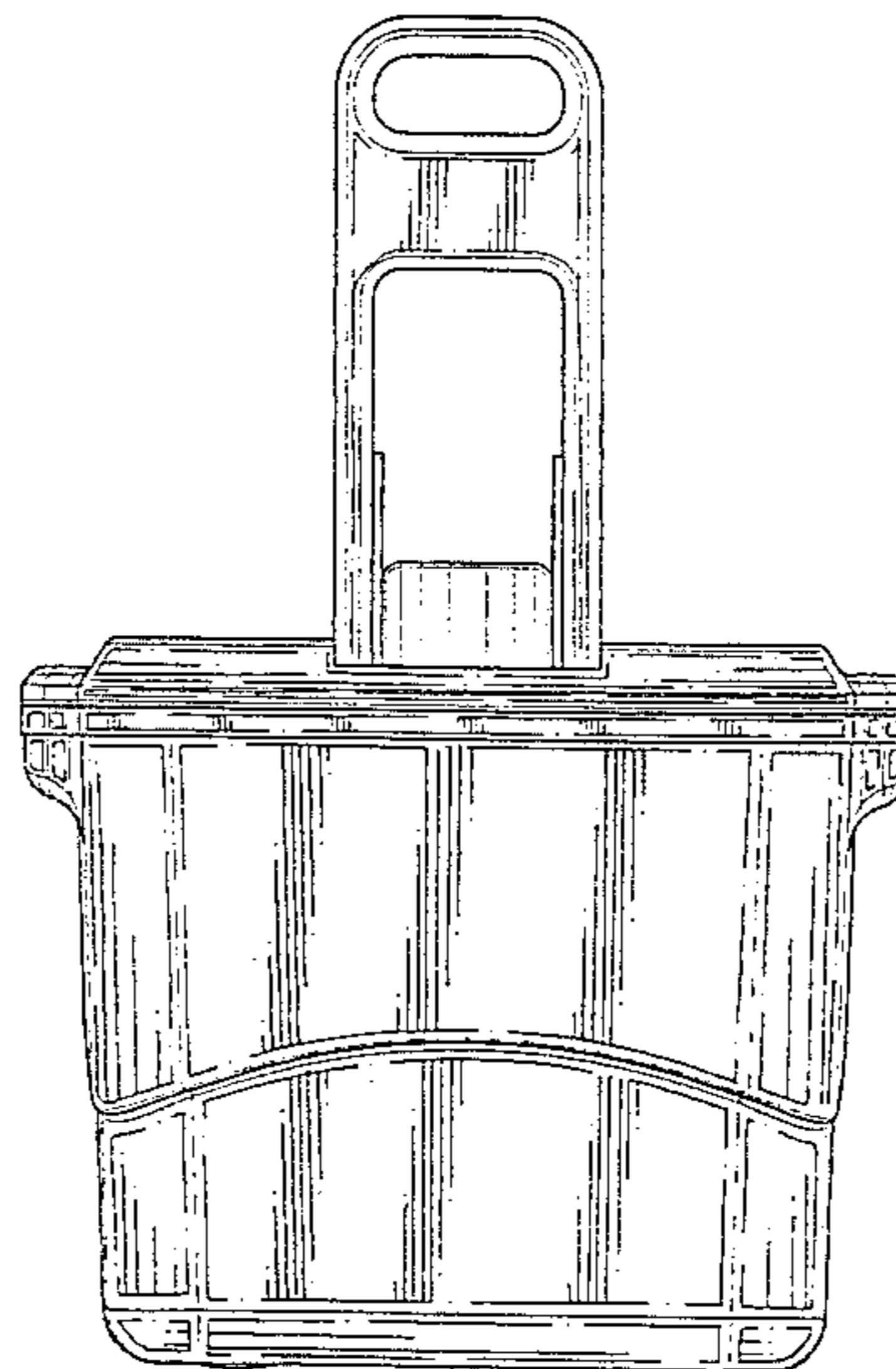
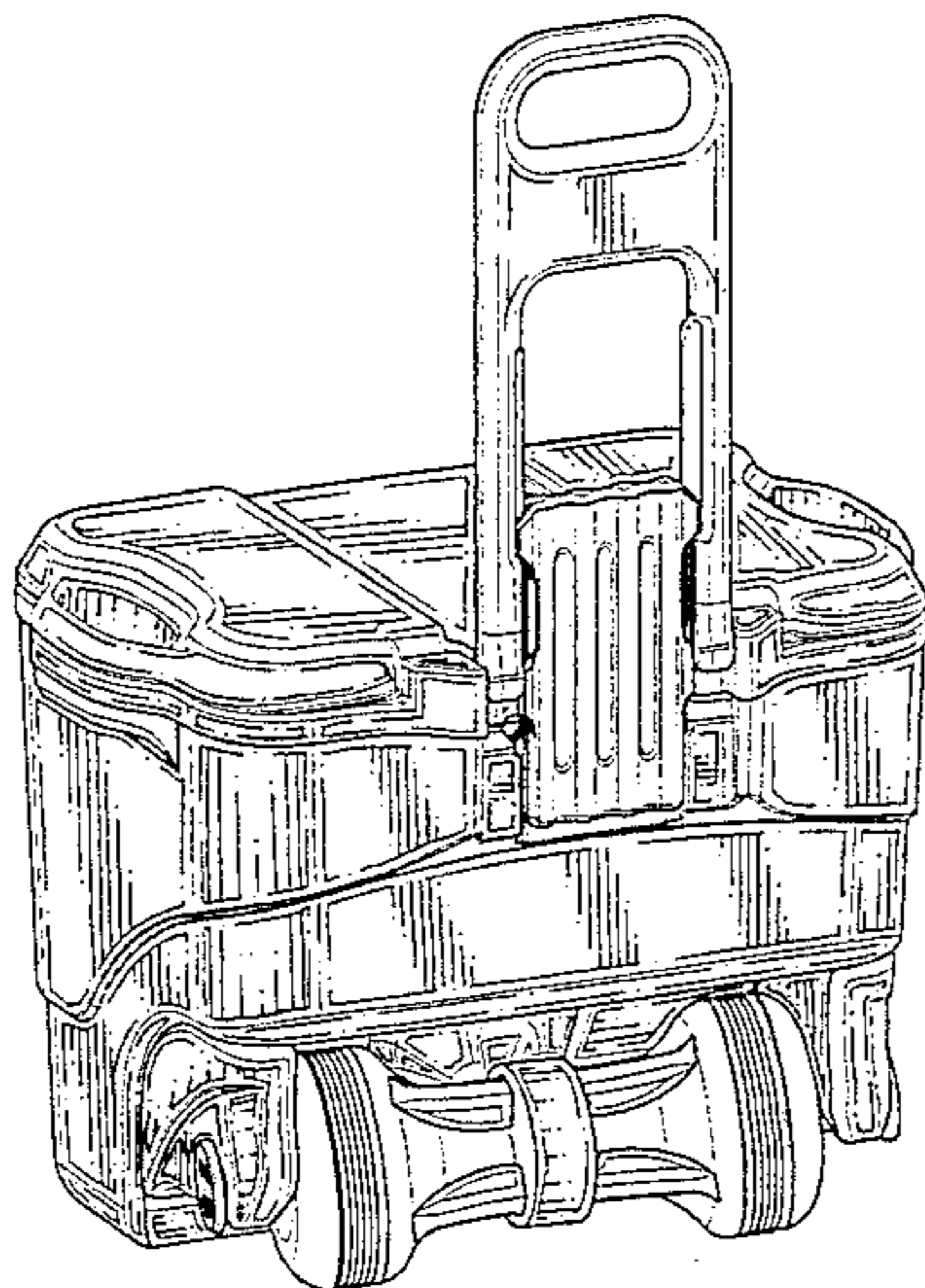
#### [57] CLAIM

The ornamental design for an ice chest with wheels, as shown and described.

#### DESCRIPTION

FIG. 1 is a top left rear perspective view of an ice chest with wheels showing our new design;  
 FIG. 2 is a right side elevational view thereof; the left side elevational view being a mirror image;  
 FIG. 3 is a front elevational view thereof;  
 FIG. 4 is a rear elevational view thereof;  
 FIG. 5 is a top plan view thereof; and,  
 FIG. 6 is a bottom plan view thereof.

1 Claim, 6 Drawing Sheets



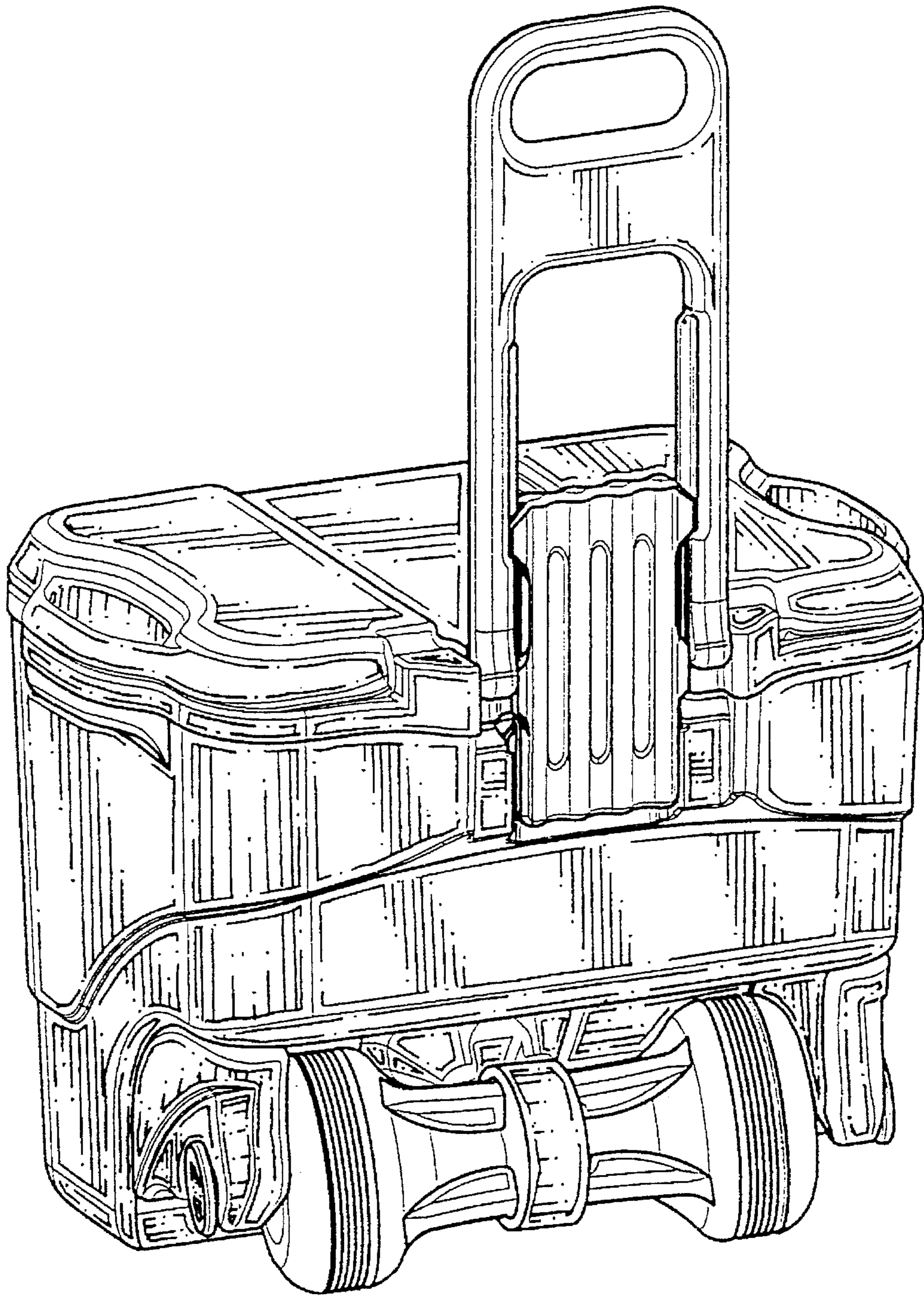


FIG. 1

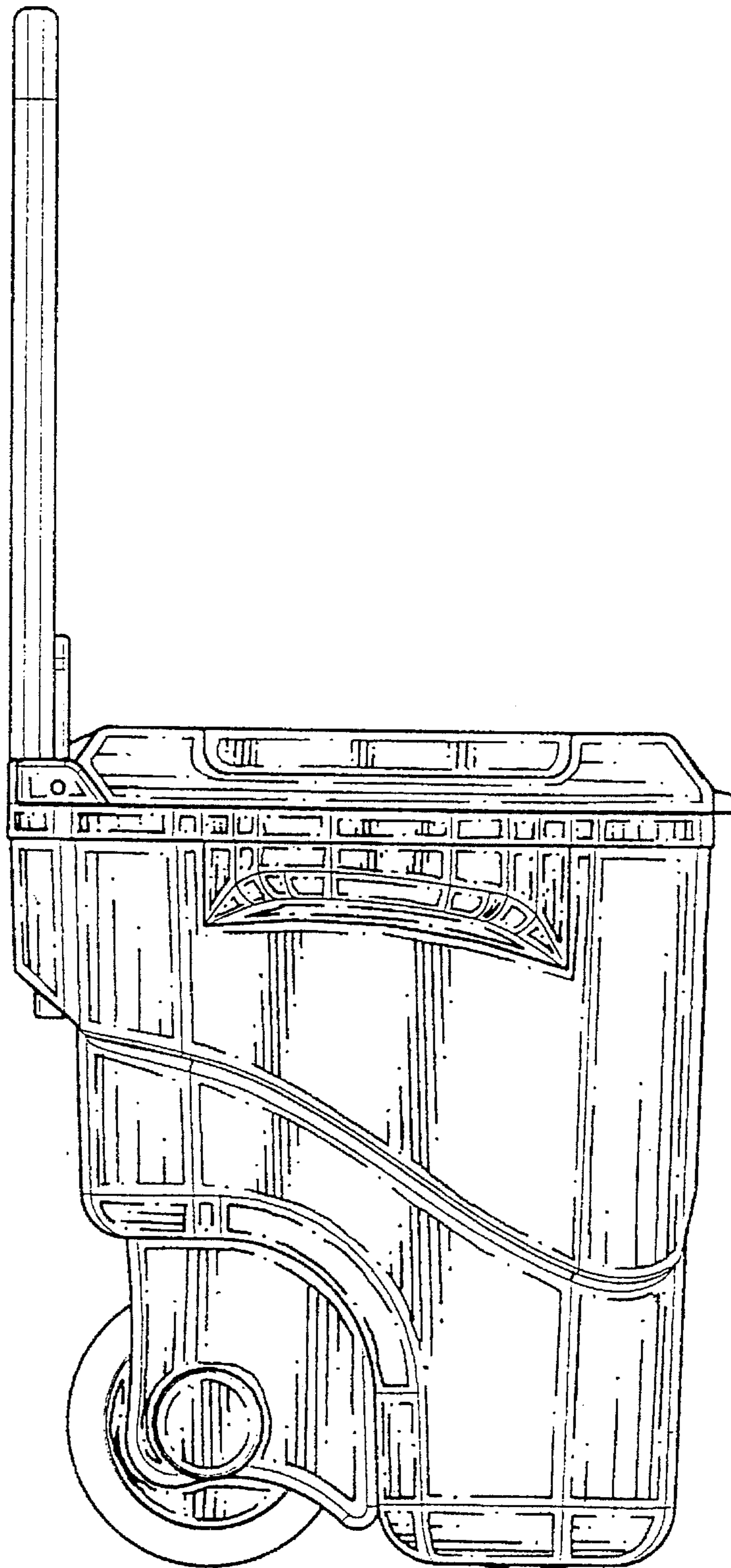


FIG. 2

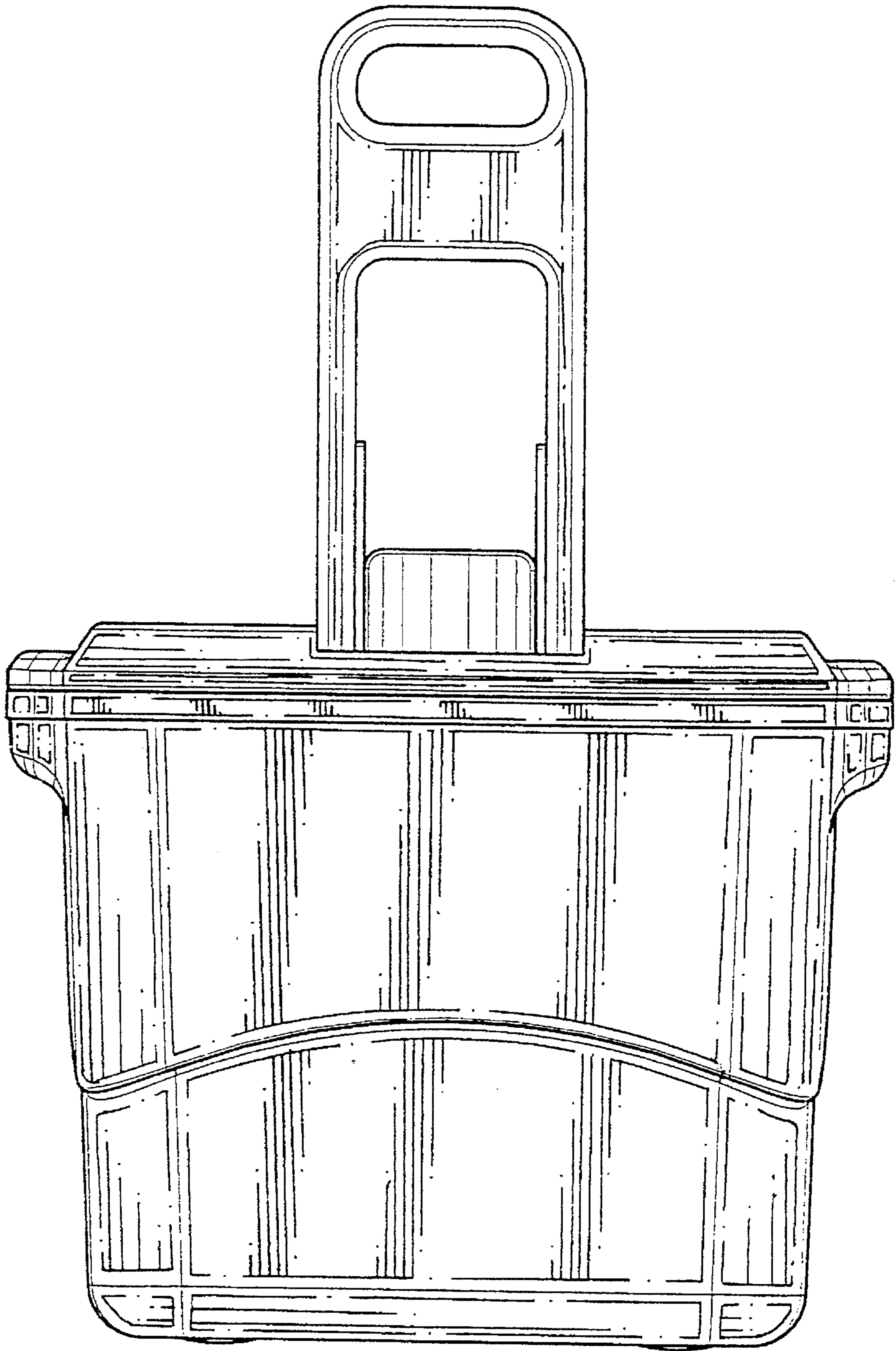


FIG. 3

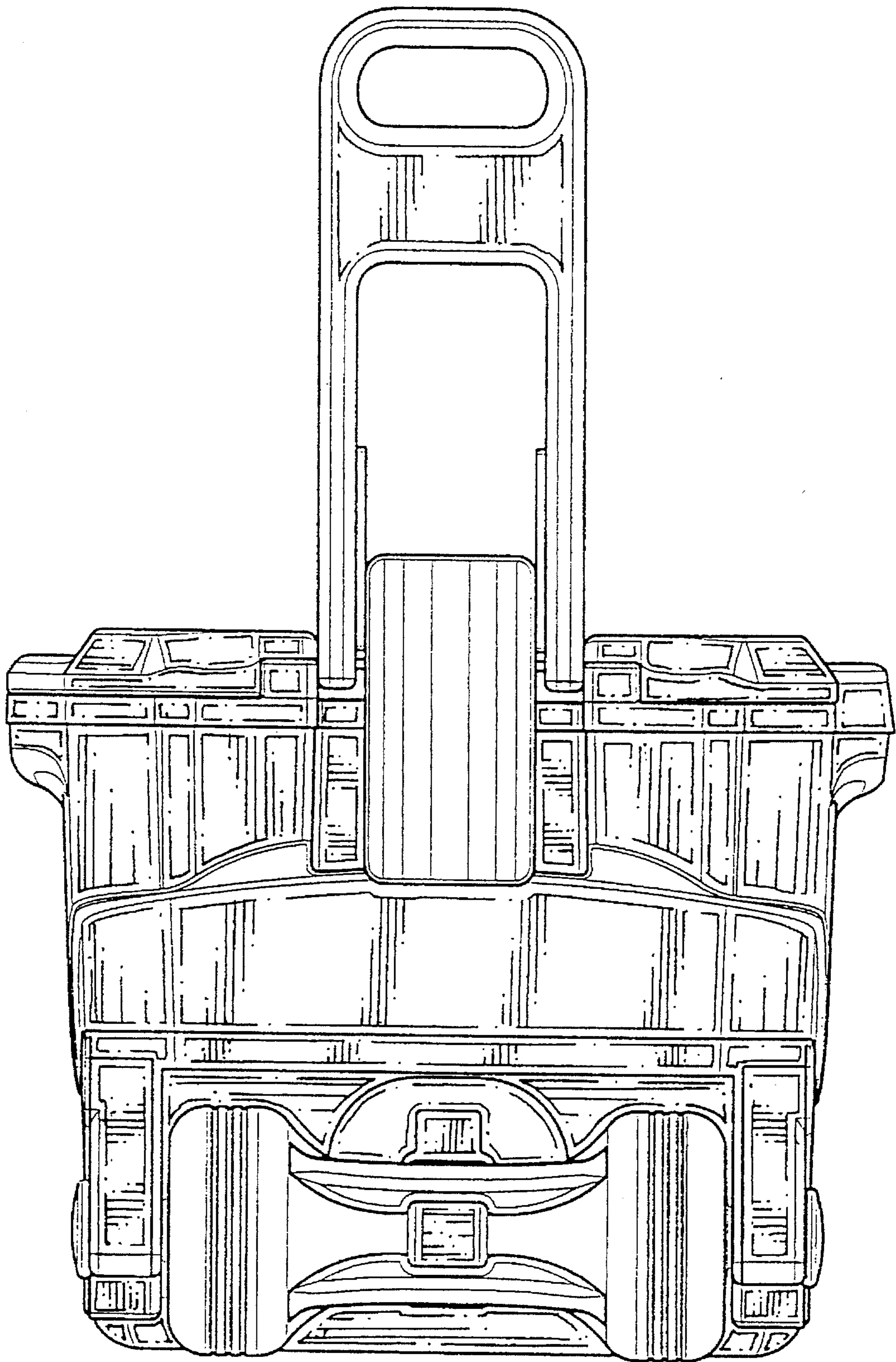


FIG. 4

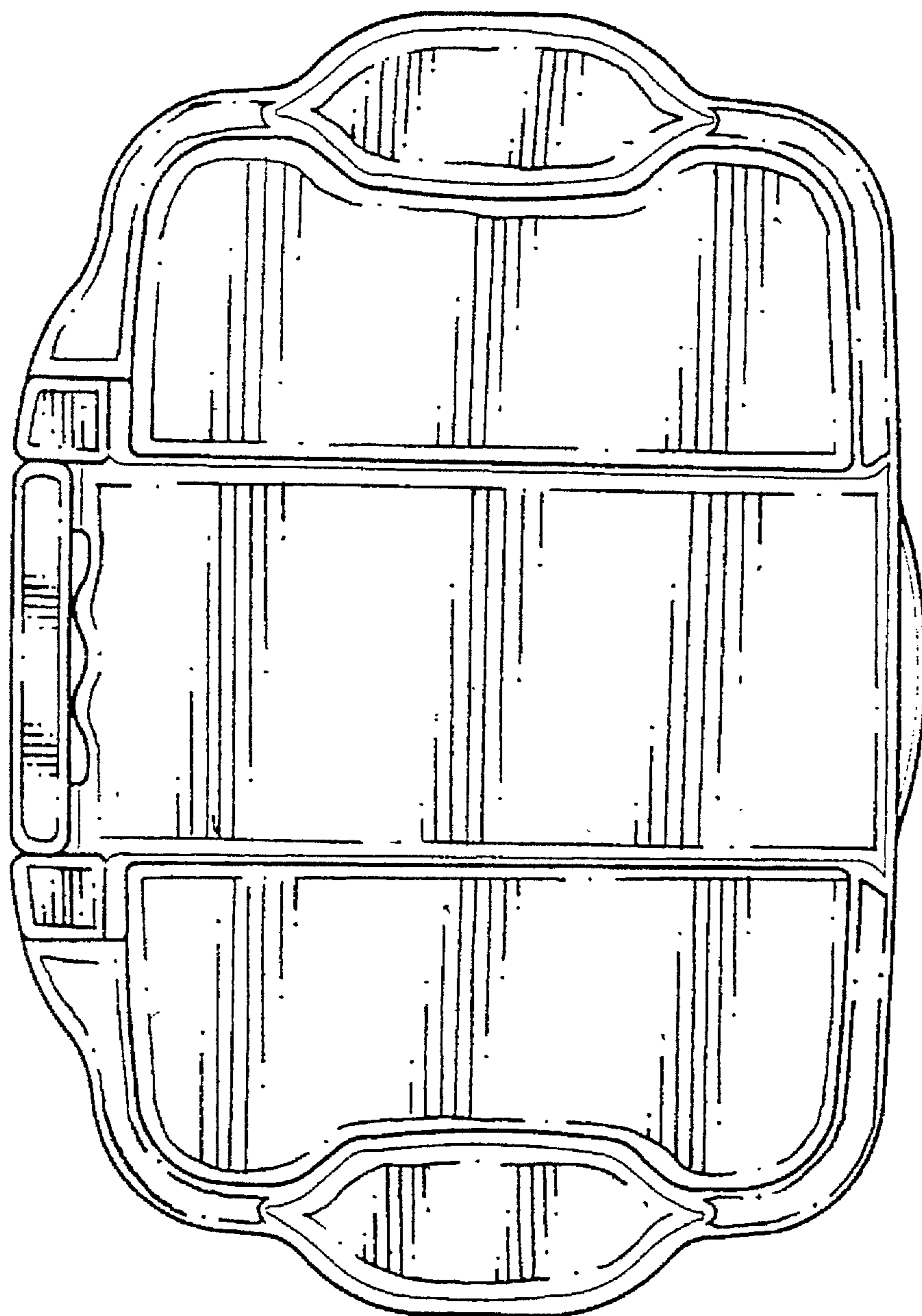


FIG. 5

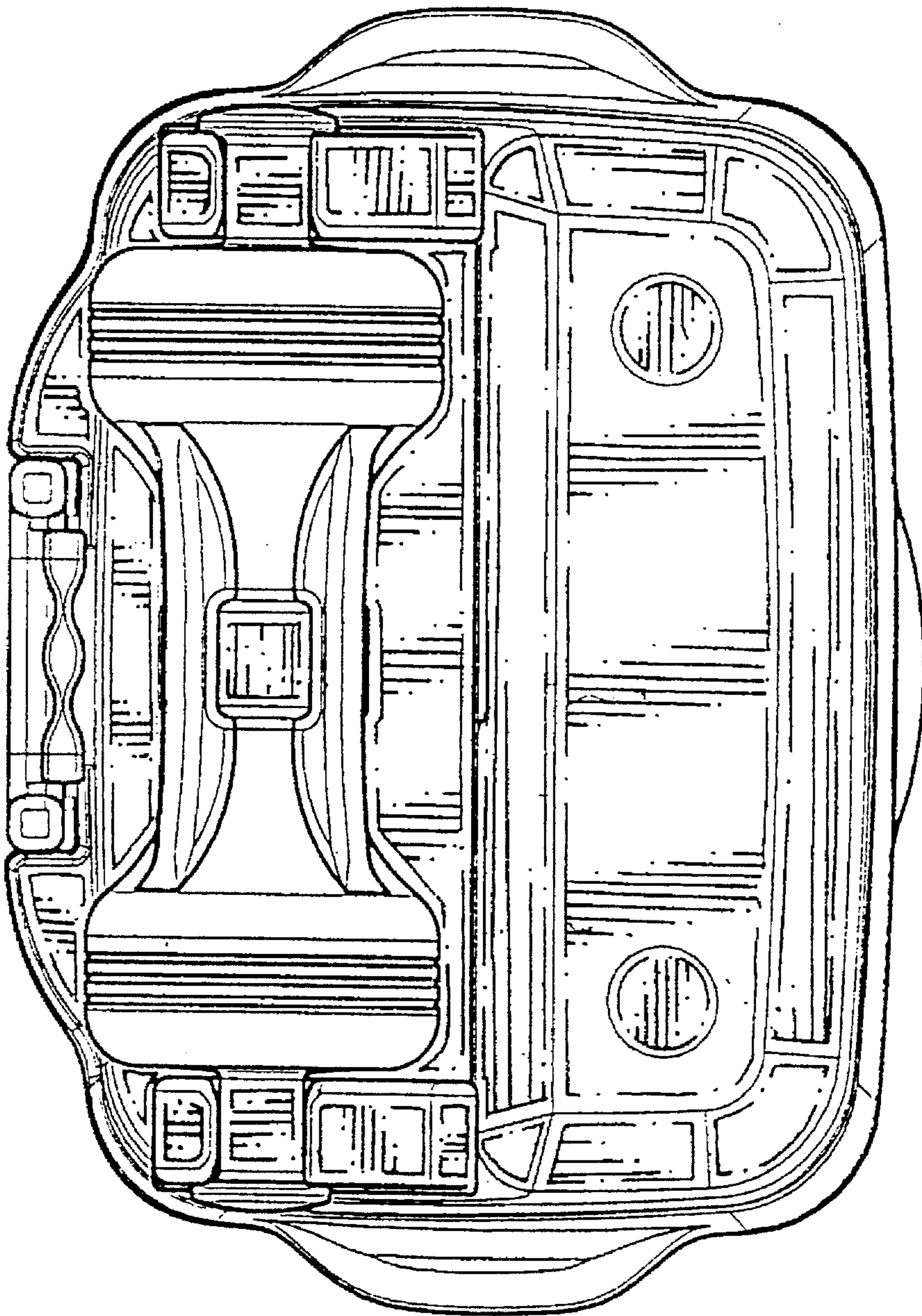


FIG. 6