



US00D370153S

United States Patent [19]
Chaney et al.

[11] **Patent Number: Des. 370,153**
[45] **Date of Patent: **May 28, 1996**

[54] **BEVERAGE CONTAINER**

[75] Inventors: **David Chaney**, Powell; **Timm Fenton**,
Wooster; **Sean D. Montag**, Westerville,
all of Ohio
[73] Assignee: **Rubbermaid Specialty Products Inc.**,
Wooster, Ohio
[**] Term: **14 Years**

[21] Appl. No.: **23,308**
[22] Filed: **May 23, 1994**
[52] **U.S. Cl.** **D7/511**; D7/608; D7/503
[58] **Field of Search** D7/387, 302, 300,
D7/321, 396.1, 605, 320, 608, 511, 312,
534, 510; D9/502, 532, 446, 522, 503,
513, 526, 527; 220/288

[56] **References Cited**

U.S. PATENT DOCUMENTS

D. 207,466	4/1967	Philips	D7/608
D. 248,373	7/1978	Allen	D9/503
D. 262,856	2/1982	MacTavish et al.	D7/320
D. 276,139	10/1984	Rayner	D9/503
D. 277,363	1/1985	Drummond, Jr. et al.	D9/522
D. 283,677	5/1986	Fortuna et al.	D7/511 X
D. 286,367	10/1986	Murphy	D7/321
D. 294,325	2/1988	Fiore, Jr.	D7/608 X
D. 321,624	11/1991	Fiore et al.	D7/321
D. 325,687	4/1992	Embree	D7/510
D. 325,848	5/1992	Embree	D7/510
D. 326,586	6/1992	Embree	D7/510
D. 330,487	10/1992	Hoelterscheidt	D7/608 X
D. 332,373	1/1993	Kahl	D7/510
D. 334,341	3/1993	Brown et al.	D7/605 X
D. 338,130	8/1993	Costello	D7/320
D. 351,761	10/1994	Feer	D7/510
D. 363,642	10/1995	Goto et al.	D7/511
2,315,425	3/1943	Hill et al.	62/1
3,313,438	4/1967	Piker	215/13
4,320,859	3/1982	Shy	222/401
4,399,926	8/1983	Eidels-DuBovoy	220/288
4,892,234	1/1990	Bennett	D7/320 X
4,932,225	6/1990	Bighouse	62/457
5,253,772	10/1993	Earnest	D9/503 X

OTHER PUBLICATIONS

P. 2 from price list, Jugs; Thermos Outdoor Living Products,
Rte. 75 East, Freeport, Illinois 61031. Publication date Aug.
1, 1988.
Catalog page, Jugs; Bee Plastics Corporation, 2660 N.
Clybourn Avenue, Chicago, Illinois 60614. Publication date
1975.
Catalog page, Jugs; Bee Plastics Corporation, 2660 North
Clybourn Avenue, Chicago, Illinois 60614. Publication date
1975.
Catalog page, Jugs; Bee Plastics Corporation, 2660 North
Clybourn Avenue, Chicago, Illinois 60614. Publication date
1975.
Catalog page, Jugs; Bee Plastics Corporation, 2660 North
Clybourn Avenue, Chicago, Illinois 60614. Publication date
1975.
P. 2, Jug; Igloo Corporation, 1001 West Belt Drive, P.O. Box
19322, Houston, Texas 77224-0932. Publication date 1984.
P. 8, Thermal Jug; Rubbermaid Incorporated, Specialty
Products Division, 1147 Akron Road, Wooster, Ohio 44691.
Publication date Dec. 1991.

Primary Examiner—M. N. Pandozzi
Attorney, Agent, or Firm—Richard B. O'Planick; Lisa B.
Riedesel

[57] **CLAIM**

The ornamental design for a beverage container, as shown
and described.

DESCRIPTION

FIG. 1 is a top right front perspective view of a beverage
container showing our new design;
FIG. 2 is a front elevational view thereof;
FIG. 3 is a right side elevational view thereof; the left side
elevational view being a mirror image;
FIG. 4 is a rear elevational view thereof;
FIG. 5 is a top plan view thereof;
FIG. 6 is a bottom plan view thereof;
FIG. 7 is a top right front perspective view of the subject
invention, shown with the environmental unclaimed features
removed;

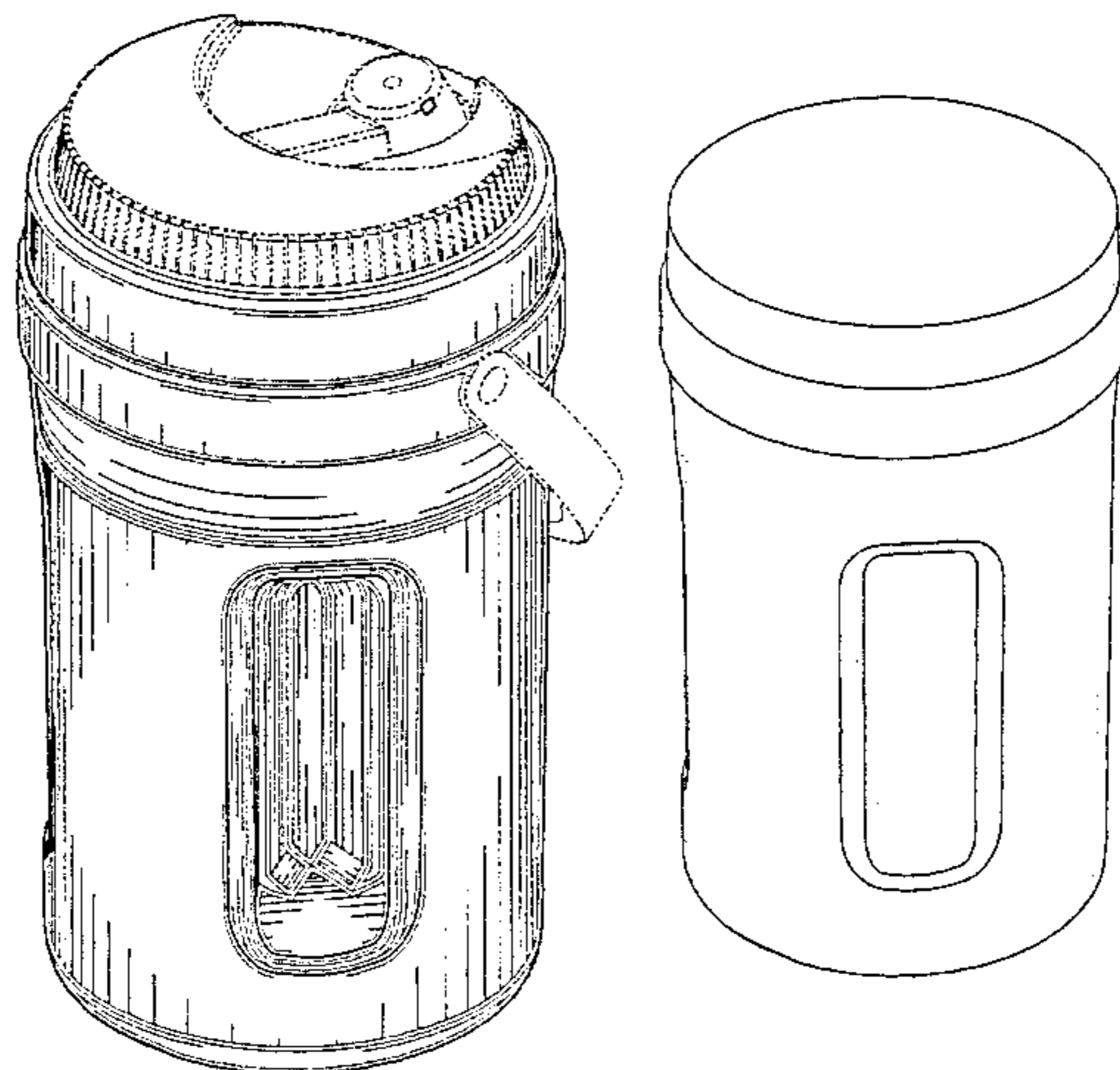


FIG. 8 is a front elevational view of the subject invention, shown with the environmental unclaimed features removed; FIG. 9 is a right side elevational view of the subject invention, shown with the environmental unclaimed features removed; the left side elevational view being a mirror image;

FIG. 10 is a rear elevational view of the subject invention, shown with the environmental unclaimed features removed;

FIG. 11 is a top plan view of the subject invention, shown with the environmental unclaimed features removed; and,

FIG. 12 is a bottom plan view of the subject invention, shown with the environmental unclaimed features removed.

The broken line showing of a lid and handle in FIGS. 1 through 6 is for illustrative purposes only and forms no part of the claimed design.

1 Claim, 10 Drawing Sheets

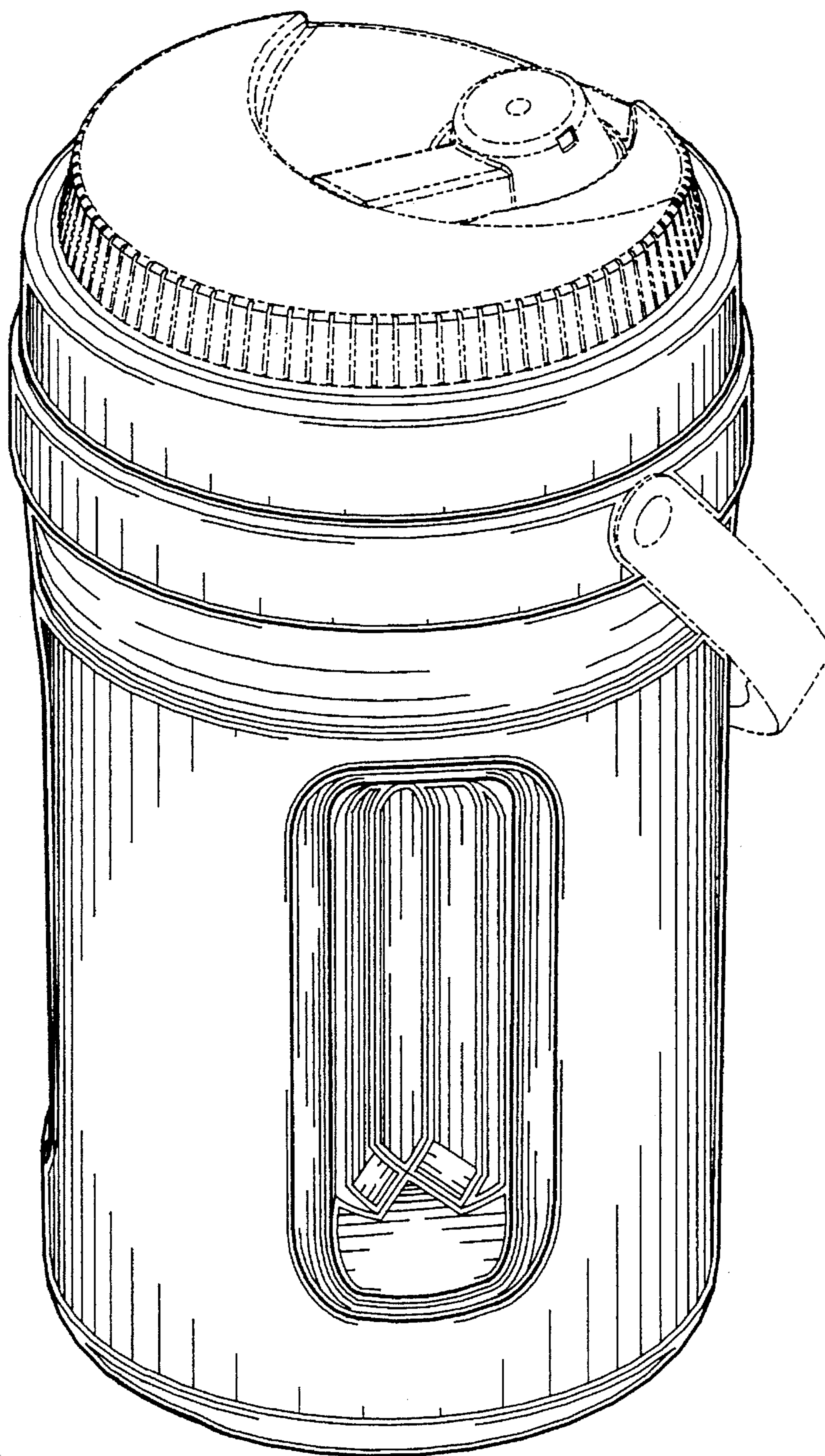


FIG. 1

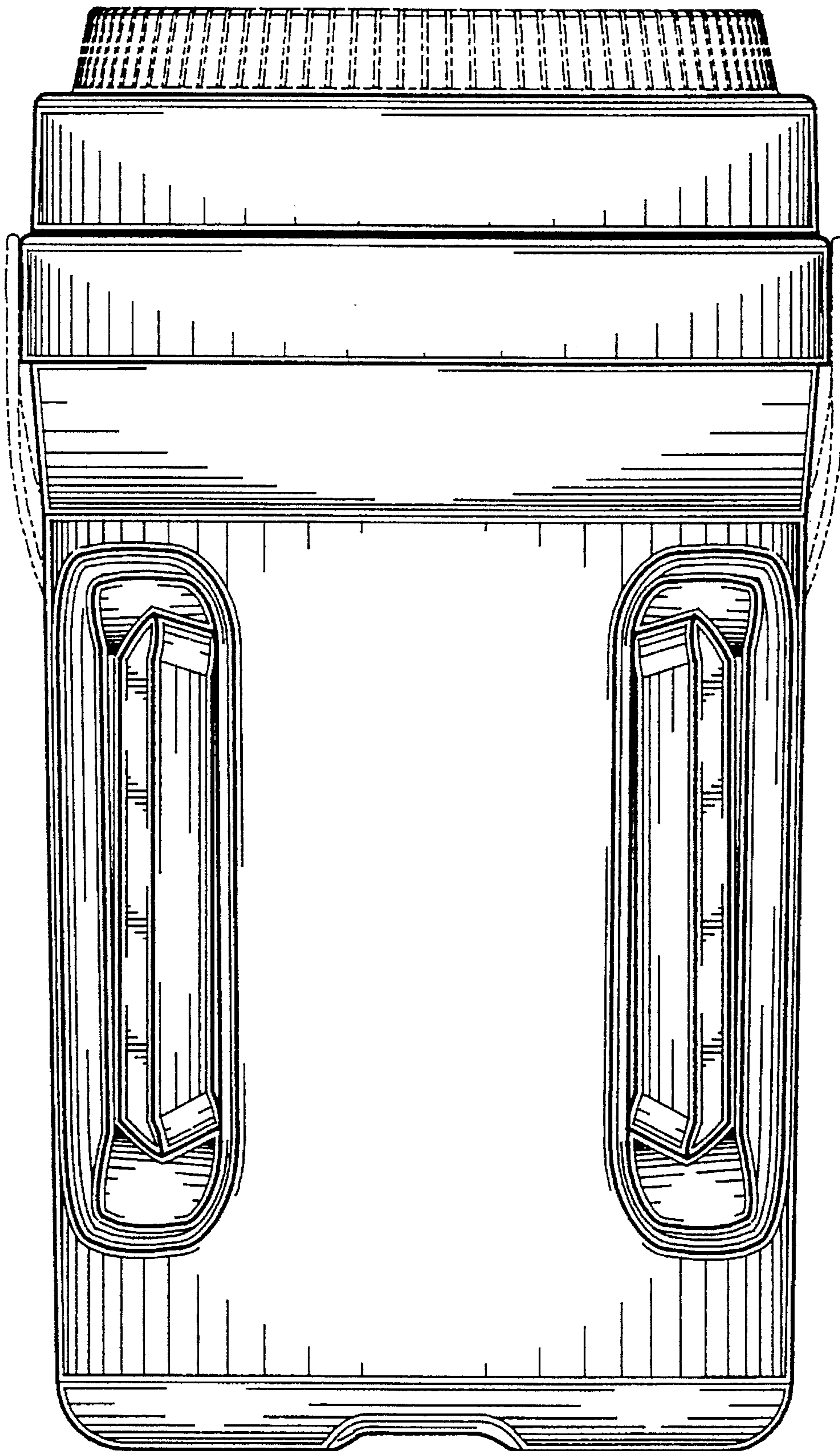


FIG. 2

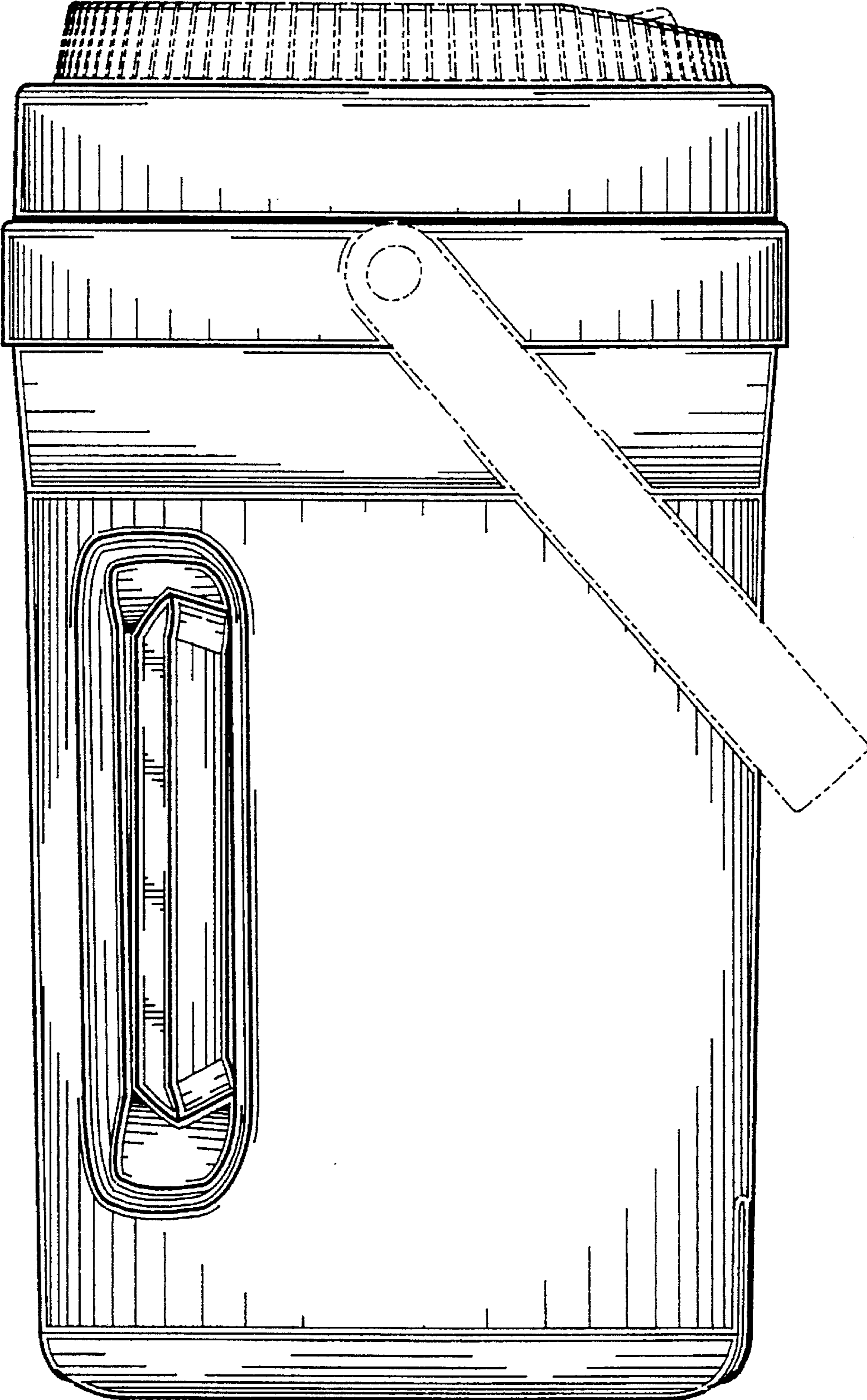


FIG. 3

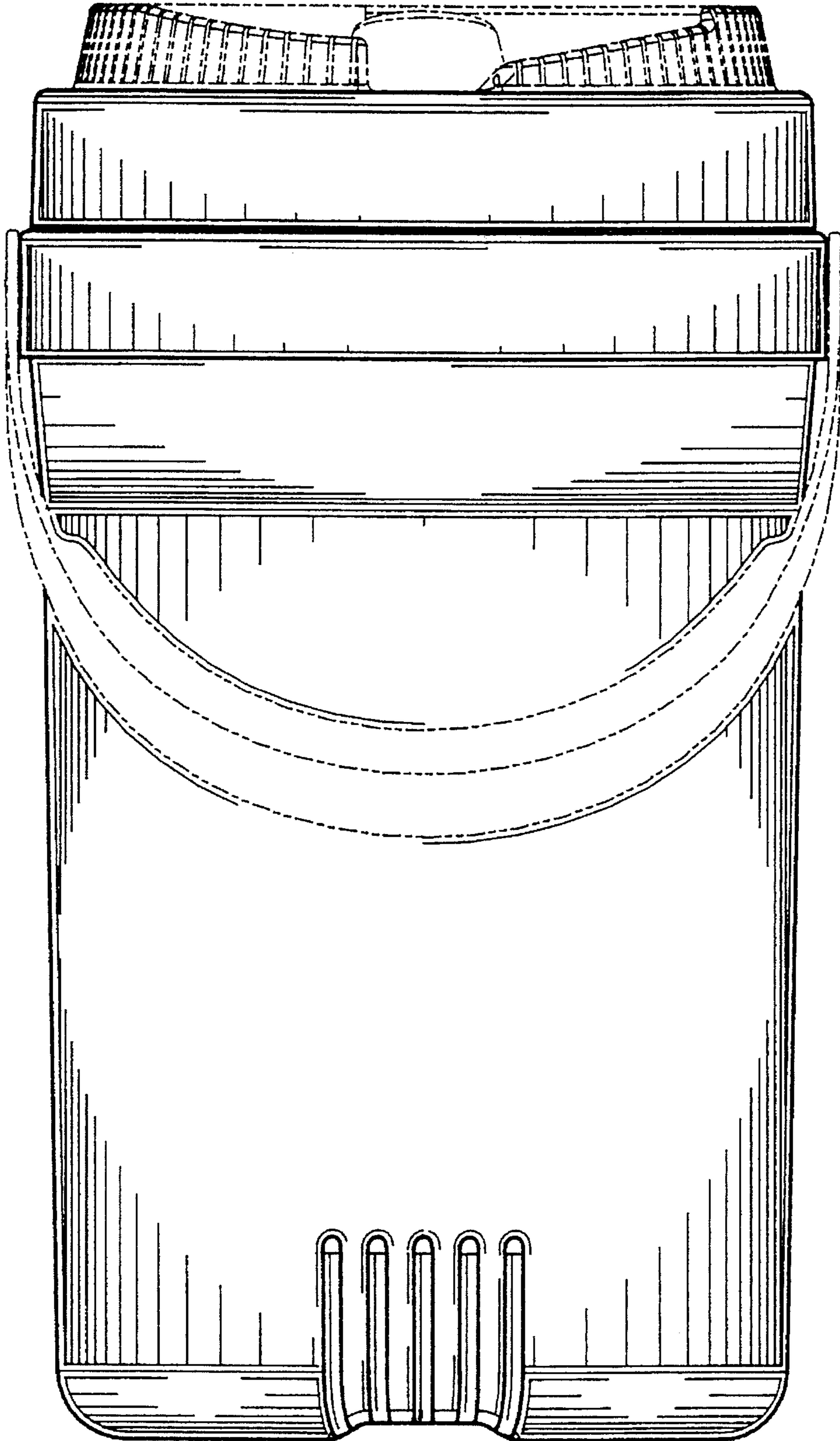


FIG. 4

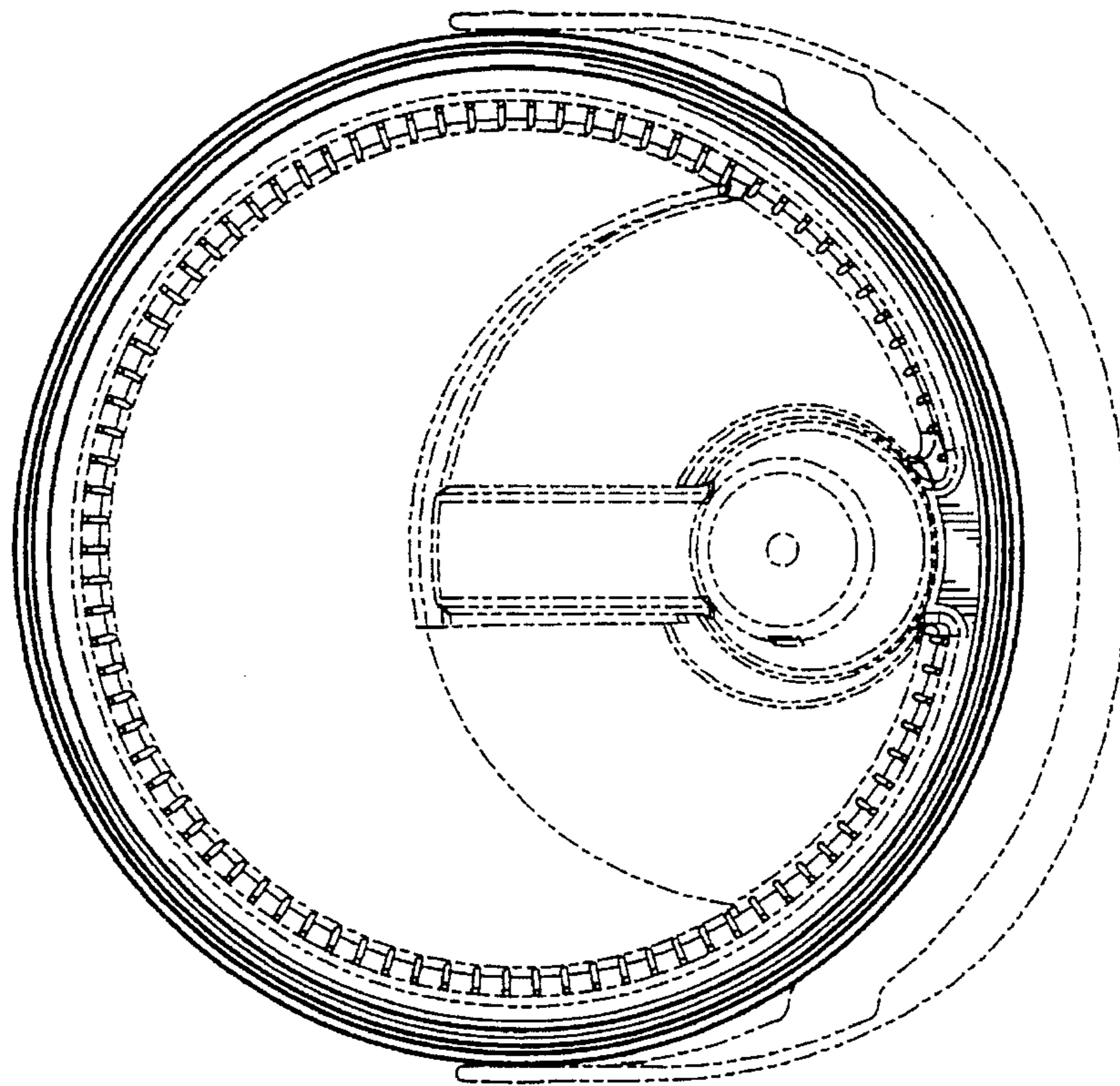


FIG. 5

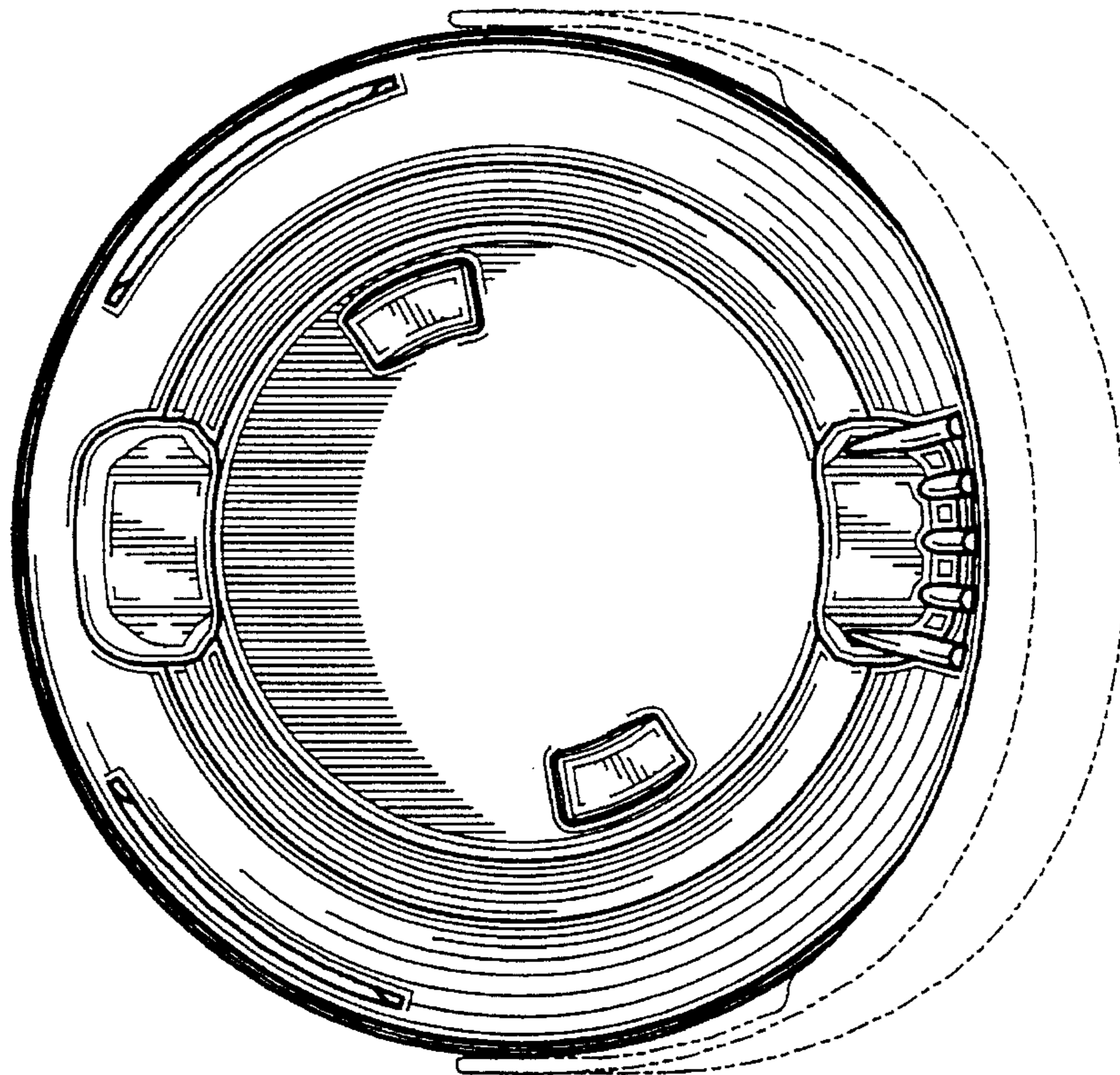


FIG. 6

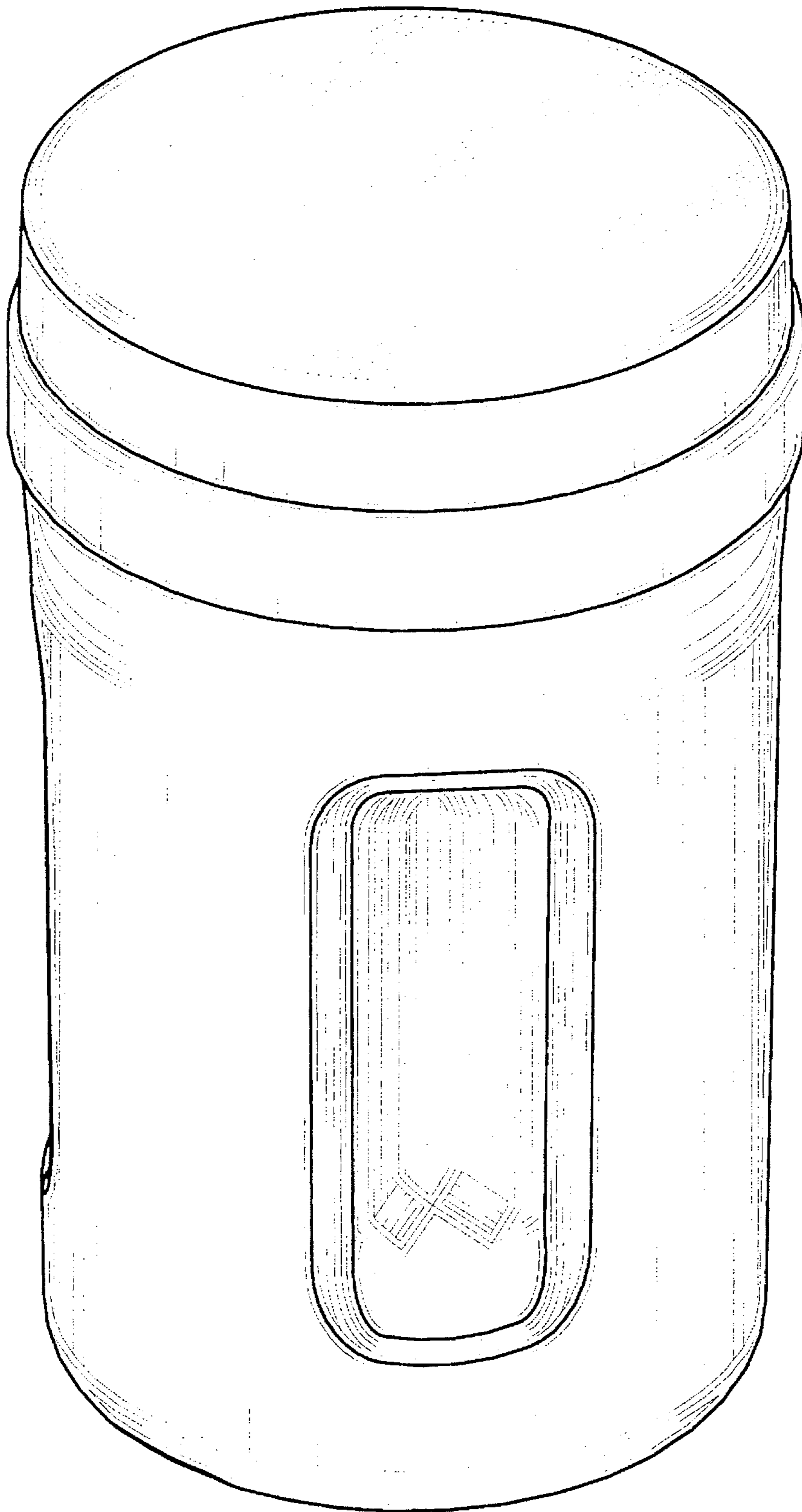


FIG. 7

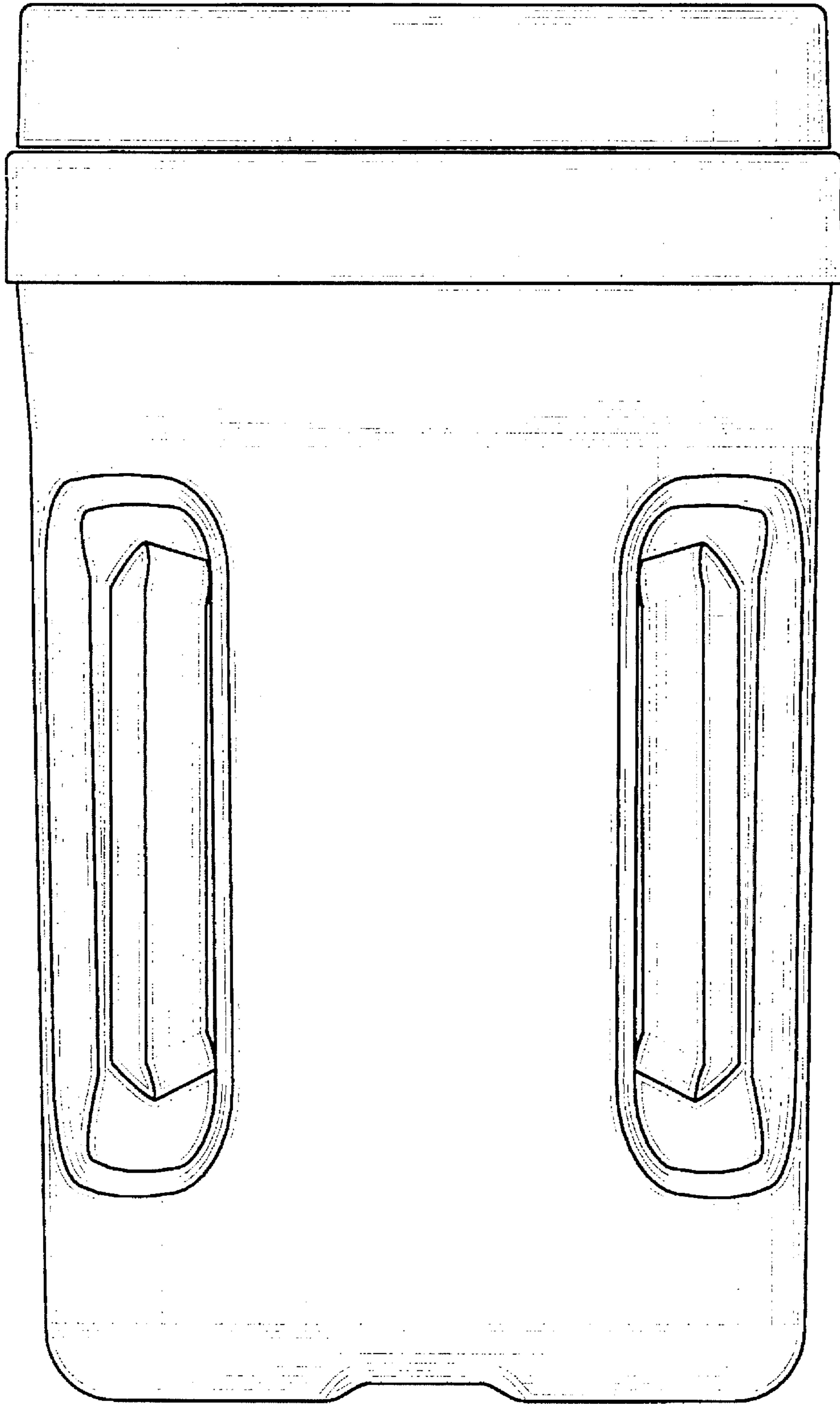


FIG. 8

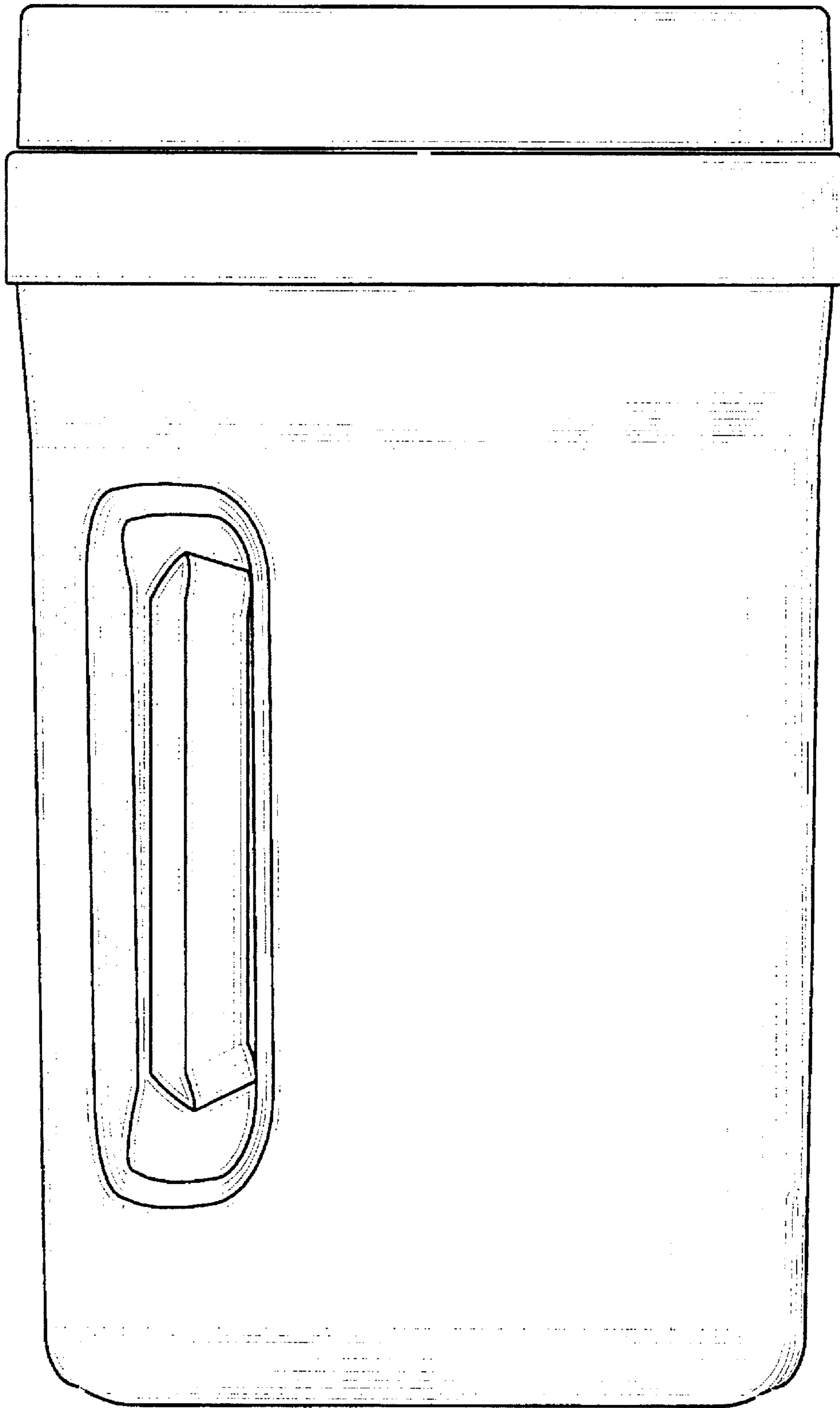


FIG. 9

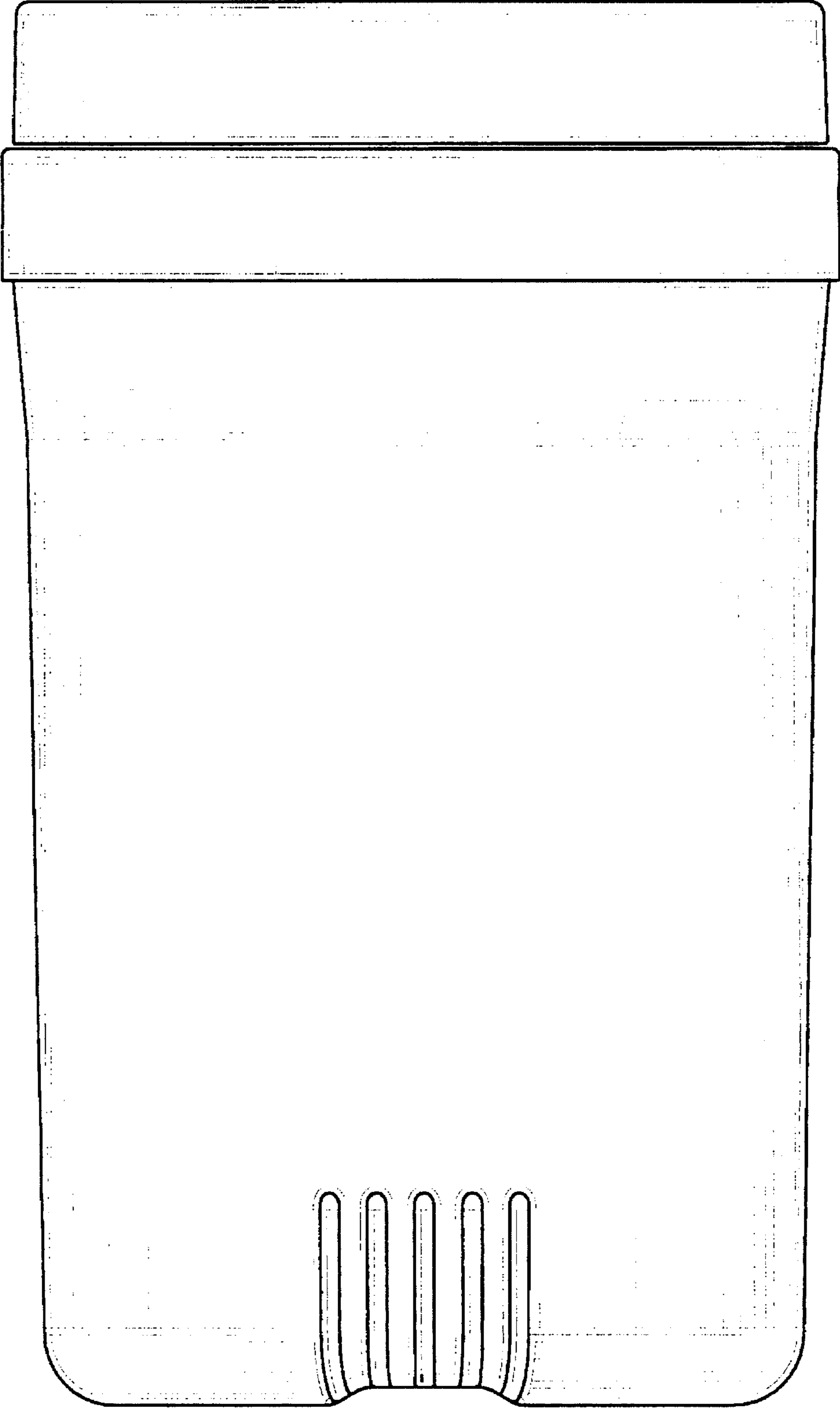


FIG. 10

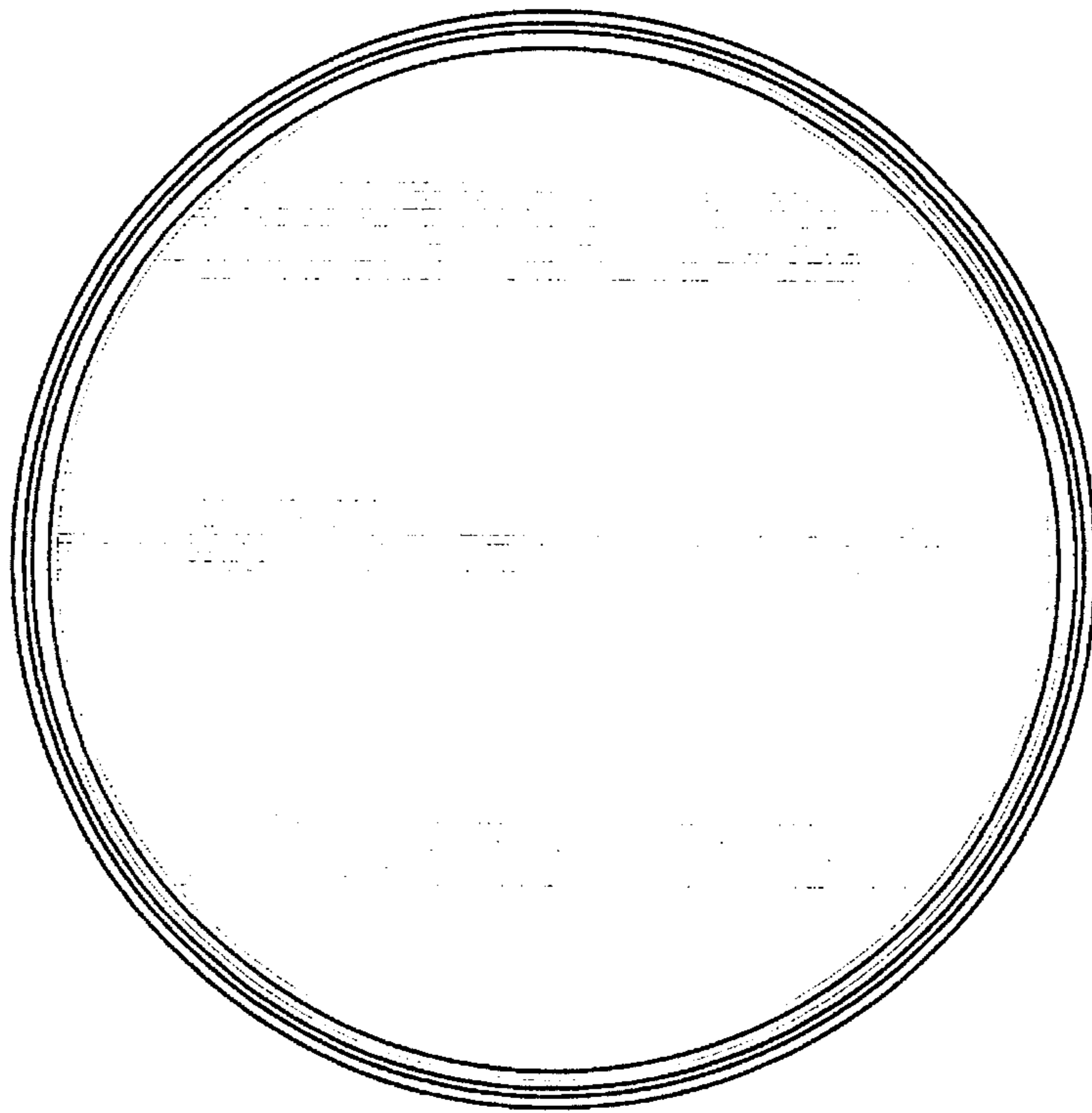


FIG. 11

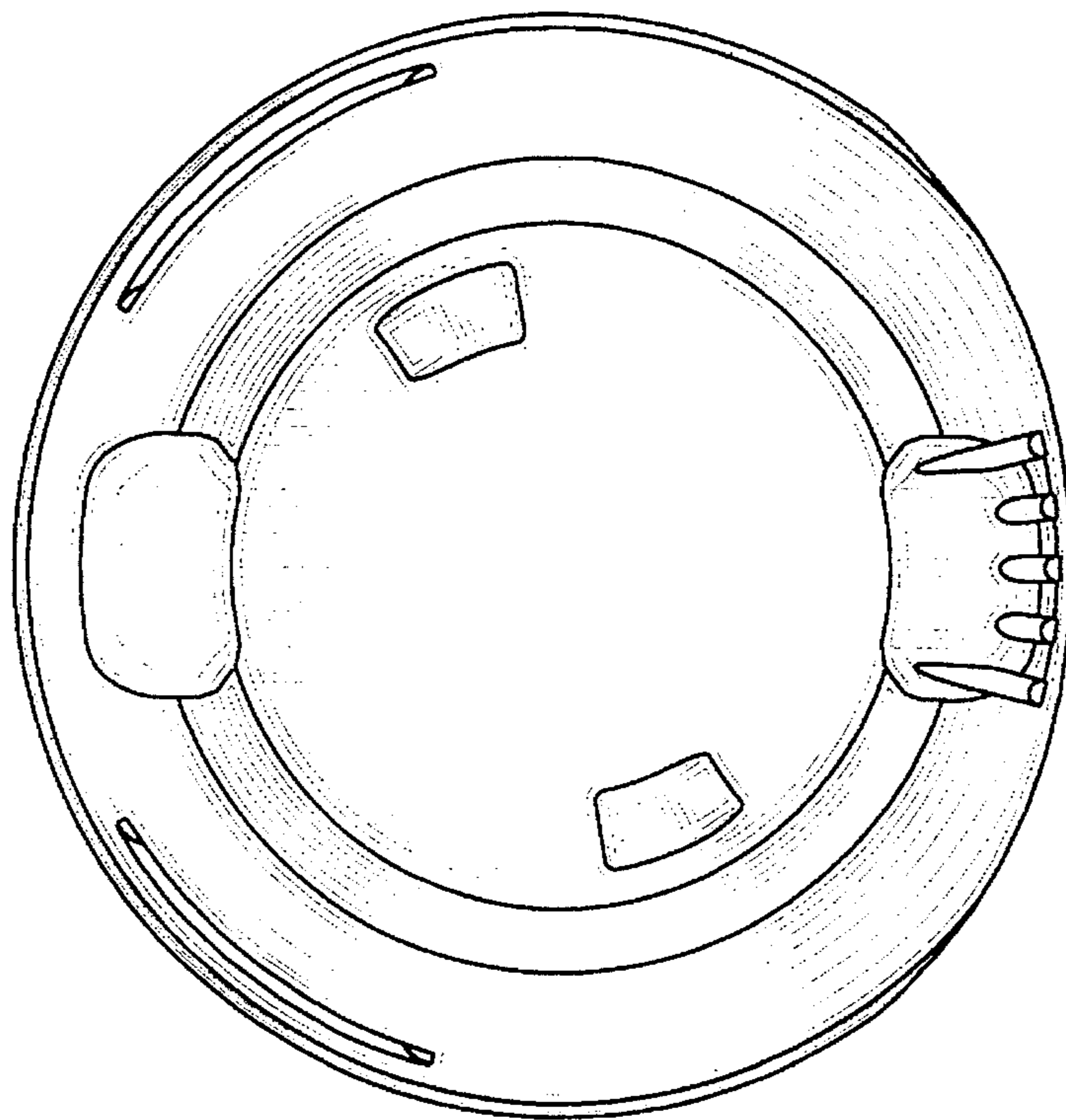


FIG. 12