



US00D370150S

United States Patent [19]

[11] Patent Number: **Des. 370,150**

Huang

[45] Date of Patent: ****May 28, 1996**

[54] **TEA MAKER**

[76] Inventor: **Frank T. Huang**, Suite 804, 8 Fl., No. 128, Sec. 3, Ming-Sheng E. Rd., Taipei, Taiwan

[**] Term: **14 Years**

[21] Appl. No.: **39,738**

[22] Filed: **Jun. 5, 1995**

[52] U.S. Cl. **D7/319; D7/318; D7/317**

[58] Field of Search D7/310, 598, 604, D7/606, 622, 300, 301, 302, 303, 312, 314, 316, 317, 318, 319, 320, 321, 322, 622; 222/465.1, 475.1

[56] **References Cited**

U.S. PATENT DOCUMENTS

D. 232,897	9/1979	Kemnitzer	D7/312
D. 284,927	8/1986	Zimmermann	D7/317
D. 295,820	5/1988	Minsky et al.	D7/317
D. 315,471	3/1991	Van Deursen	D7/317

D. 323,951	2/1992	Inoue	D7/317
D. 326,978	6/1992	Zimmermann	D7/317
D. 346,300	4/1994	Morgan	D7/317 X
3,396,876	8/1968	Workman et al.	D7/317 X

Primary Examiner—M. N. Pandozzi
Attorney, Agent, or Firm—Bacon & Thomas

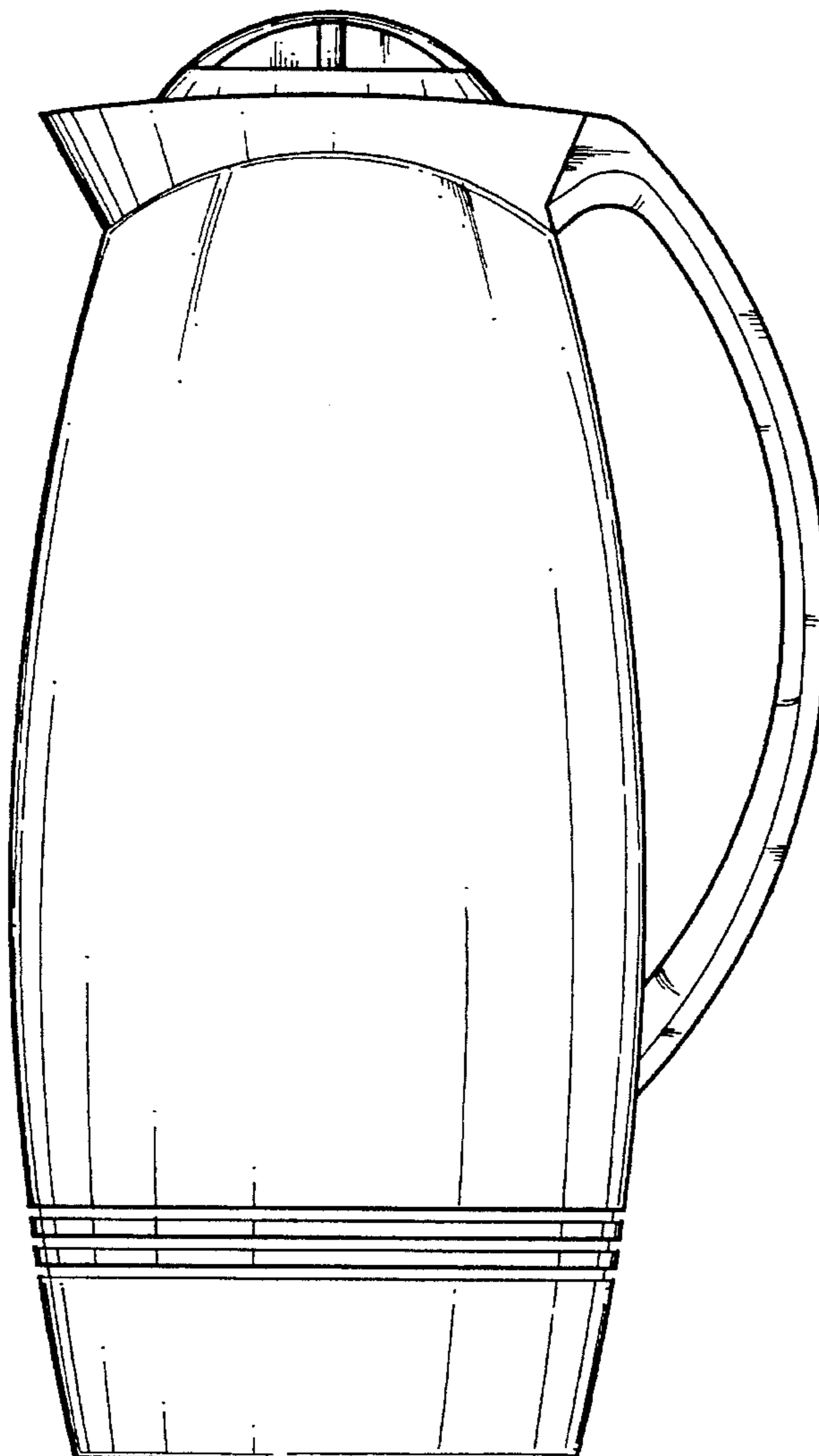
[57] **CLAIM**

The ornamental design for tea maker, as shown and described.

DESCRIPTION

FIG. 1 is a perspective view of tea maker showing my new design thereof;
FIG. 2 is a front elevational view and the rear elevational view being a mirror image thereof;
FIG. 3 is a left side elevational view thereof;
FIG. 4 is a right side elevational view thereof;
FIG. 5 is a top plan view thereof; and,
FIG. 6 is a bottom plan view thereof.

1 Claim, 5 Drawing Sheets



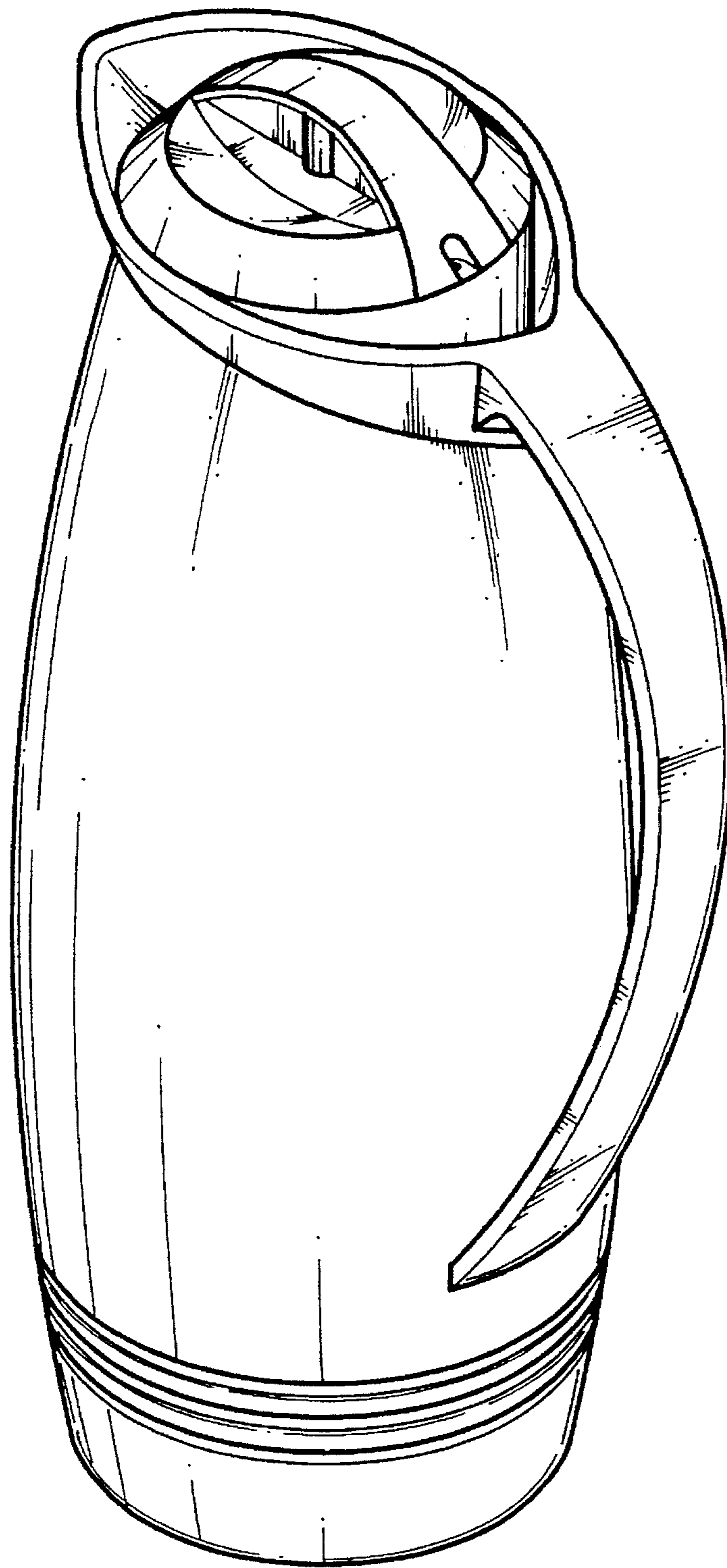


Fig. 1

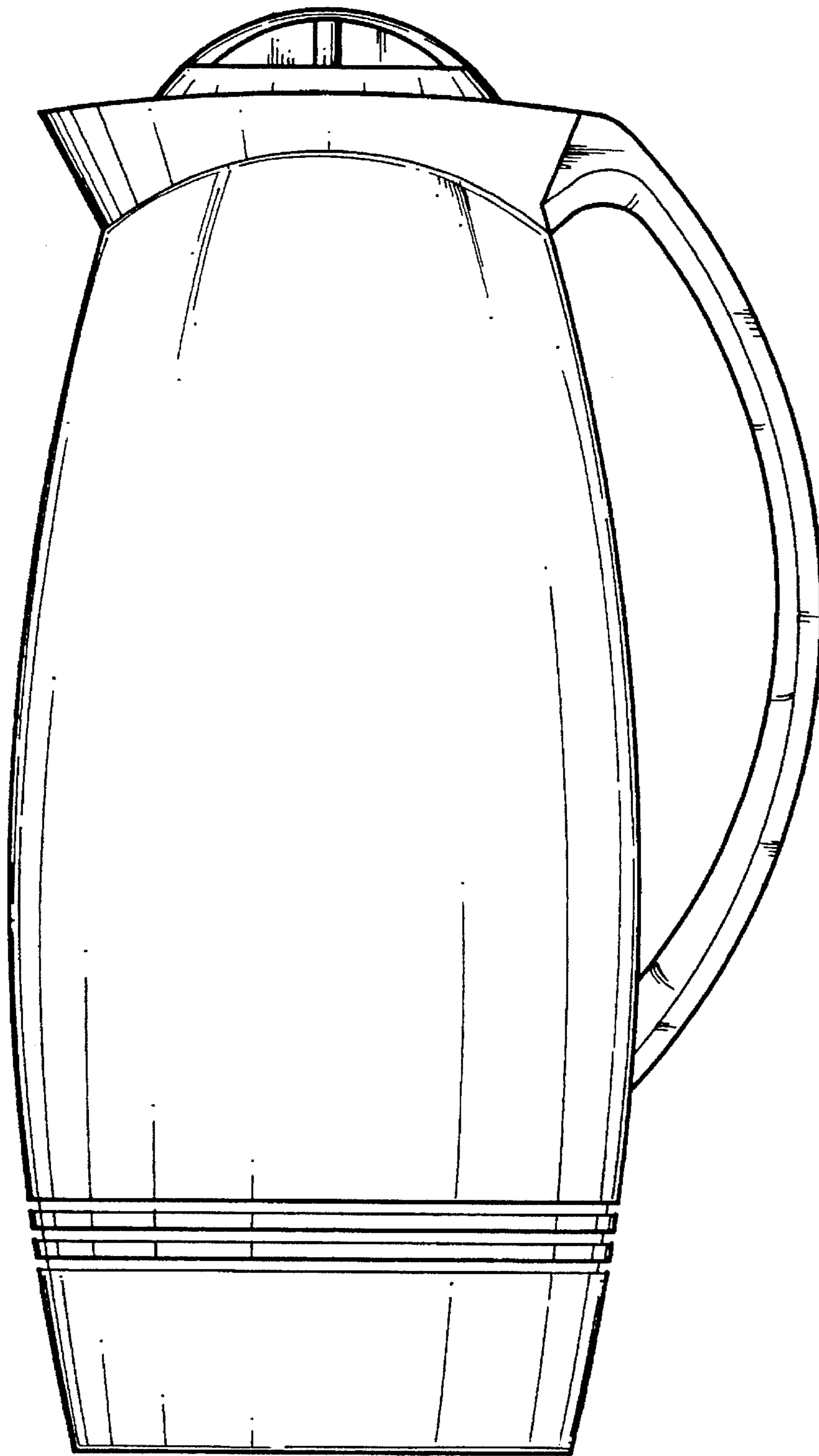


Fig. 2

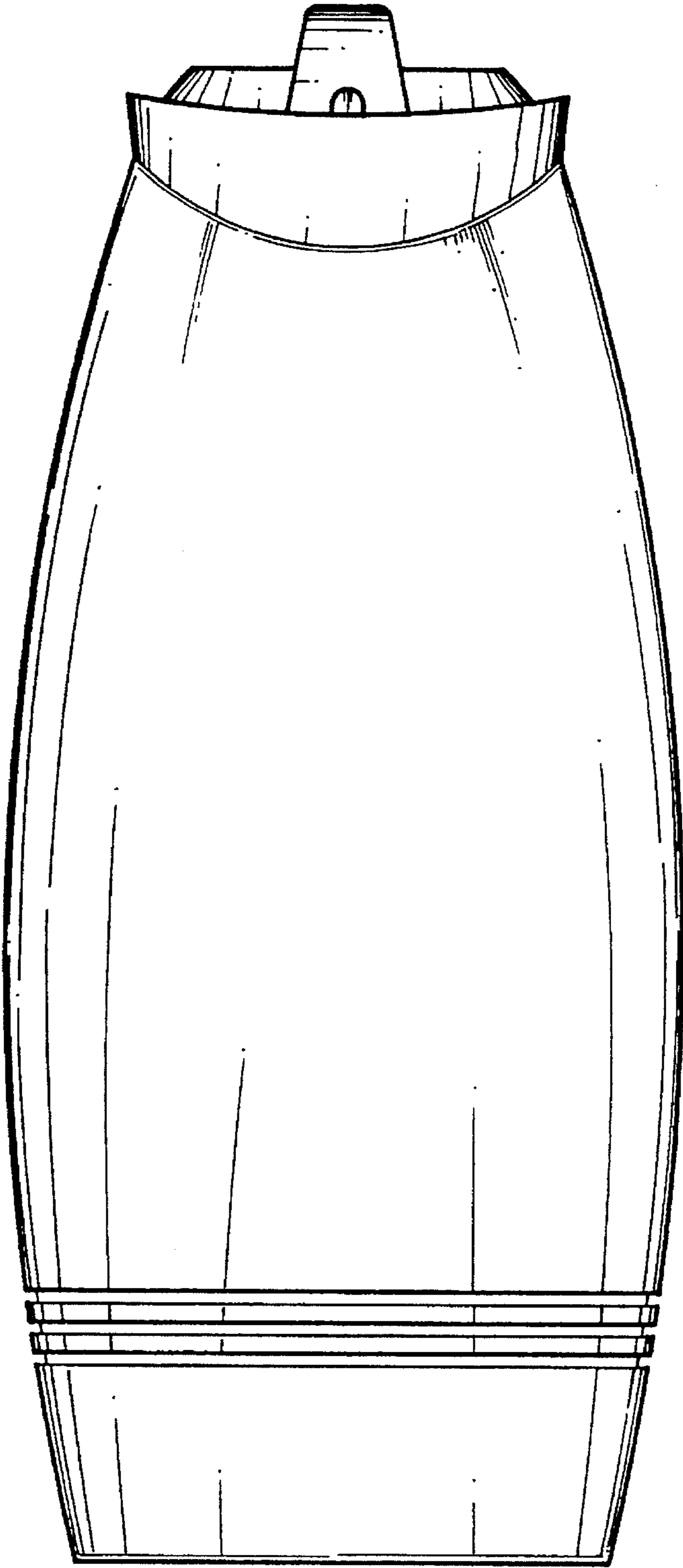


Fig. 3



Fig. 4

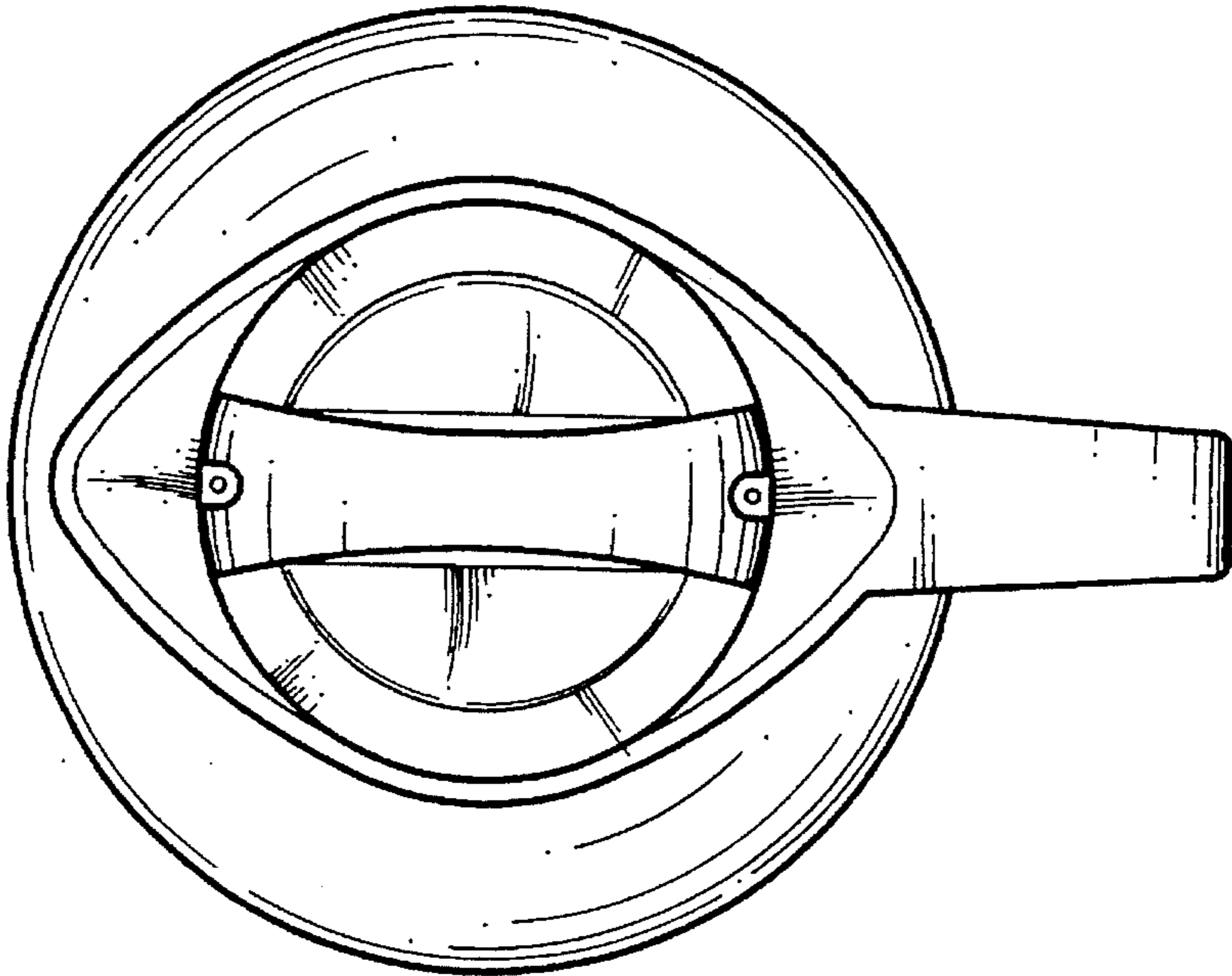


Fig. 5

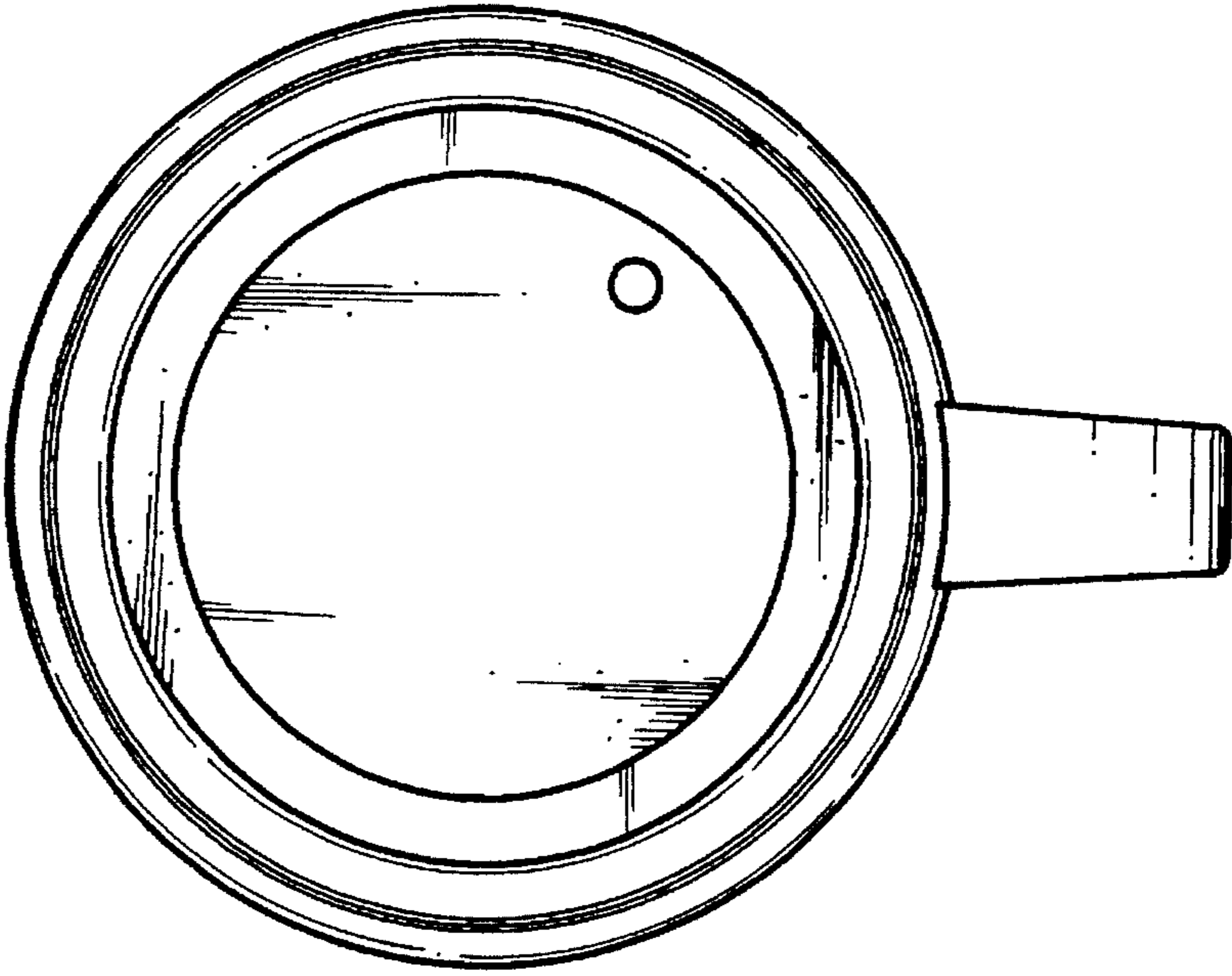


Fig. 6