



US00D370136S

# United States Patent [19]

[11] Patent Number: **Des. 370,136**

**Loucks**

[45] Date of Patent: **\*\*May 28, 1996**

[54] **COMBINED MAGNETIC MOVERS AND TABLE**

D. 293,051 12/1987 Table ..... D6/484  
2,673,404 3/1954 Abrahamson ..... 273/239 X  
3,091,459 5/1963 Lindman ..... 273/239 X

[75] Inventor: **Harry Loucks**, Little Rock, Ak.

### FOREIGN PATENT DOCUMENTS

[73] Assignee: **The Children's Furniture Company**, Baltimore, Md.

946566 7/1982 U.S.S.R. .... 273/236

[\*\*] Term: **14 Years**

### OTHER PUBLICATIONS

[21] Appl. No.: **13,980**

Advertisement for ACH Companies "Magnetic Sand Table", date prior to Oct. 11, 1993.

[22] Filed: **Oct. 12, 1993**

*Primary Examiner*—Carmen H. Valesjado  
*Attorney, Agent, or Firm*—Kilpatrick & Cody

[52] U.S. Cl. .... **D6/397**

[58] Field of Search ..... D6/396, 397, 432-448;  
D21/1, 7, 14; 273/236, 239, DIG. 14, 456;  
434/330

### [57] CLAIM

The ornamental design for a combined magnetic movers and table, as shown and described.

### [56] References Cited

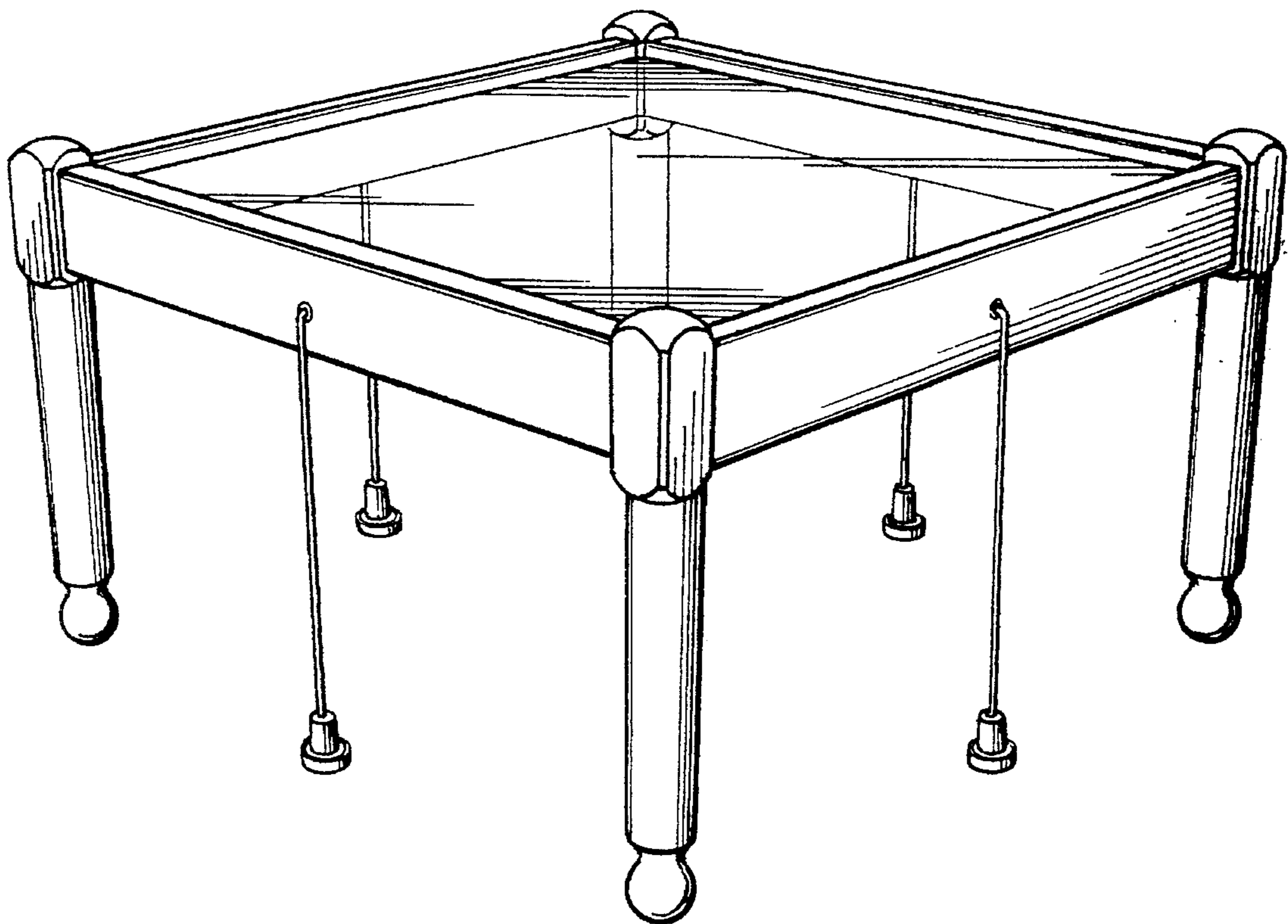
### DESCRIPTION

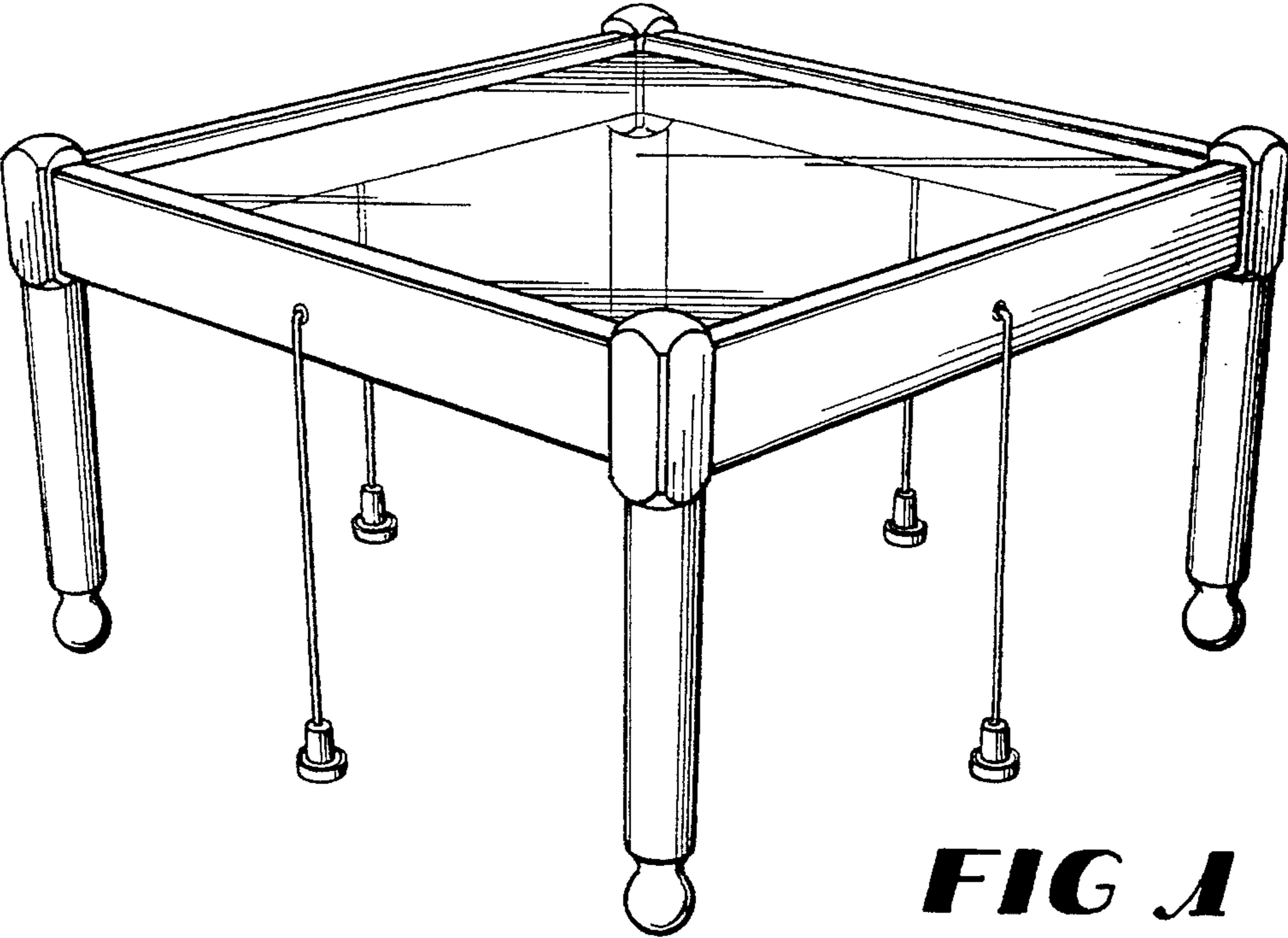
#### U.S. PATENT DOCUMENTS

D. 137,954 5/1944 Puls et al. .... D6/480  
D. 196,440 10/1963 Turner ..... D6/480 X  
D. 223,380 4/1972 Kim ..... D21/7 X  
D. 242,478 11/1976 Howell ..... D21/7  
D. 265,660 8/1982 Jackson ..... D21/14  
D. 279,632 7/1985 Marks ..... D6/484 X

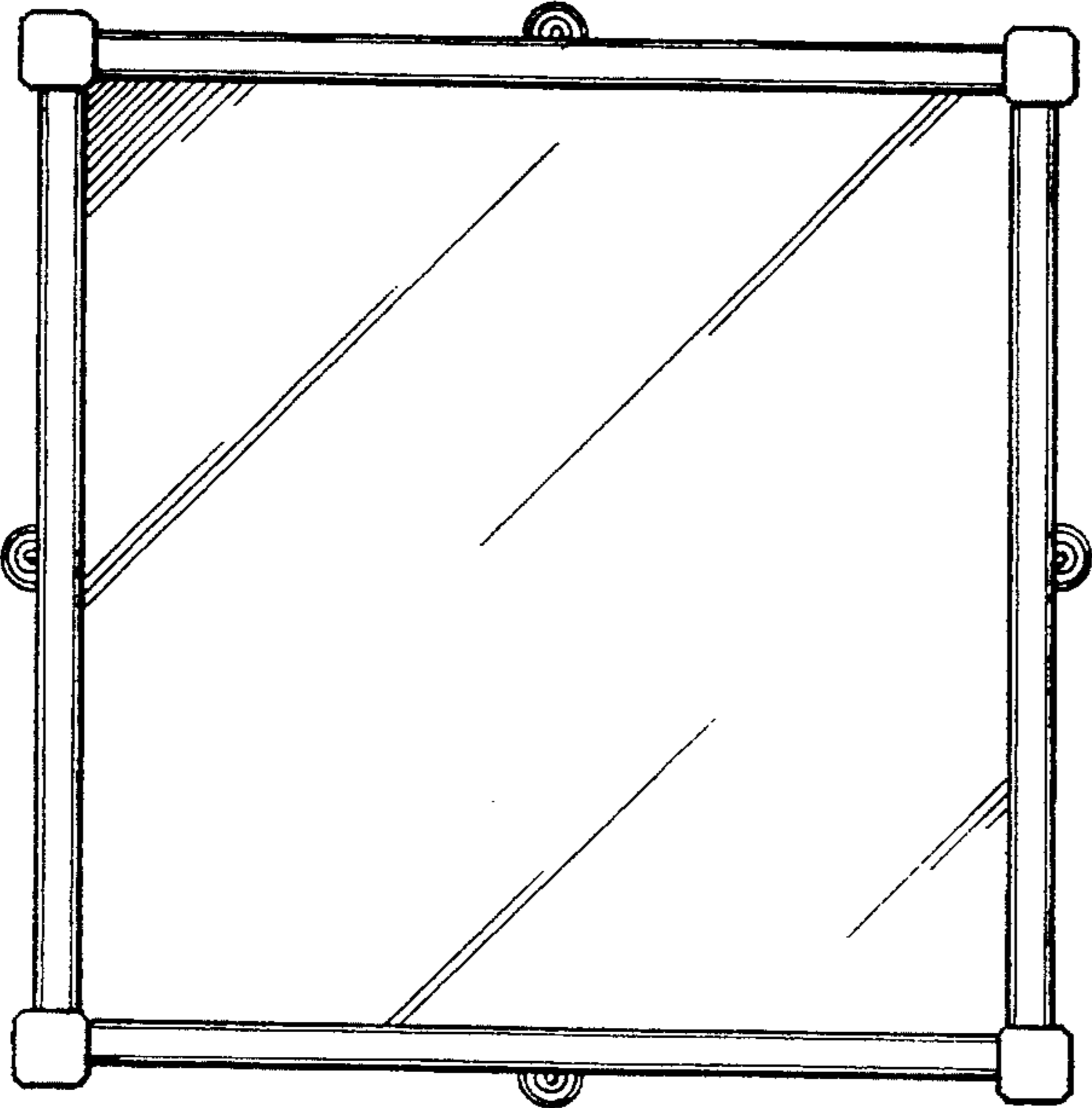
FIG. 1 is a perspective view of a combined magnetic movers and table showing my new design;  
FIG. 2 is a top plan view thereof; and,  
FIG. 3 is a side elevational view, the other sides being identical thereto.

**1 Claim, 1 Drawing Sheet**

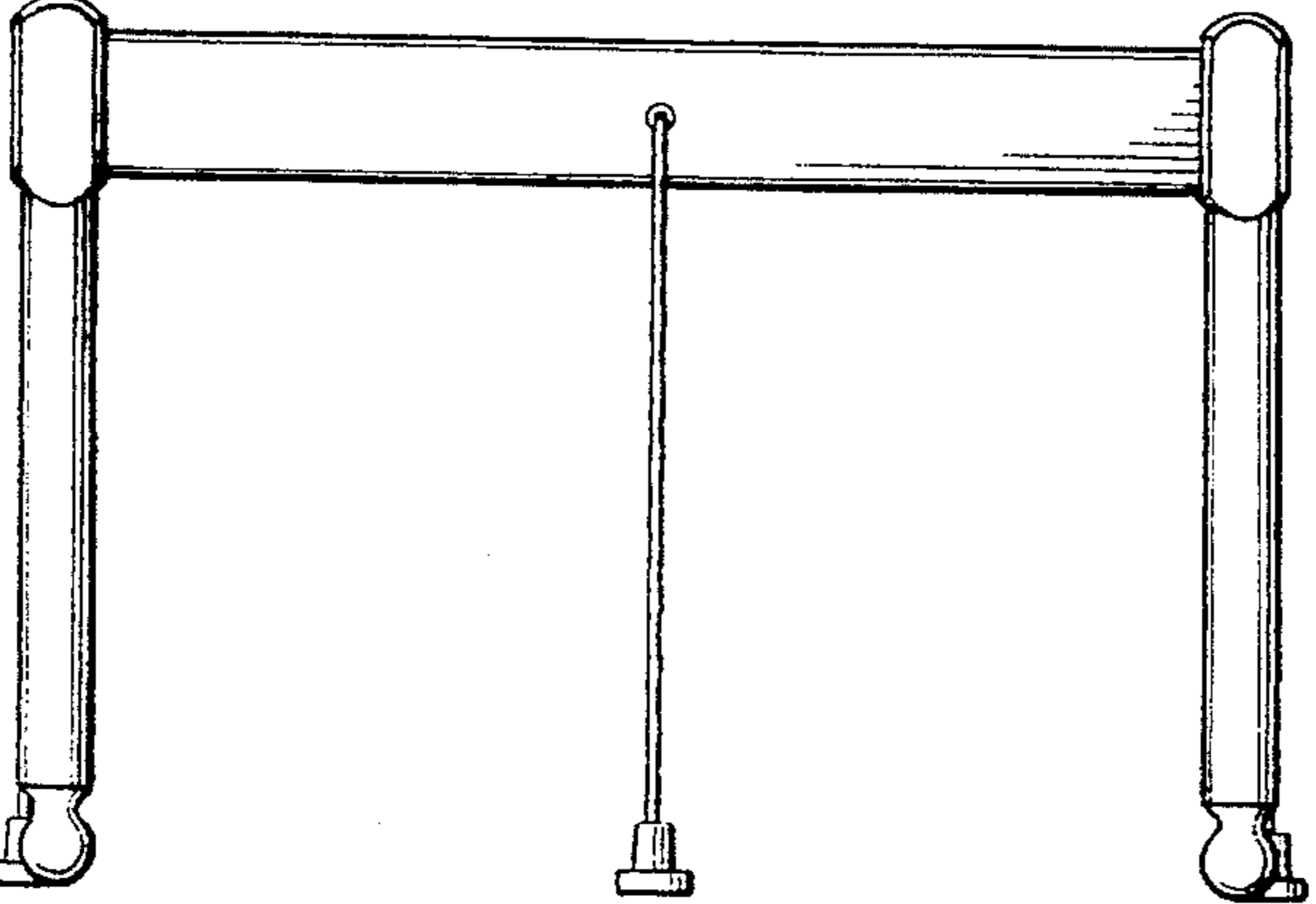




**FIG 1**



**FIG 2**



**FIG 3**