



US00D370135S

United States Patent [19]

Meiners

[11] Patent Number: **Des. 370,135**

[45] Date of Patent: ****May 28, 1996**

[54] **BED FRAME**

4,545,084 10/1985 Peterson 5/618

[75] Inventor: **Eileen Meiners**, St. Louis, Mo.

Primary Examiner—Janice E. Seeger
Attorney, Agent, or Firm—Senniger, Powers, Leavitt & Roedel

[73] Assignee: **NOA Medical Industries, Inc.**,
Marthasville, Mo.

[**] Term: **14 Years**

[57] **CLAIM**

The ornamental design for a bed frame, as shown and described.

[21] Appl. No.: **28,420**

[22] Filed: **Sep. 14, 1994**

[52] U.S. Cl. **D6/382; D6/392**

[58] Field of Search D6/382, 383, 389-395,
D6/505-508; 5/239, 240, 236.1, 112, 191,
613, 618; D24/183

DESCRIPTION

FIG. 1 is a front elevation of a bed frame showing my new design, the rear elevational view being identical thereto; FIG. 2 is a top plan view thereof; FIG. 3 is a left side elevational view thereof; FIG. 4 is a right side elevational view thereof; FIG. 5 is a bottom plan view thereof; and FIG. 6 is a front elevation of the bed frame with a head section of the bed frame in an upright position; FIG. 7 is a perspective view of a bed frame with a head section of the bed frame in an upright position; and, FIG. 8 is a view of the inside of the footboard taken from the center of the bed frame.

[56] **References Cited**

U.S. PATENT DOCUMENTS

D. 265,357	7/1982	Bergenwall	D6/392
D. 292,759	11/1987	Pell	D6/392
D. 339,248	9/1993	Johnson	D6/393
2,203,045	6/1940	Buntin	5/618 X
2,790,440	4/1957	Adair, Jr.	5/618 X
2,807,808	10/1957	Wetzler	5/618

1 Claim, 5 Drawing Sheets

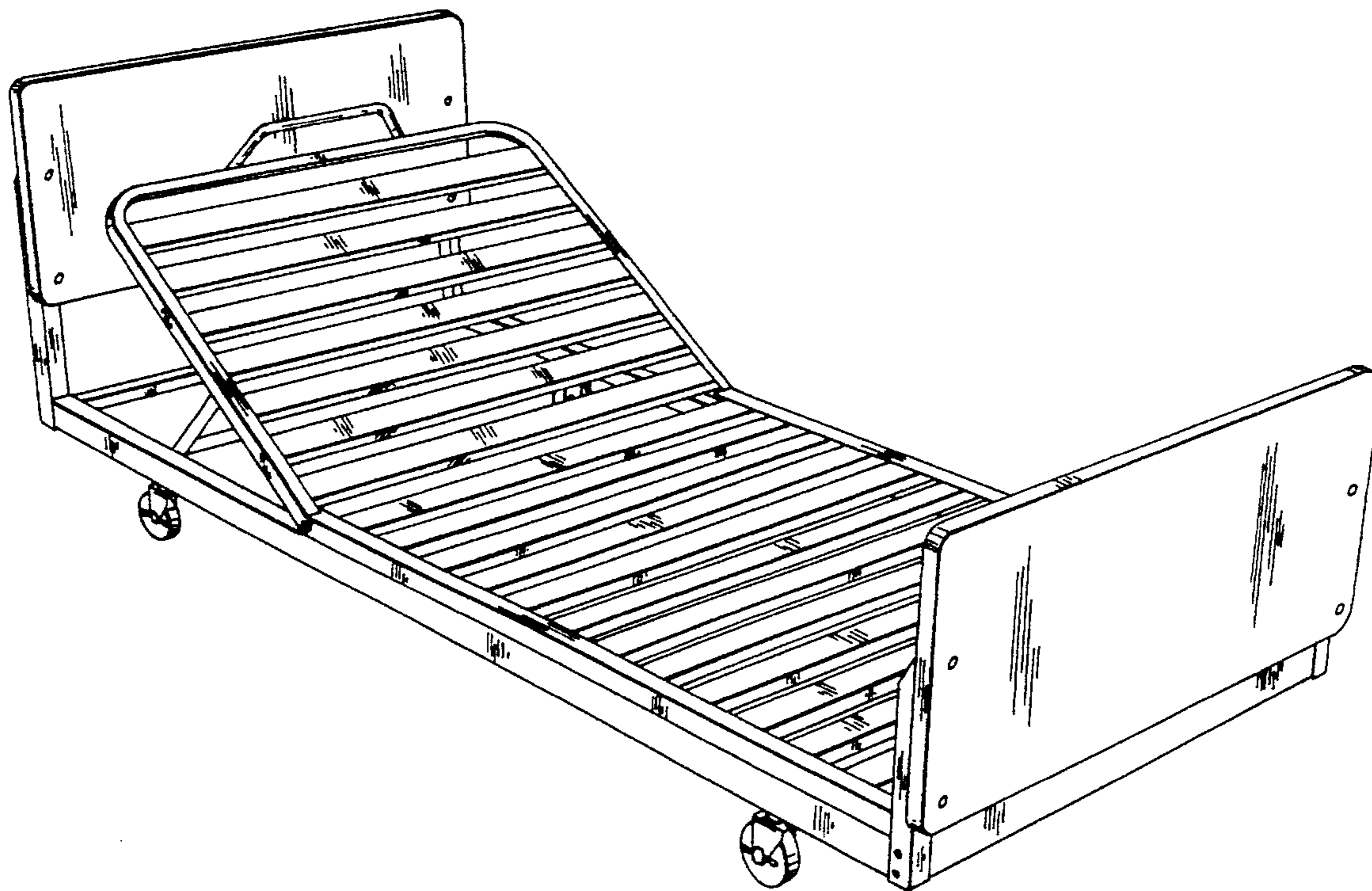


FIG. 1

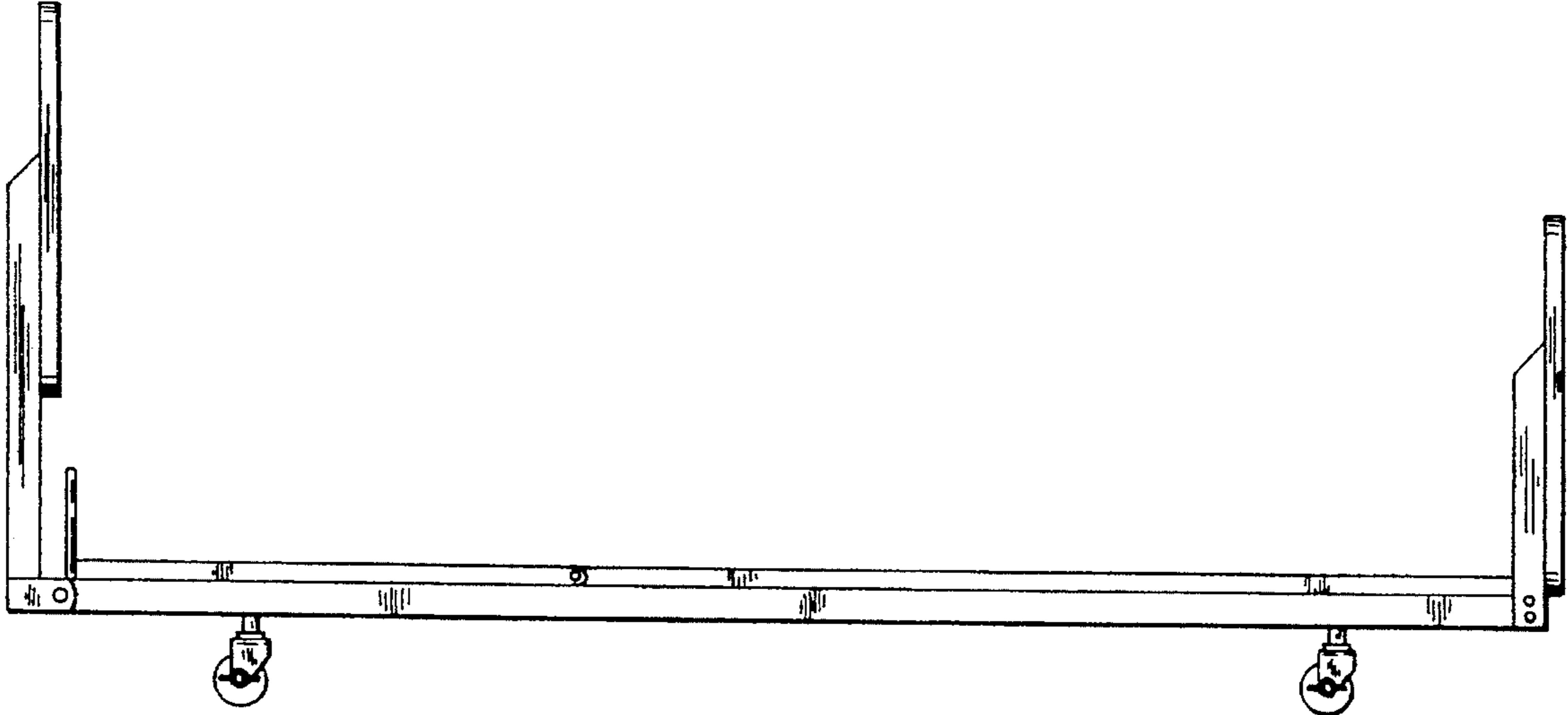


FIG. 2

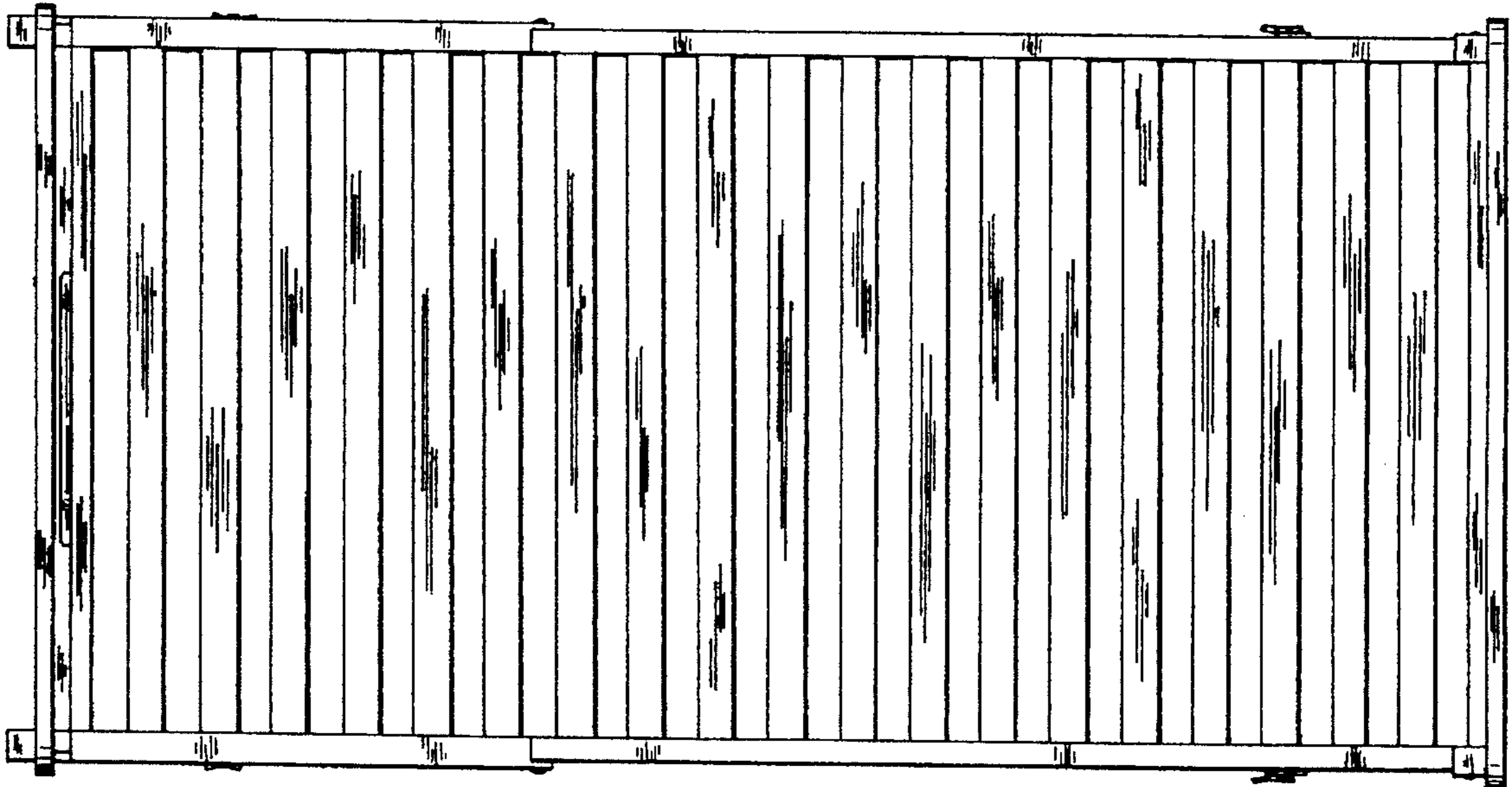


FIG. 3

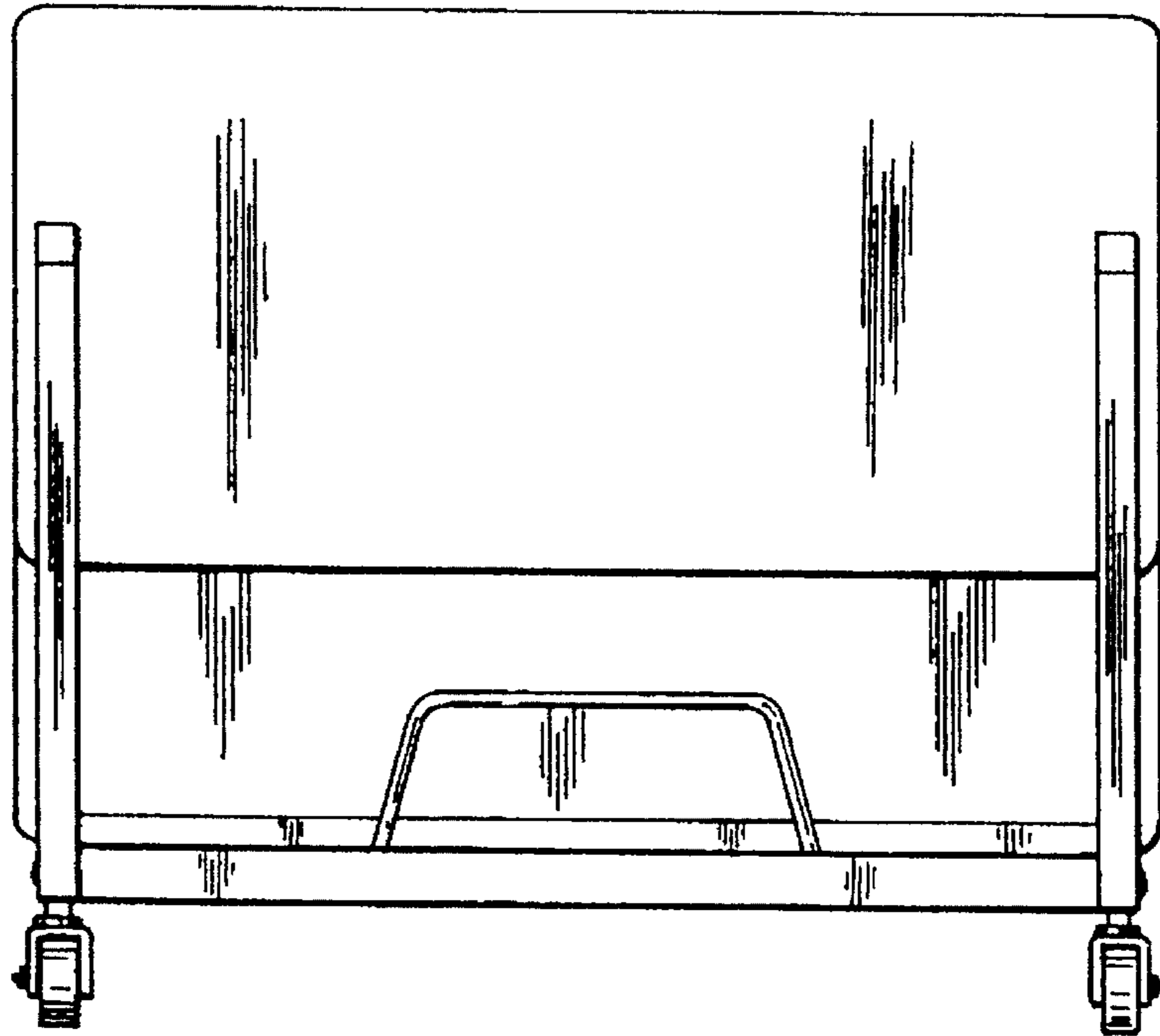


FIG. 4

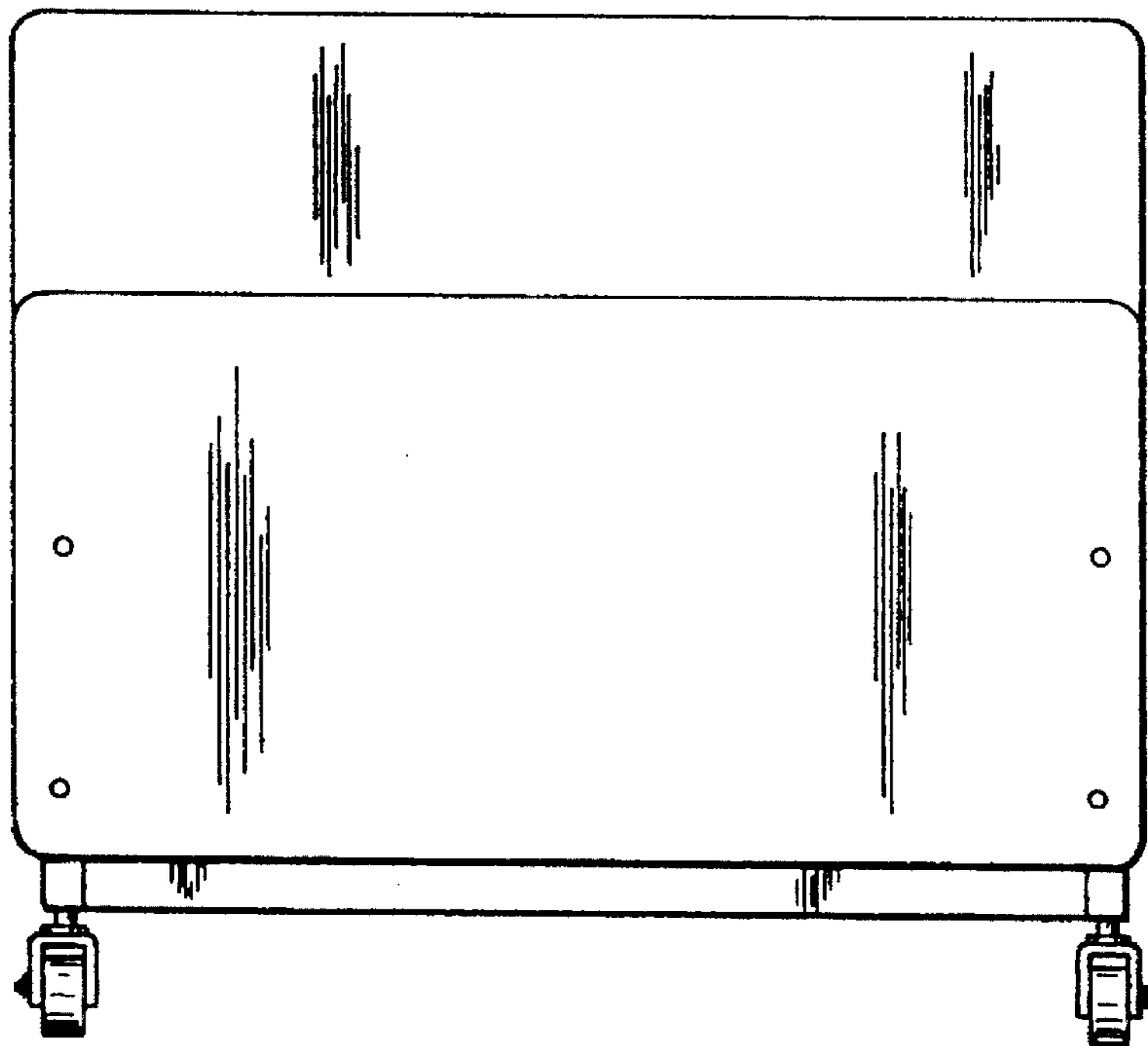


FIG. 5

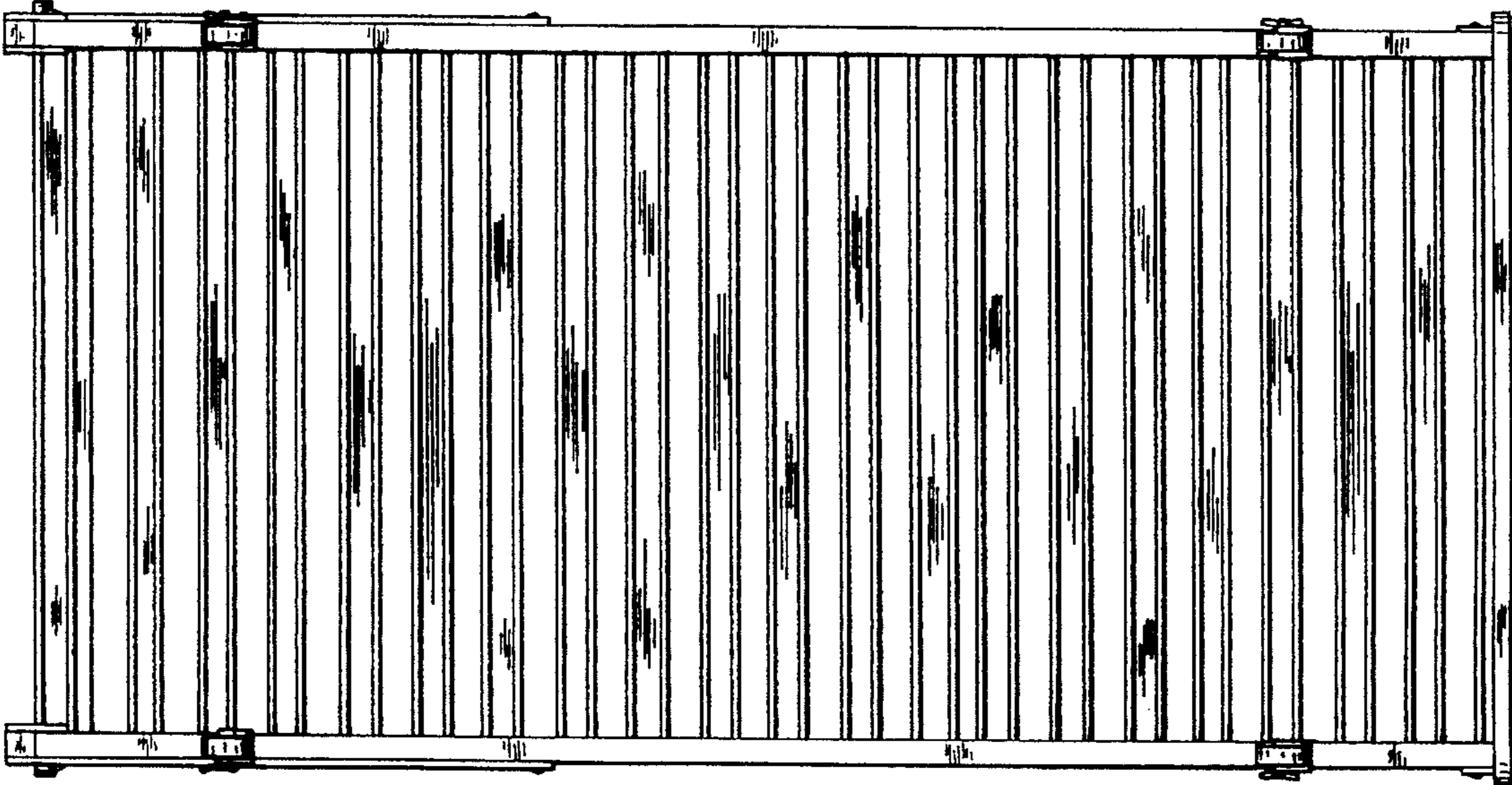


FIG. 6

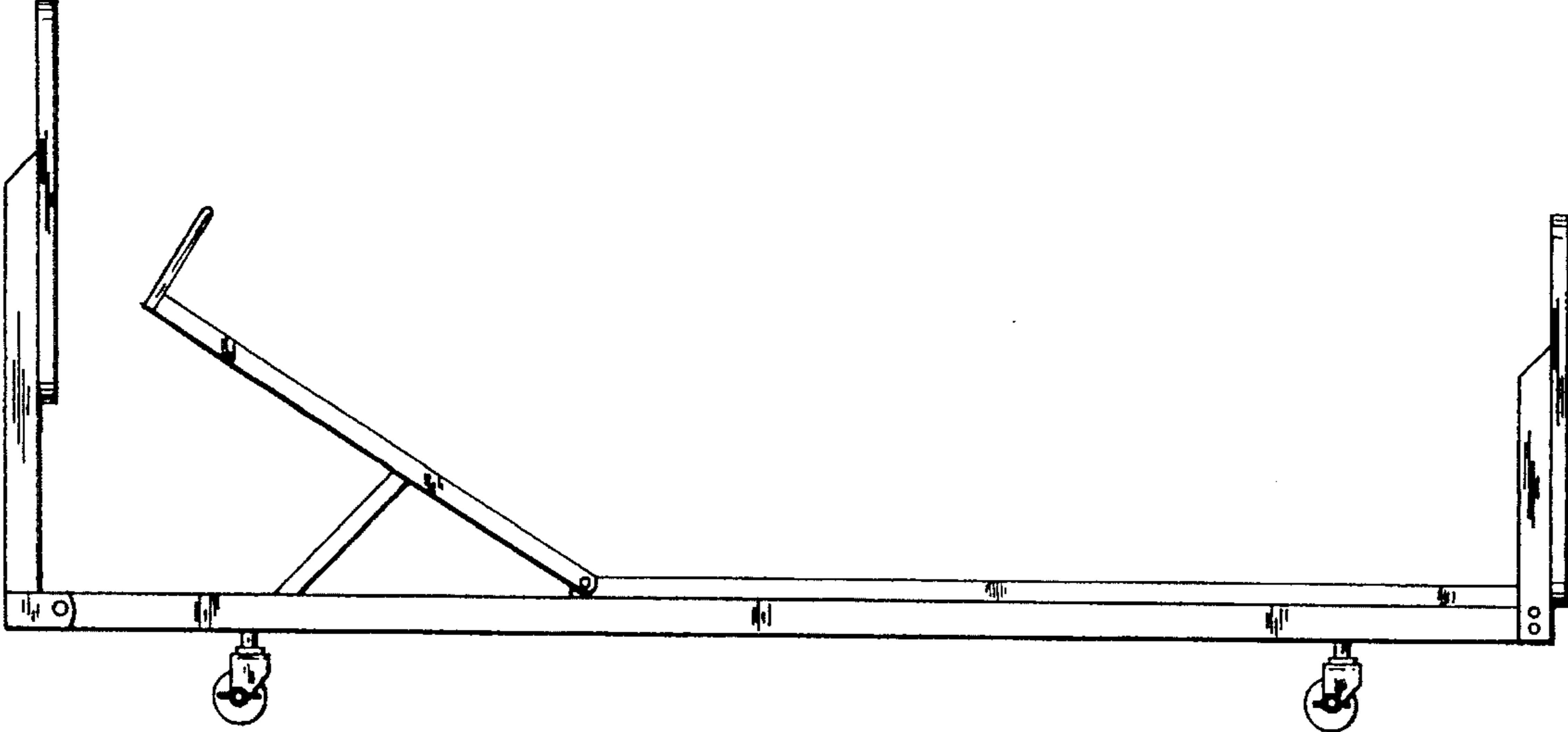


FIG. 7

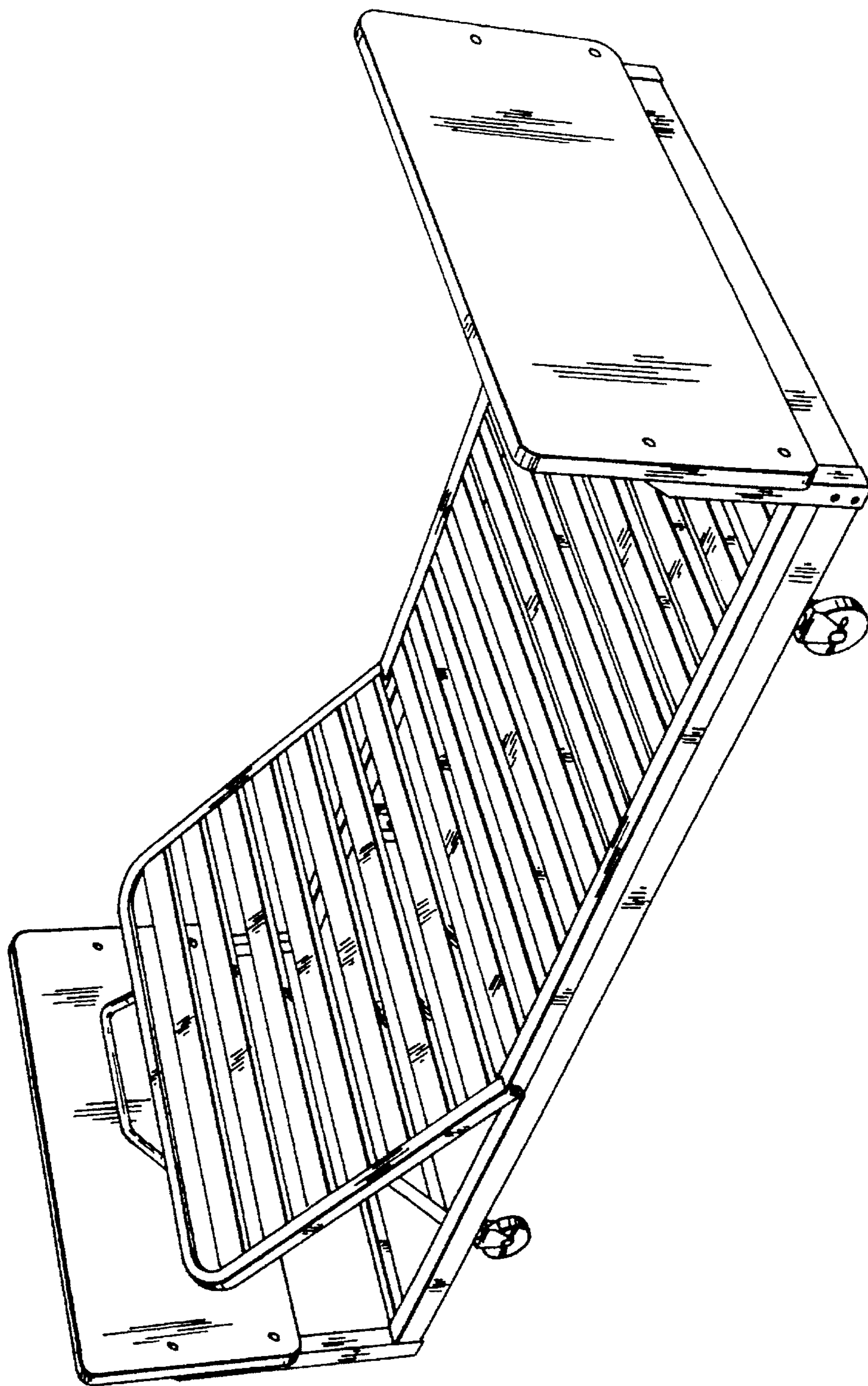


FIG. 8

