



US00D370132S

United States Patent [19]

Urias

[11] Patent Number: **Des. 370,132**

[45] Date of Patent: ****May 28, 1996**

[54] BICYCLE SEAT

5,203,606	4/1993	Granzotto	297/201
5,295,727	3/1994	Kao	297/215.14
5,330,283	7/1994	Ballard	403/97

[76] Inventor: **Cesar A. Urias**, 2510 S. Spruce St., Santa Ana, Calif. 92704

[**] Term: **14 Years**

Primary Examiner—Melody N. Brown
Attorney, Agent, or Firm—Goldstein and Associates

[21] Appl. No.: **36,115**

[57] **CLAIM**

[22] Filed: **Mar. 13, 1995**

The ornamental design for a bicycle seat, as shown and described.

[52] U.S. Cl. **D6/354**

[58] Field of Search D6/354; 297/195.1, 297/195.11, 202, 204, 205

DESCRIPTION

[56] **References Cited**

U.S. PATENT DOCUMENTS

D. 275,155	8/1984	Carlin	D6/354
D. 315,646	3/1991	Hood	D6/354
D. 326,782	6/1992	Scarcella	D6/354
D. 348,785	7/1994	White	D6/354
605,672	6/1898	Hunt	297/204
1,213,674	1/1917	Maslen	297/204
3,883,173	5/1975	Shephard et al.	297/312
4,130,263	12/1978	Roericht	297/195.11
4,877,286	10/1989	Hobson et al.	297/195

FIG. 1 is a perspective view of a bicycle seat showing the top, right, and front of my new design in full lines with the broken line showing of environmental association matter being for illustrative purposes only and forming no part of the claimed invention;

FIG. 2 is a top plan view of the bicycle seat per se;

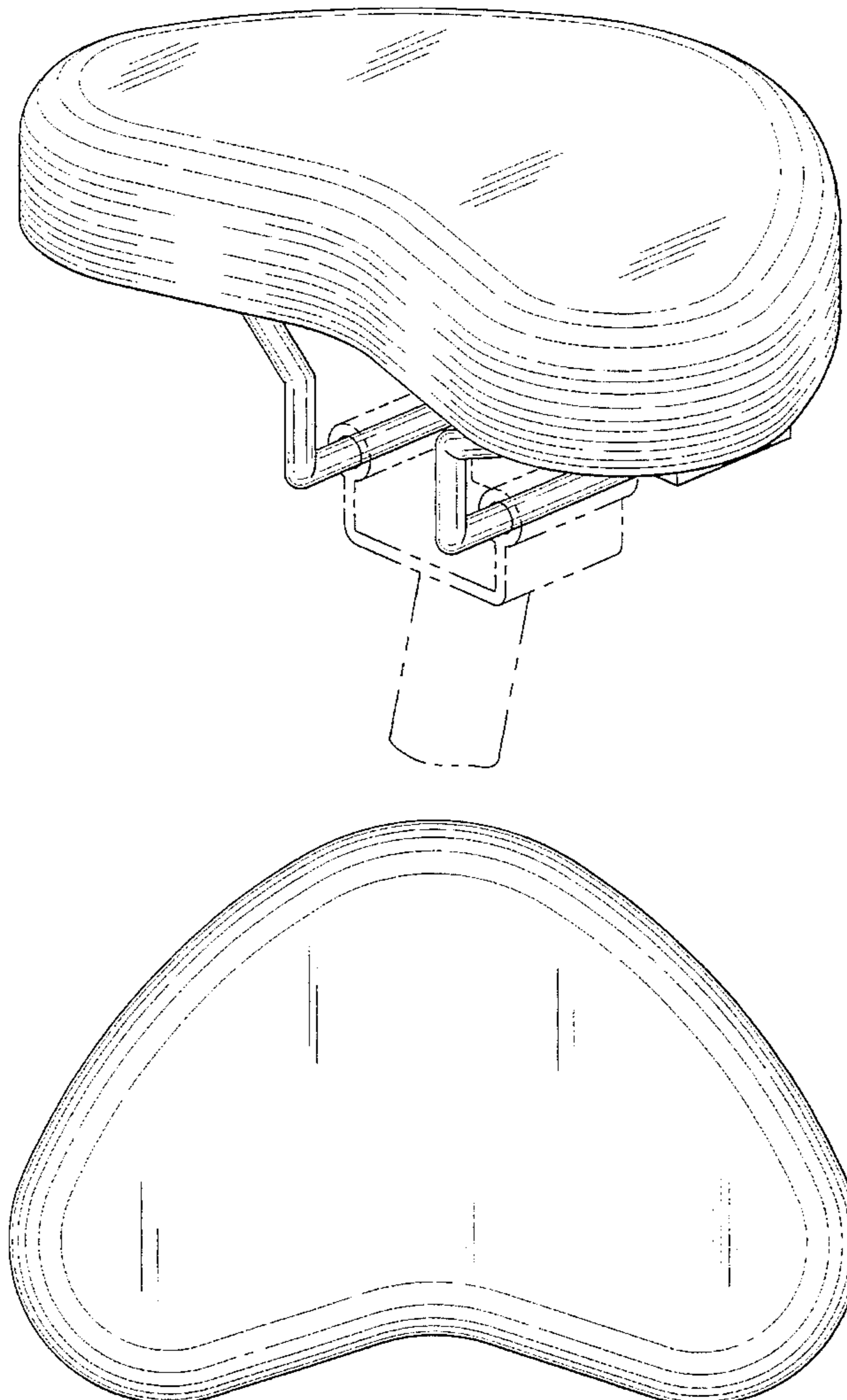
FIG. 3 is a bottom plan view thereof;

FIG. 4 is a right side view thereof, the left side being a mirror image thereof;

FIG. 5 is a front view thereof; and,

FIG. 6 is a rear elevational view thereof.

1 Claim, 4 Drawing Sheets



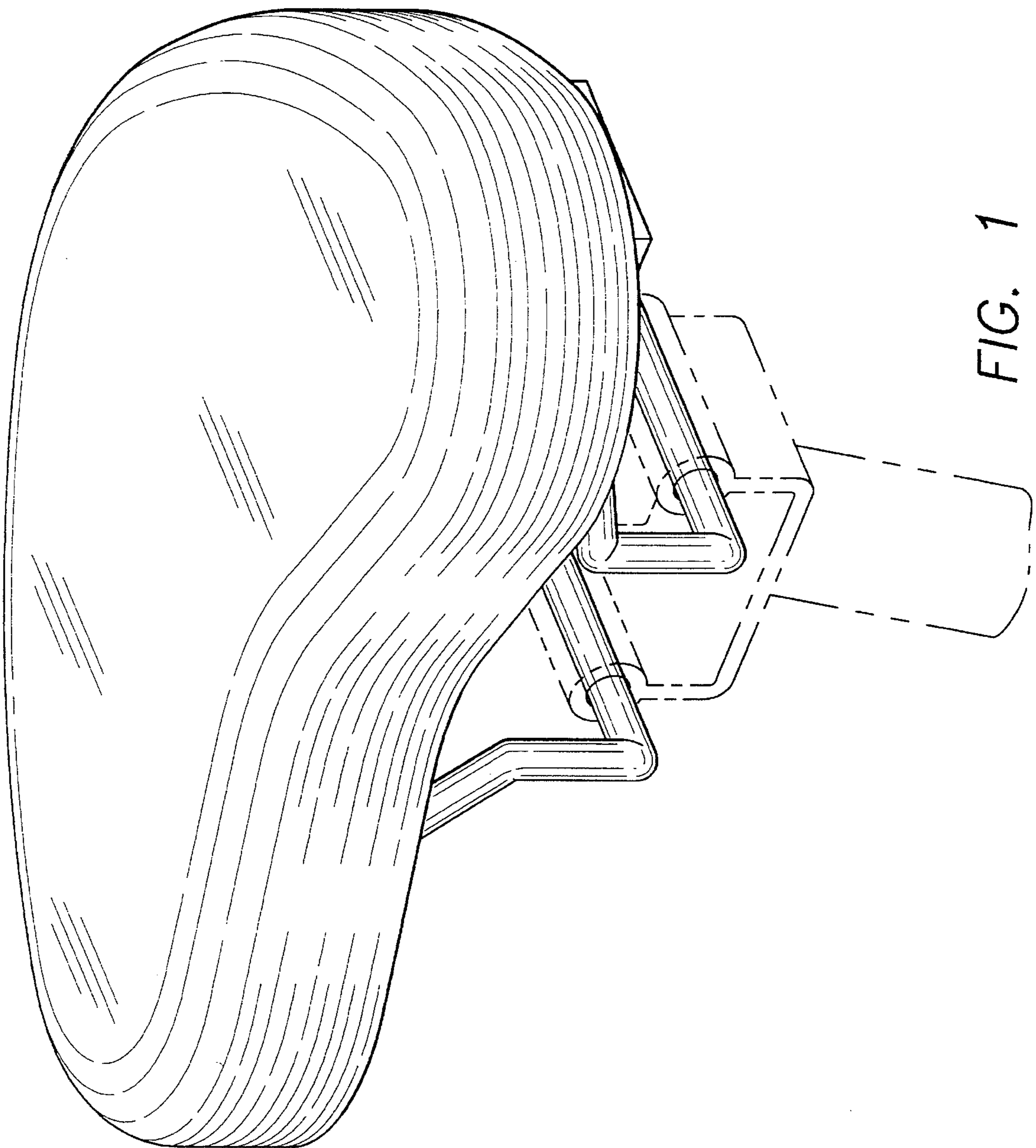


FIG. 1

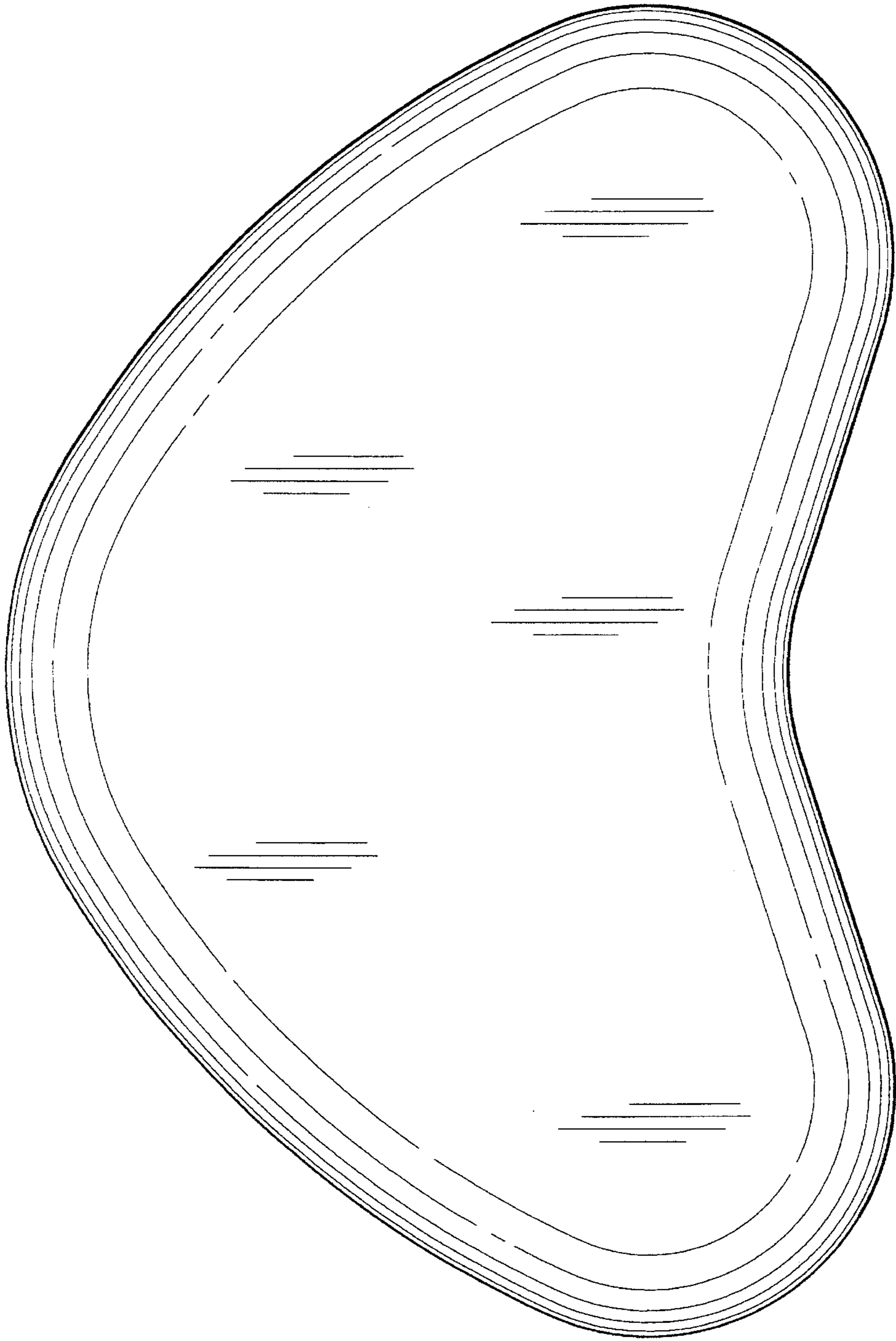


FIG. 2

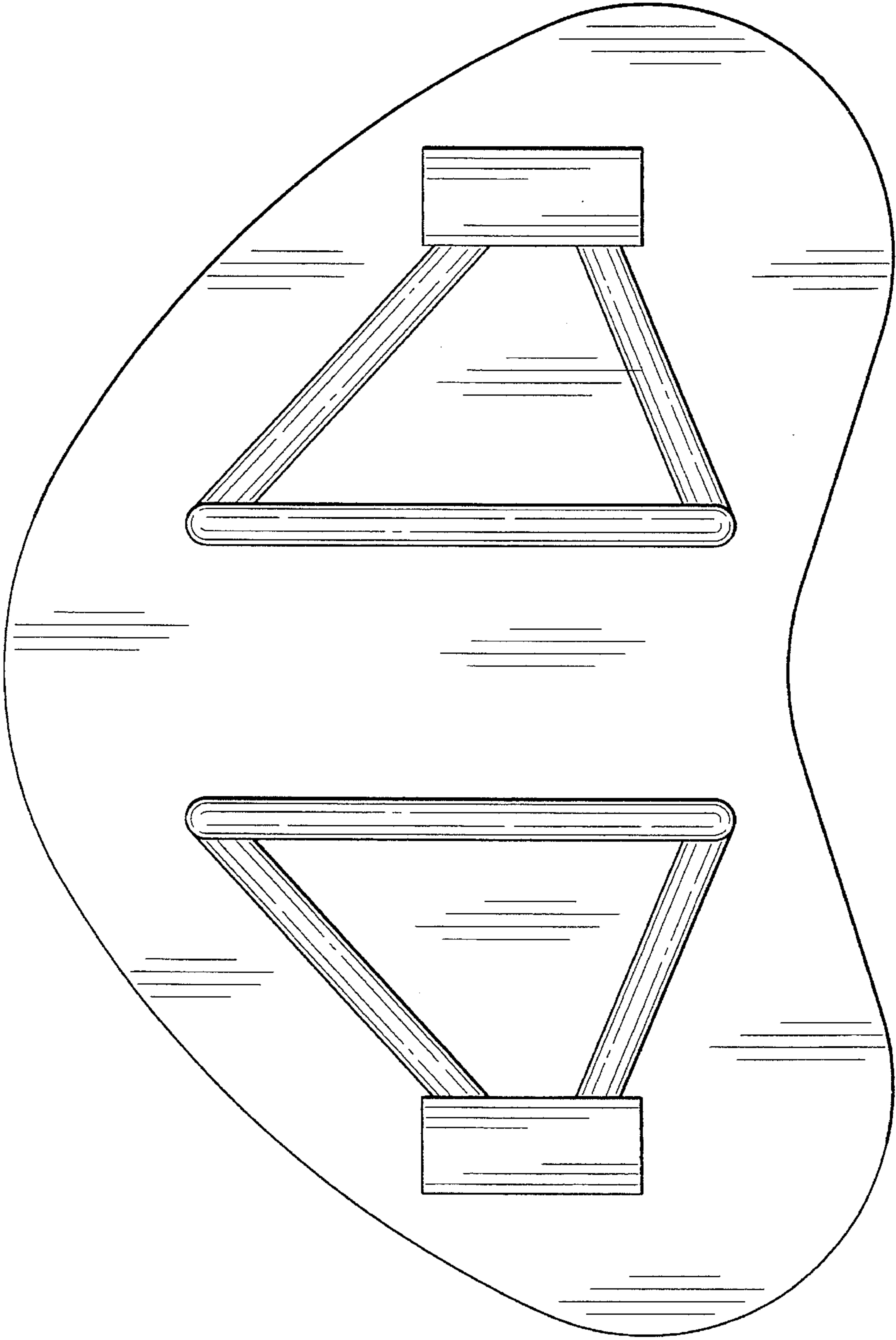


FIG. 3

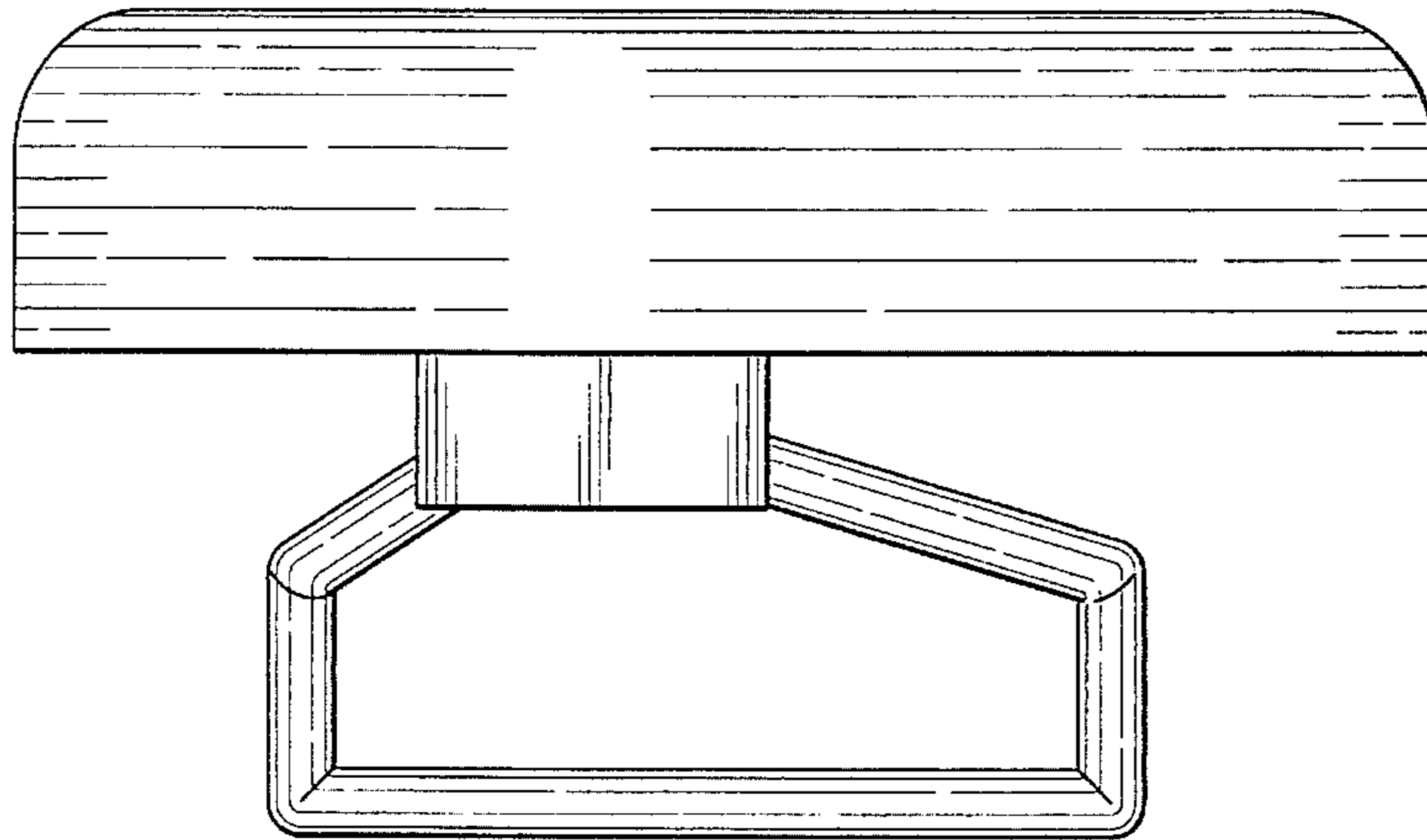


FIG. 4

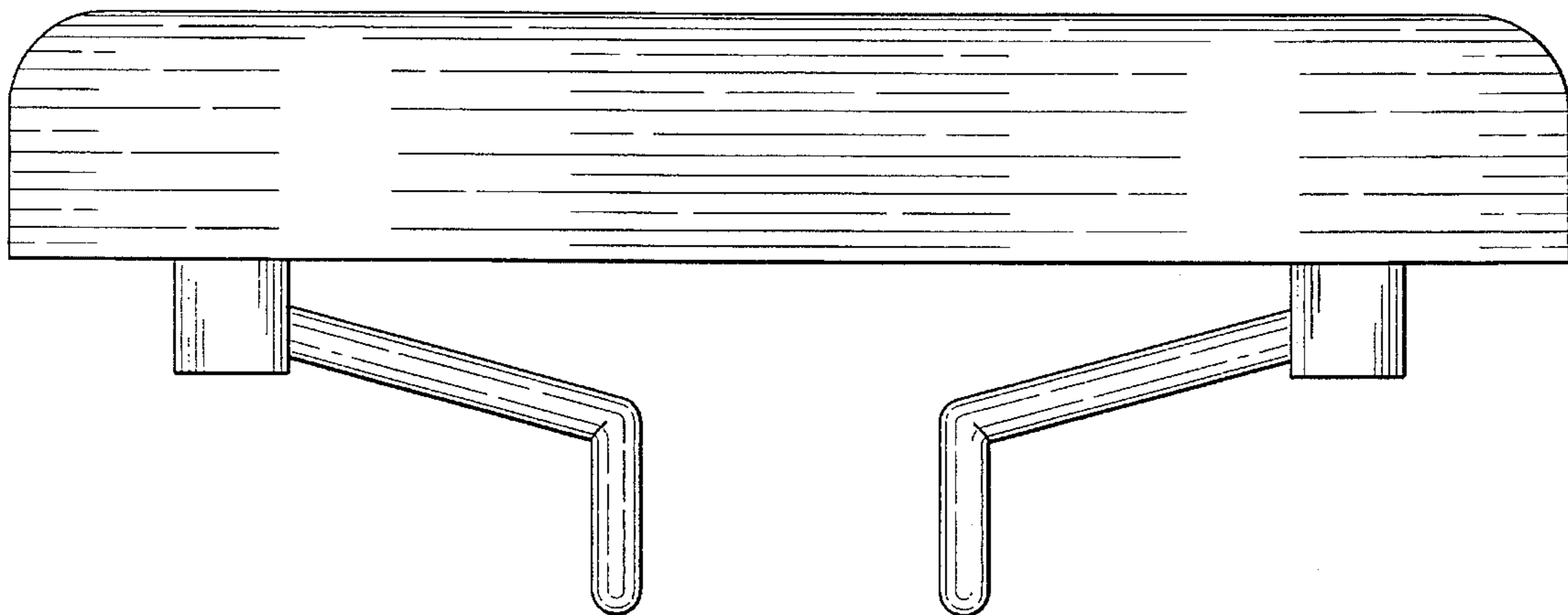


FIG. 5

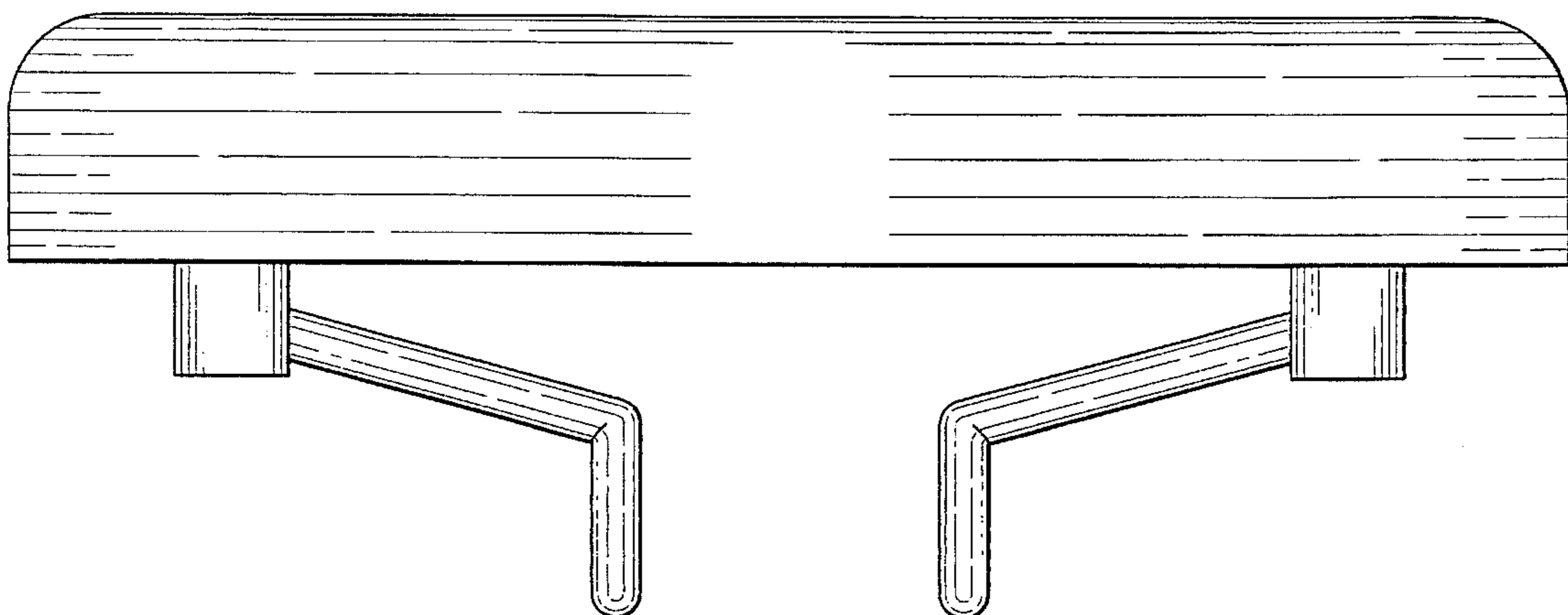


FIG. 6