



US00D370129S

**United States Patent** [19]  
**Freudenfeld**

[11] **Patent Number: Des. 370,129**  
[45] **Date of Patent: \*\*May 28, 1996**

[54] **DESIGN OF A PORTABLE HAIR STYLING MIRROR**

**FOREIGN PATENT DOCUMENTS**

196440 4/1923 United Kingdom ..... 359/854

[76] Inventor: **Shirley A. Freudenfeld**, 850 W. Theresa La., Glendale, Wis. 53209

**OTHER PUBLICATIONS**

Burnes of Boston 1983, p. 9 center left 7771 Series frame.

[\*\*] Term: **14 Years**

*Primary Examiner*—Janice E. Seeger  
*Attorney, Agent, or Firm*—Wheeler & Kromholz

[21] Appl. No.: **15,910**

[57] **CLAIM**

[22] Filed: **Dec. 1, 1993**

The ornamental design for a design of a portable hair styling mirror, as shown and described.

[52] **U.S. Cl.** ..... **D6/301; D6/312**

[58] **Field of Search** ..... D6/300–303, 308–312; 40/152, 152.1, 152.2, 154, 155, 597; 359/865, 854, 879, 838; 248/466; D28/64.1, 64.2, 64.3, 83, 78

**DESCRIPTION**

FIG. 1 is a front perspective view of a design of a portable hair styling mirror, showing my new design in partially open condition;

FIG. 2 is a front elevation fully open;

FIG. 3 is a right side view fully open;

FIG. 4 is a top view fully open. The bottom view is a mirror image;

FIG. 5 is a top view completely folded. The bottom view is a mirror image;

FIG. 6 is a rear view fully open; and,

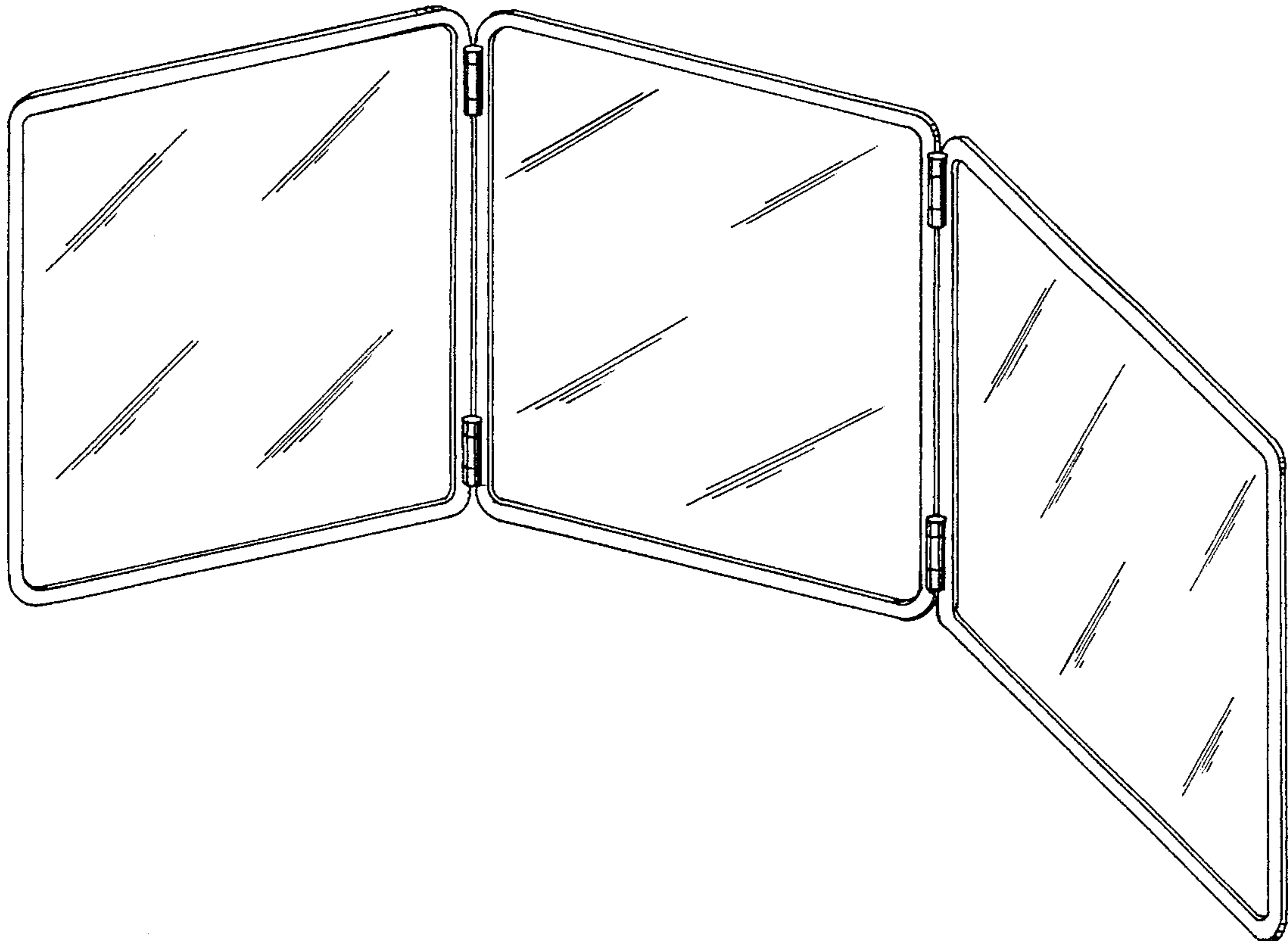
FIG. 7 is a left side view fully open.

**References Cited**

**U.S. PATENT DOCUMENTS**

D. 152,347	1/1949	Marty	.....	D6/301
1,945,072	1/1934	Quigley	.....	359/854 X
2,201,251	5/1940	Van Patten	.....	D6/301 X
2,590,744	3/1952	Woodbury	.....	40/756
2,668,477	2/1954	Shaikun	.....	359/854
3,132,432	5/1964	Yee	.....	40/152.1
3,914,890	10/1975	Behler, Jr.	.....	40/597
4,420,084	12/1983	Whelan	.....	D6/301 X
4,529,278	7/1985	Nugent	.....	248/467 X

**1 Claim, 3 Drawing Sheets**



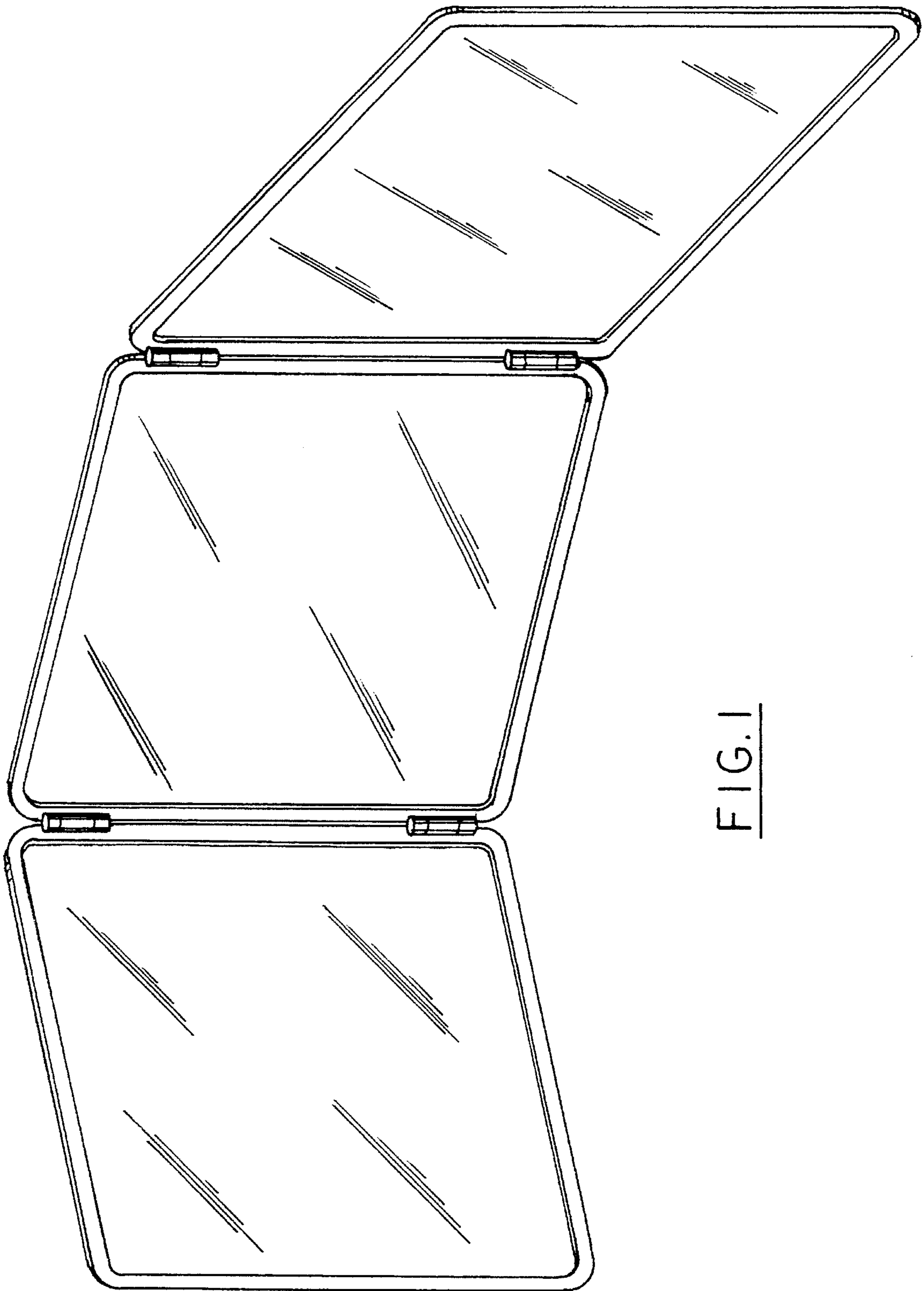


FIG. 1

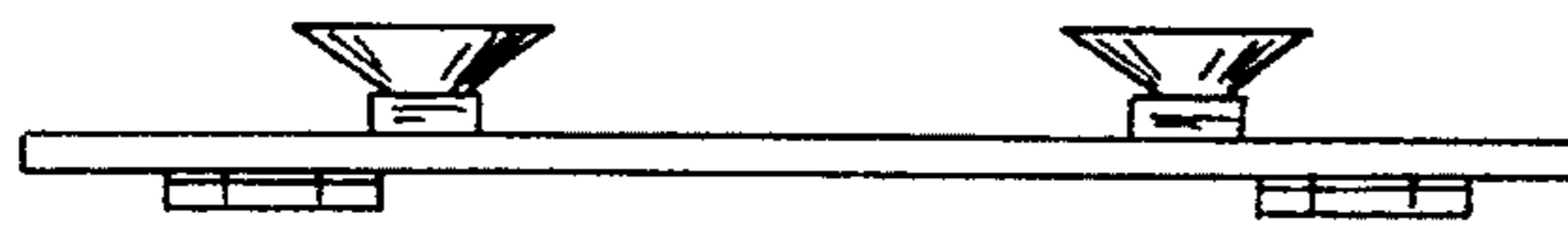


FIG. 3

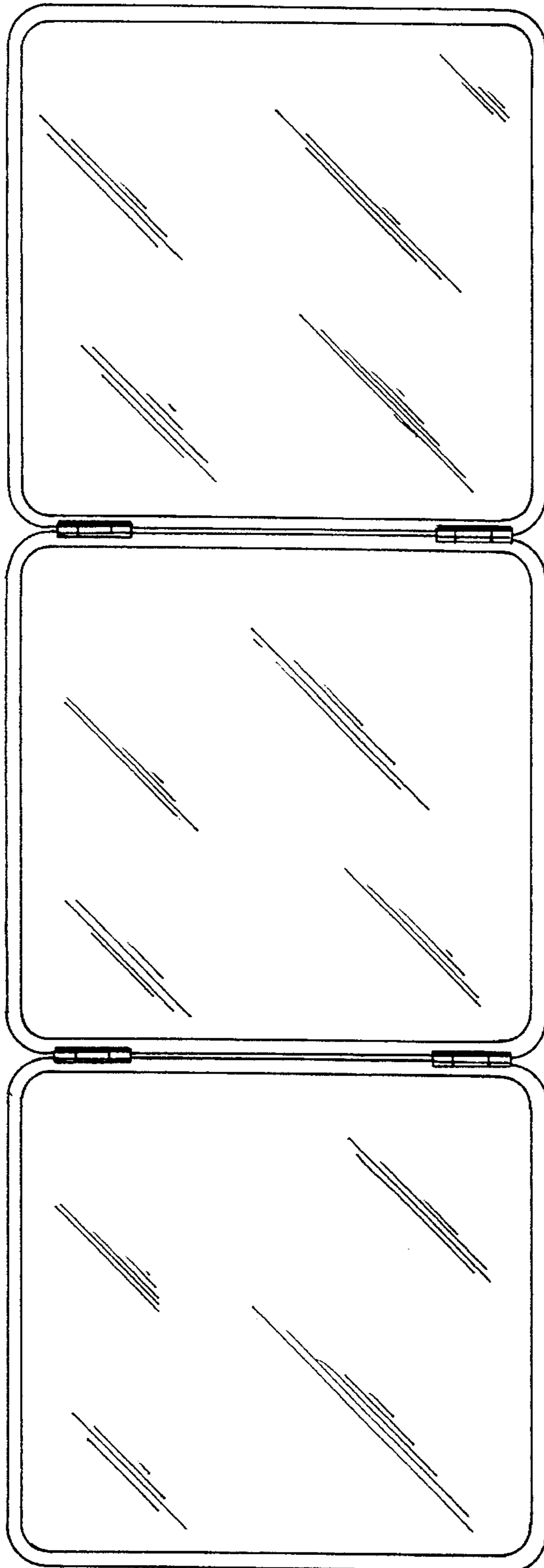


FIG. 2

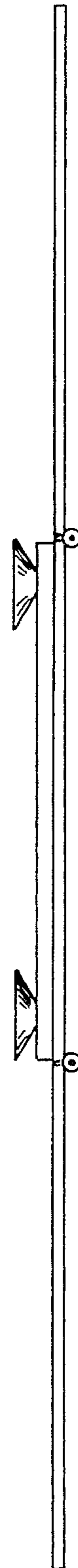


FIG. 4



FIG. 5

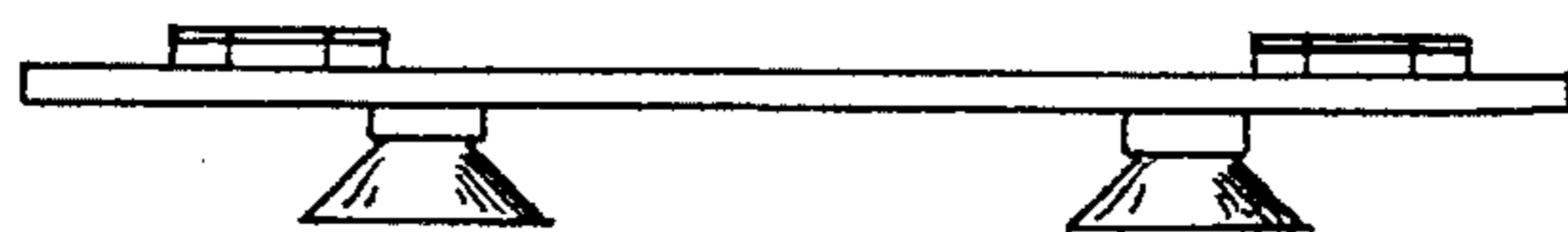


FIG. 7

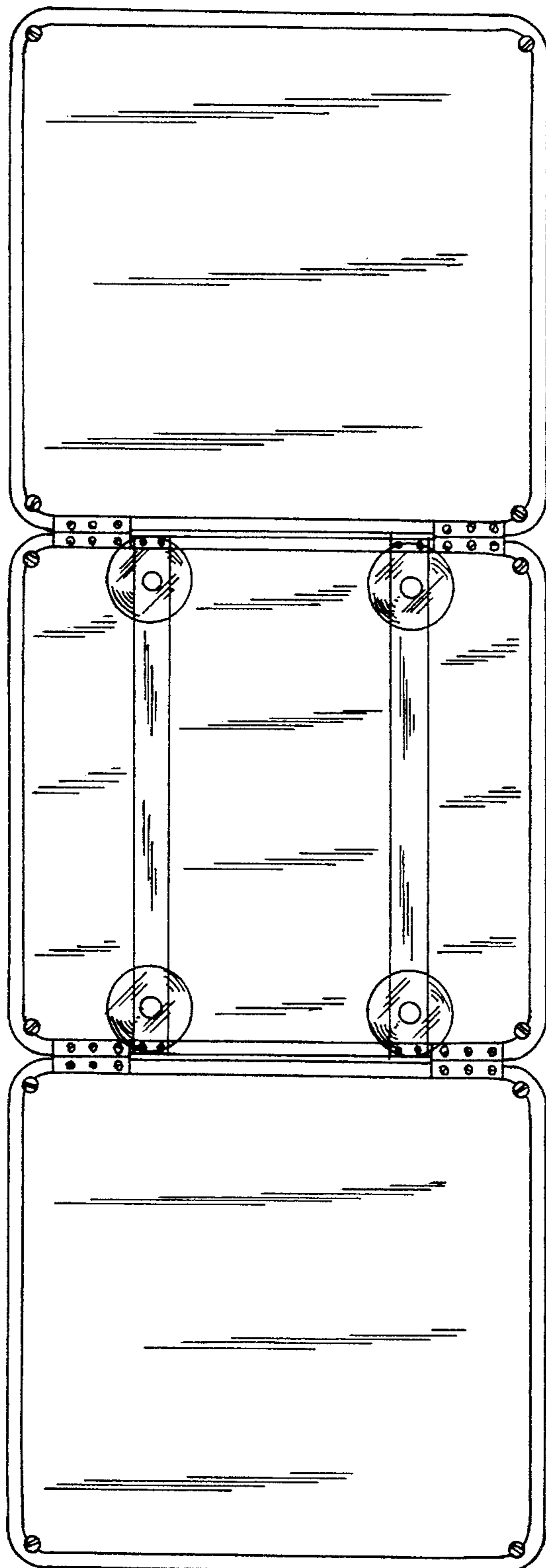


FIG. 6