



US00D370127S

United States Patent [19]

[11] Patent Number: **Des. 370,127**

Bonaddio et al.

[45] Date of Patent: ****May 28, 1996**

[54] **DIAMOND SURFACE PATTERN FOR SYNTHETIC FOAM SHEETING**

[75] Inventors: **Vincenzo A. Bonaddio**, Rancho Santa Margarita; **Feyyaz O. Baskent**, Newport Beach, both of Calif.

[73] Assignee: **Foamex L.P.**, Linwood, Pa.

[**] Term: **14 Years**

[21] Appl. No.: **31,538**

[22] Filed: **Nov. 30, 1994**

[52] U.S. Cl. **D5/58; D5/53**

[58] Field of Search **D5/45, 47, 52, D5/53, 54, 55, 61; D6/595, 596; D9/455, 456; D34/39; 5/481; 156/148; 264/284; 428/116, 117; 493/967**

[56] **References Cited**

U.S. PATENT DOCUMENTS

D. 114,207	4/1939	Corey	D34/39
D. 116,992	10/1939	Lord	D5/47
D. 116,993	10/1939	Lord	D5/47
D. 124,310	12/1940	Fryda	D5/47
D. 125,584	3/1941	Green	D5/47
D. 179,571	1/1957	Howell et al.	D5/53
D. 183,123	7/1958	Goforth et al.	D5/53

D. 184,138	12/1958	McCord	D5/53
D. 212,044	8/1968	Woodman	D5/53
D. 283,012	3/1986	Jankens	D9/456
D. 308,453	6/1990	Elrod	D6/596
D. 315,388	3/1991	Thomas	D6/596
D. 341,944	12/1993	Peter	D5/53
4,603,445	8/1986	Spann	D6/596 X

Primary Examiner—Alan P. Douglas
Assistant Examiner—Robert M. Spear
Attorney, Agent, or Firm—Beehler & Pavitt

[57] **CLAIM**

The ornamental design for diamond surface pattern for synthetic foam sheeting, as shown and described.

DESCRIPTION

FIG. 1 is a top plan view of a sheet of synthetic foam broken to indicate indeterminate length, showing our new design; FIG. 2 is an elevational view of the right hand side in FIG. 1, the opposite left hand side being identical; FIG. 3 is a front elevational view of the design of FIG. 1, the rear elevational view thereof being identical; FIG. 4 is a fragmentary view thereof in top side perspective taken in the area designated by the numeral 4 in FIG. 1; and, FIG. 5 is a side elevational view of the portion shown in FIG. 4.

1 Claim, 3 Drawing Sheets

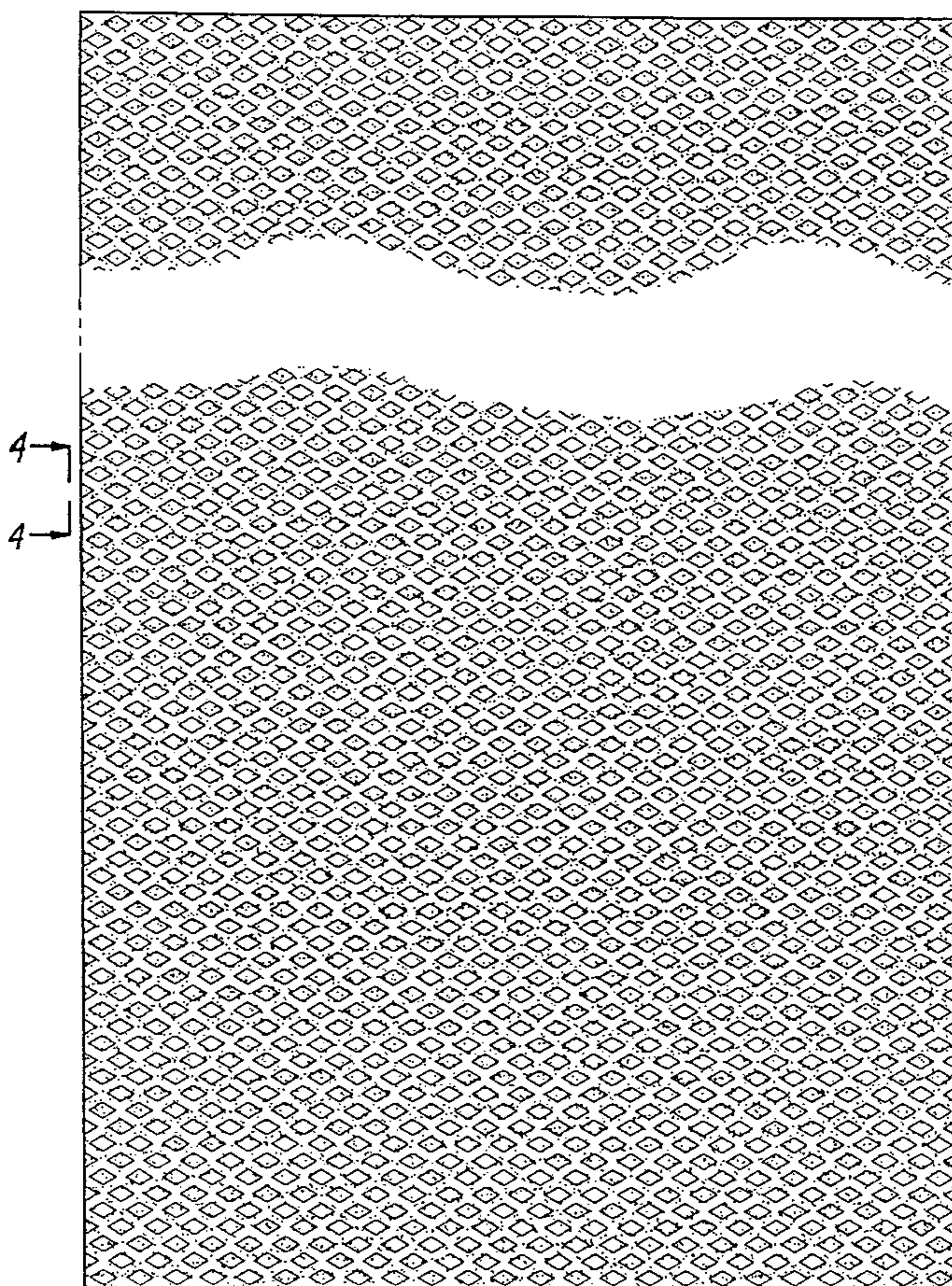


FIG. 1

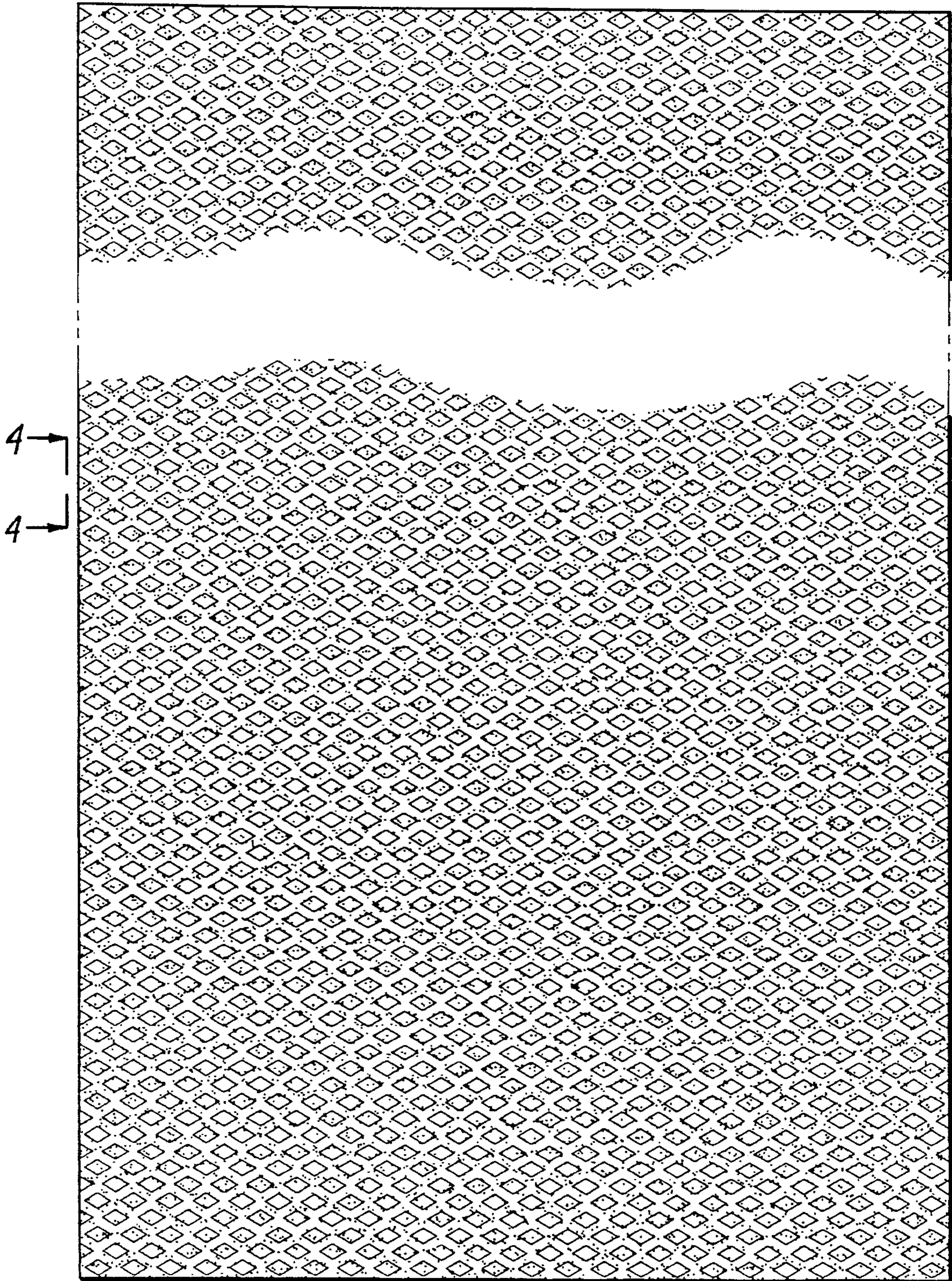


FIG. 2



FIG. 3



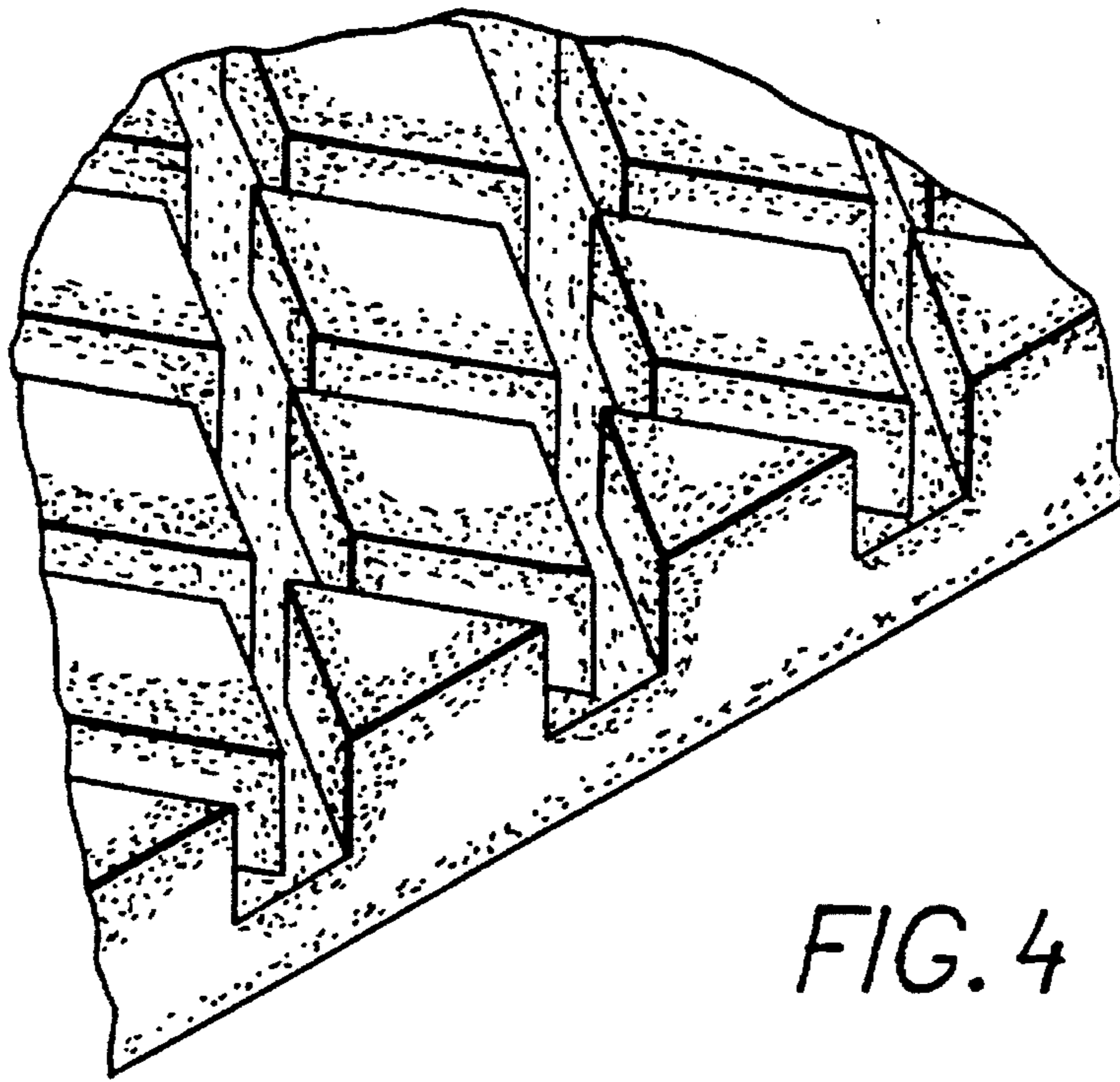


FIG. 4

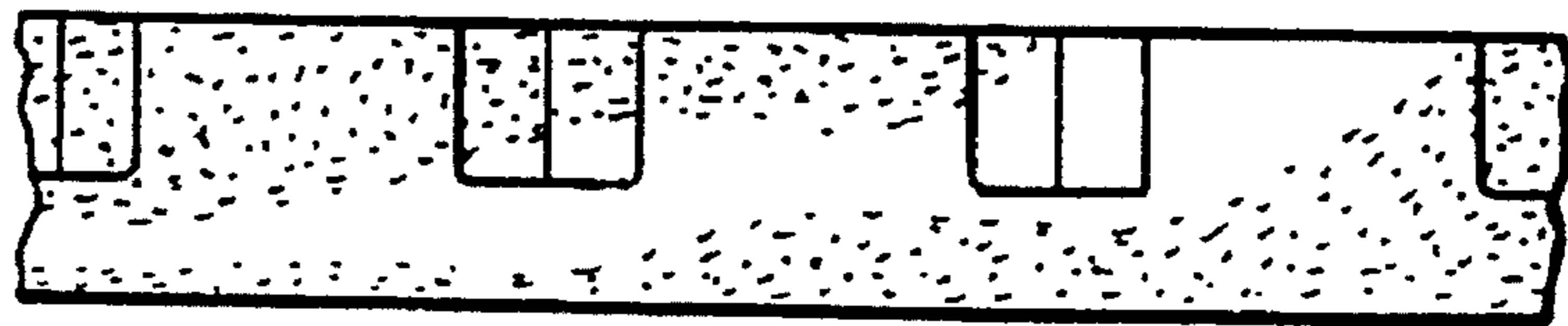


FIG. 5