



US00D370126S

# United States Patent [19]

Pfanstiehl et al.

[11] Patent Number: **Des. 370,126**

[45] Date of Patent: **\*\*May 28, 1996**

[54] **GLASS FIBER CLEANING BRUSH**  
[76] Inventors: **John G. Pfanstiehl; William R. Coddington**, both of c/o Pro Motorcar Products, Inc. 22025 US 19 N, Clearwater, Fla. 34625

1,024,126	4/1912	Fletcher	.....	451/557 X
1,268,343	6/1918	Greenbowe	.....	30/164.9
4,538,612	9/1985	Patrick, Jr.	.....	451/524 X
5,195,278	3/1993	Grove	.....	451/524

*Primary Examiner*—A. Hugo Word  
*Assistant Examiner*—Lavone Tabor

[\*\*] Term: **14 Years**

[57] **CLAIM**

[21] Appl. No.: **31,431**

The ornamental design for the glass fiber cleaning brush, as shown and described.

[22] Filed: **Nov. 28, 1994**

[52] U.S. Cl. .... **D4/135; D19/51; D19/55; D32/35**

**DESCRIPTION**

[58] **Field of Search** ..... D4/114, 127, 130, D4/132, 135, 138; D8/90; 15/143.1, 159.1, 160, 186, 187, 191.1; 451/523, 524, 540, 552, 557, 911; D32/35

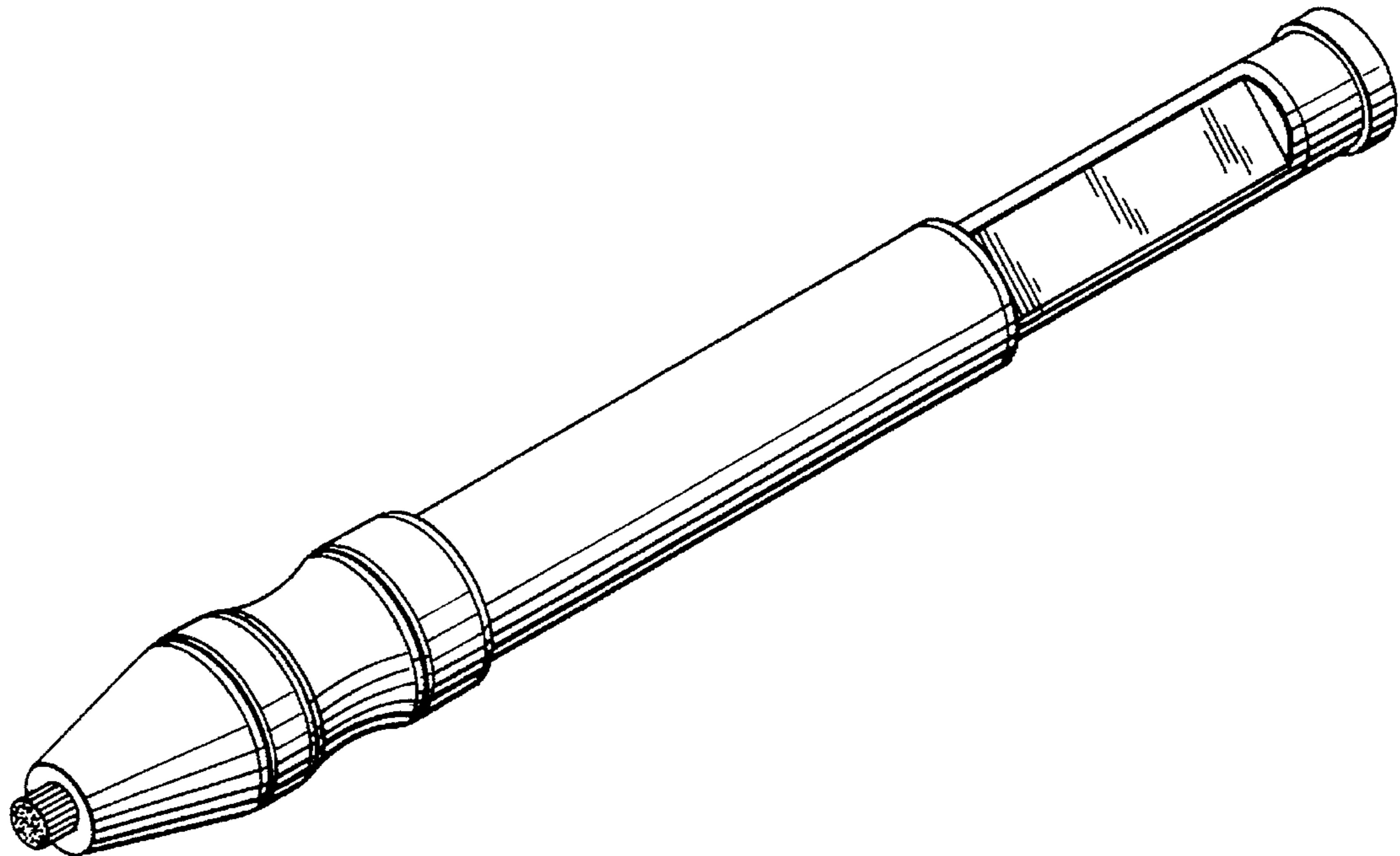
FIG. 1 is a perspective view of a glass fiber cleaning brush showing my new design;  
FIG. 2 is right side elevation view thereof, the left side elevational view being identical;  
FIG. 3 is a top elevational view thereof, the bottom elevational view being identical;  
FIG. 4 is a front elevational view thereof; and,  
FIG. 5 is a back elevational view thereof.

[56] **References Cited**

**U.S. PATENT DOCUMENTS**

D. 347,326 5/1994 Coleman ..... D4/135

**1 Claim, 1 Drawing Sheet**



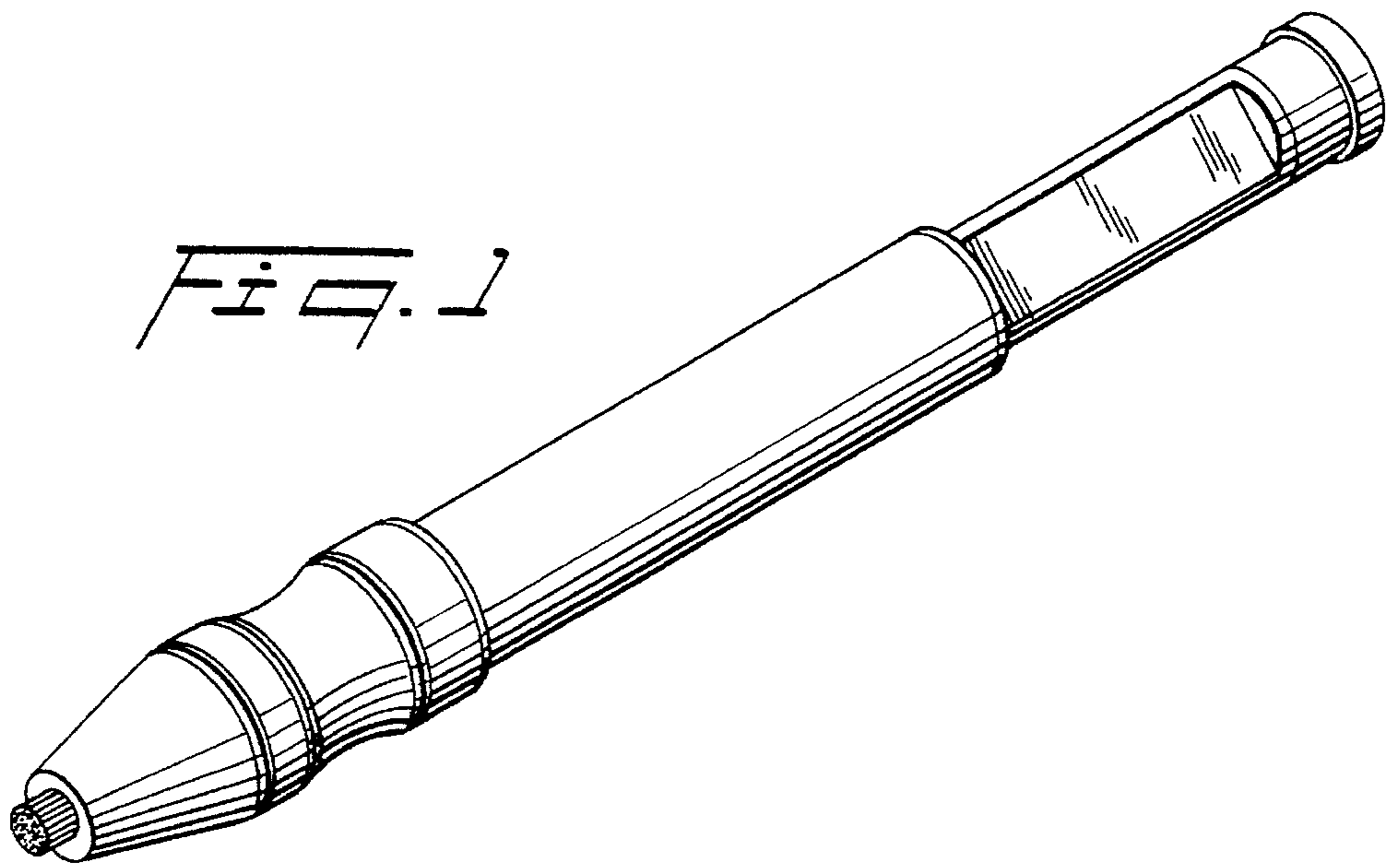


Fig. 1

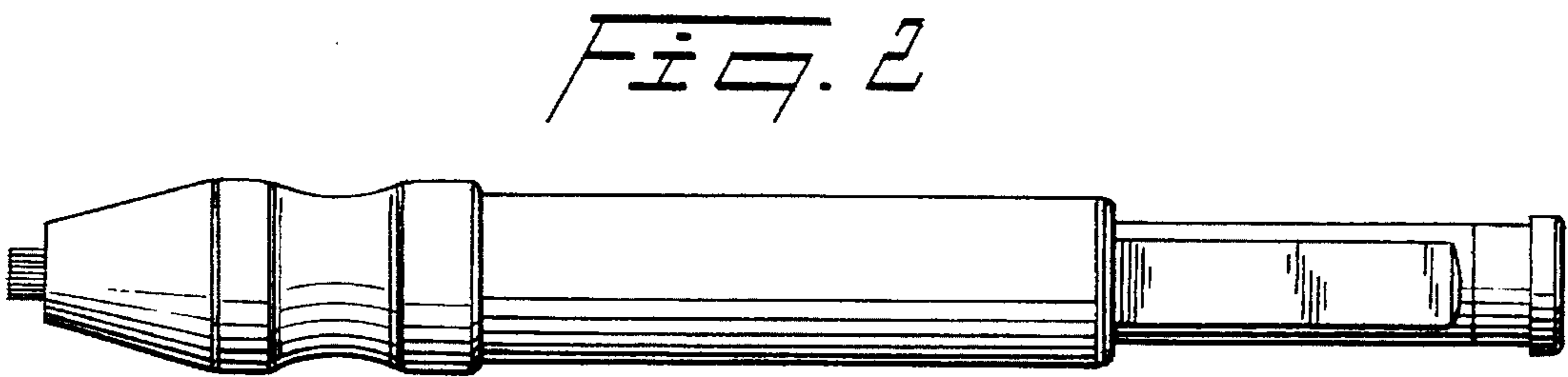


Fig. 2

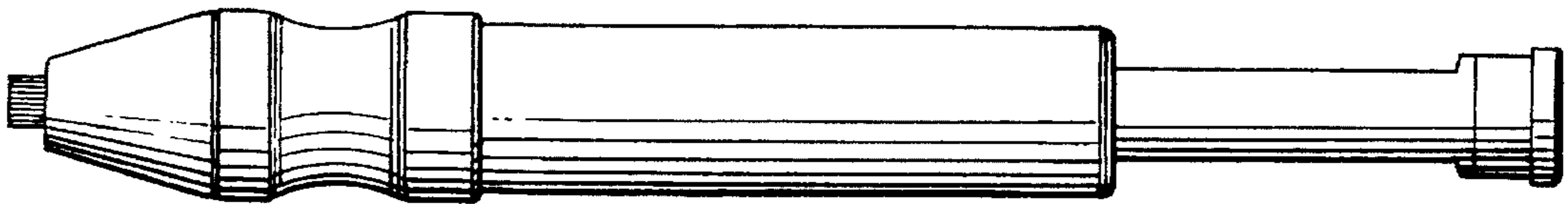


Fig. 3

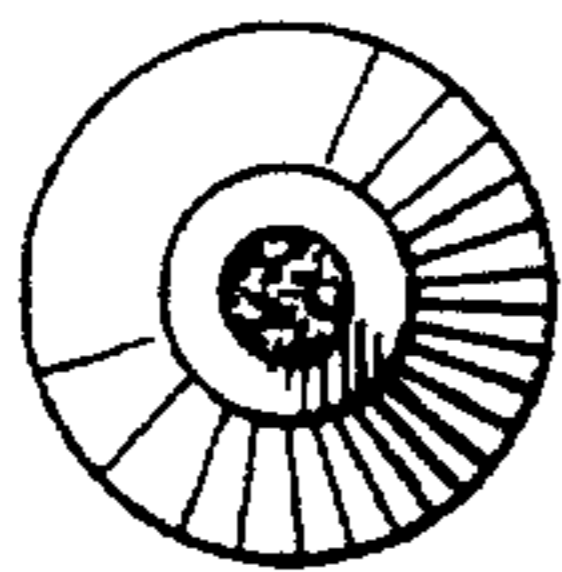


Fig. 4

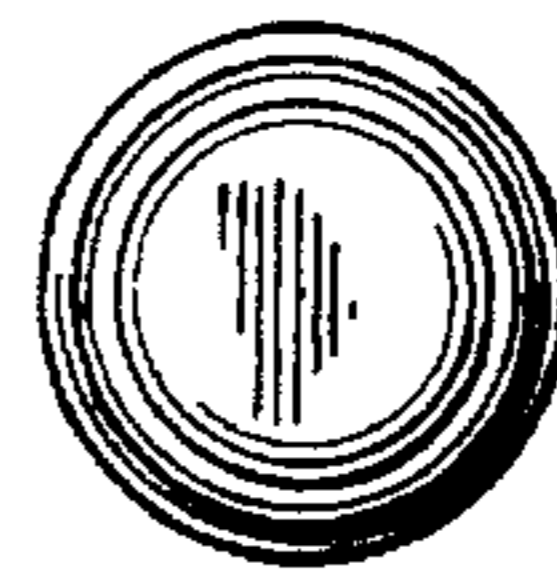


Fig. 5