



US00D370124S

United States Patent [19] Chamieh

[11] Patent Number: **Des. 370,124**

[45] Date of Patent: ****May 28, 1996**

[54] **FOUNTAIN CLEANING BRUSH**

[76] Inventor: **Naji Chamieh**, 13206 Summertime La.,
Culver City, Calif. 90230

[**] Term: **14 Years**

[21] Appl. No.: **19,553**

[22] Filed: **Mar. 3, 1994**

[52] U.S. Cl. **D4/115; D4/127**

[58] Field of Search D4/100, 102, 114-115,
D4/121, 127, 130; 15/21.1, 23-29, 97.1,
159.1, 160, 179-180; 401/268, 289, 291

[56] **References Cited**

U.S. PATENT DOCUMENTS

D. 234,552	3/1975	Beattie	D4/115
2,871,495	2/1959	Kazimierzak	15/180
3,114,164	12/1963	Riordan	15/29
3,736,614	6/1973	Crostic et al.	15/97.1
4,279,051	7/1981	Malcolm	15/29

Primary Examiner—A. Hugo Word

Assistant Examiner—Lavone Tabor
Attorney, Agent, or Firm—I. Morley Drucker; Howard N. Sommers; Daniel R. Kimbell

[57] **CLAIM**

The ornamental design for a fountain cleaning brush, as shown and described.

DESCRIPTION

FIG. 1 is a perspective view of my new design for a fountain cleaning brush;

FIG. 2 is a top plan view of my new design;

FIG. 3 is a bottom plan view of my new design;

FIG. 4 is a right side elevational view of my new design;

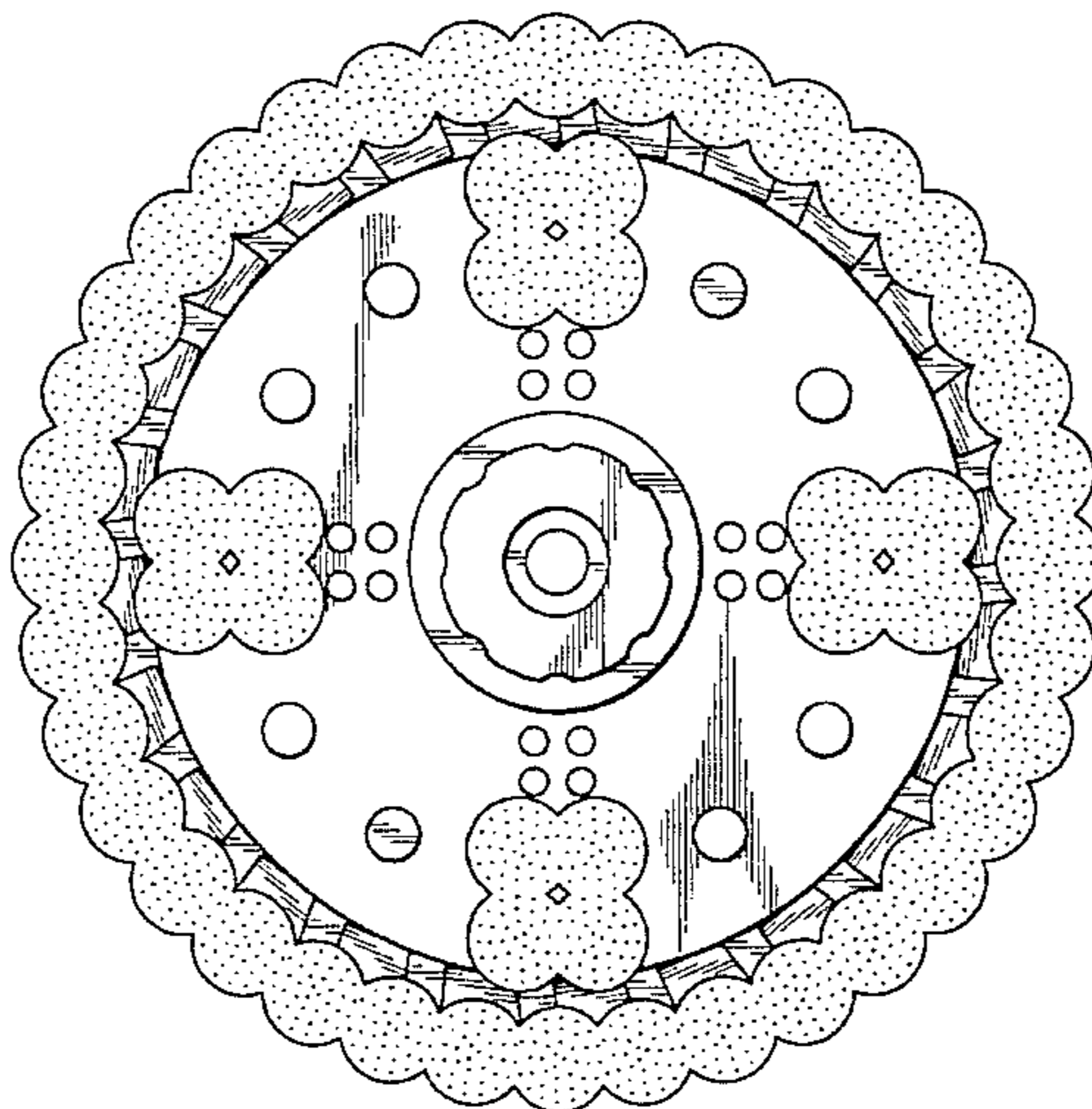
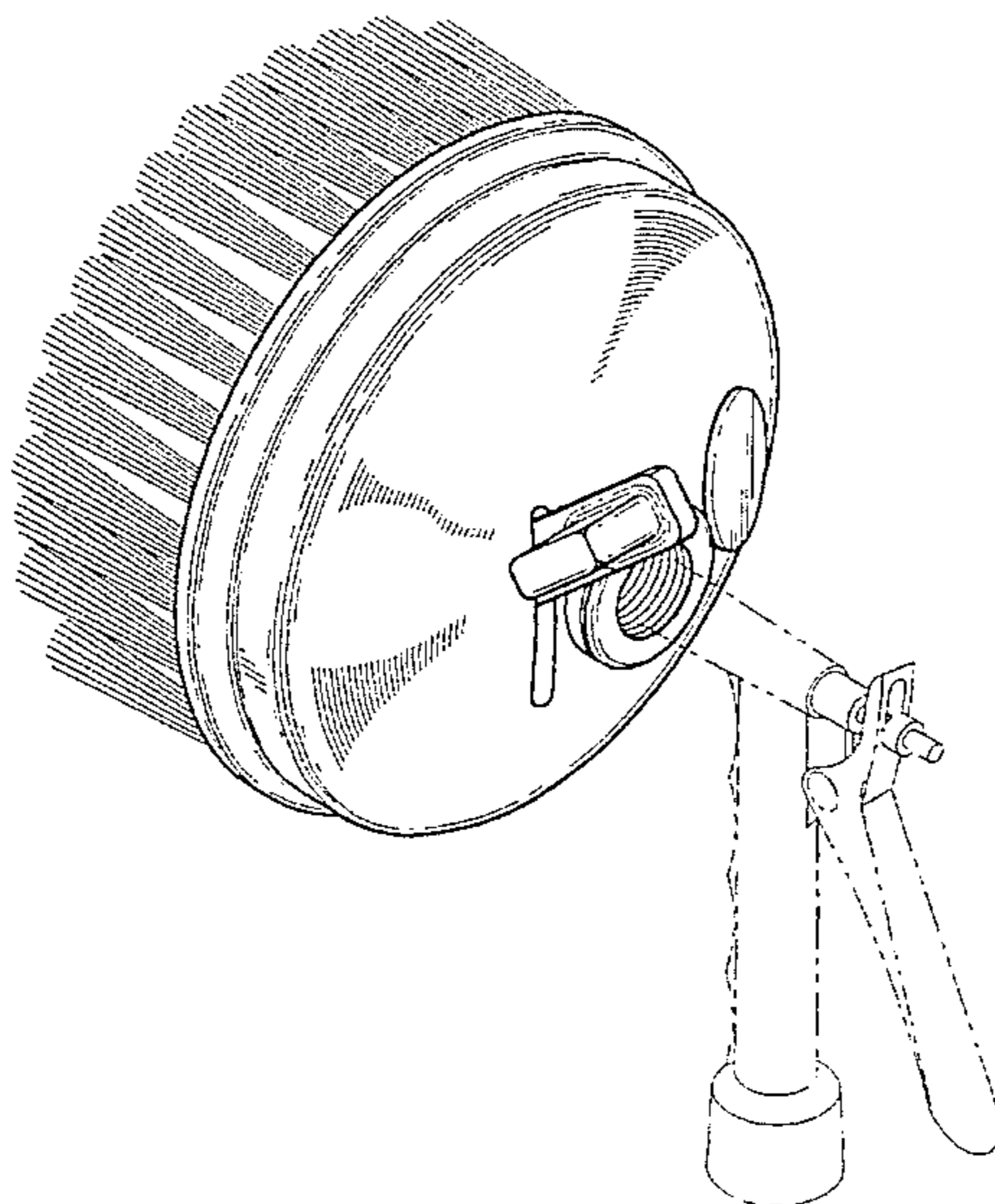
FIG. 5 is a left side elevational view of my new design;

FIG. 6 is a front elevational view of my new design; and,

FIG. 7 is a rear elevational view of my new design;

The broken lines showing a water hose nozzle are for illustrative purposes only and form no part of the claimed design.

1 Claim, 5 Drawing Sheets



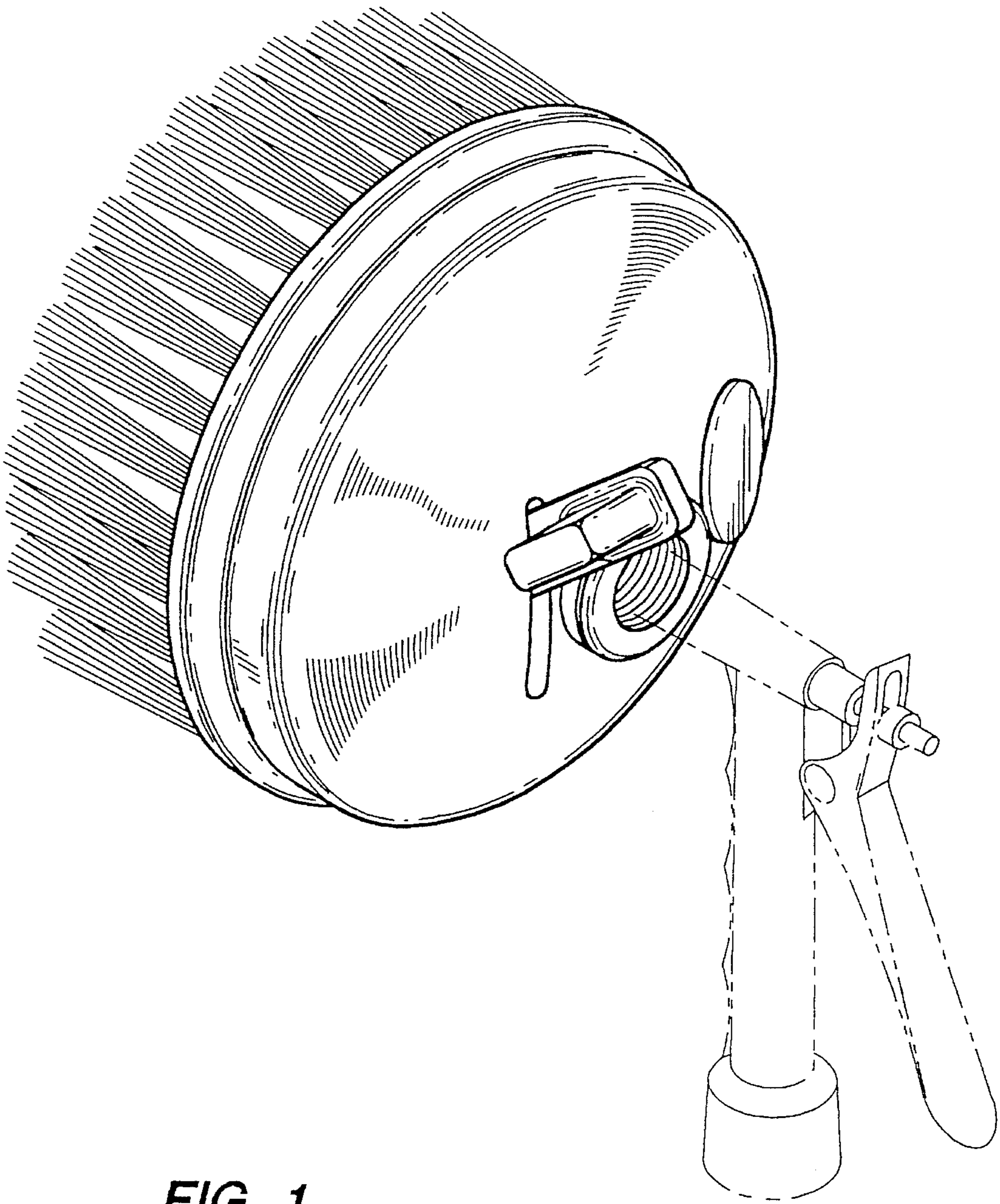


FIG. 1

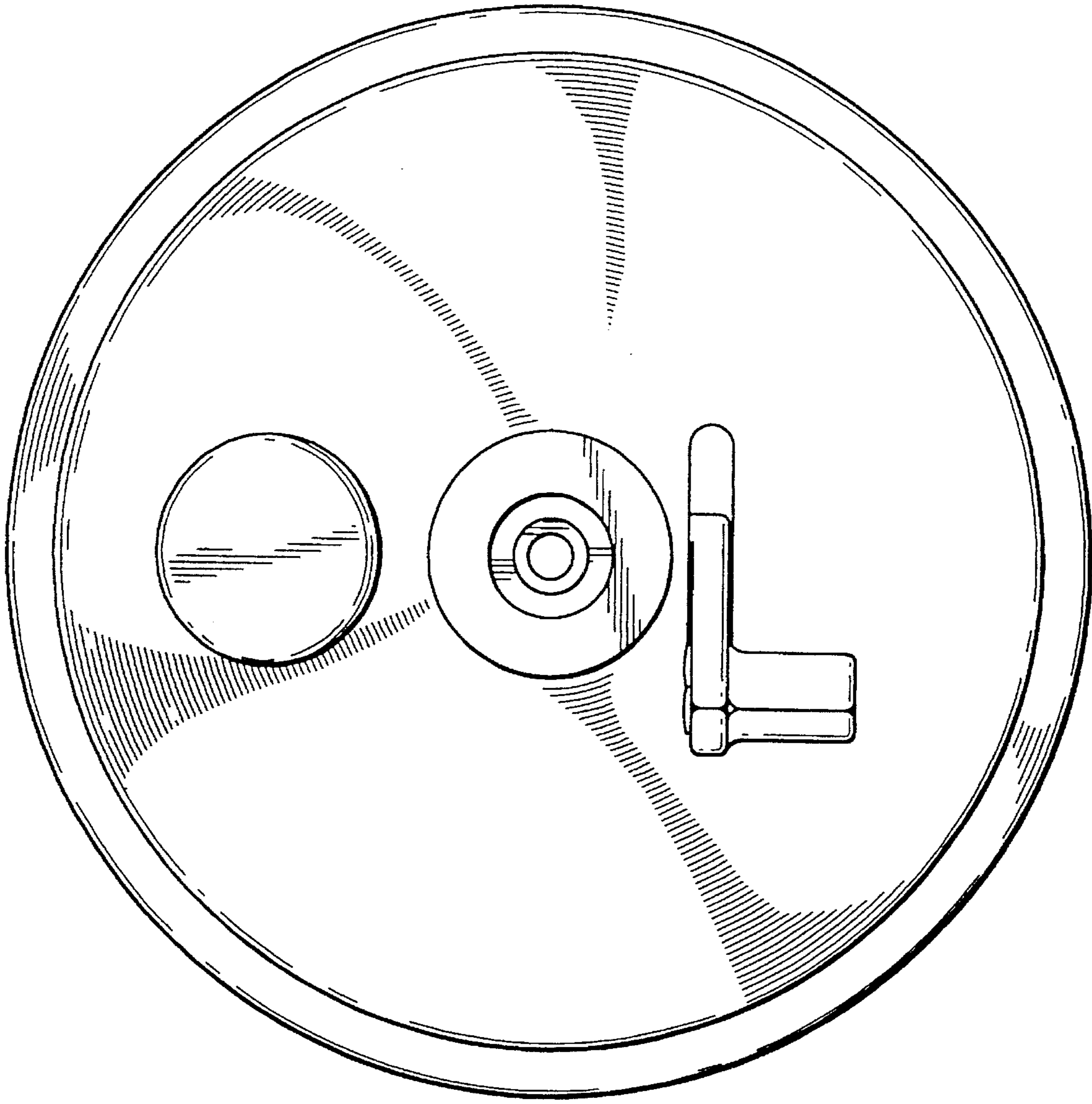


FIG. 2

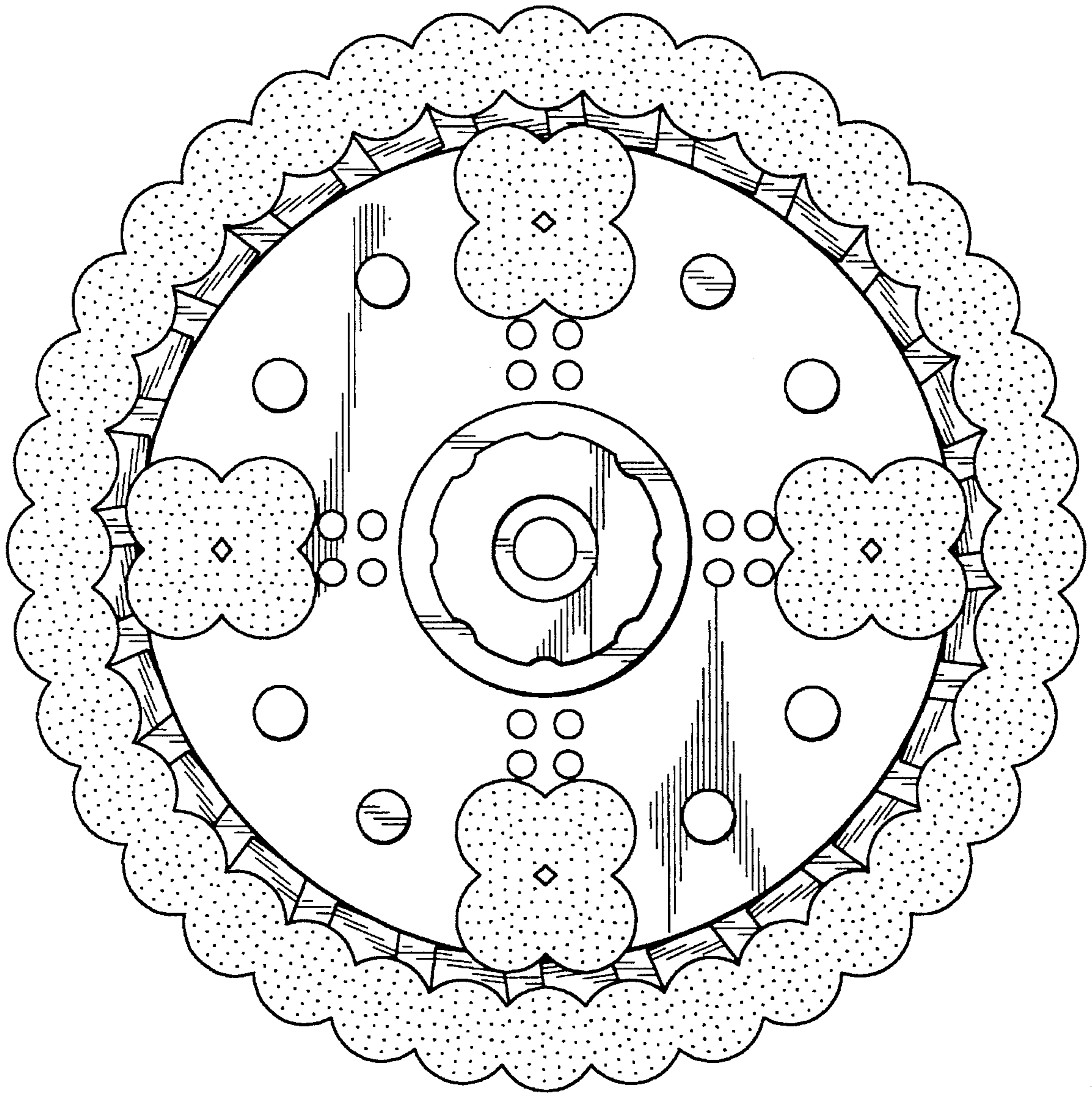


FIG. 3

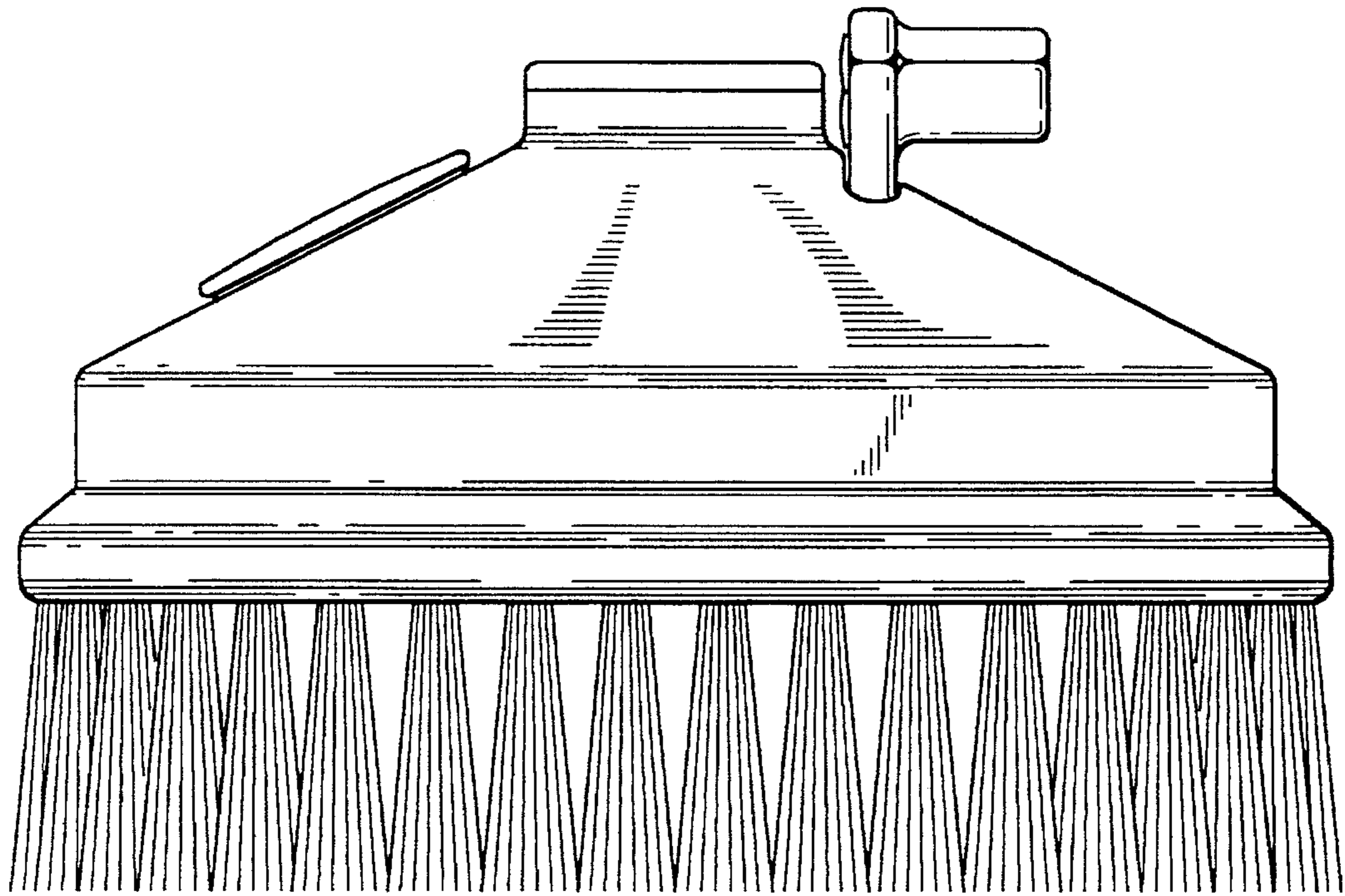


FIG. 4

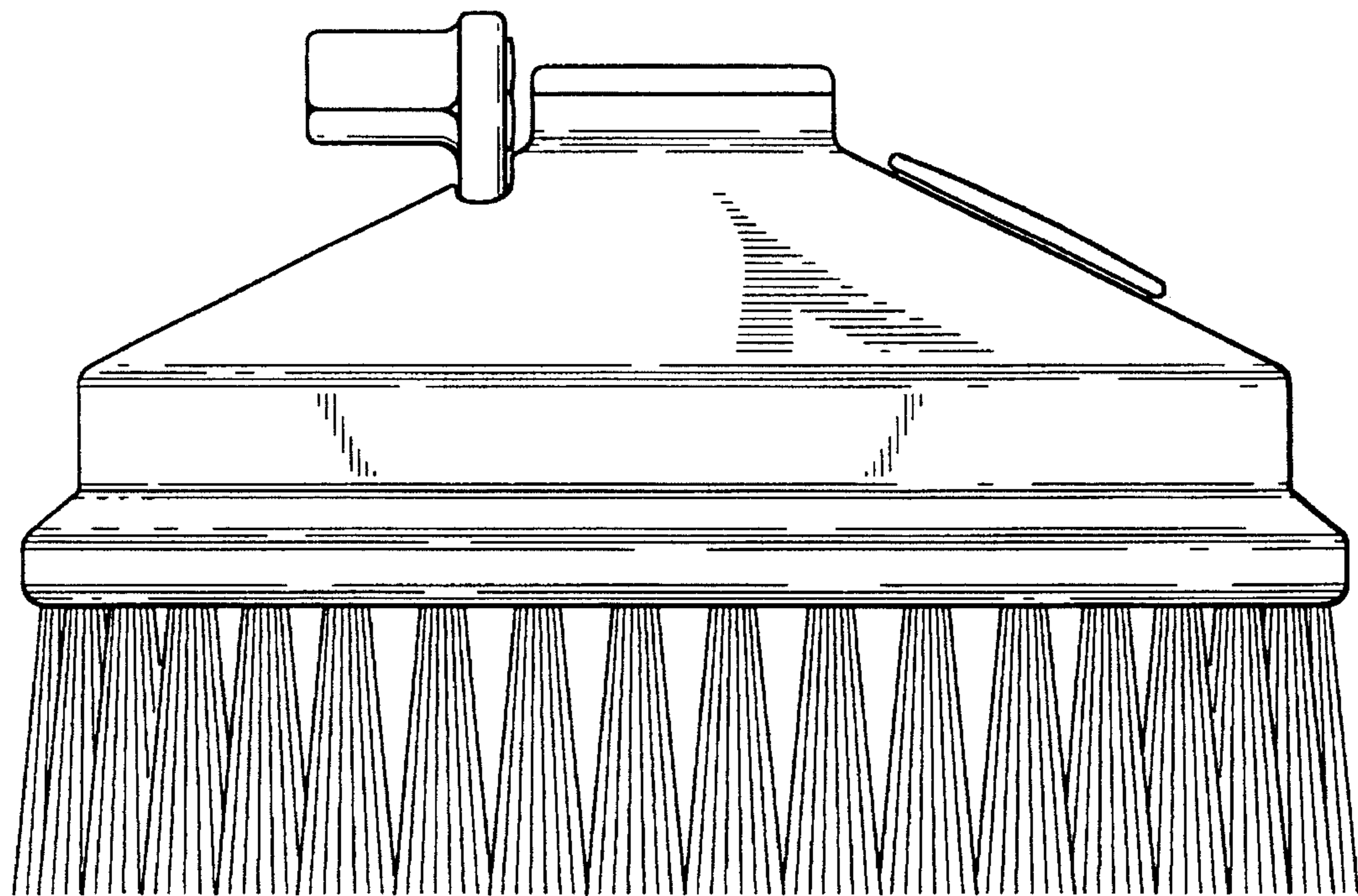


FIG. 5

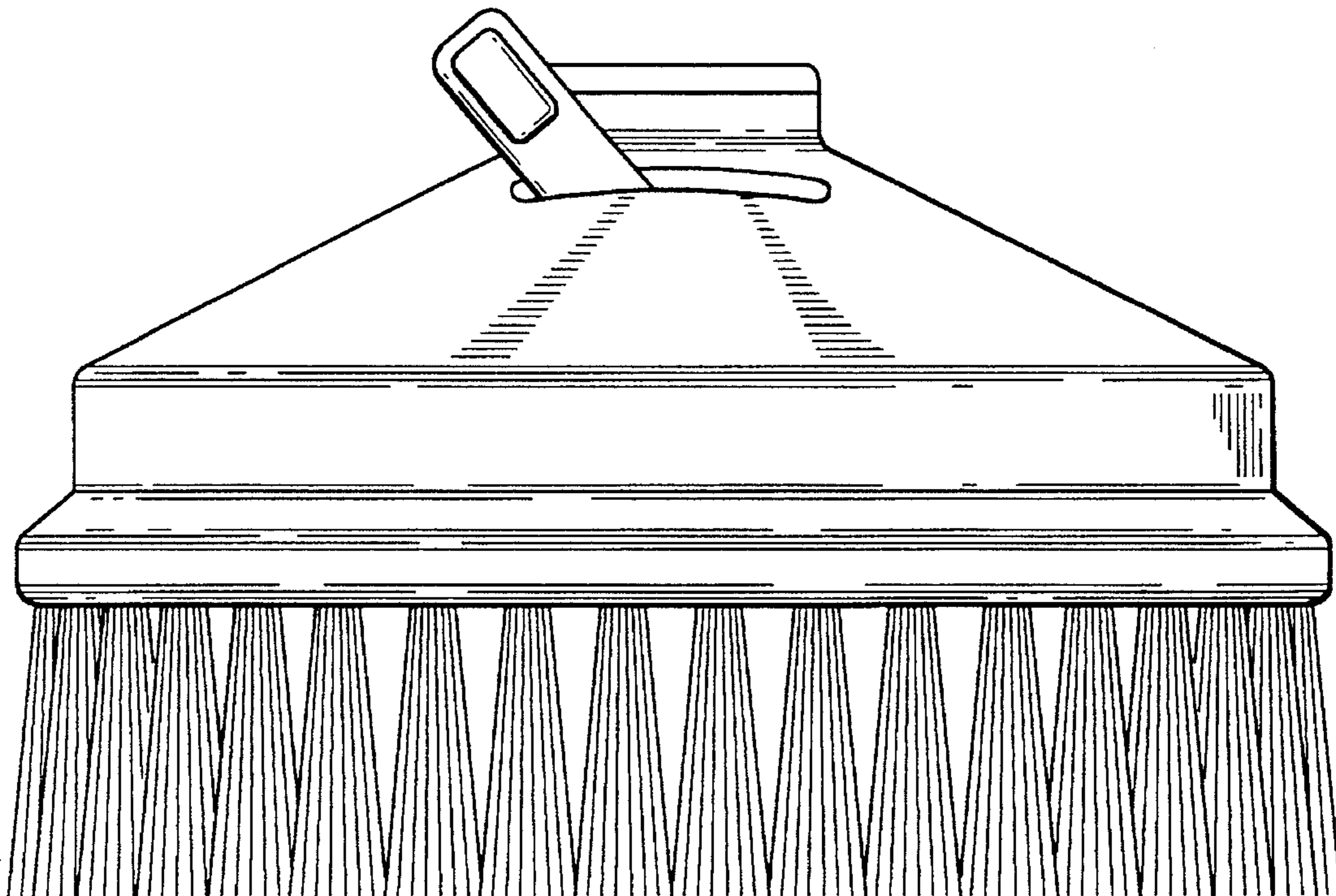


FIG. 6

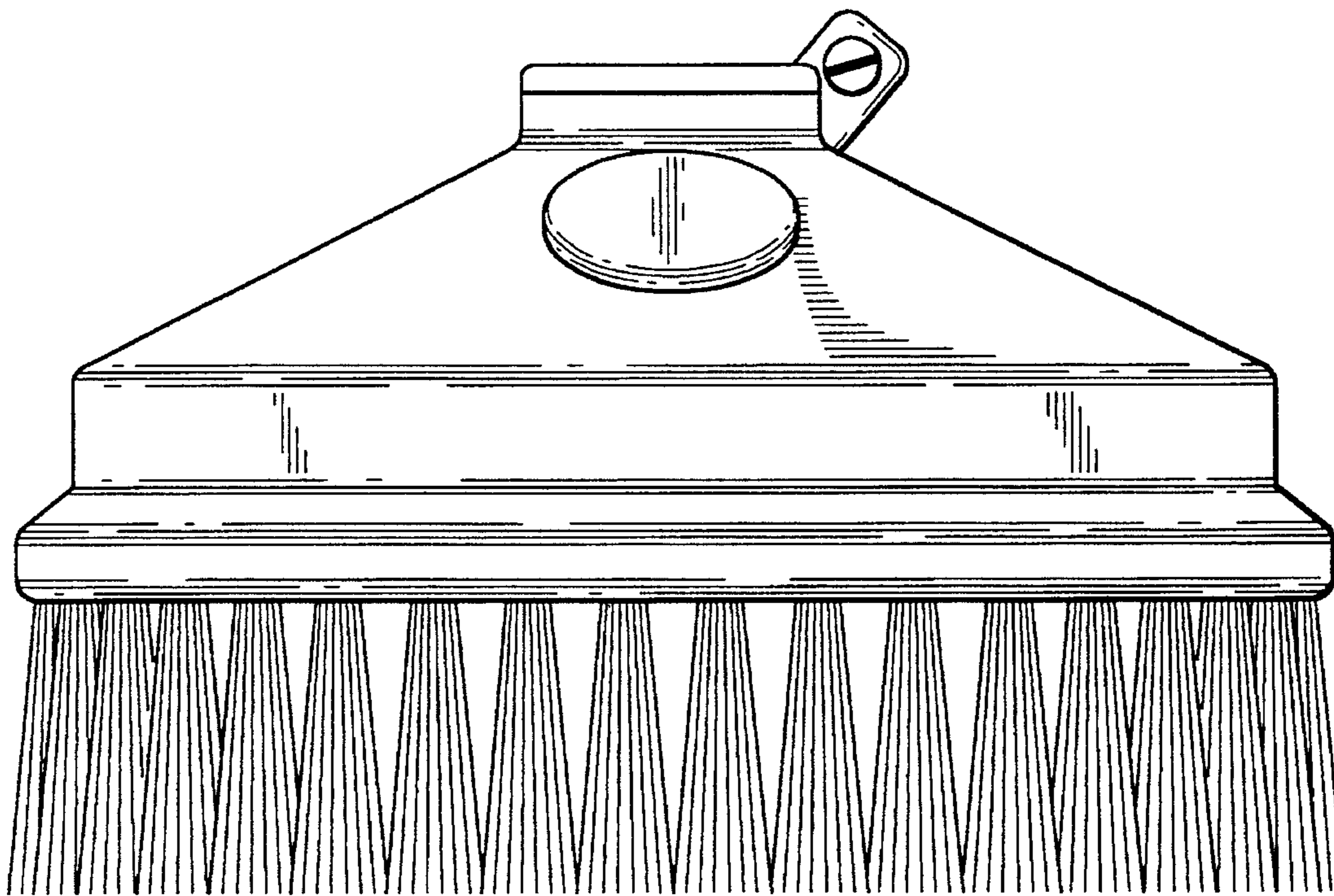


FIG. 7