



US00D370123S

United States Patent [19] Klinger

[11] Patent Number: **Des. 370,123**

[45] Date of Patent: ****May 28, 1996**

[54] CARRYING CASE

[75] Inventor: **Paul D. Klinger**, Westminster, Colo.

[73] Assignee: **Schwinn Cycling & Fitness Inc.**,
Boulder, Colo.

[**] Term: **14 Years**

[21] Appl. No.: **30,579**

[22] Filed: **Nov. 2, 1994**

[52] U.S. Cl. **D3/301; D3/231; D3/283;**
D3/287

[58] Field of Search **D3/301, 287, 269,**
D3/900, 231, 283; D12/409, 158; 224/207,
30, 31, 32, 35; 190/110; 206/315.1, 287,
287.1

[56] **References Cited**

U.S. PATENT DOCUMENTS

D. 292,847	11/1987	Barker	D3/231
D. 307,733	5/1990	Kushitani	D12/409
D. 308,602	6/1990	St. Pierre	D3/269
D. 324,136	2/1992	Lee	D3/231
D. 325,469	4/1992	Kim	D12/409
D. 344,184	2/1994	Barker	D3/231
4,577,786	3/1986	Dowrick et al.	224/32 A
4,609,084	9/1986	Thomas	224/31
5,234,143	8/1993	Mahvi et al.	24/31

Primary Examiner—Philip S. Hyder
Attorney, Agent, or Firm—Jones, Day, Reavis & Pogue

[57] **CLAIM**

The ornamental design for a carrying case, as shown and described.

DESCRIPTION

FIG. 1 is a left side perspective view of a carrying case showing my new design;
 FIG. 2 is a right side perspective view thereof;
 FIG. 3 is a left side elevational view thereof;
 FIG. 4 is a right side elevational view thereof;
 FIG. 5 is a front elevational view thereof;
 FIG. 6 is a rear elevational view thereof;
 FIG. 7 is a bottom plan view thereof;
 FIG. 8 is a bottom left side perspective view thereof;
 FIG. 9 is a left side perspective view thereof, showing the lid in an open position;
 FIG. 10 is a left side perspective view thereof, showing the top and side pouches in expanded positions;
 FIG. 11 is a left side perspective view thereof, showing the top pouch in the expanded position and the side pouches and lid in open positions; and,
 FIG. 12 is a left side perspective view of a second embodiment thereof.

1 Claim, 5 Drawing Sheets

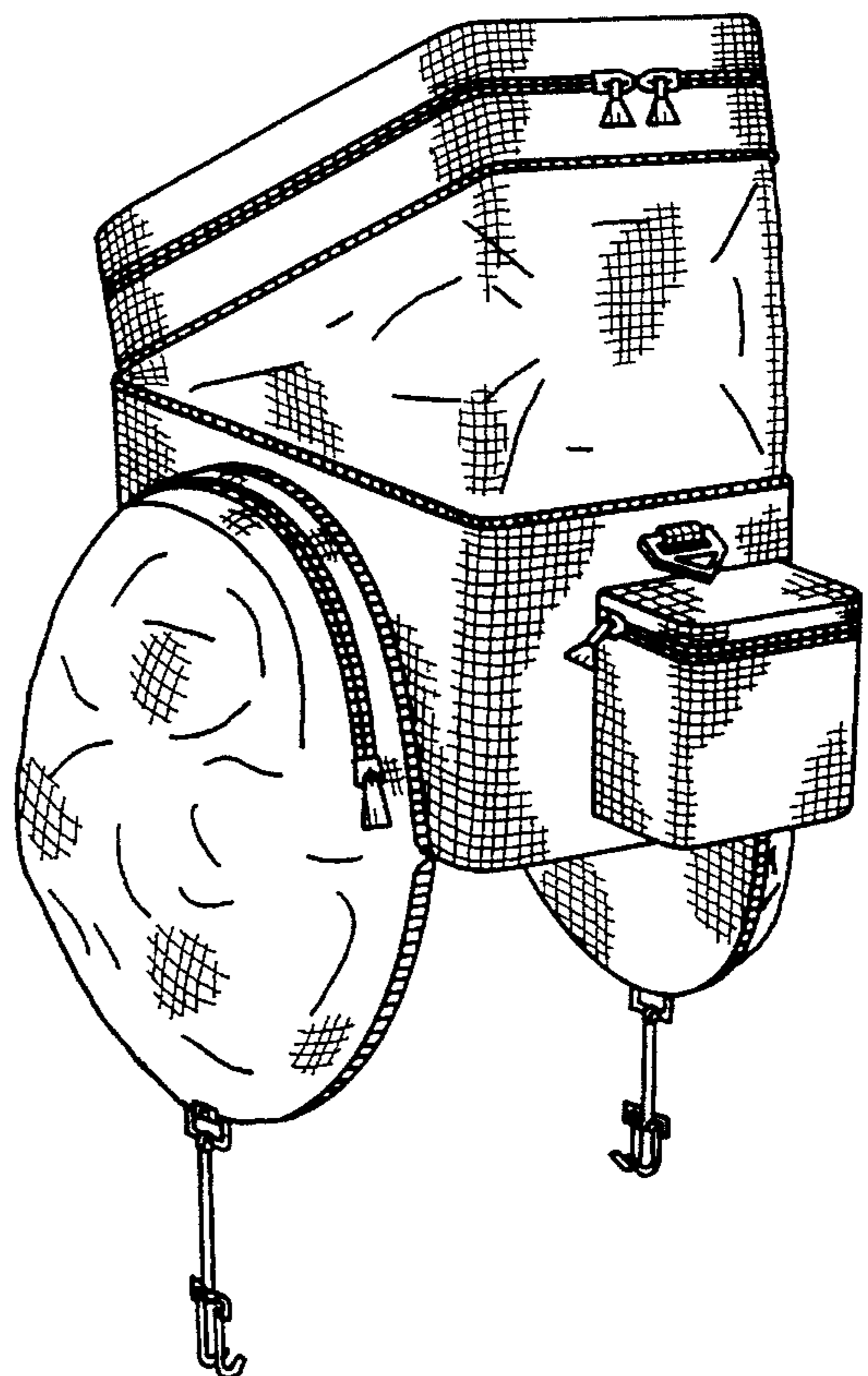
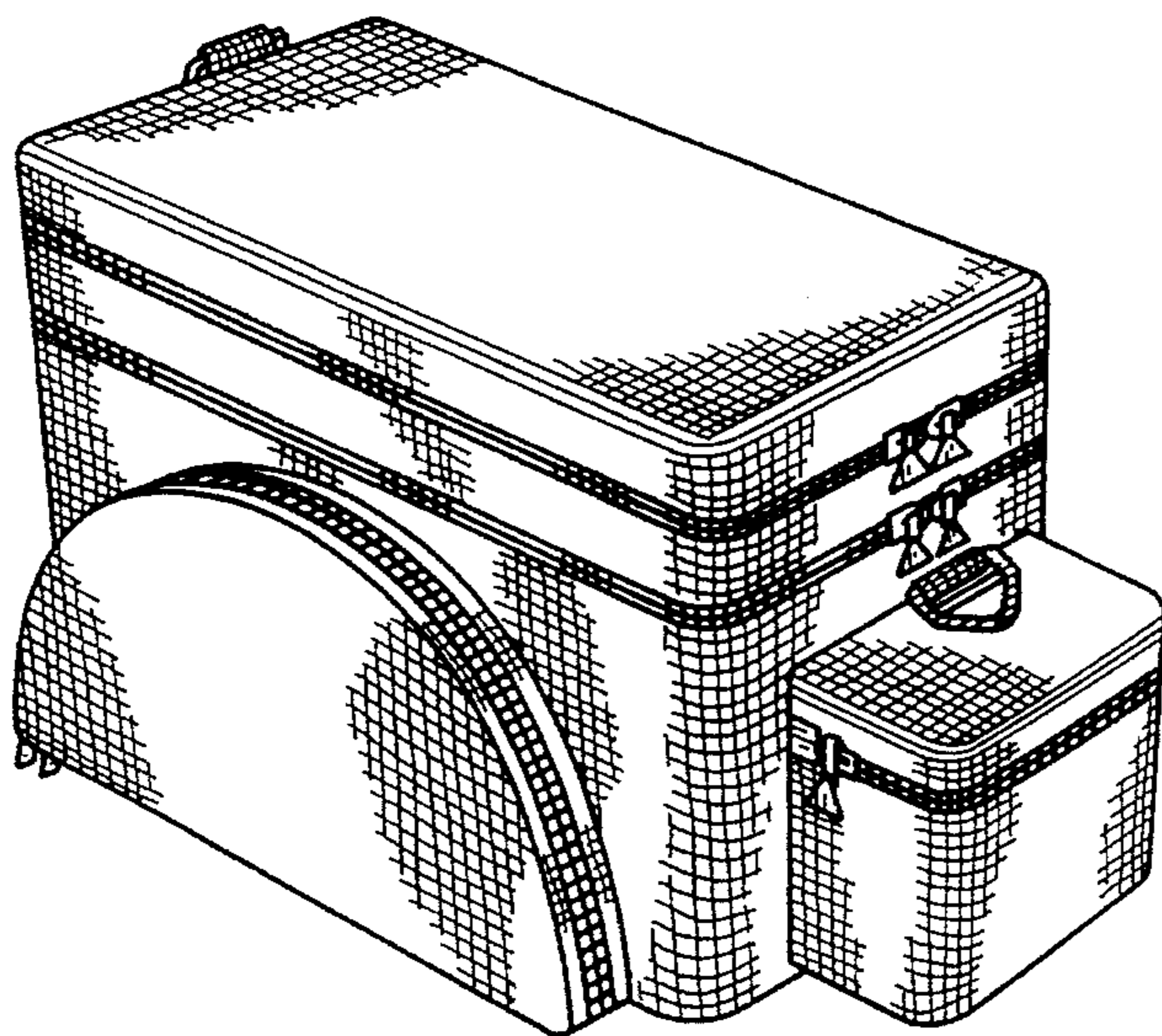


FIG. 1

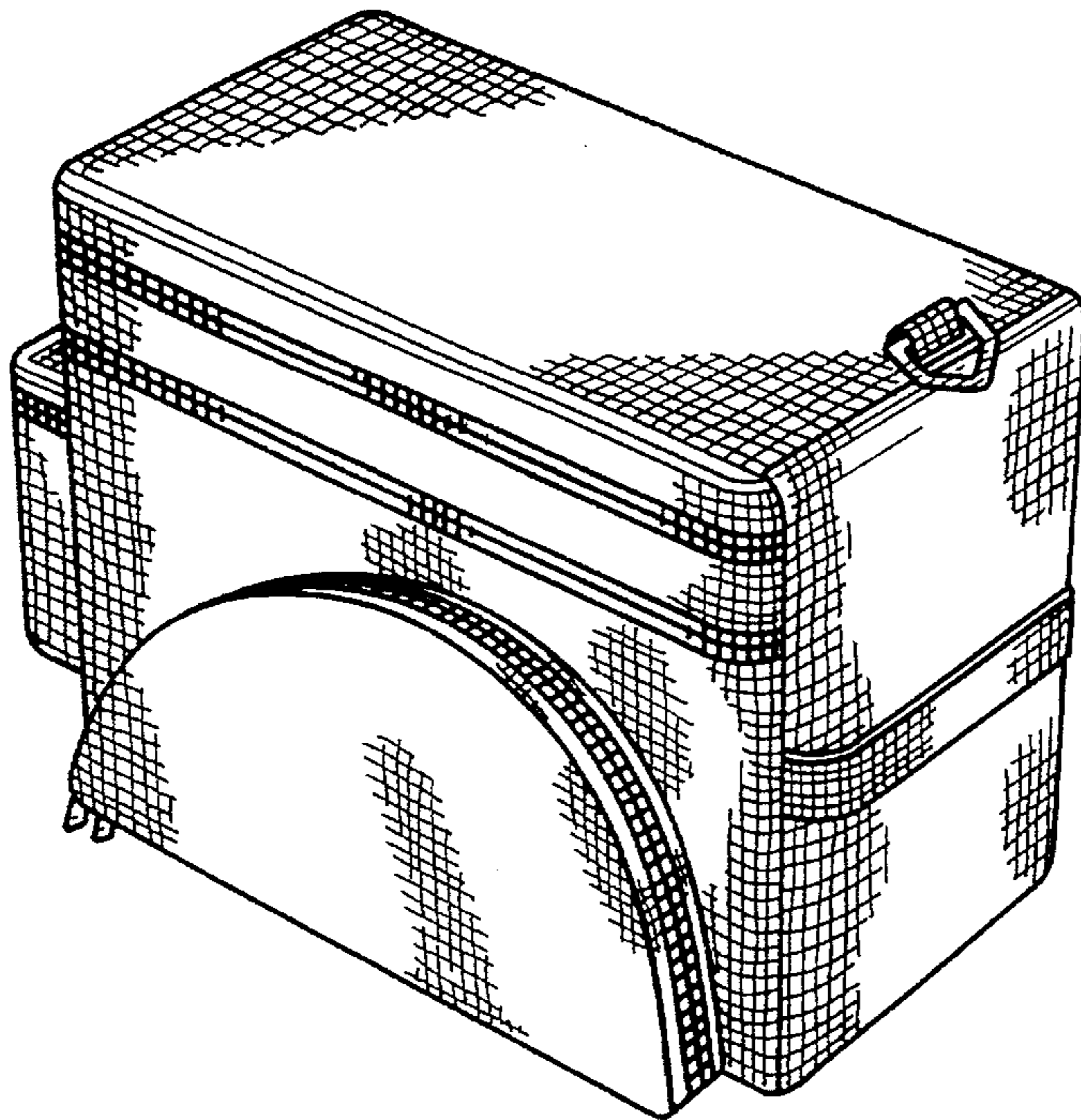
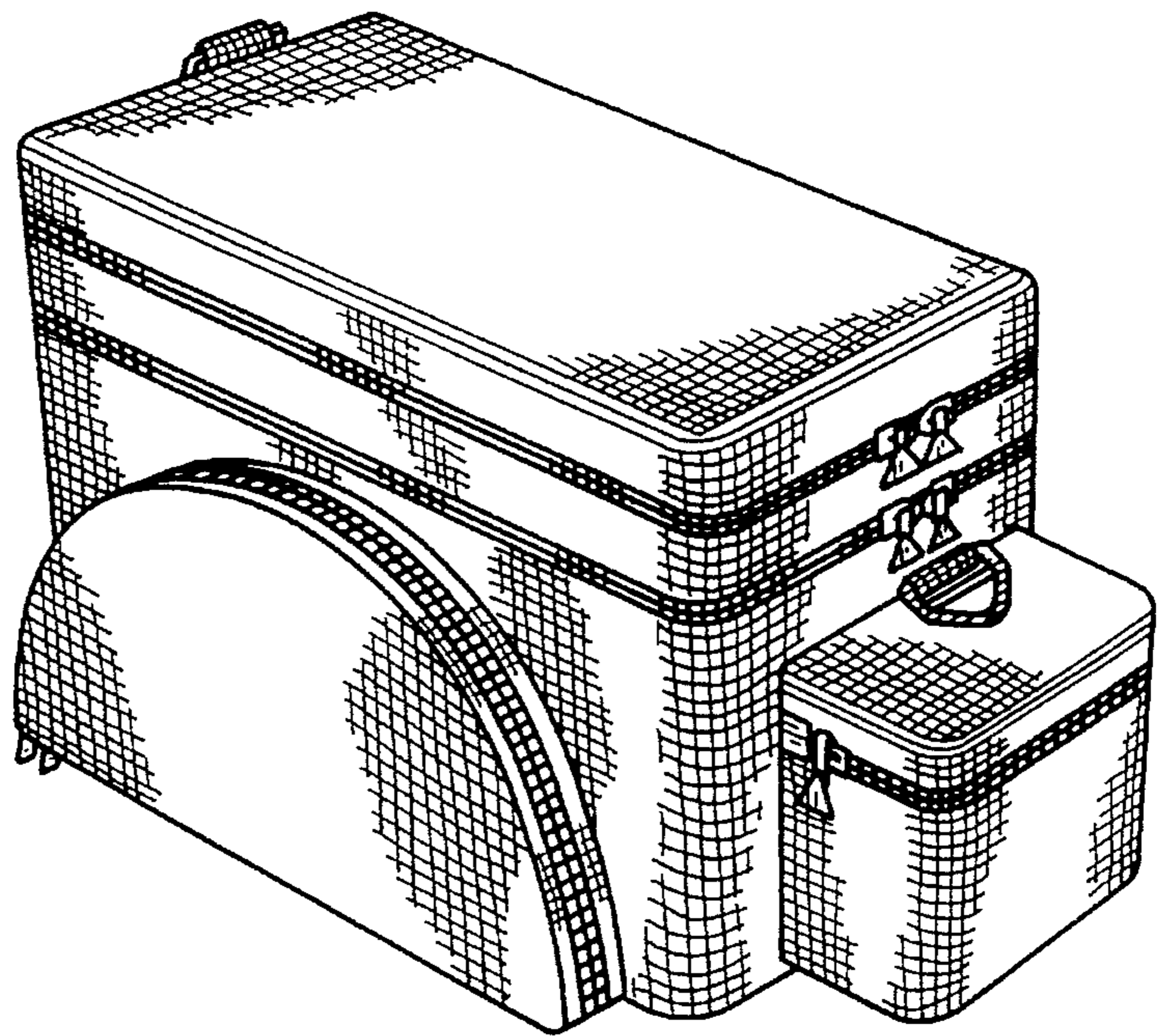
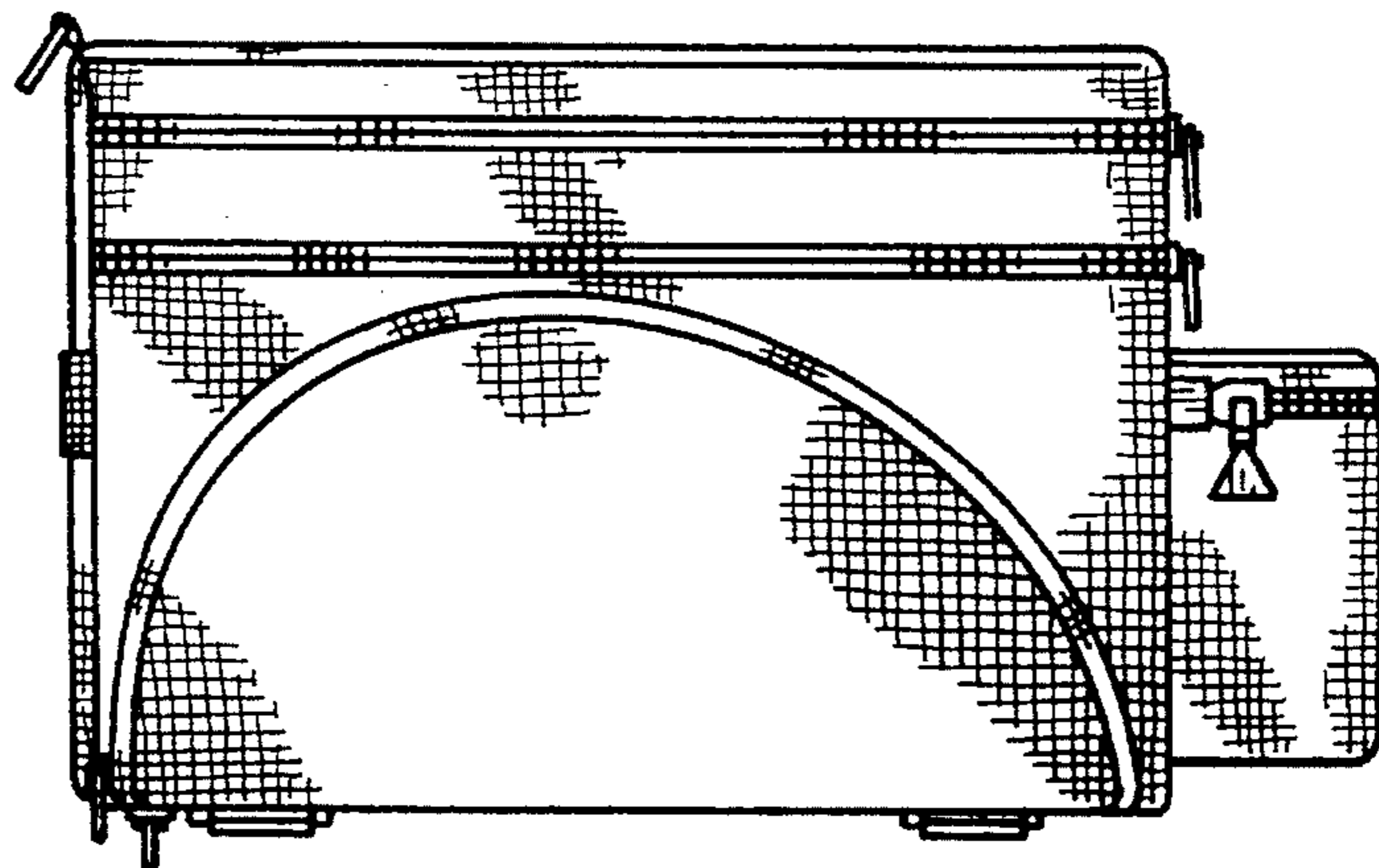


FIG. 2

FIG. 3



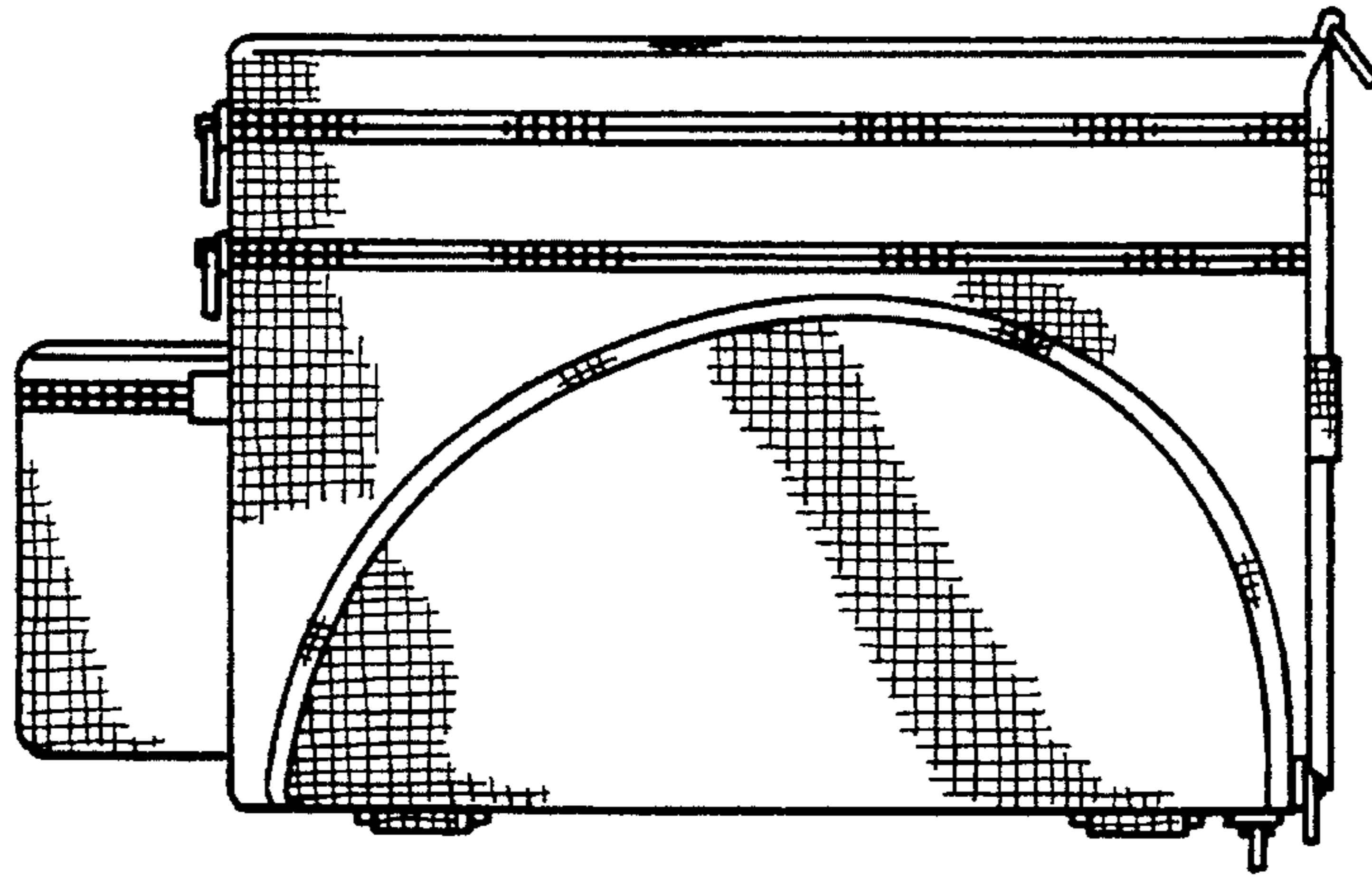


FIG. 4

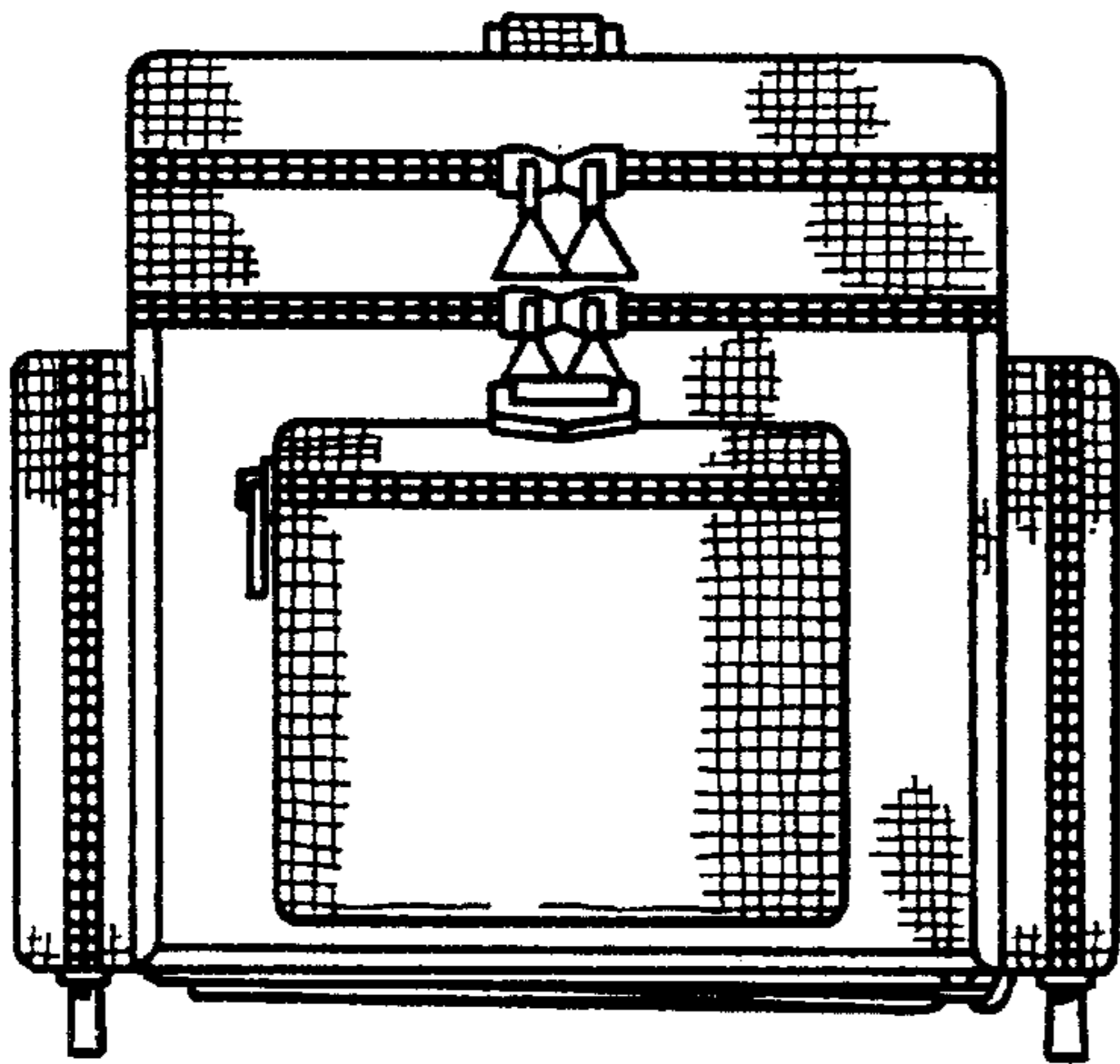


FIG. 5

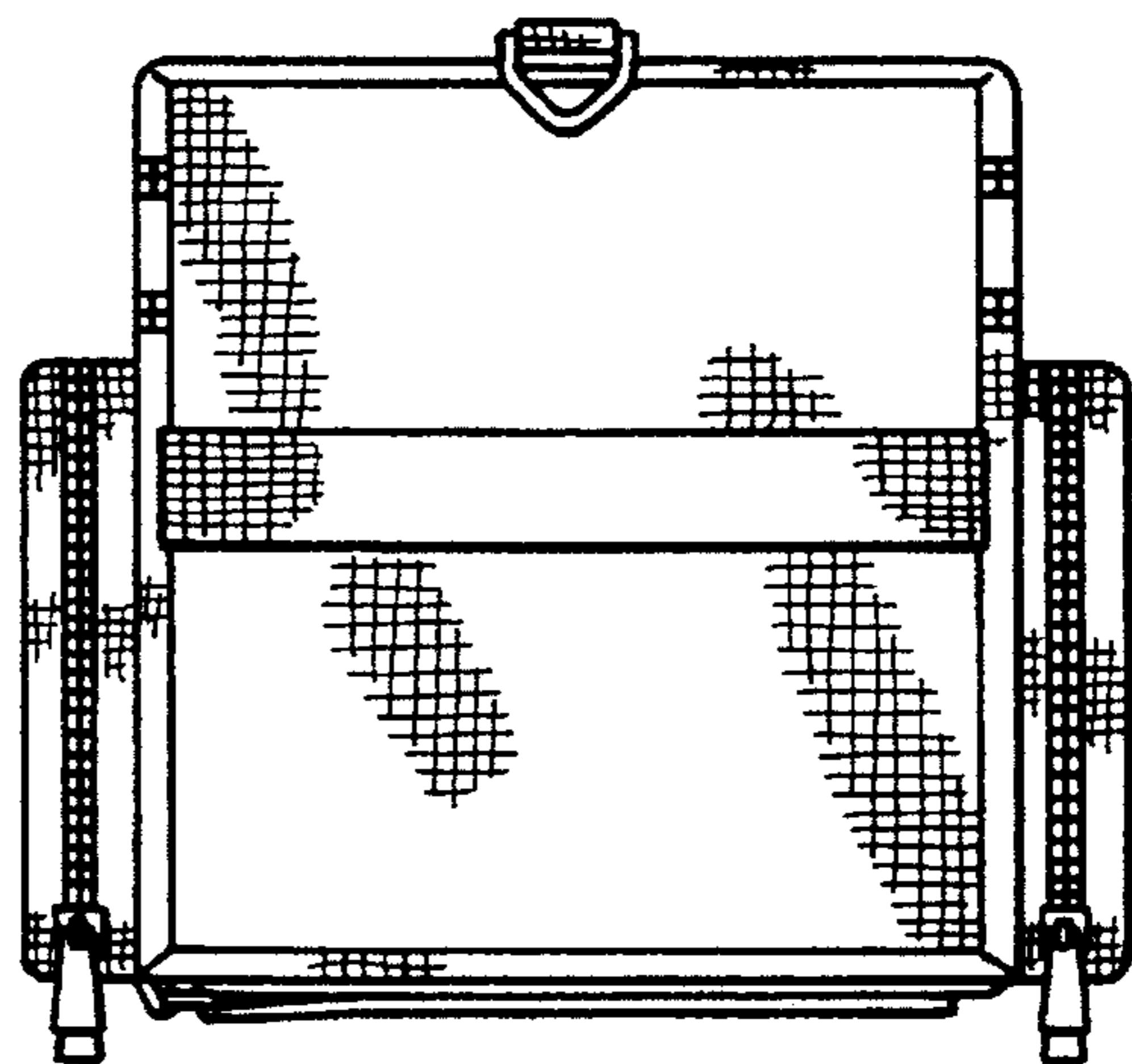


FIG. 6

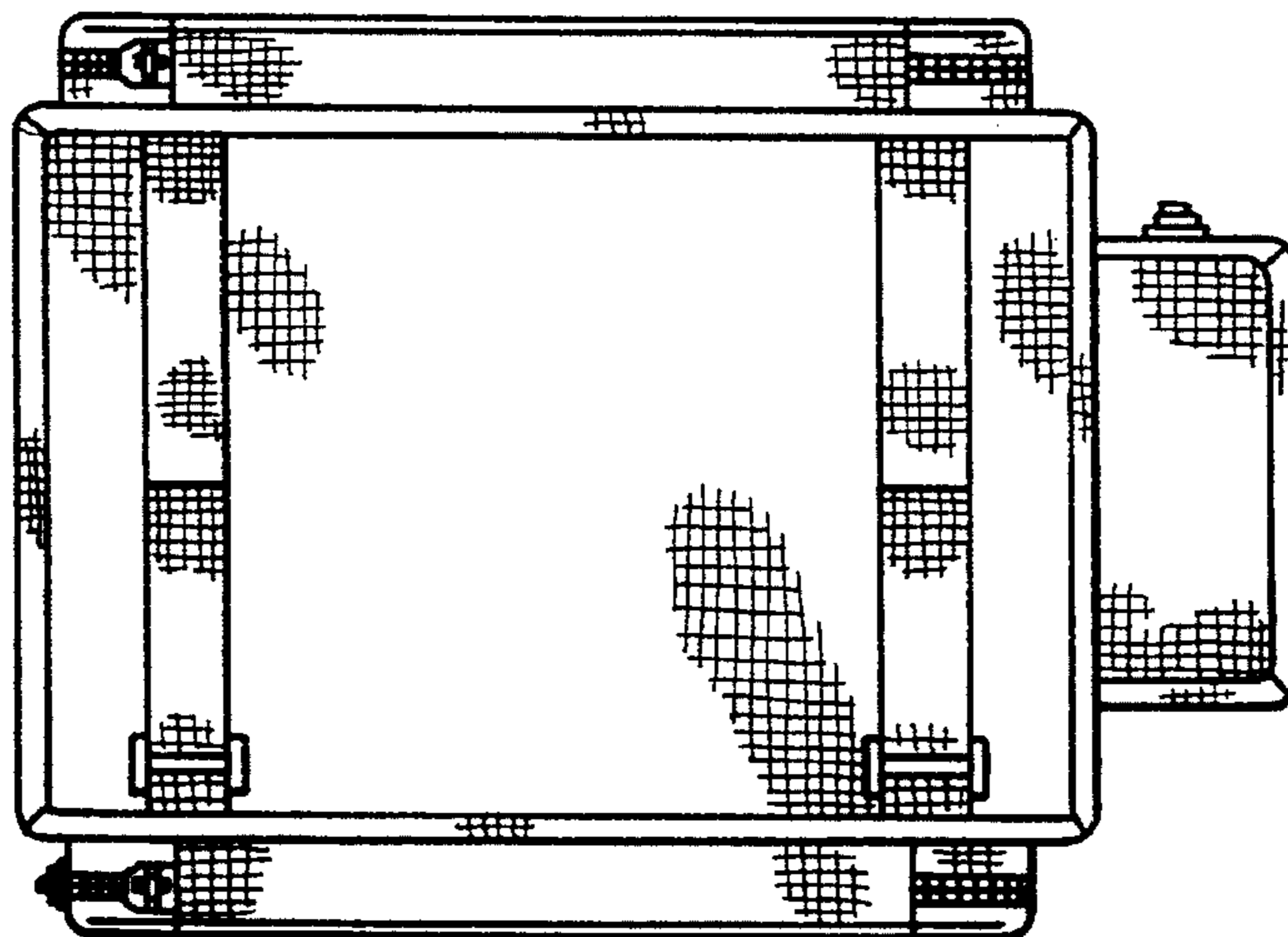


FIG. 7

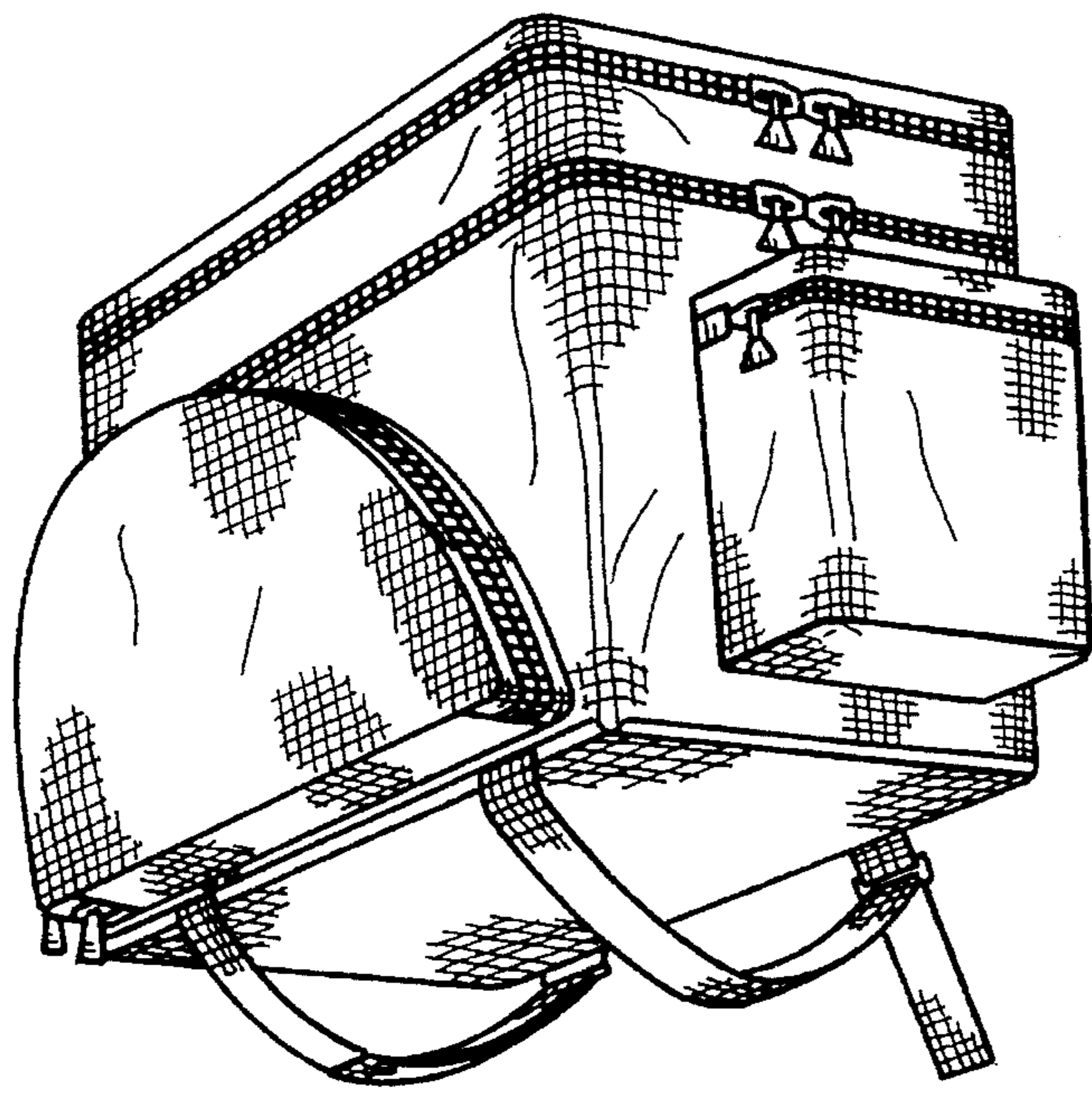


FIG. 8

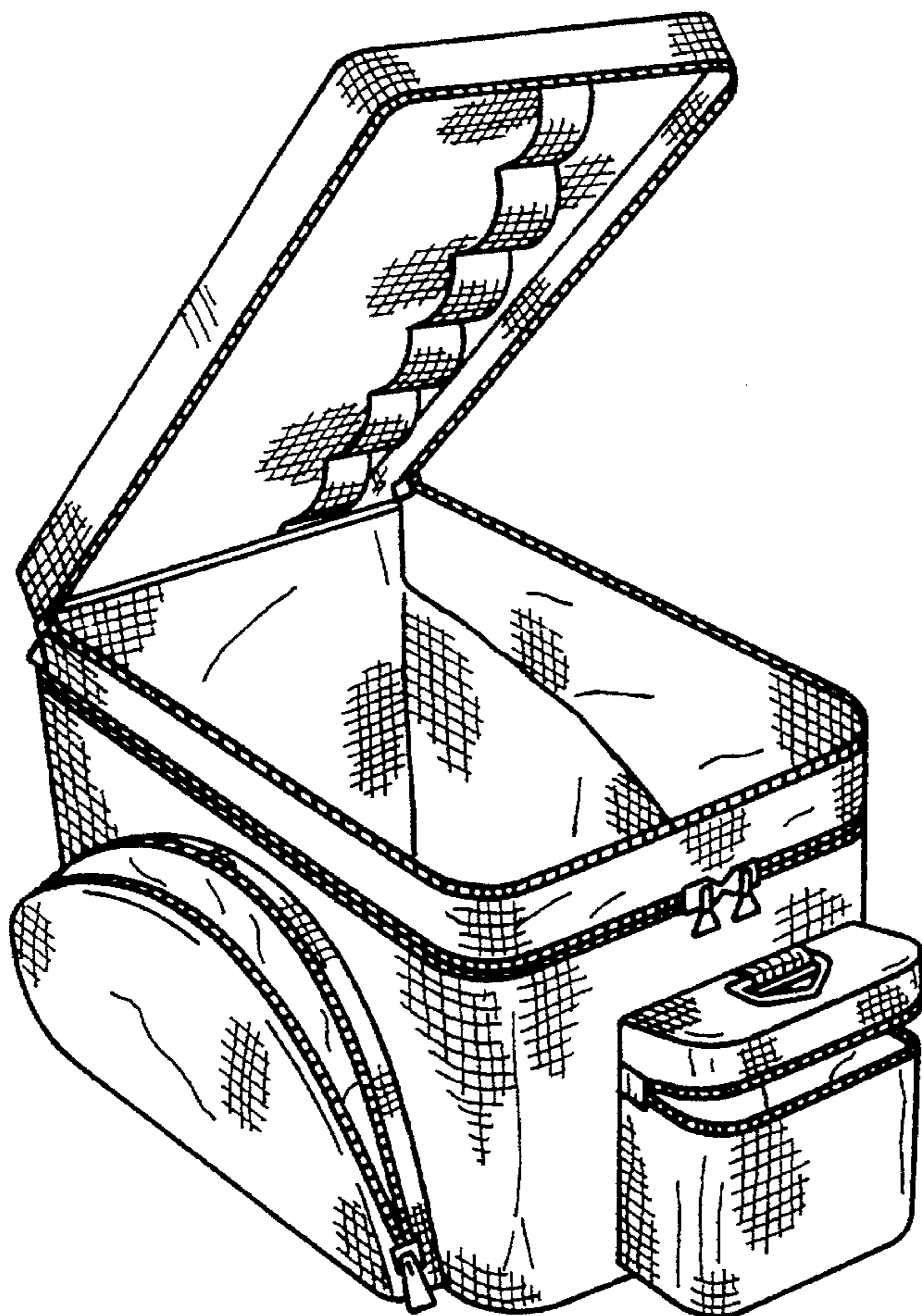


FIG. 9

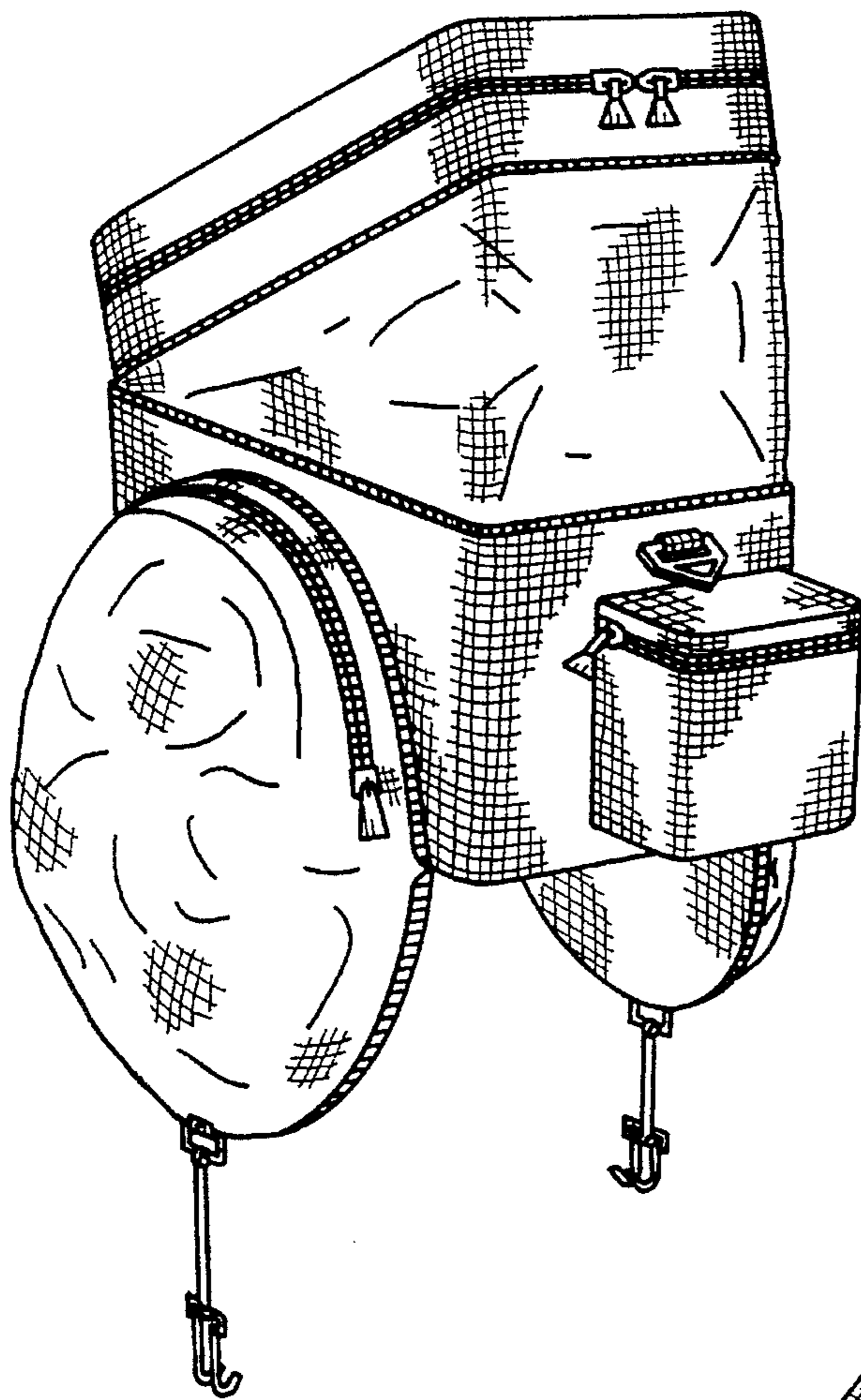


FIG. 10

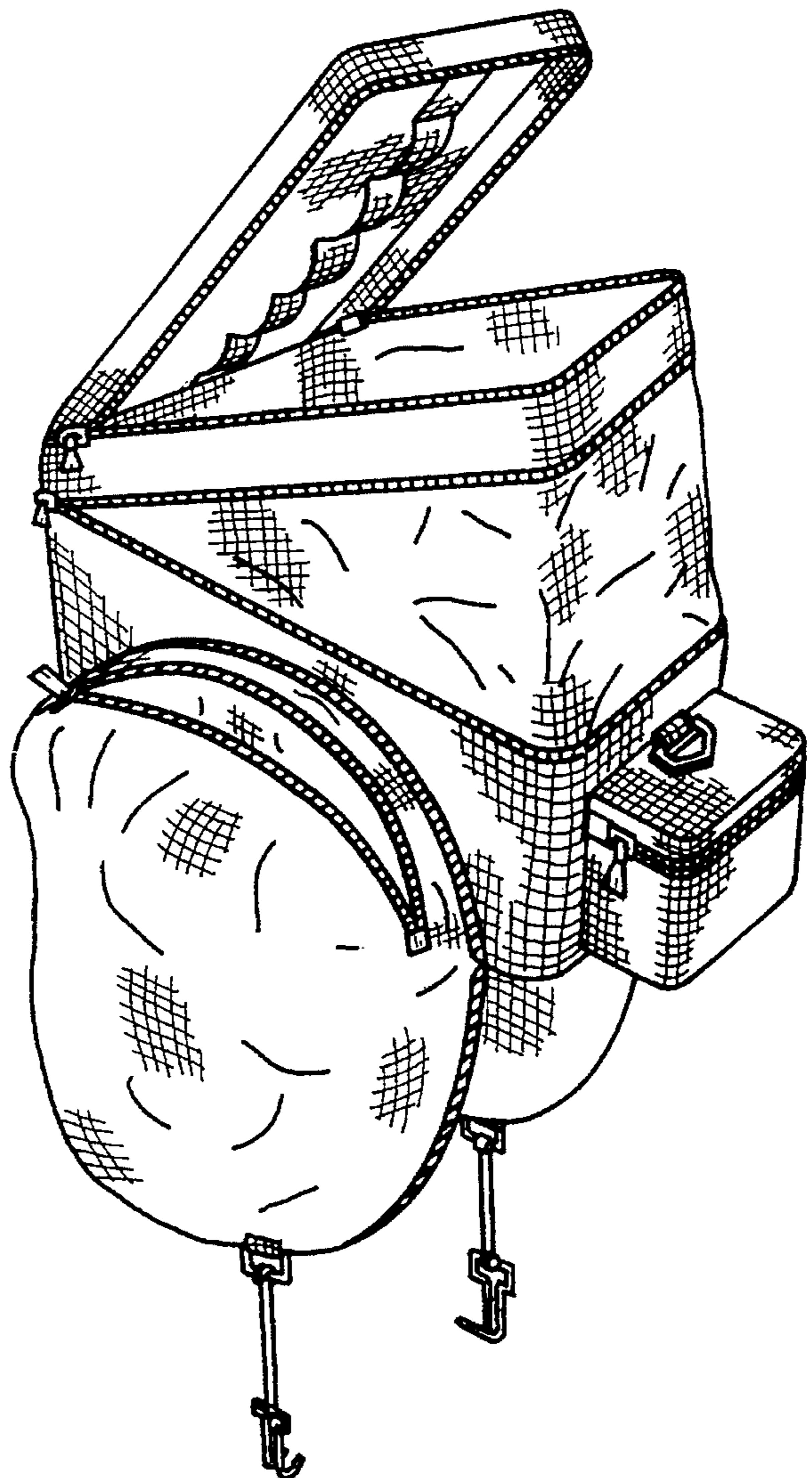


FIG. 11

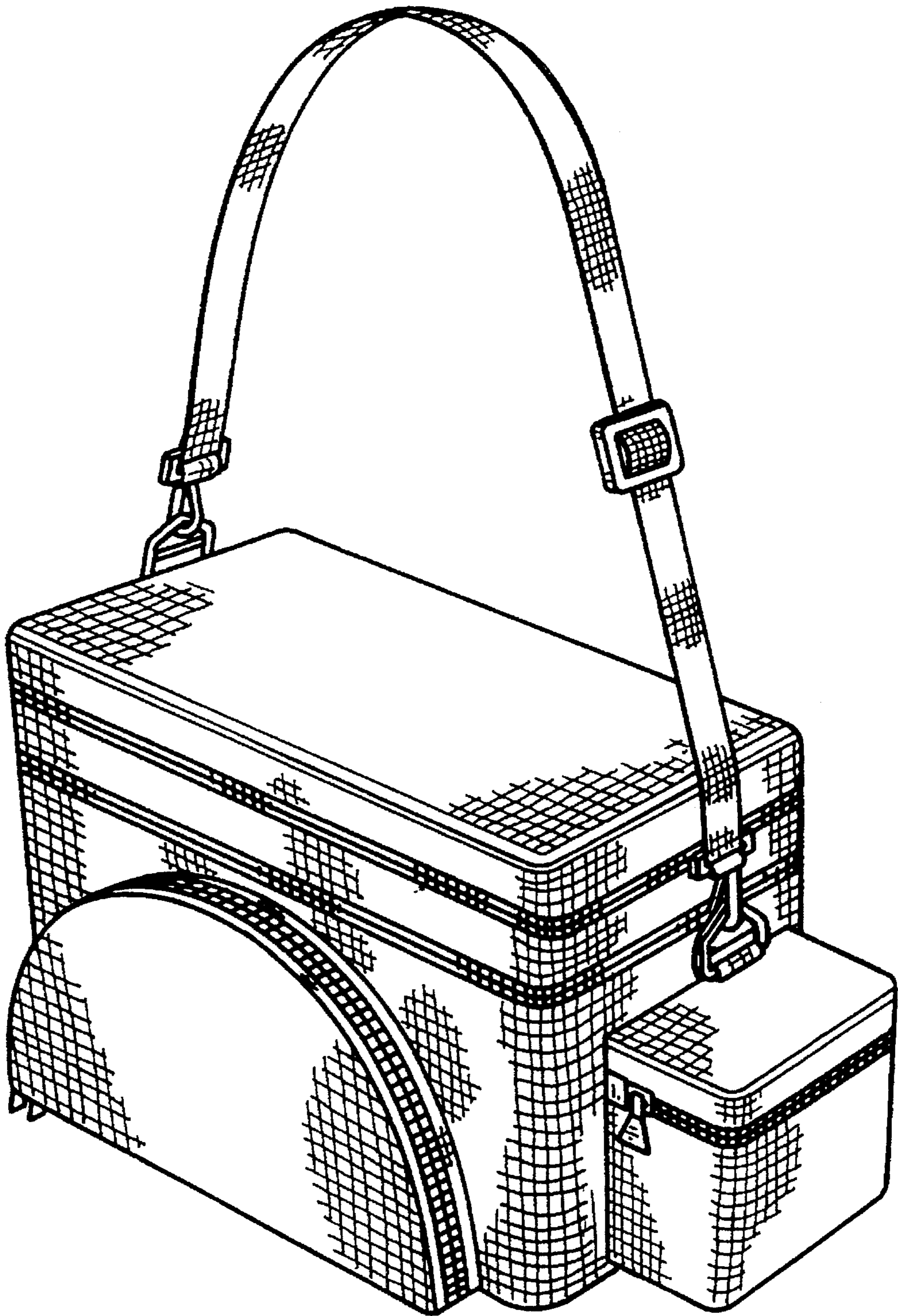


FIG. 12