



US00D370122S

United States Patent [19]
Caldwell

[11] **Patent Number: Des. 370,122**

[45] **Date of Patent: **May 28, 1996**

[54] **EGG RECEPTICAL**

[76] Inventor: **Alexander Caldwell**, Rte. 2, Box 442,
Maurice, La. 70555

[**] Term: **14 Years**

[21] Appl. No.: **33,296**

[22] Filed: **Jan. 9, 1995**

[52] U.S. Cl. **D3/271; D3/294; D3/903**

[58] **Field of Search** D3/271, 294, 269,
D3/270, 295; D7/503, 603, 604, 611; D9/307,
504; D23/367, 369

D. 240,829 8/1976 Jones et al. D23/369
D. 261,105 10/1981 Schwartz D9/504
D. 279,145 6/1985 Lippe D3/294
D. 317,044 5/1991 Thomson D23/367
D. 342,188 12/1993 Chen D7/503

Primary Examiner—Philip S. Hyder
Attorney, Agent, or Firm—Robert N. Montgomery

[57] **CLAIM**

The ornamental design for an egg receptical, as shown and described.

DESCRIPTION

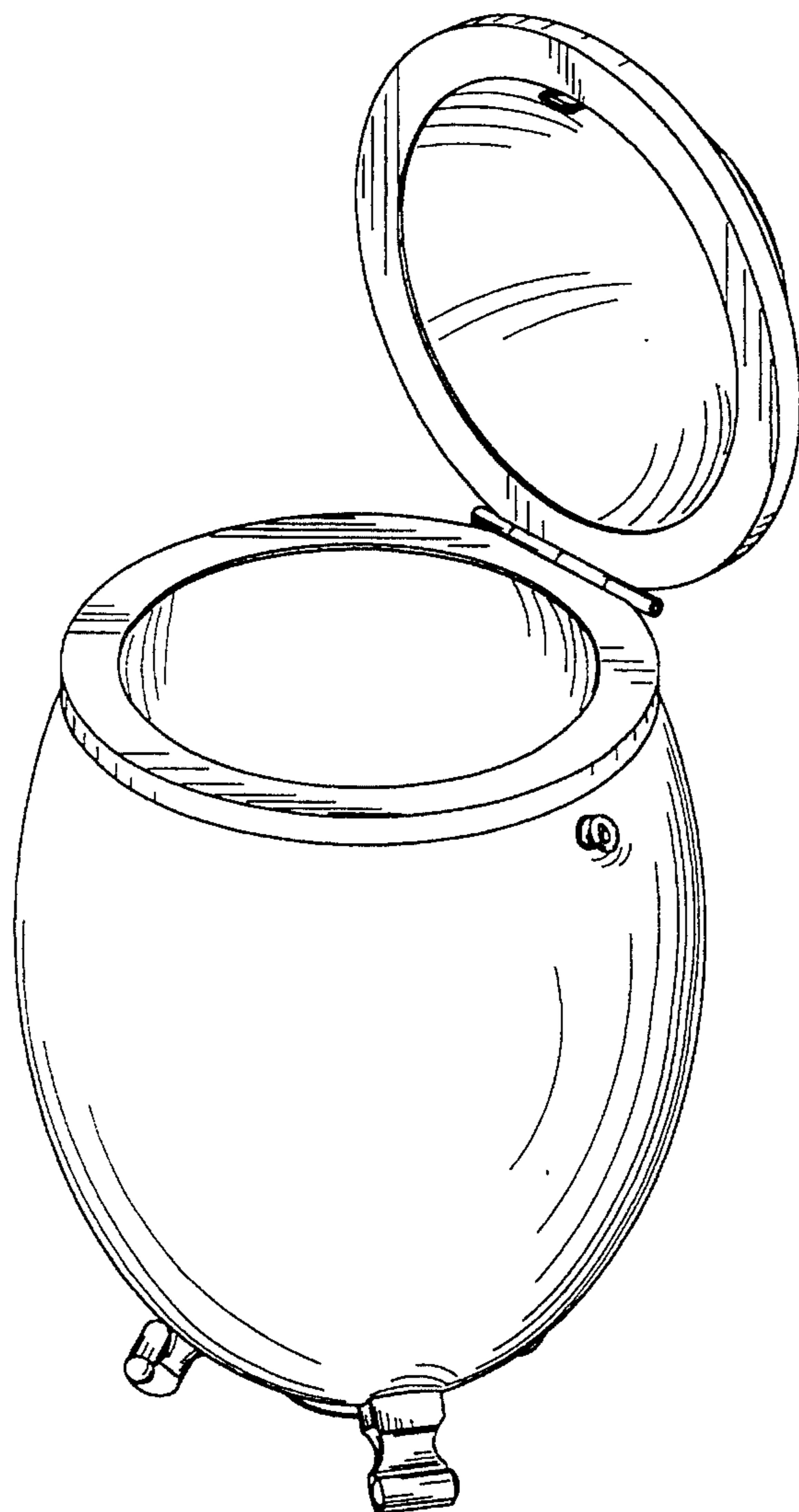
FIG. 1 is an isometric view of the egg receptical;
FIG. 2 is an isometric view of the egg receptical with the lid in the raised position;
FIG. 3 is a top view of the egg receptical with lid closed;
FIG. 4 is a front elevation view of the egg receptical;
FIG. 5 is a bottom view of the egg receptical; and,
FIG. 6 is a side elevation of the egg receptical.

[56] **References Cited**

U.S. PATENT DOCUMENTS

D. 56,210 8/1920 Vivaudou D3/294
D. 56,211 8/1920 Vivaudou D3/294
D. 91,542 2/1934 Reiser D7/503
D. 147,994 11/1947 Siessmayr D7/503
D. 184,113 12/1958 Reilly D3/271
D. 223,692 5/1972 Jaffe D3/294

1 Claim, 2 Drawing Sheets



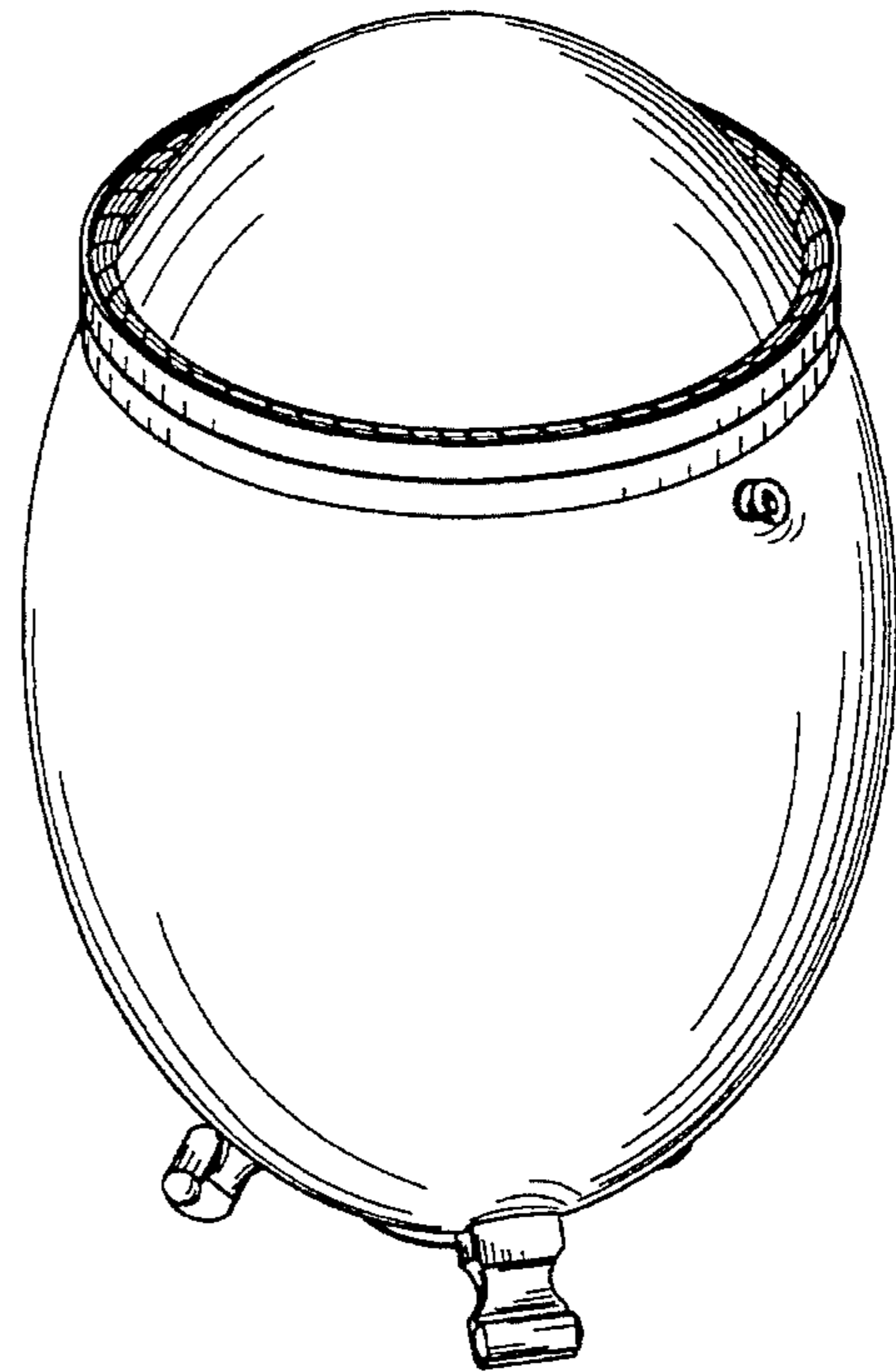


Fig. 1

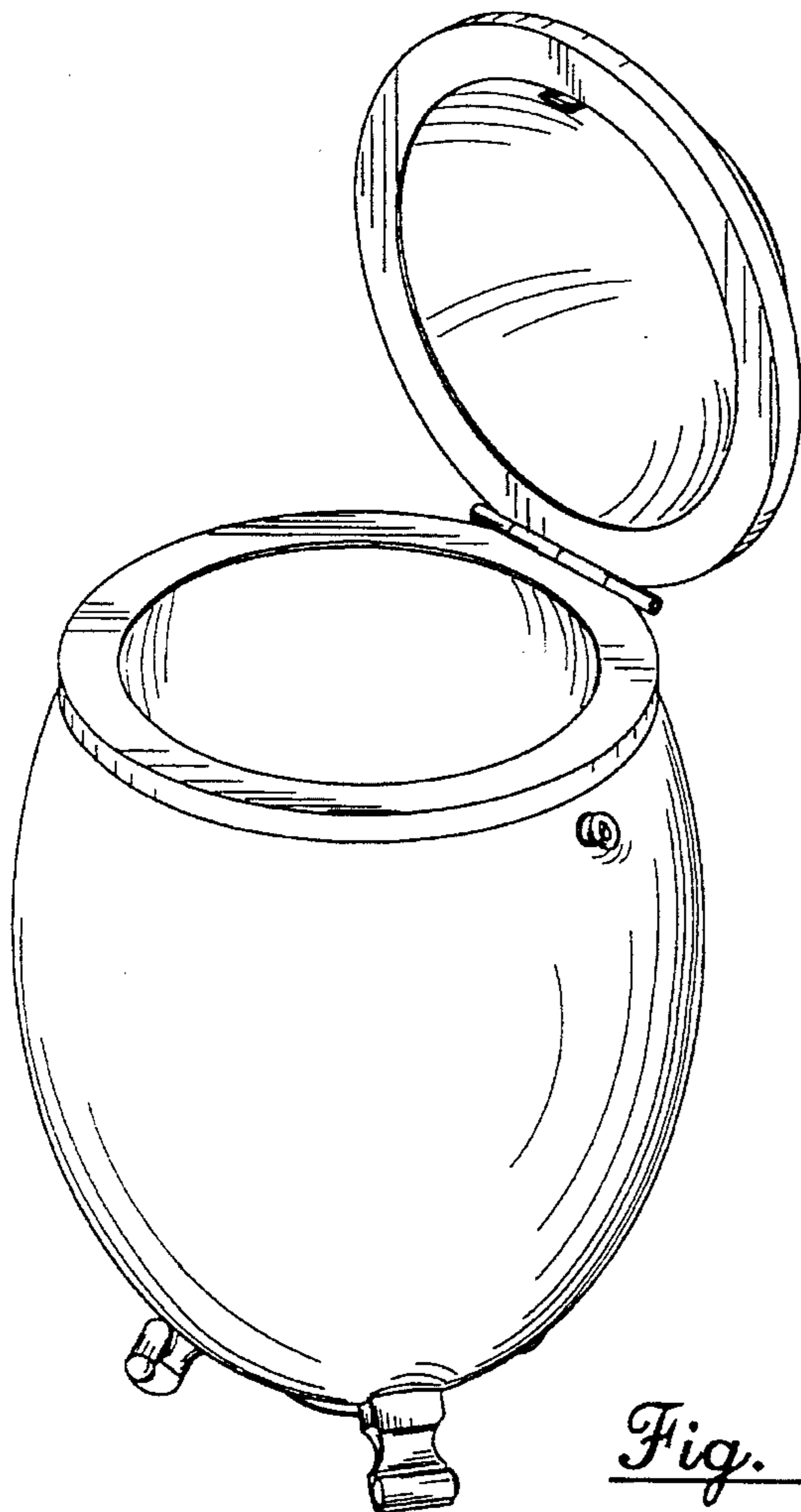


Fig. 2

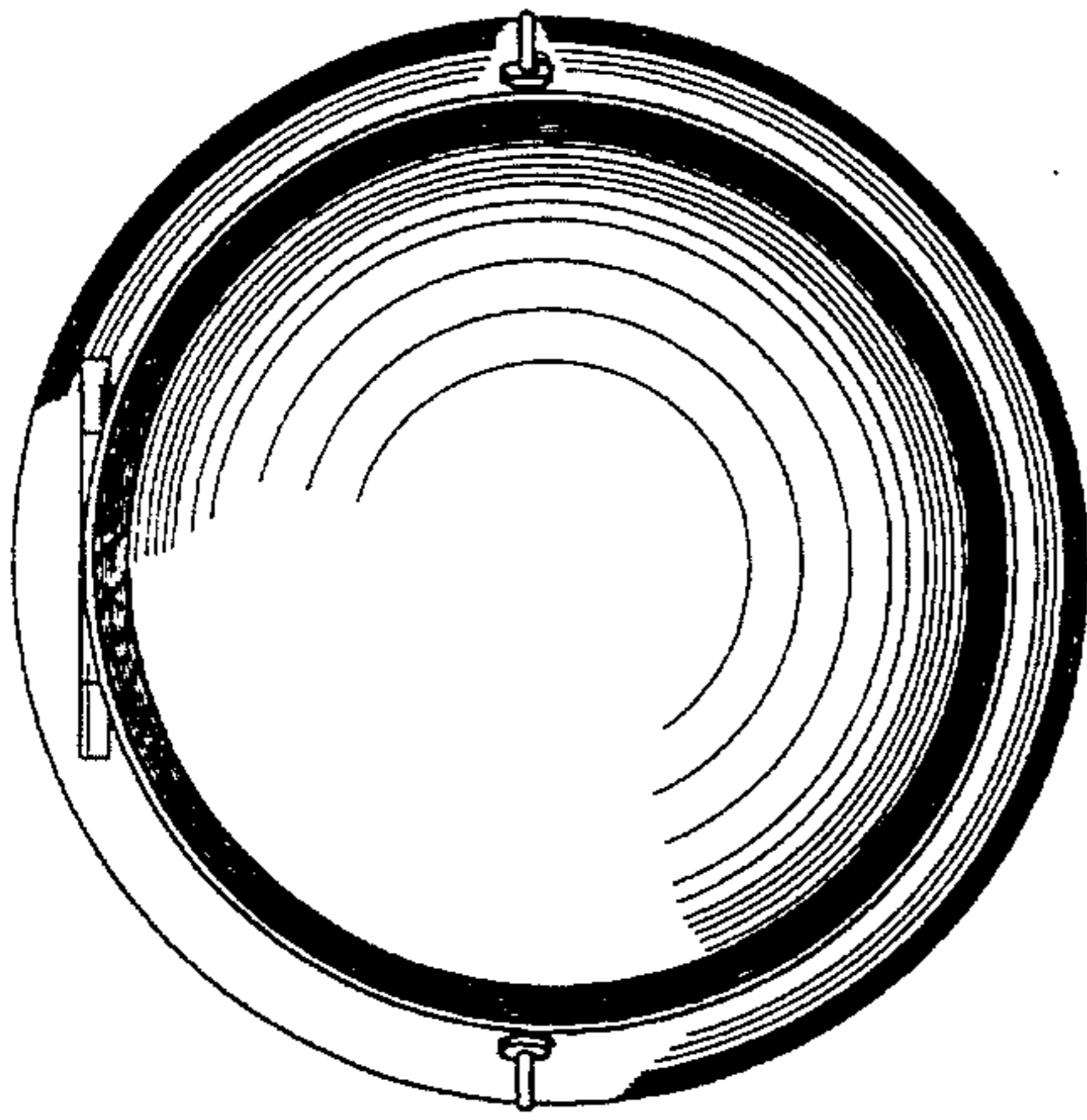


Fig. 3

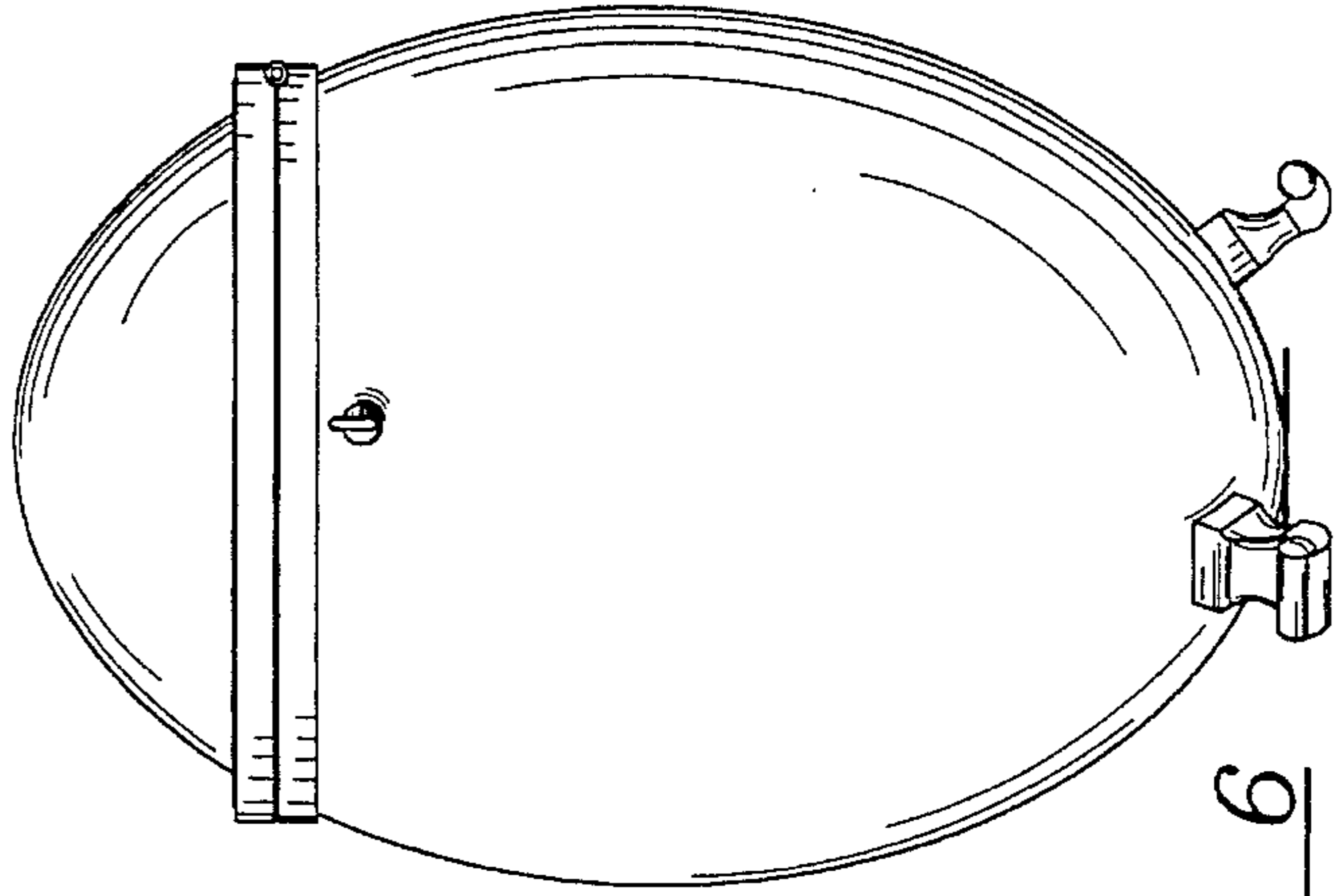


Fig. 6

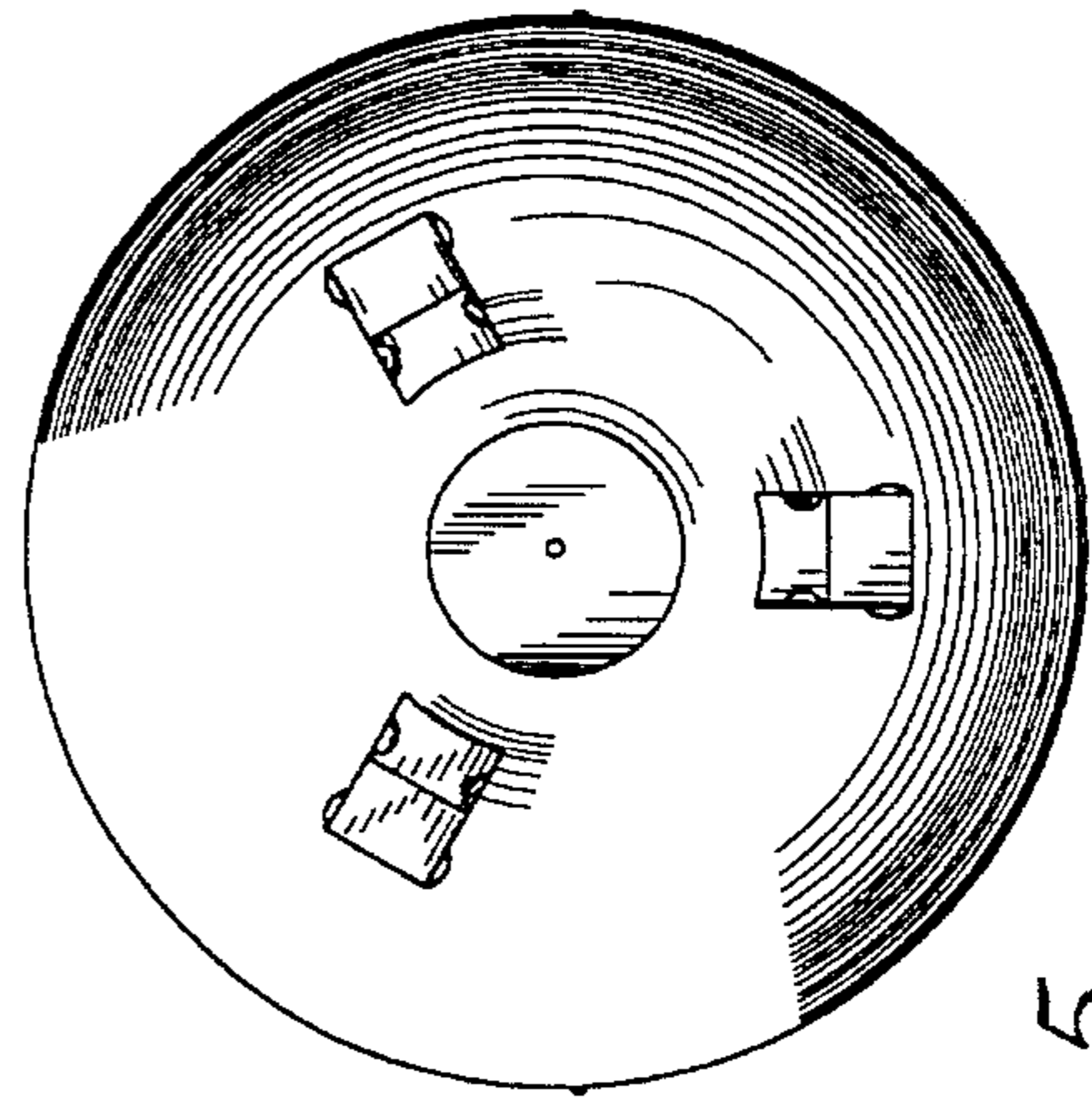


Fig. 5

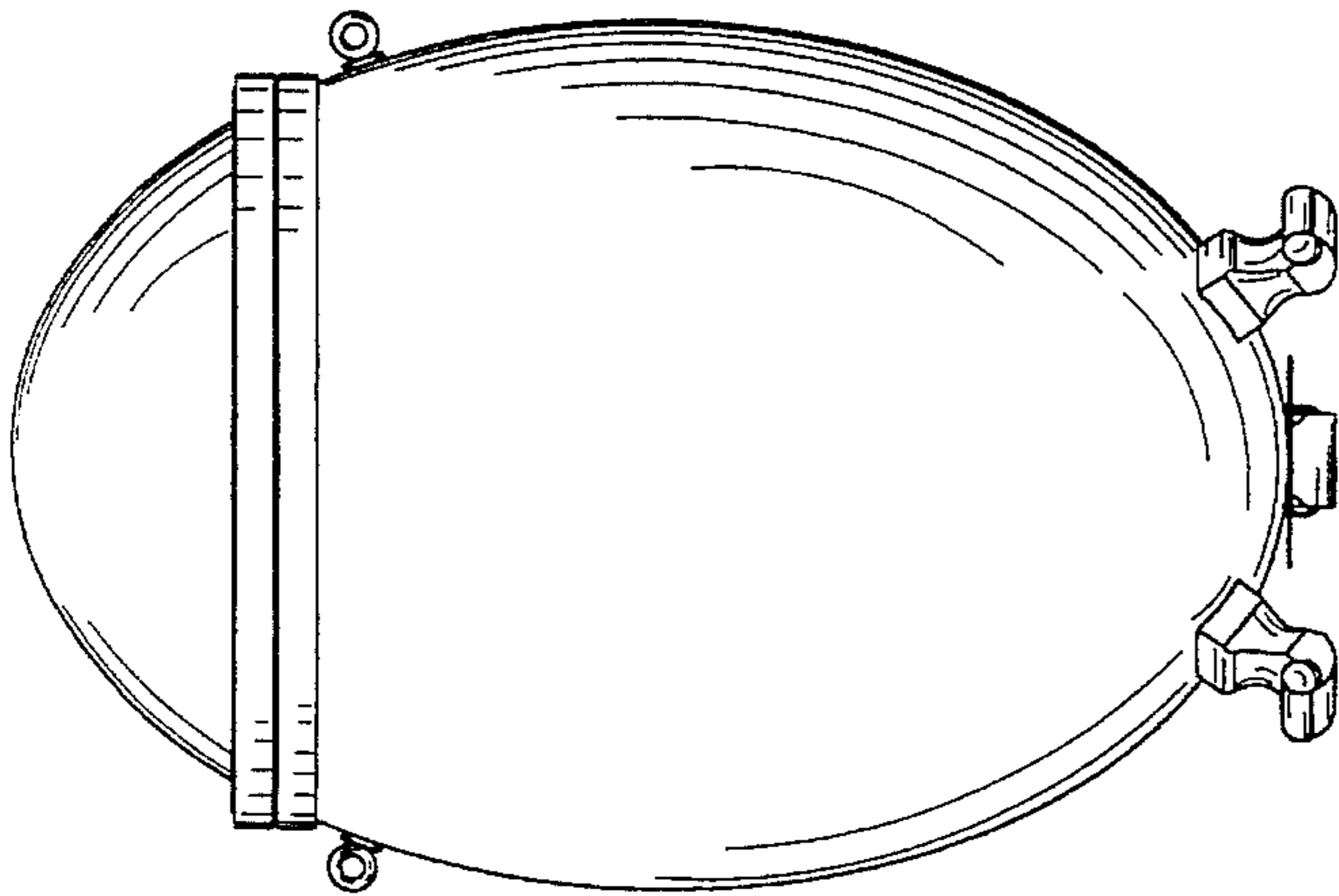


Fig. 4