



US00D370120S

**United States Patent** [19]  
**Teraoka**

[11] **Patent Number: Des. 370,120**

[45] **Date of Patent: \*\*May 28, 1996**

[54] **KNIFE SHEATH HIP EXTENDER**

3,307,756 3/1967 Brunosson et al. .... 224/246 X  
3,533,540 10/1970 Carinci ..... D3/220 X

[76] Inventor: **Charles Teraoka**, 5112 N. Muscatel Ave., San Gabriel, Calif. 91776

*Primary Examiner*—Louis S. Zarfes  
*Assistant Examiner*—Catherine R. Oliver  
*Attorney, Agent, or Firm*—Harpman & Harpman

[\*\*] Term: **14 Years**

[57] **CLAIM**

[21] Appl. No.: **27,427**

The ornamental design for a knife sheath hip extender, as shown and described.

[22] Filed: **Aug. 22, 1994**

[52] **U.S. Cl.** ..... **D3/220**

[58] **Field of Search** ..... D3/220, 223, 228,  
D3/215; 224/191, 232, 234, 240, 163; 206/349,  
810; 30/151; D2/625, 627

**DESCRIPTION**

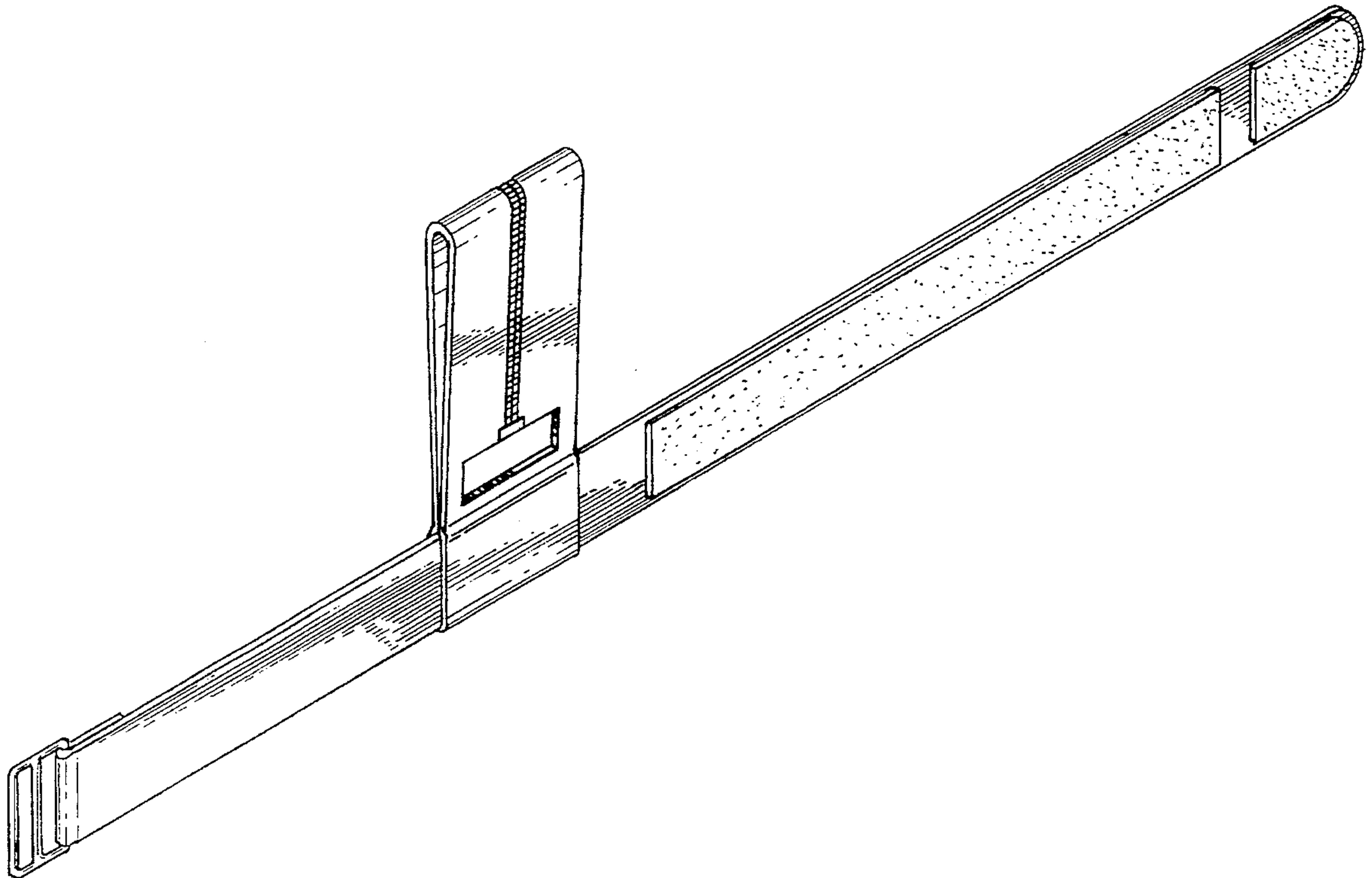
FIG. 1 is a front, top and side perspective view of the embodying the design of the present invention;  
FIG. 2 is a front elevational view thereof;  
FIG. 3 is a rear elevational view thereof;  
FIG. 4 is a right side elevational view thereof;  
FIG. 5 is a left side elevational view thereof;  
FIG. 6 is a top plan view thereof; and,  
FIG. 7 is a bottom view thereof.

[56] **References Cited**

**U.S. PATENT DOCUMENTS**

|            |         |          |       |          |
|------------|---------|----------|-------|----------|
| D. 133,851 | 9/1942  | Ehrsam   | ..... | D3/220   |
| D. 133,985 | 10/1942 | Ehrsam   | ..... | D3/220   |
| D. 339,689 | 9/1993  | Andolina | ..... | D3/220 X |
| 675,252    | 5/1901  | Simmons  | ..... | 224/232  |
| 1,088,406  | 2/1914  | Davis    | ..... | 224/246  |

**1 Claim, 3 Drawing Sheets**



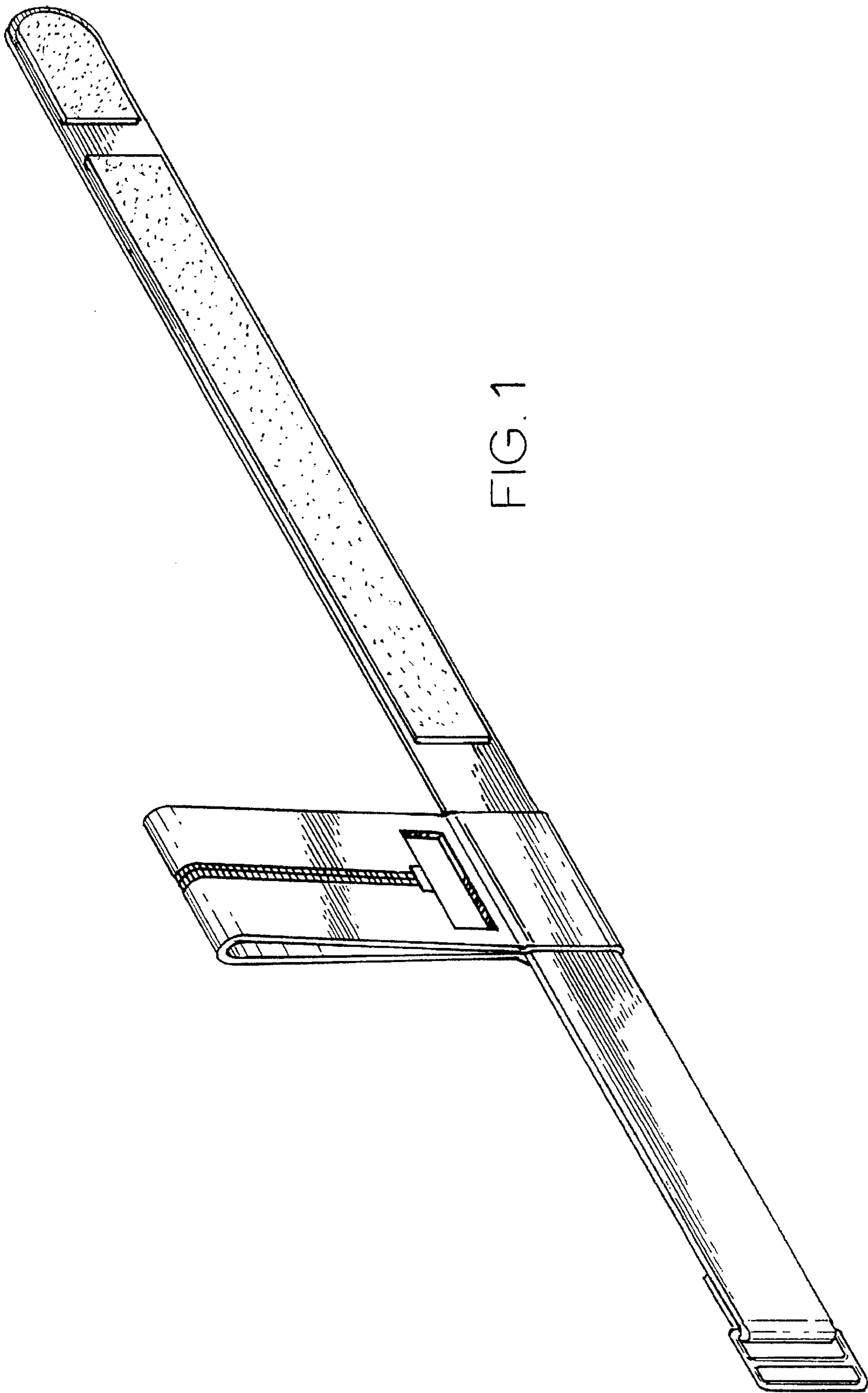


FIG. 1

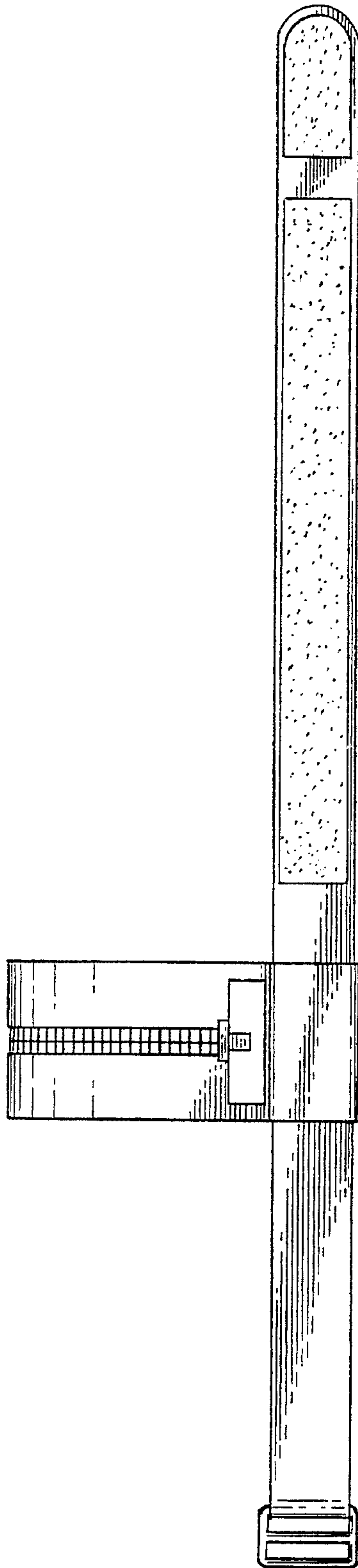


FIG. 2

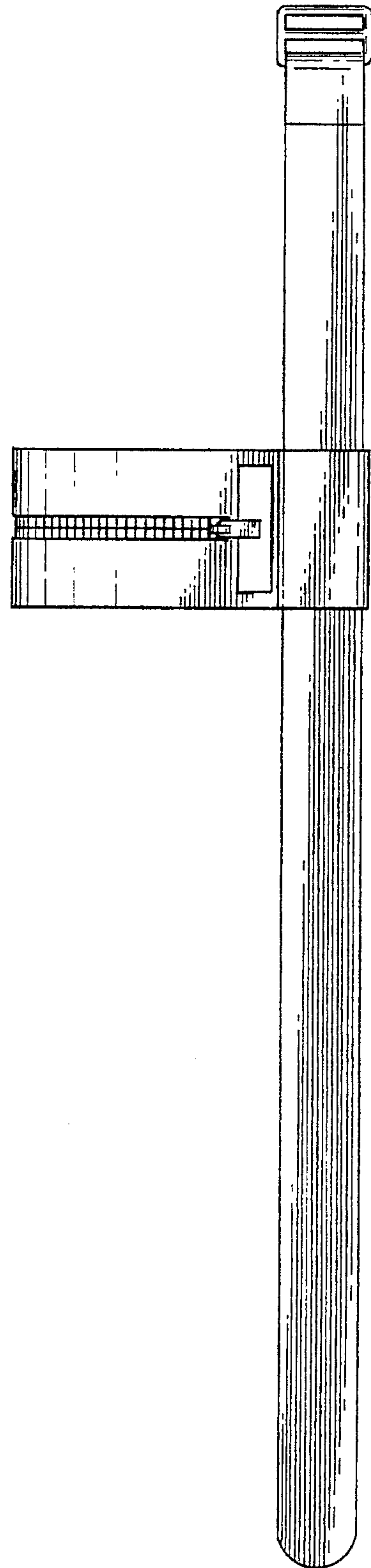


FIG. 3

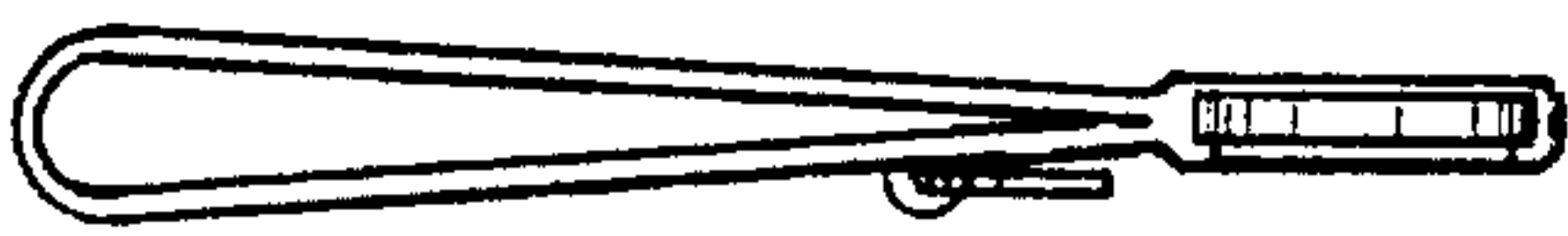


FIG. 4

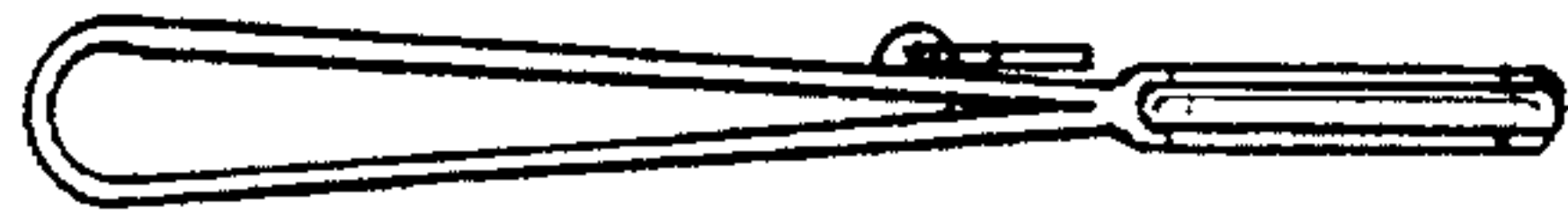


FIG. 5

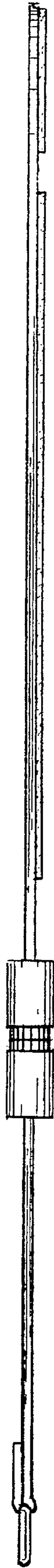


FIG. 6

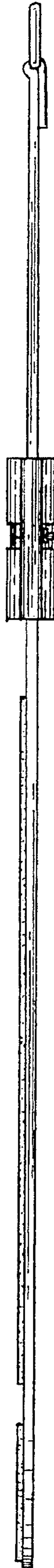


FIG. 7