



US00D370119S

United States Patent [19]

McDaniel

[11] Patent Number: **Des. 370,119**

[45] Date of Patent: ****May 28, 1996**

[54] **COMBINED KEY HOLDER AND LICENSE HOLDER**

4,674,628	6/1987	Prinsloo	206/38.1
4,739,877	4/1988	Olson	206/38.1
5,454,567	10/1995	Adell	D3/208

[76] Inventor: **Vivian M. McDaniel**, 1517 Fairfax Dr., Lafayette, Ind. 47905

Primary Examiner—Ralf Seifert
Attorney, Agent, or Firm—James A. Hudak

[**] Term: **14 Years**

[57] **CLAIM**

[21] Appl. No.: **34,544**

The ornamental design for a combined key holder and license holder, as shown and described.

[22] Filed: **Feb. 7, 1995**

[52] U.S. Cl. **D3/208**

DESCRIPTION

[58] **Field of Search** D3/207-212; 70/456 B, 70/458 R; 273/144 B; 206/38.1; 150/39

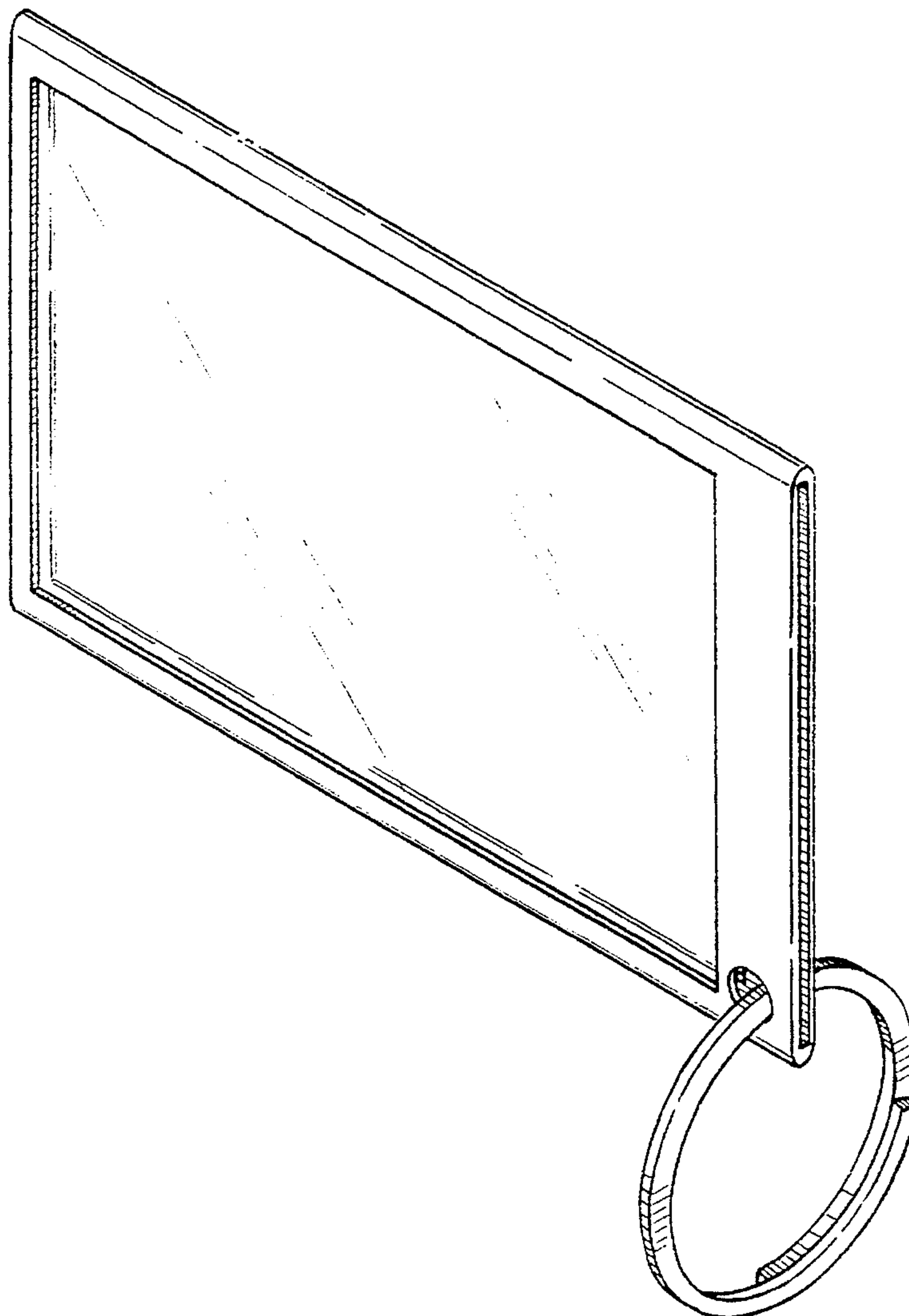
FIG. 1 is a perspective view of the combined key holder and license holder showing my new design;
FIG. 2 is a front elevational view thereof;
FIG. 3 is a rear elevational view thereof;
FIG. 4 is a right side elevational view thereof;
FIG. 5 is a left side elevational view thereof;
FIG. 6 is a top plan view thereof; and,
FIG. 7 is a bottom plan view thereof.

[56] **References Cited**

U.S. PATENT DOCUMENTS

D. 300,582	4/1989	Hodge	D3/208
D. 308,291	6/1990	O'Neal	D3/208
D. 308,757	6/1990	Sanford	D3/208
D. 324,954	3/1992	Lewis	D3/208
2,177,786	10/1939	Roemig	150/39
2,571,609	10/1951	Powell	D3/208

1 Claim, 3 Drawing Sheets



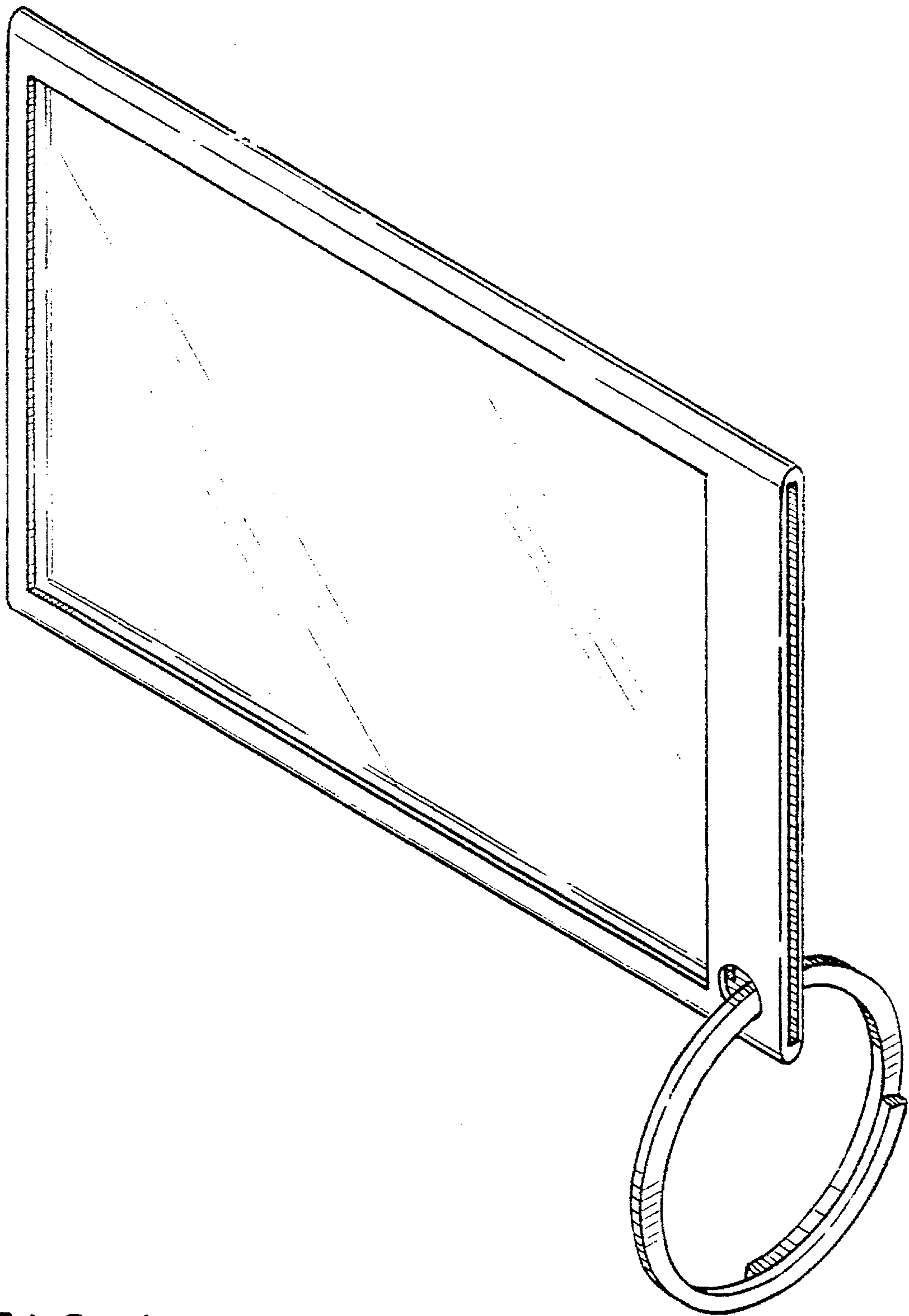


FIG. 1

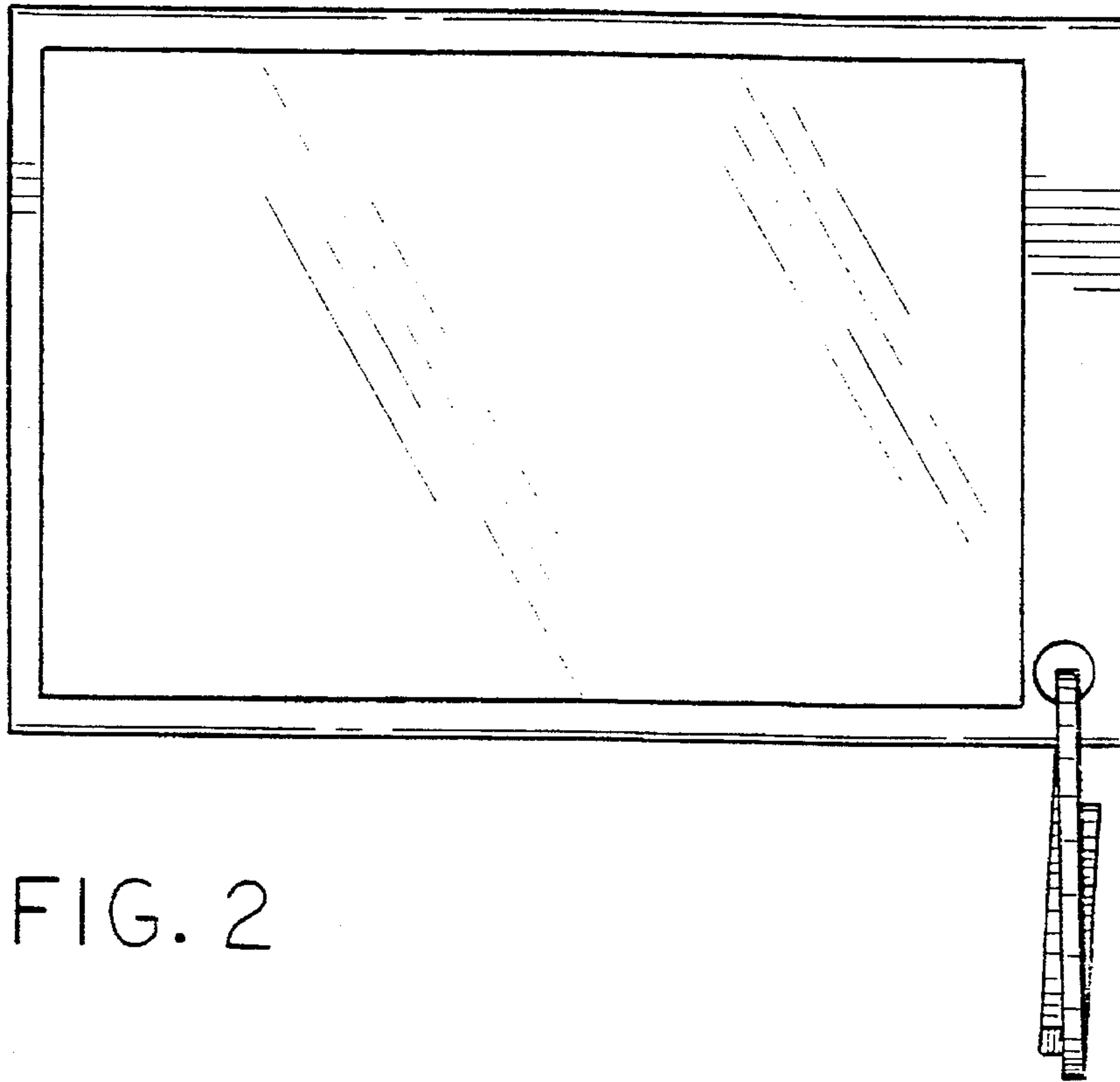


FIG. 2

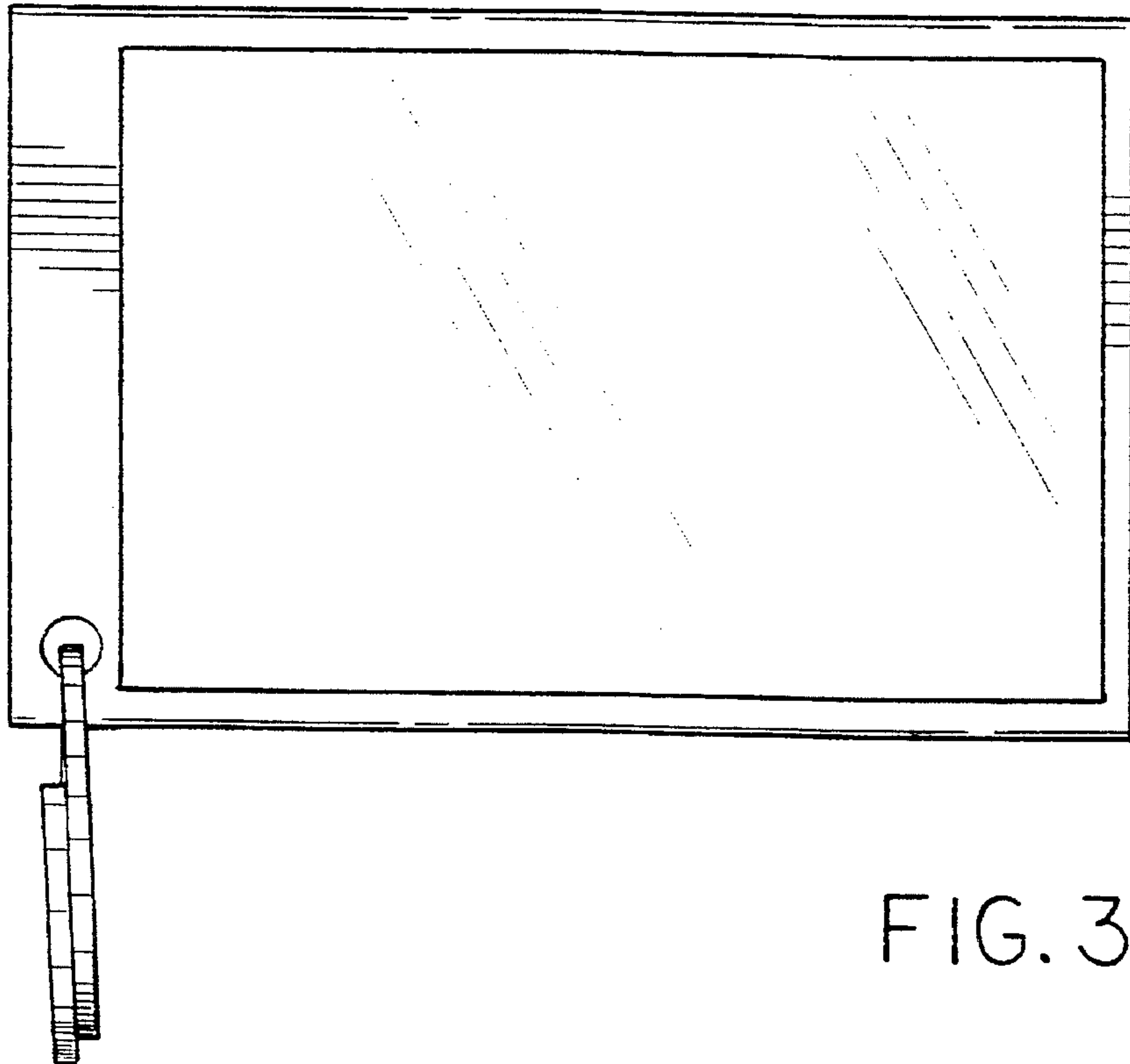


FIG. 3

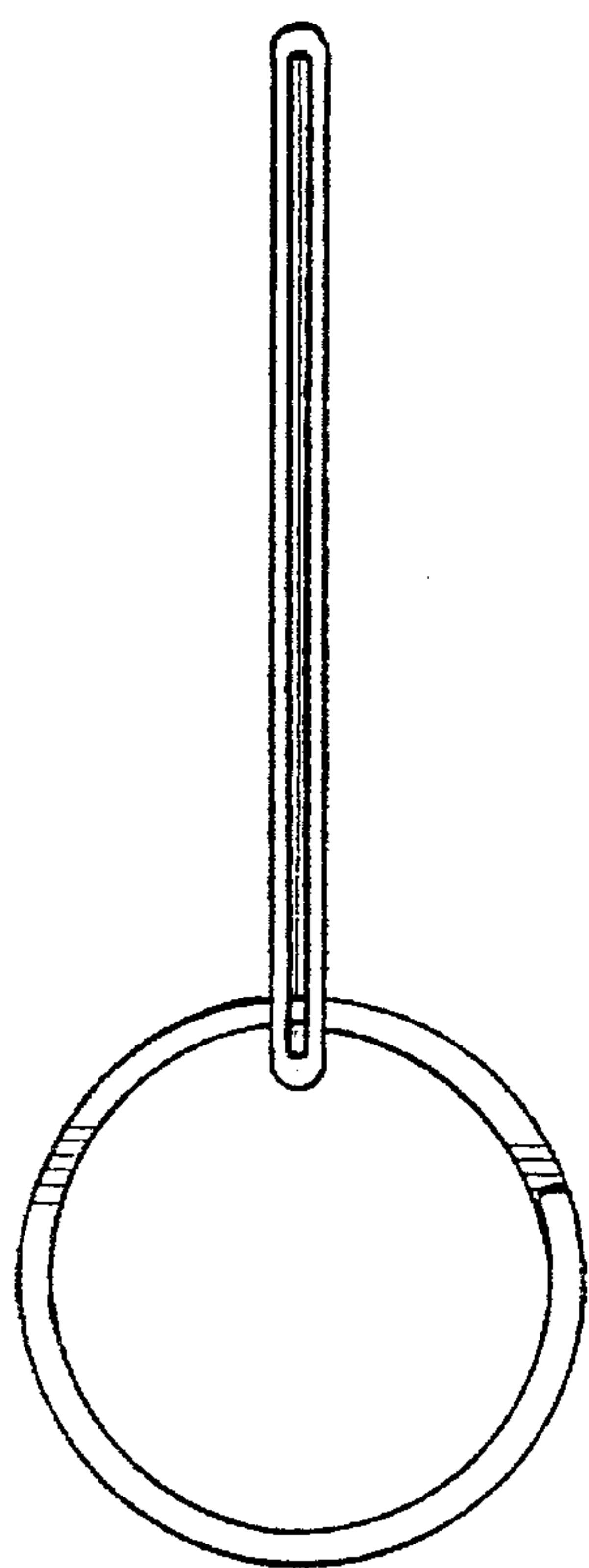


FIG. 4

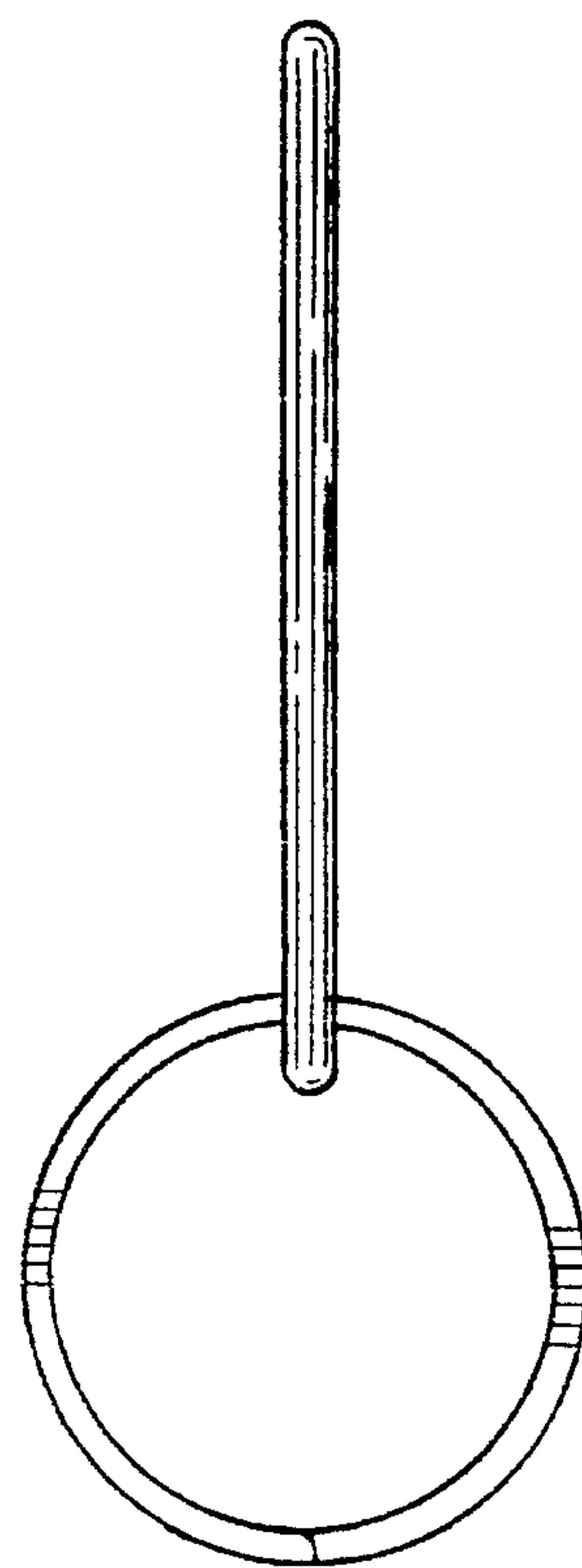


FIG. 5

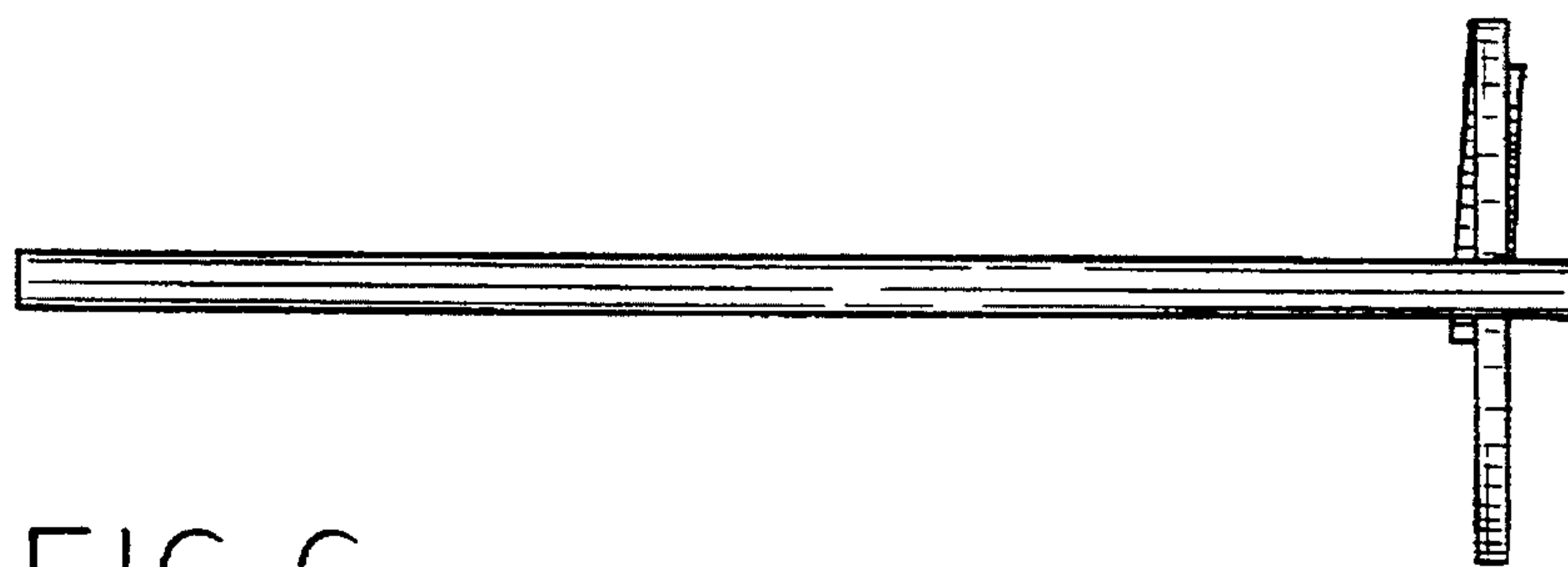


FIG. 6

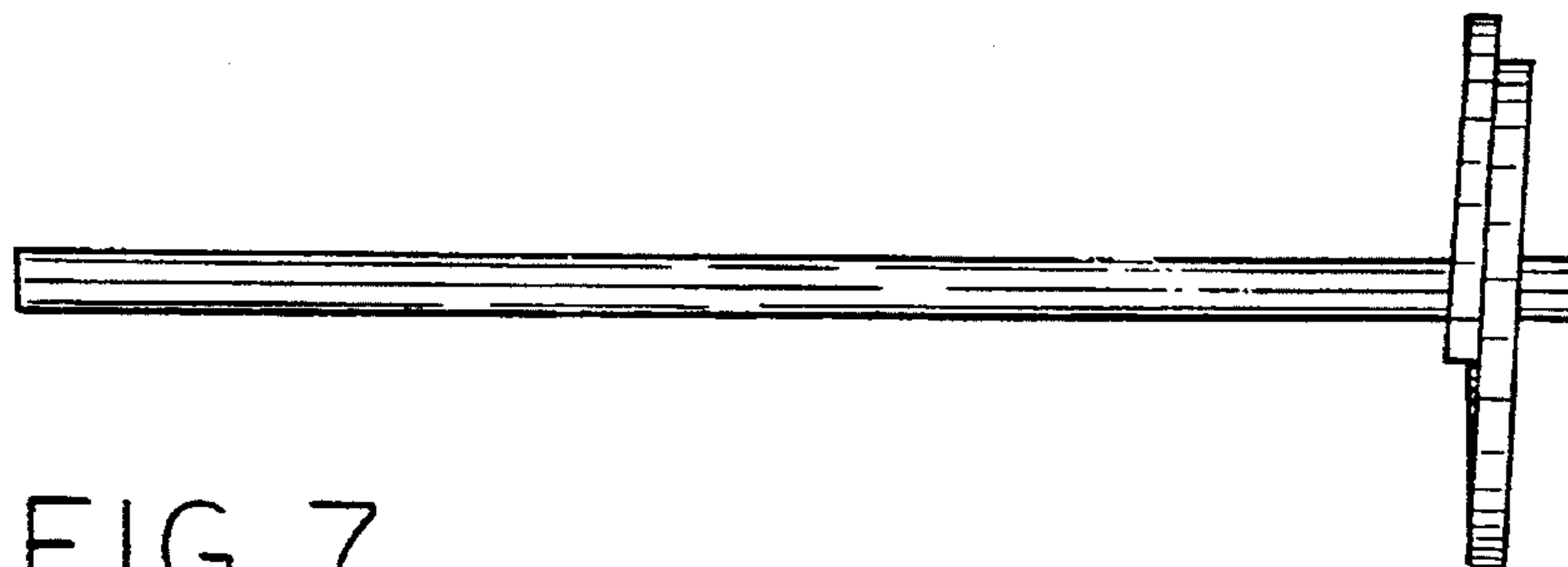


FIG. 7