



US00D370110S

# United States Patent [19]

[11] Patent Number: **Des. 370,110**

**Beam**

[45] Date of Patent: **\*\*May 21, 1996**

[54] **SHOPPING CART HANDLE COVER**

1,876,993 9/1932 Manning ..... D8/322  
4,805,937 2/1989 Boucher et al. .... 280/33.992

[76] Inventor: **Karen L. Beam**, 1725 Nottingham Rd.,  
Raleigh, N.C. 27607

*Primary Examiner*—Kay H. Chin

[\*\*] Term: **14 Years**

[57] **CLAIM**

[21] Appl. No.: **34,132**

The ornamental design for a shopping cart handle cover, as shown and described.

[22] Filed: **Jan. 27, 1995**

### DESCRIPTION

[52] U.S. Cl. .... **D34/27; D8/322**

[58] Field of Search ..... D34/27; D8/322,  
D8/321; D6/607; 297/229, 219.12, 219.1,  
219.11, 250.1, DIG. 6; 16/DIG. 12, 110 R,  
111 R, 111 A

FIG. 1 is a front elevational view of the shopping cart handle cover showing my new design;

FIG. 2 is a rear elevational view thereof;

FIG. 3 is a left side elevational view thereof;

FIG. 4 is a right side elevational view thereof;

FIG. 5 is a top plan view thereof;

FIG. 6 is a bottom plan view thereof; and,

FIG. 7 is an isometric view showing a use thereof.

### [56] References Cited

#### U.S. PATENT DOCUMENTS

D. 328,812 8/1992 Pritchett ..... D34/27  
1,538,147 5/1925 Trench et al. .... 16/DIG. 12  
1,637,120 7/1927 Larson ..... 16/DIG. 12

**1 Claim, 4 Drawing Sheets**

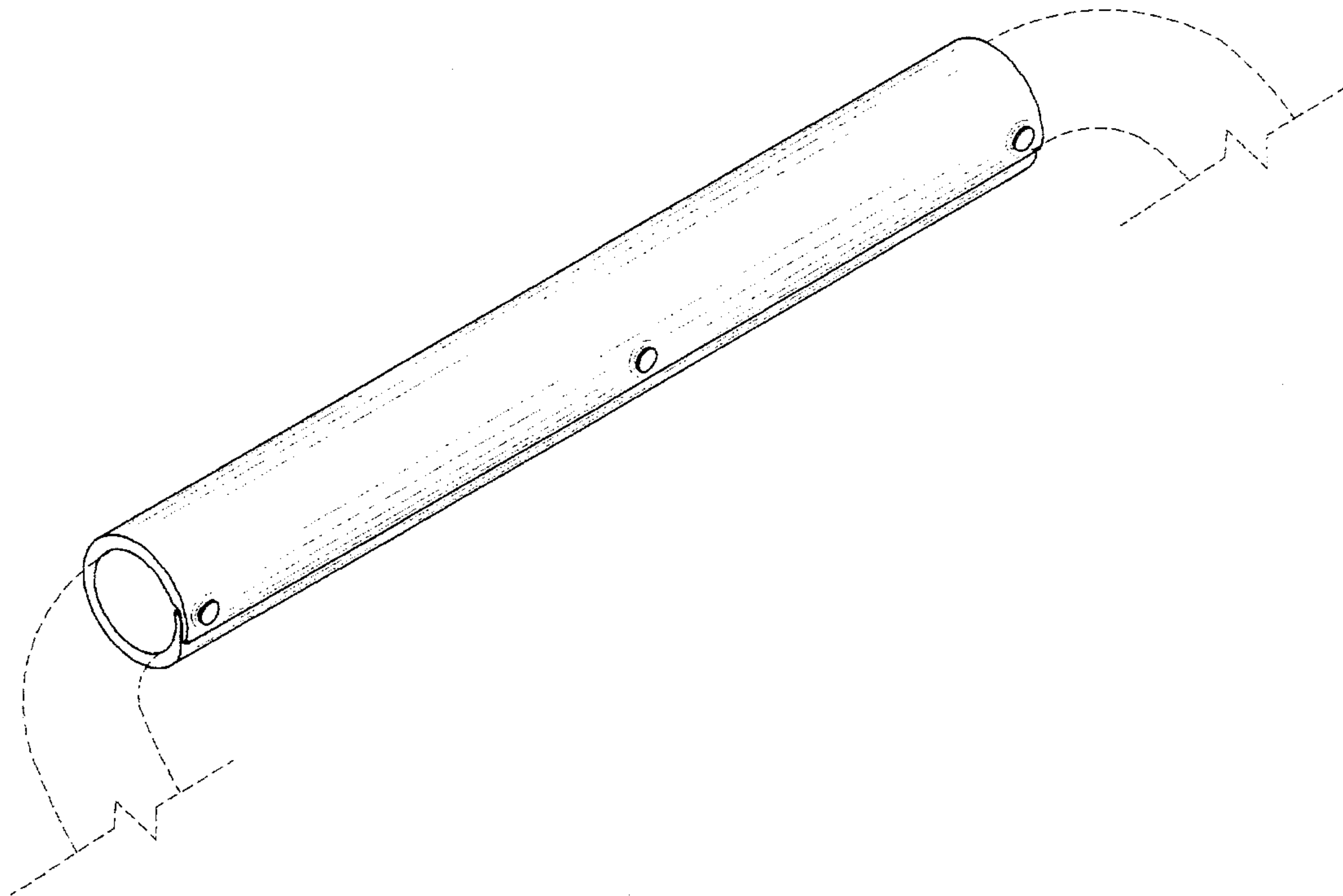


FIG. 1

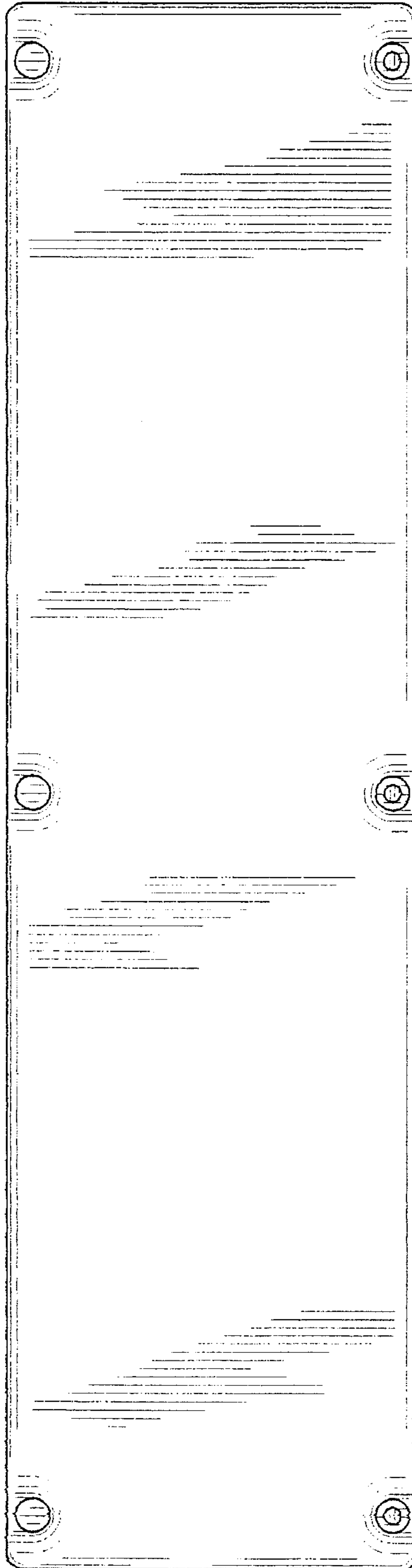
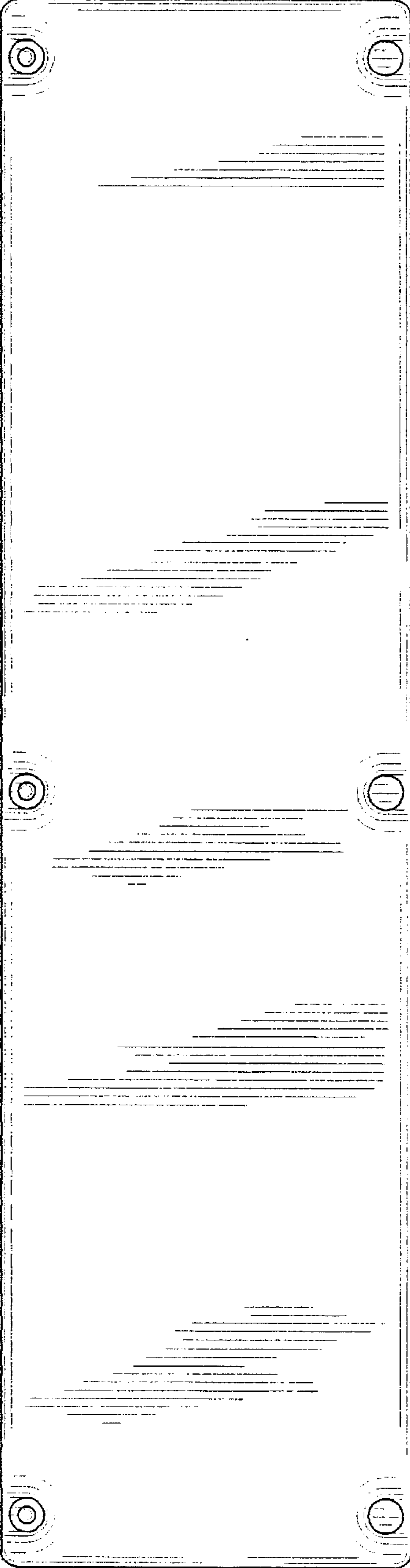


FIG. 2



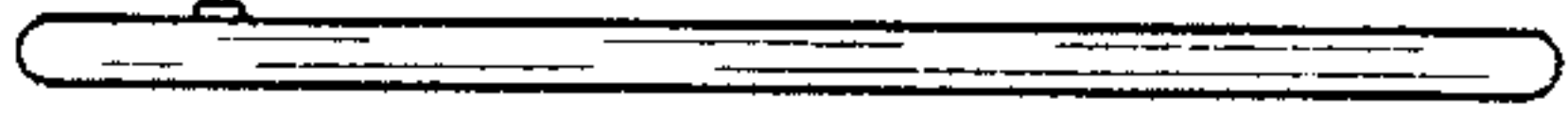


FIG. 3

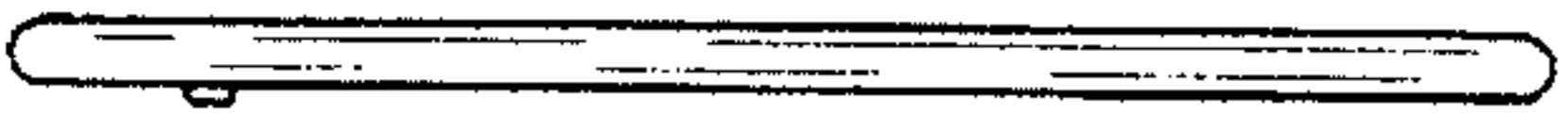


FIG. 4

FIG. 5



FIG. 6



FIG. 7

