



US00D370109S

United States Patent [19]
Hodges

[11] **Patent Number: Des. 370,109**

[45] **Date of Patent: **May 21, 1996**

[54] **VEHICLE DOLLY**

4,804,162 2/1989 Rice 248/671
4,872,694 10/1989 Griesinger 280/79.4

[76] Inventor: **Douglas Hodges**, 44200 Kingtree Ave.,
Unit 7, Lancaster, Calif. 93534

Primary Examiner—Kay H. Chin
Attorney, Agent, or Firm—Roger A. Marrs

[**] Term: **14 Years**

[57] **CLAIM**

[21] Appl. No.: **29,383**

The ornamental design for vehicle dolly, as shown.

[22] Filed: **Oct. 4, 1994**

DESCRIPTION

[52] U.S. Cl. **D34/23; D34/31**

[58] Field of Search D34/12-27, 31;
280/79.11, 79.4, 79.3; 248/671, 649, 129

FIG. 1 is a front perspective view showing my new design
for a vehicle dolly;

FIG. 2 is a front elevational view thereof; and,

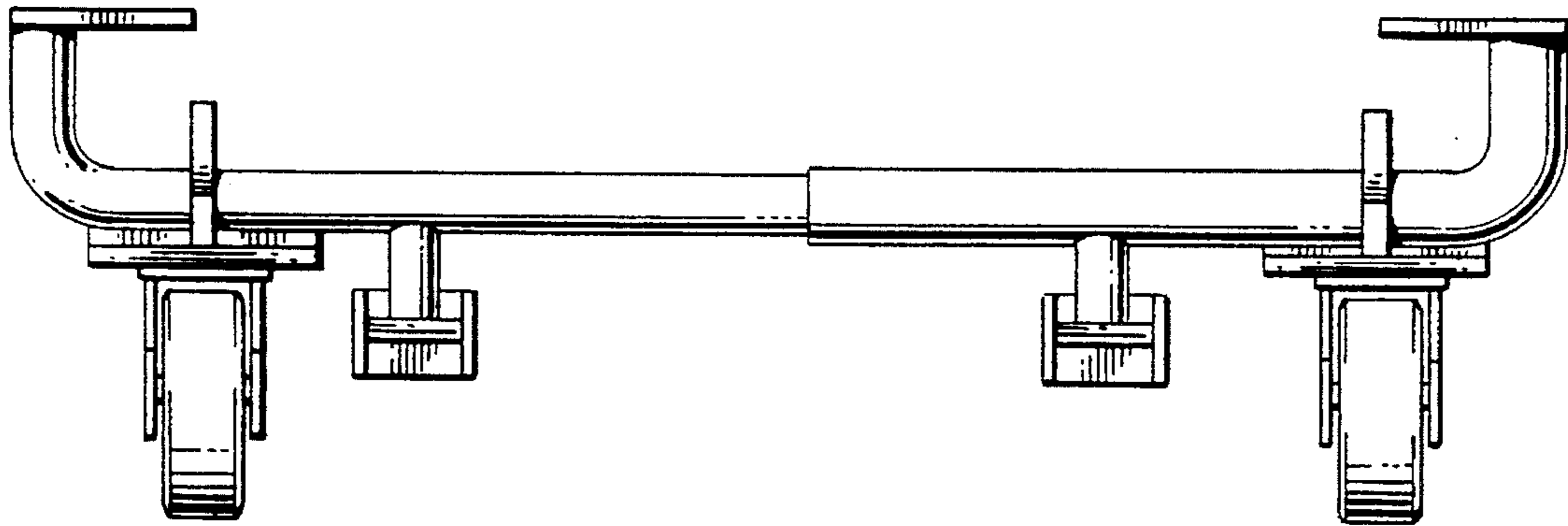
FIG. 3 is a rear elevational view thereof.

[56] **References Cited**

U.S. PATENT DOCUMENTS

4,572,531 2/1986 Elia 280/79.11

1 Claim, 1 Drawing Sheet



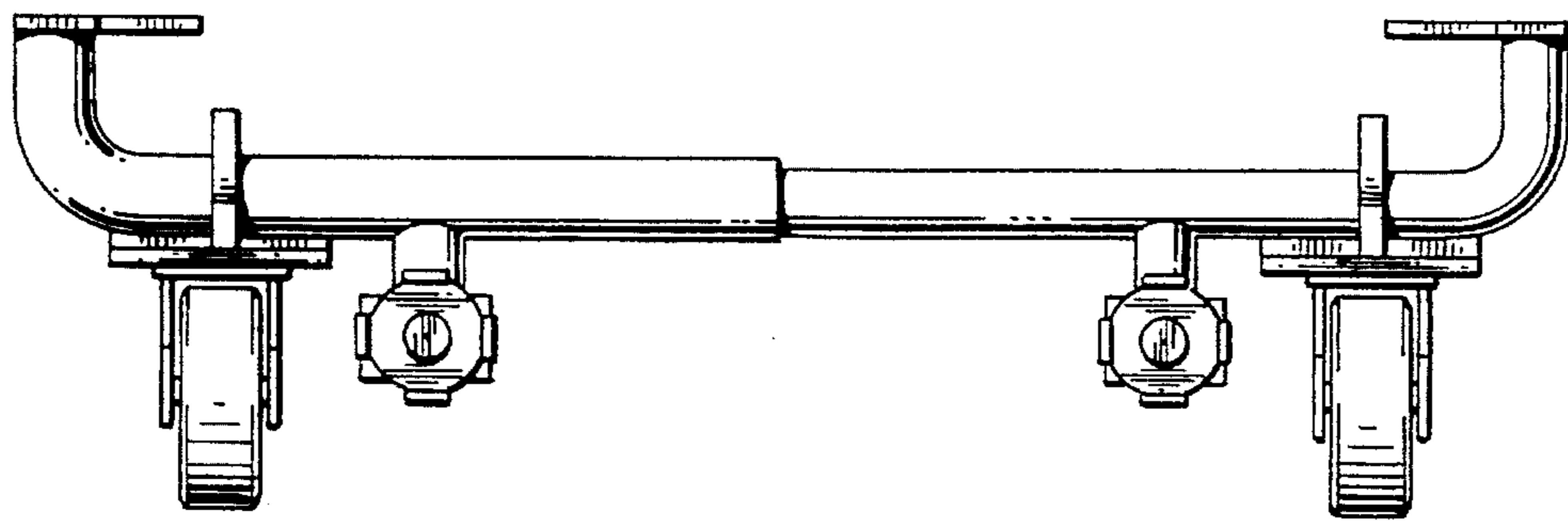
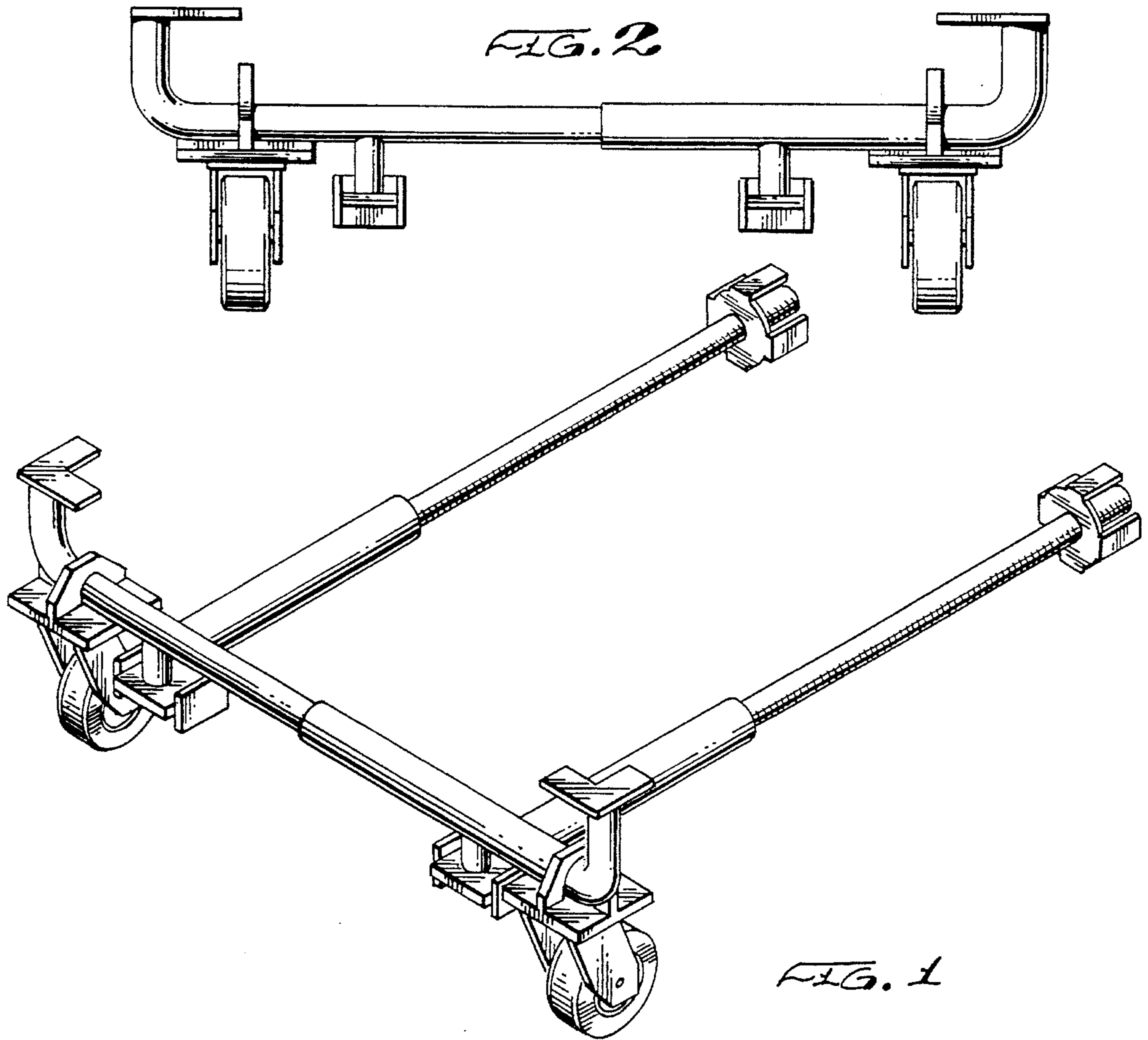


FIG. 3