



US00D370108S

United States Patent [19]

[11] Patent Number: **Des. 370,108**

Brightbill et al.

[45] Date of Patent: ****May 21, 1996**

[54] WASTEBASKET LID

[75] Inventors: **Keith E. Brightbill**, Wooster; **Stephen P. Casteel**, Wadsworth, both of Ohio; **Henry Y. Chin**, Portland, Oreg.; **Charles W. Craft**, Apple Creek, Ohio; **Robert O. Dillon**, Venice, Calif.

[73] Assignee: **Rubbermaid Incorporated**, Wooster, Ohio

[**] Term: **14 Years**

[21] Appl. No.: **32,333**

[22] Filed: **Dec. 16, 1994**

[52] U.S. Cl. **D34/11**

[58] Field of Search D34/1, 5, 7-11; D9/434-35, 443; 220/908-911, 694, 696, 700, 701, 758, 775

[56] References Cited

U.S. PATENT DOCUMENTS

D. 200,360	2/1965	Desiner	D34/11
D. 231,426	4/1974	Mele et al.	D34/11
D. 233,127	10/1974	Karn	D7/194
D. 246,566	12/1977	Skiver	D7/194
D. 271,248	11/1983	Maza et al.	D34/8
D. 276,753	12/1984	Maza et al.	D34/11
D. 280,459	9/1985	McClelland	D34/8
D. 280,857	10/1985	Fuller et al.	D34/11
D. 293,843	1/1988	Kroll et al.	D34/8
D. 308,273	5/1990	Hanna	D34/11
D. 312,523	11/1990	Delmerico et al.	D34/7
D. 318,354	7/1991	Delmerico	D34/7
D. 321,576	11/1991	Hradisky	D34/8
D. 331,134	11/1992	Hradisky	D34/11
D. 343,267	1/1994	Craft et al.	D34/11
3,083,859	4/1963	Gardiner	220/30
3,219,227	11/1965	Deisner	220/31
3,860,241	1/1975	Hawk	220/908
4,032,037	6/1977	Dubery et al.	220/335
4,776,478	10/1988	Miller et al.	220/1
5,172,823	12/1992	Moeteli	220/334

OTHER PUBLICATIONS

Sell sheet, Wastebasket lid; Sterilite Corporation, P.O. Box 524, Main Street, Townsend, Massachusetts. Published at least as early as Jan. 17, 1990.

Sell sheet, Wastebasket lids; Umbra, address unknown. Publication date 1990.

Sell sheet, Wastebasket lids; Placewares, 351 Congree Street, Boston, Massachusetts 02210. Publication date 1990. Page 2, Wastebasket lids; F. H. Lawson Co., 801 Evans Street, Cincinnati, Ohio 45204. Publication date 1987.

Catalog page, Wastebasket lid; Polder, Inc., 200 Central Park Avenue, P.O. Box 456, Hartsdale, New York 10530. Publication date Jan. 1, 1991.

Pp. 3, 5, 6 and 7, Wastebasket lids; Continental Manufacturing Company, 123 Byassee Drive, Hazelwood, Missouri 63042. Published at least as early as Oct. 1994.

P. 5, Wastebasket lids; Curver, Takkebijsters 75, Postbus 6810, 4801 HV Breda, The Netherlands. Publication date 1991.

P. 6, Wastebasket lid; Dupol-Rubbermaid GmbH, An der Trift 63, D-6072 Dreieich, Germany. Publication date 1989.

(List continued on next page.)

Primary Examiner—A. Hugo Word

Assistant Examiner—Robin V. Taylor

Attorney, Agent, or Firm—Richard B. O'Planick; Lisa B. Riedesel

[57] CLAIM

The ornamental design for a wastebasket lid, as shown and described.

DESCRIPTION

FIG. 1 is a top right front perspective view of a wastebasket lid showing our new design;

FIG. 2 is a front elevational view thereof;

FIG. 3 is a top plan view thereof;

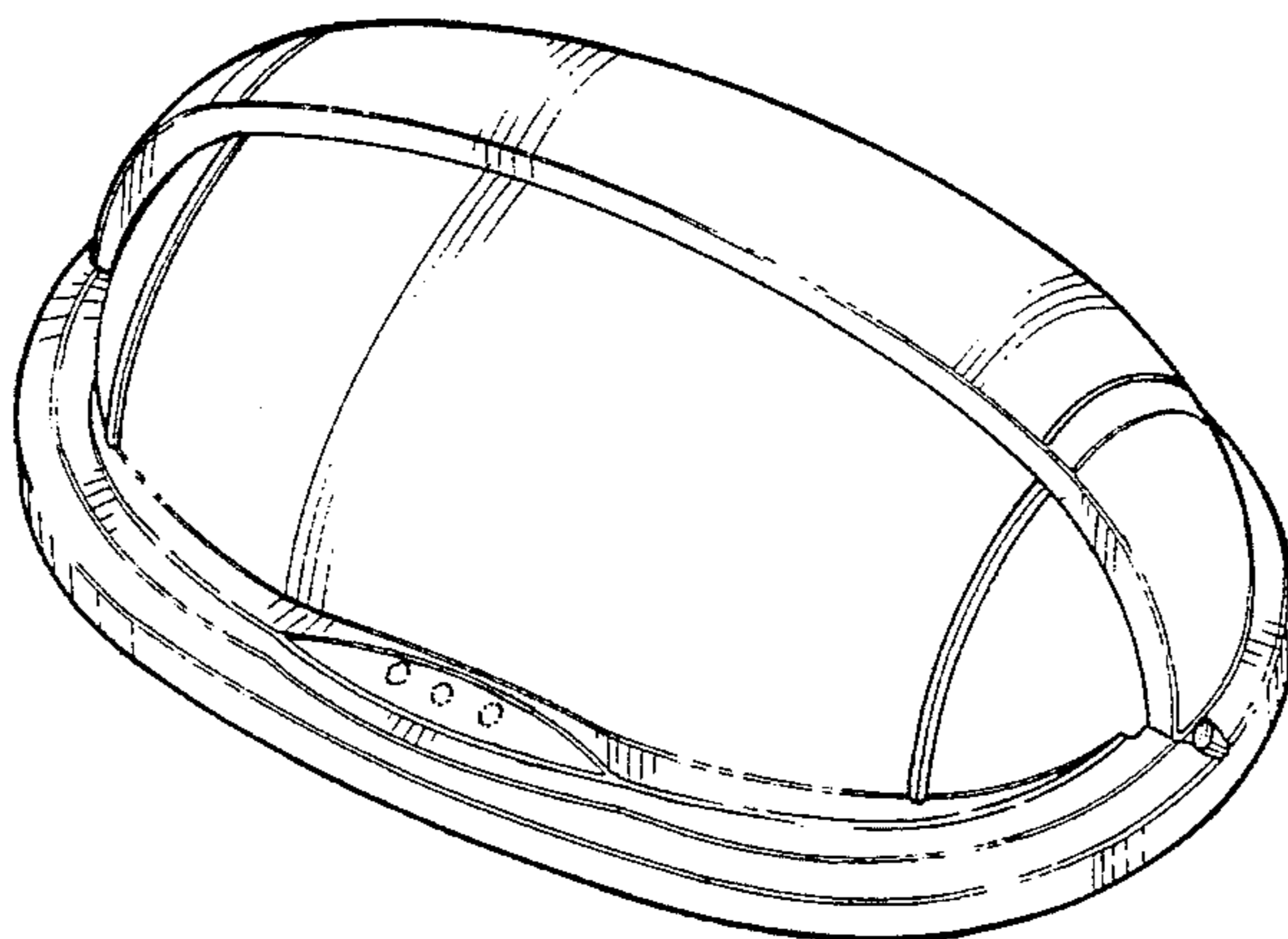
FIG. 4 is a right side elevational view thereof; the left side elevational view being a mirror image;

FIG. 5 is a rear elevational view thereof; and,

FIG. 6 is a bottom plan view thereof.

The broken line showing of a finger grip is for illustrative purposes only and forms no part of the claimed design.

1 Claim, 3 Drawing Sheets



OTHER PUBLICATIONS

Pp. 9 and 16, Wastebasket lids; Rubbermaid Commercial Products Inc., 3124 Valley Avenue, Winchester, Virginia 22601. Publication date 1992.

P. 12, Wastebasket lids; Tucker Housewares, 25 Tucker Drive, Leominster, Massachusetts 01469. Publication date Jan., 1983.

P. 67, Wastebasket lids; Iwasaki Industry Inc., No. 26 Showa Kogyo Danchi 1216-5, Nukatabe Kita-machi, Yamato-Koriyama, Nara, 639-11 Japan. Publication date 1990.

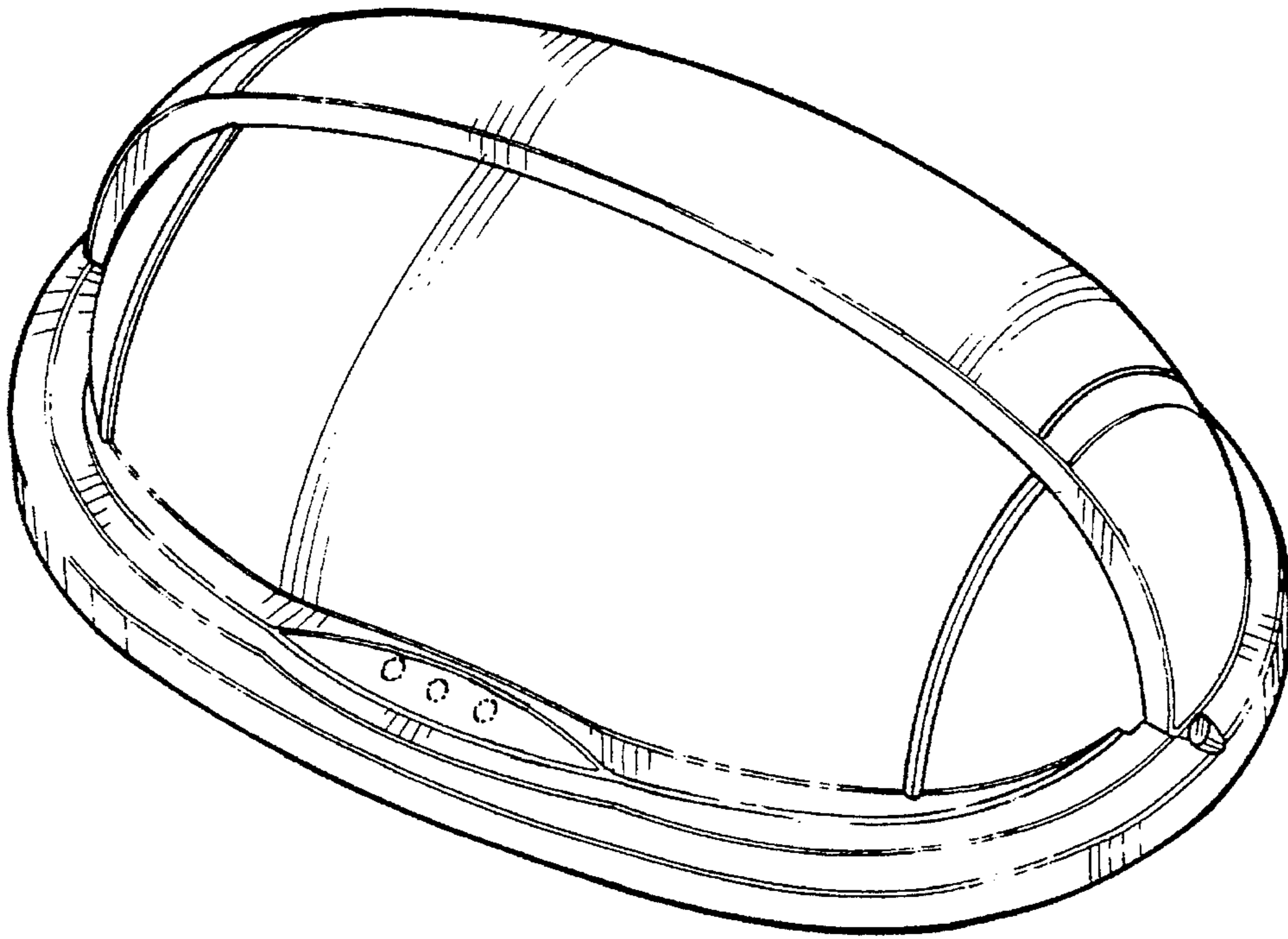


Fig-1

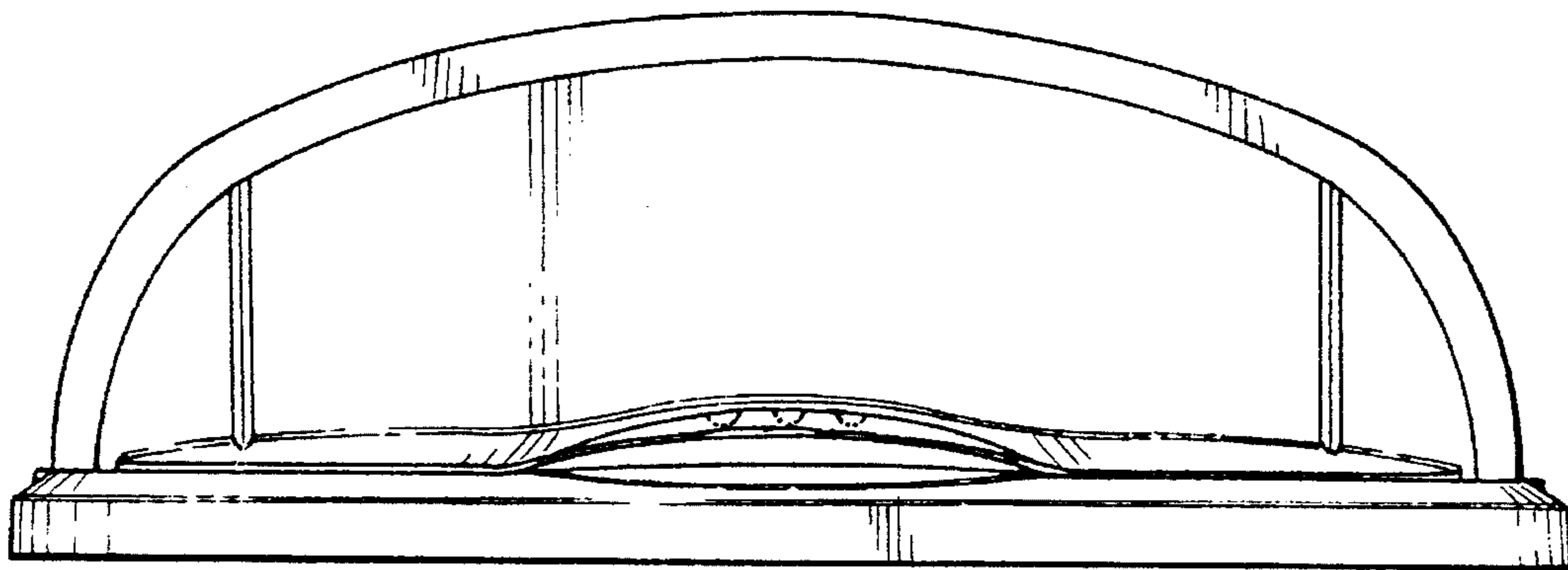


Fig-2

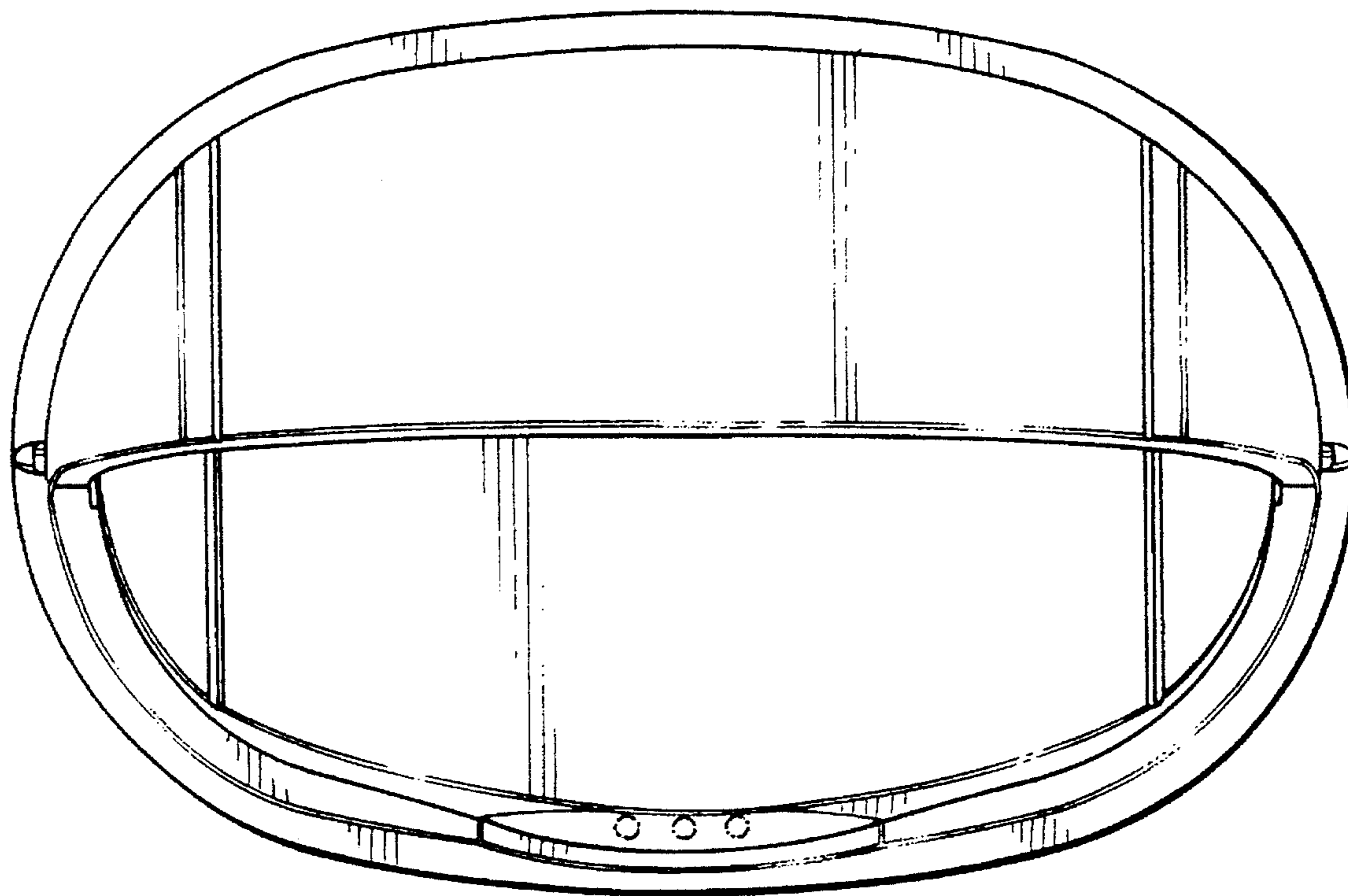


Fig-3

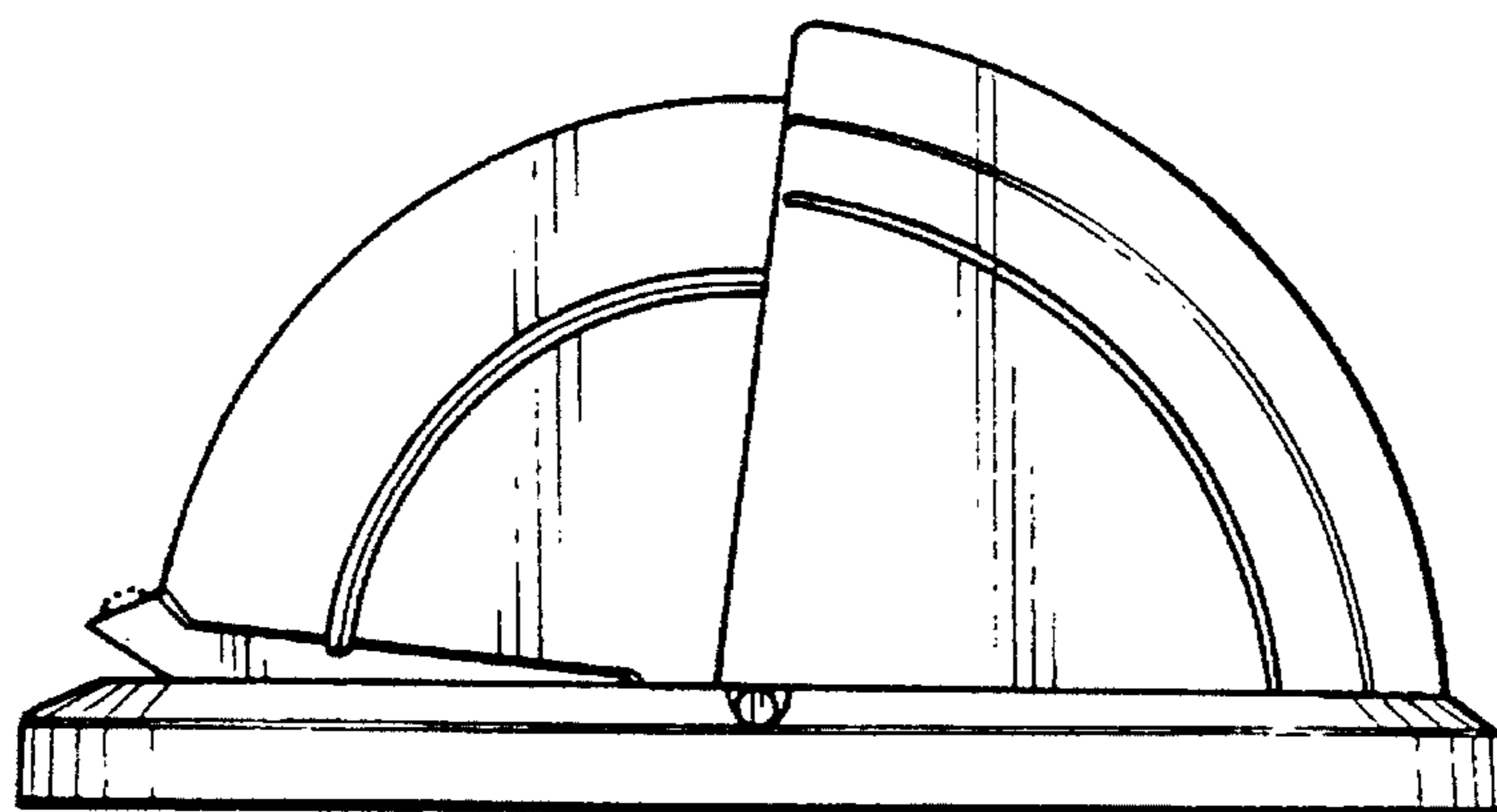


Fig-4

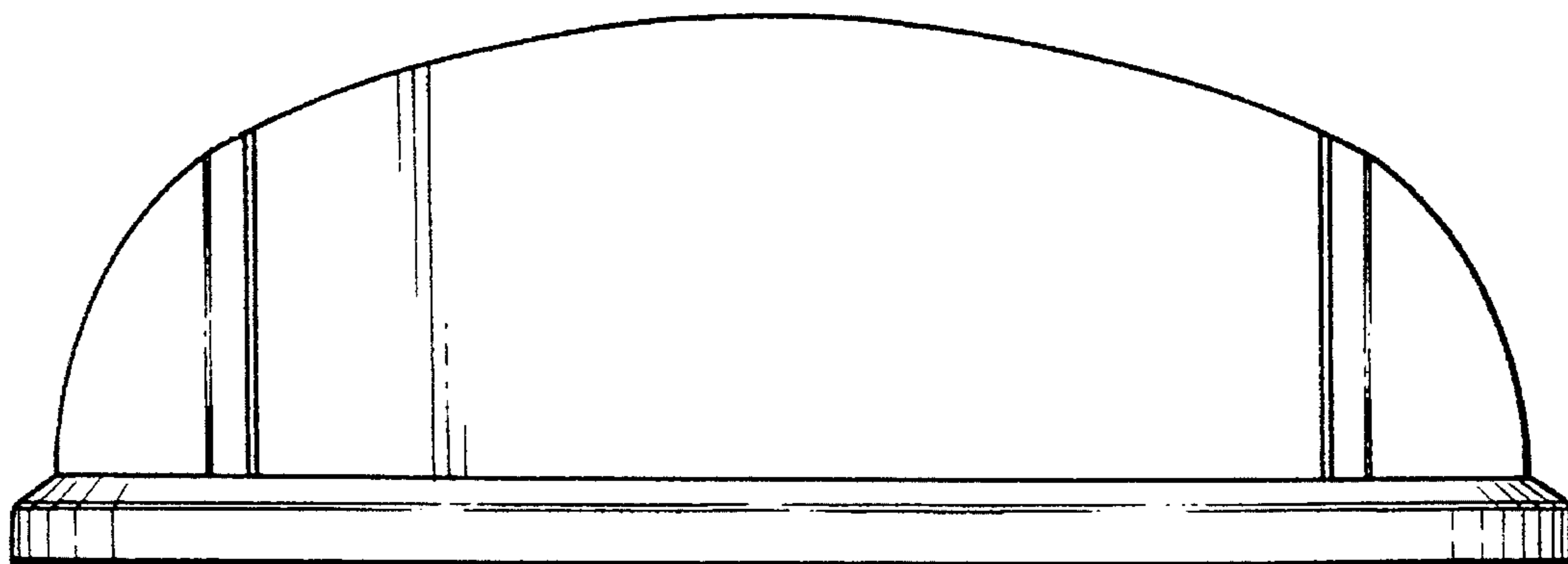


Fig-5

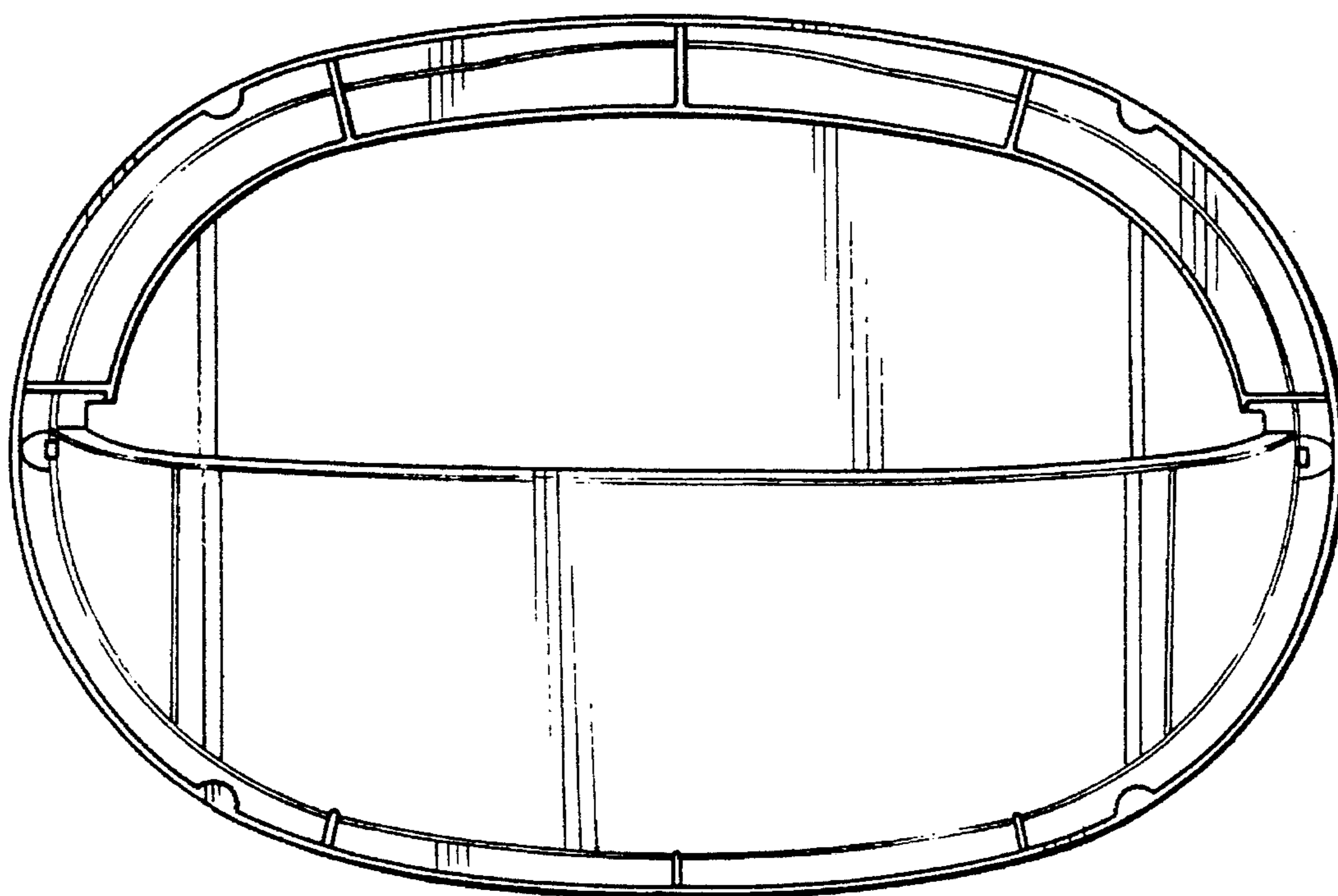


Fig-6